



US00D963246S

(12) **United States Design Patent** (10) **Patent No.:** **US D963,246 S**  
**Van Roosmalen et al.** (45) **Date of Patent:** **\*\* Sep. 6, 2022**

(54) **HEAD FOR SHAVER**

(71) Applicant: **KONINKLIJKE PHILIPS N.V.**,  
Eindhoven (NL)  
(72) Inventors: **Jos Van Roosmalen**, Amsterdam (NL);  
**Frank Verbrugge**, Rosmalen (NL);  
**Jens Andersson**, Amsterdam (NL);  
**Roel Krooshof**, Bilthoven (NL); **Simon Van Anken**, Amsterdam (NL); **Peter Gal**, Amsterdam (NL); **Lieven Adriaenssen**, Vilvoorde (BE); **Roshan Hakkim**, Amsterdam (NL); **Mingshuo Zhang**, Amstelveen (NL)

(73) Assignee: **KONINKLIJKE PHILIPS N.V.**,  
Eindhoven (NL)

(\*\*) Term: **15 Years**

(21) Appl. No.: **29/725,759**

(22) Filed: **Feb. 27, 2020**

(30) **Foreign Application Priority Data**

Aug. 29, 2019 (EM) ..... 006781803

(51) **LOC (13) Cl.** ..... **28-03**

(52) **U.S. Cl.**  
USPC ..... **D28/54**

(58) **Field of Classification Search**  
USPC ..... D28/50-54

(Continued)

(56) **References Cited**

**U.S. PATENT DOCUMENTS**

D758,014 S \* 5/2016 Smith ..... D28/50  
D758,017 S \* 5/2016 Smith ..... D28/54

(Continued)

*Primary Examiner* — Jennifer Rivard

(57) **CLAIM**

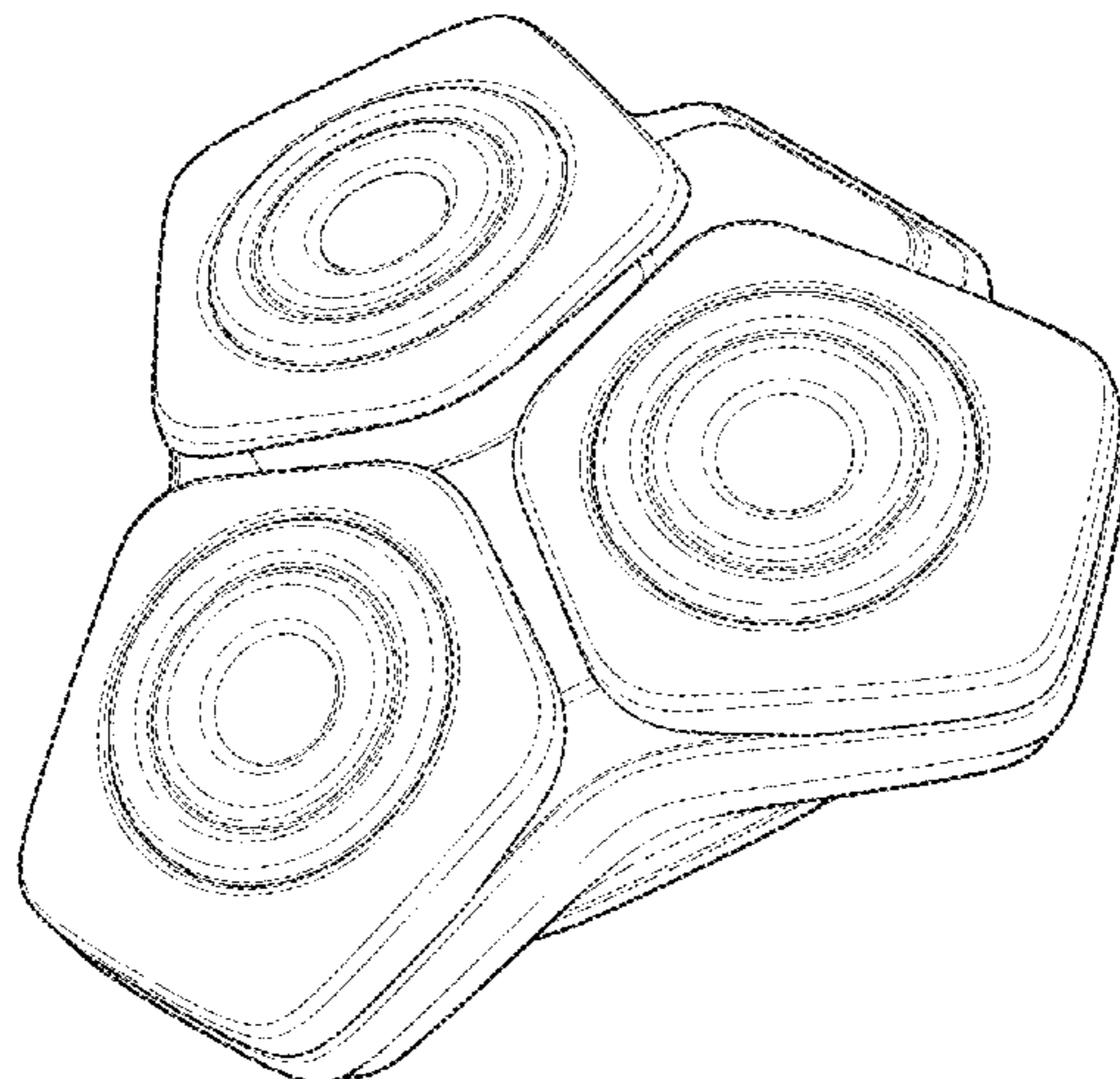
The ornamental design for a head for shaver, as shown and described.

**DESCRIPTION**

FIG. 1 is a perspective view of a first embodiment showing a head for shaver according to our design;

FIG. 2 is a front elevational view thereof;  
FIG. 3 is a rear elevational view thereof;  
FIG. 4 is a right side elevational view thereof;  
FIG. 5 is a left side elevational view thereof;  
FIG. 6 is a top plan view thereof;  
FIG. 7 is a bottom plan view thereof;  
FIG. 8 is a perspective view of a second embodiment showing a head for shaver according to our design;  
FIG. 9 is a front elevational view thereof;  
FIG. 10 is a rear elevational view thereof;  
FIG. 11 is a right side elevational view thereof;  
FIG. 12 is a left side elevational view thereof;  
FIG. 13 is a top plan view thereof;  
FIG. 14 is a bottom plan view thereof;  
FIG. 15 is a perspective view of a third embodiment showing a head for shaver according to our design;  
FIG. 16 is a front elevational view thereof;  
FIG. 17 is a rear elevational view thereof;  
FIG. 18 is a right side elevational view thereof;  
FIG. 19 is a left side elevational view thereof;  
FIG. 20 is a top plan view thereof;  
FIG. 21 is a bottom plan view thereof;  
FIG. 22 is a perspective view of a fourth embodiment showing a head for shaver according to our design;  
FIG. 23 is a front elevational view thereof;  
FIG. 24 is a rear elevational view thereof;  
FIG. 25 is a right side elevational view thereof;  
FIG. 26 is a left side elevational view thereof;  
FIG. 27 is a top plan view thereof;  
FIG. 28 is a bottom plan view thereof;  
FIG. 29 is a perspective view of a fifth embodiment showing a head for shaver according to our design;  
FIG. 30 is a front elevational view thereof;  
FIG. 31 is a rear elevational view thereof;  
FIG. 32 is a right side elevational view thereof;  
FIG. 33 is a left side elevational view thereof;  
FIG. 34 is a top plan view thereof;  
FIG. 35 is a perspective view of a sixth embodiment showing a head for shaver according to our design;  
FIG. 36 is a front elevational view thereof;  
FIG. 37 is a rear elevational view thereof;  
FIG. 38 is a right side elevational view thereof;  
FIG. 39 is a left side elevational view thereof; and,  
FIG. 40 is a top plan view thereof.

(Continued)



The portions of the head for shaver shown in broken lines are included for the purpose of illustrating unclaimed portions of the head for shaver and form no part of the claimed design.

**1 Claim, 24 Drawing Sheets**

(58) **Field of Classification Search**

CPC ..... B26B 19/14-18; B26B 19/3846; B26B 19/3873-3893; B26B 19/3853-3866

See application file for complete search history.

(56) **References Cited**

U.S. PATENT DOCUMENTS

D777,375 S \* 1/2017 Frankel ..... D28/50  
D777,376 S \* 1/2017 Frankel ..... D28/50

9,919,437 B2 \* 3/2018 Veltman ..... B26B 19/388  
D848,072 S \* 5/2019 Prat-Pfister ..... D28/50  
10,357,890 B2 \* 7/2019 Yan ..... B26B 19/3866  
10,471,612 B2 \* 11/2019 Shimizu ..... B26B 19/146  
D880,064 S \* 3/2020 Andersson ..... D28/50  
D884,972 S \* 5/2020 Andersson ..... D28/50  
D889,042 S \* 6/2020 Andersson ..... D28/50  
10,926,425 B2 \* 2/2021 Zak ..... B26B 19/3846  
D912,902 S \* 3/2021 Andersson ..... D28/50  
D914,290 S \* 3/2021 Kulshreshtha ..... D28/50  
10,946,536 B2 \* 3/2021 Winters ..... B26B 19/146  
D932,697 S \* 10/2021 Van Roosmalen ..... D28/50  
D932,698 S \* 10/2021 Van Roosmalen ..... D28/50  
D932,699 S \* 10/2021 Van Roosmalen ..... D28/50  
D932,700 S \* 10/2021 Van Roosmalen ..... D28/50  
D933,894 S \* 10/2021 Van Roosmalen ..... D28/50  
D934,502 S \* 10/2021 Van Roosmalen ..... D28/50  
2021/0069920 A1 \* 3/2021 Kulshreshtha ..... B26B 19/386

\* cited by examiner

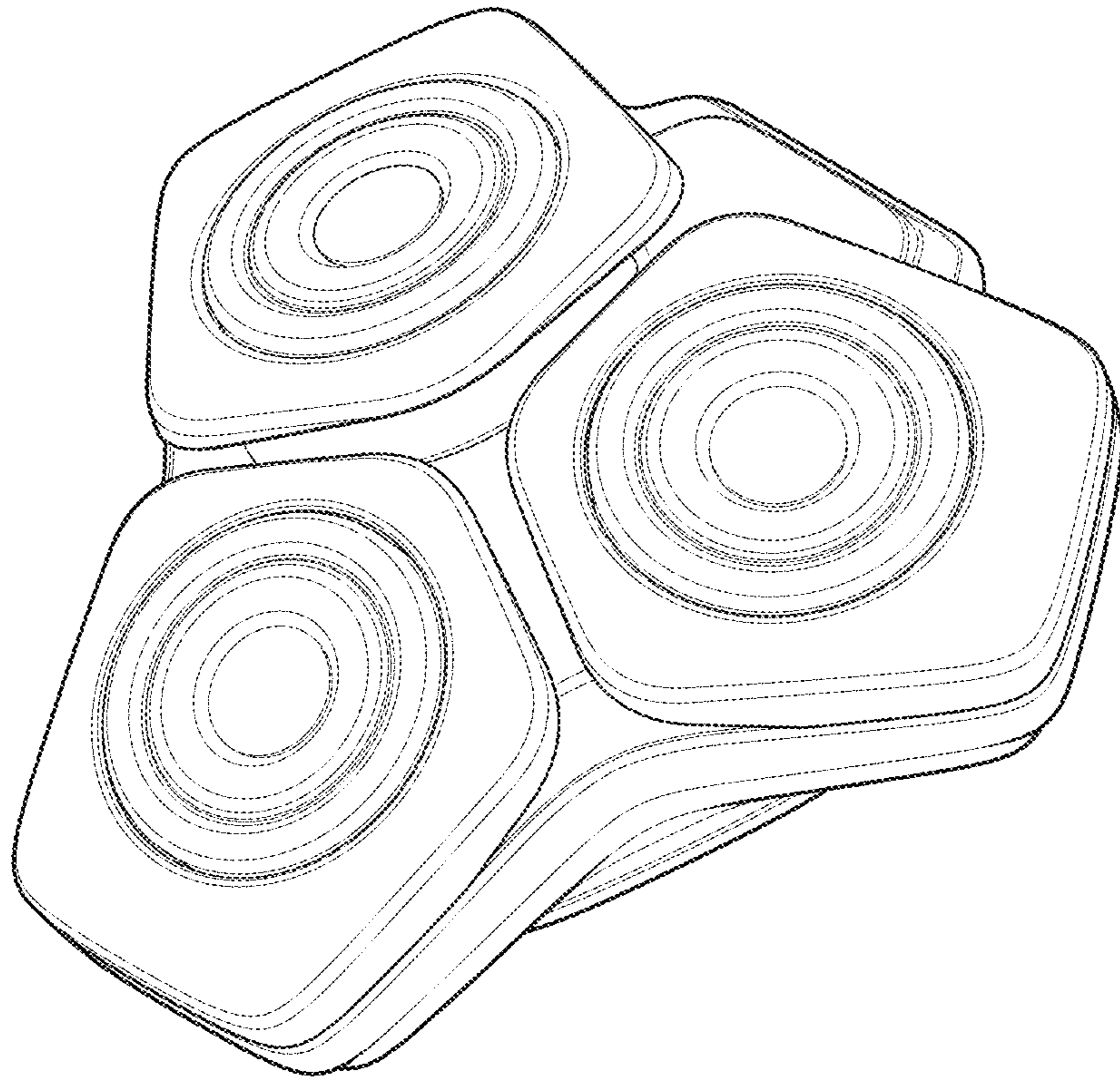


FIG. 1



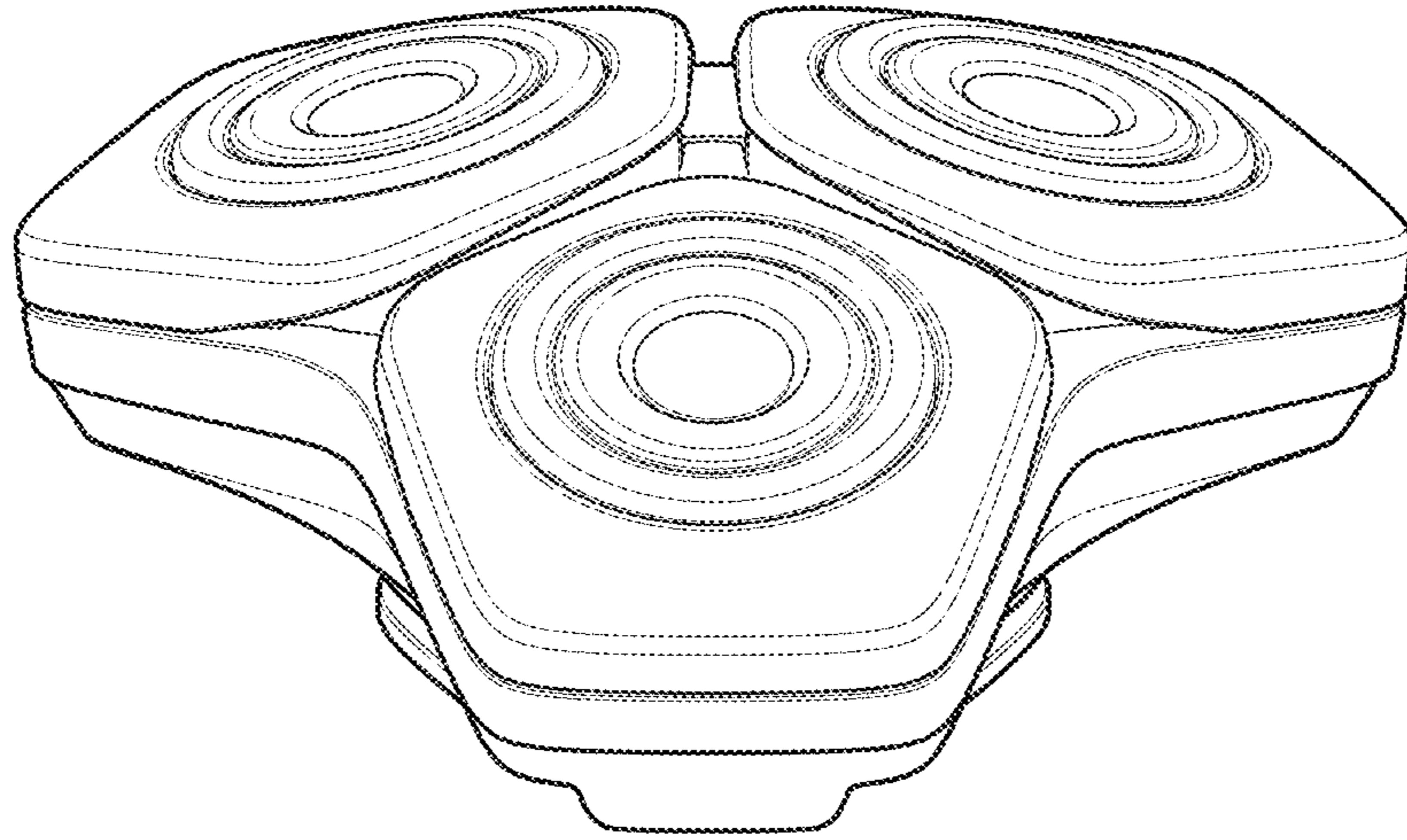


FIG. 2

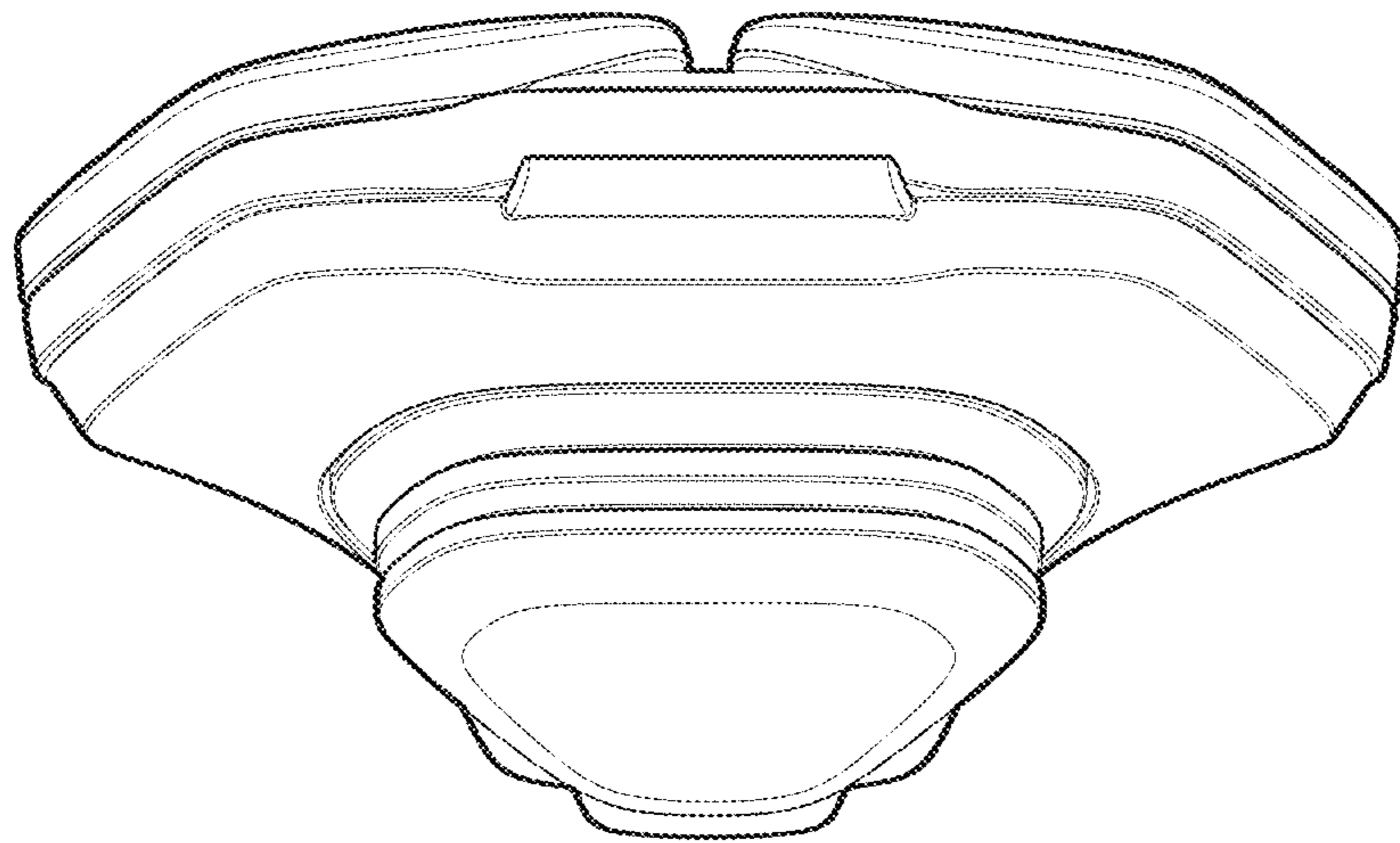


FIG. 3

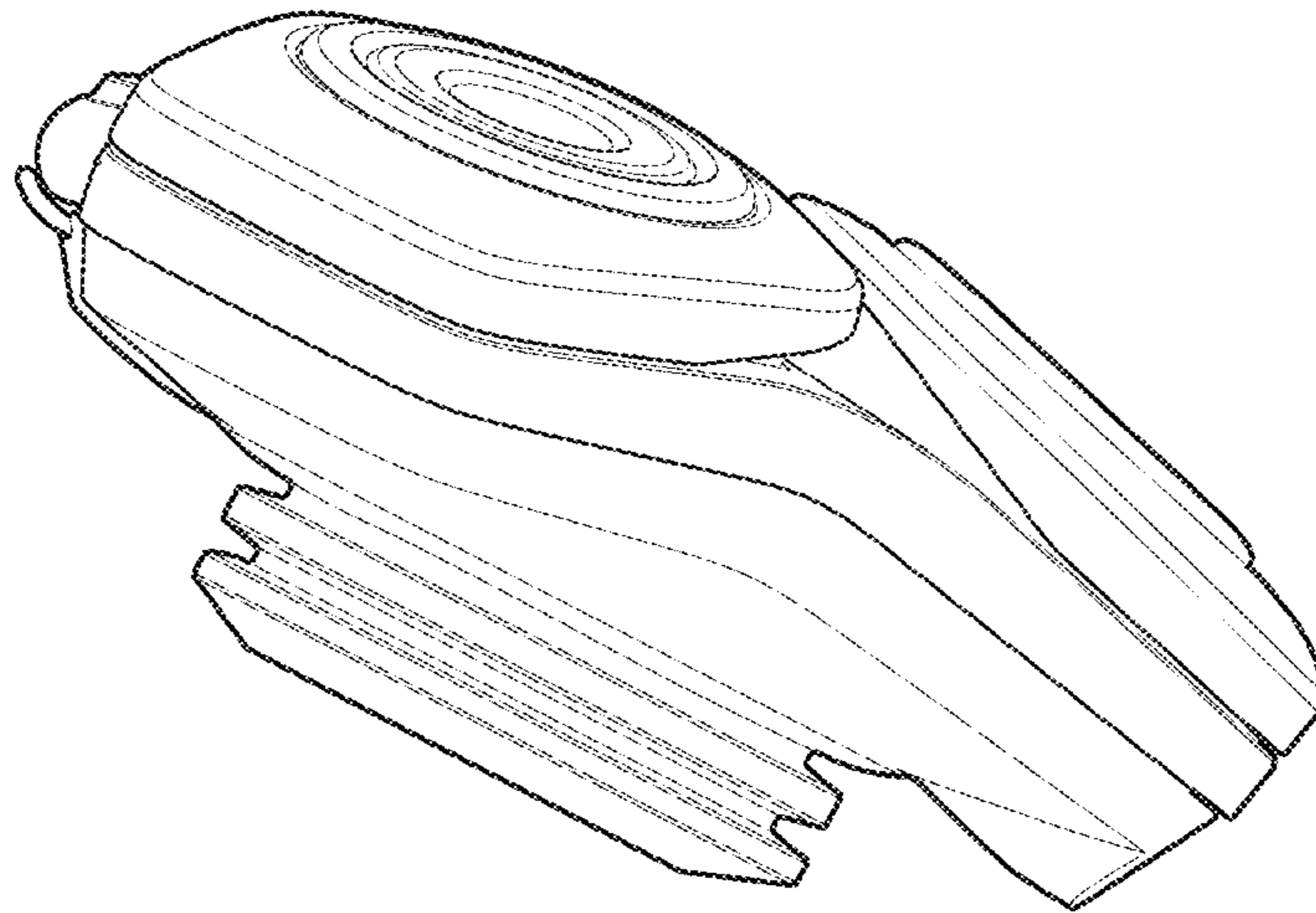


FIG. 4

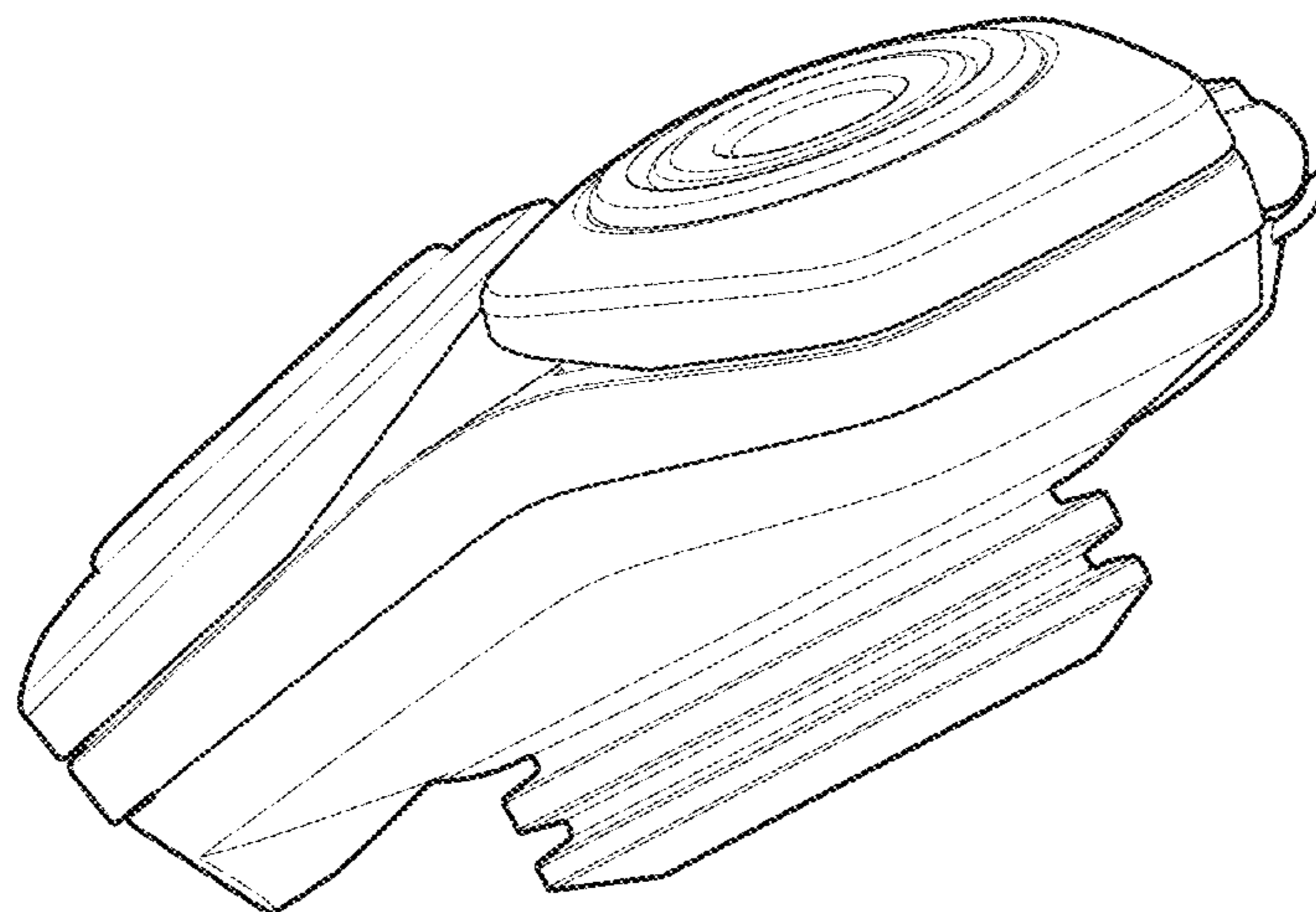


FIG. 5

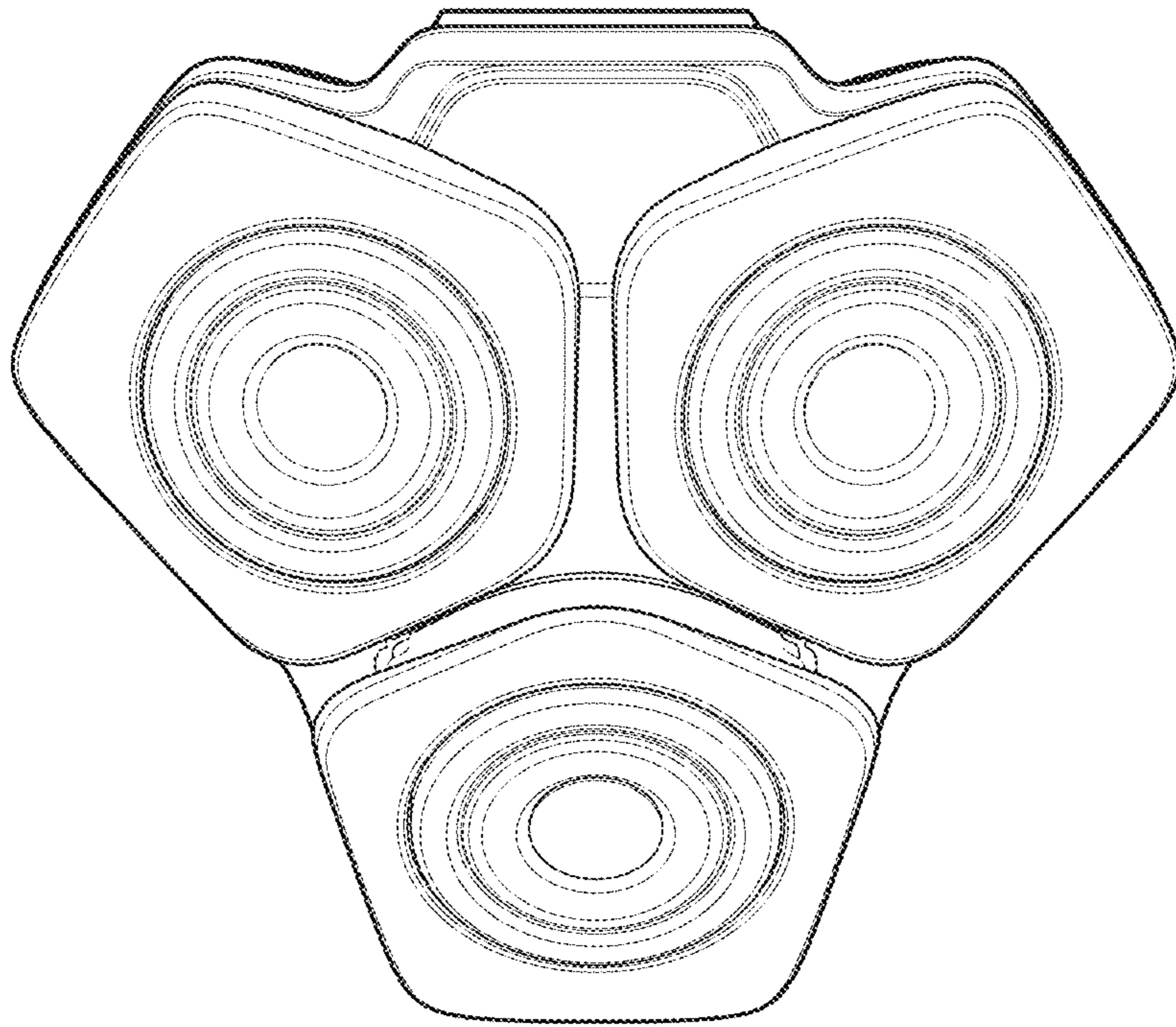


FIG. 6

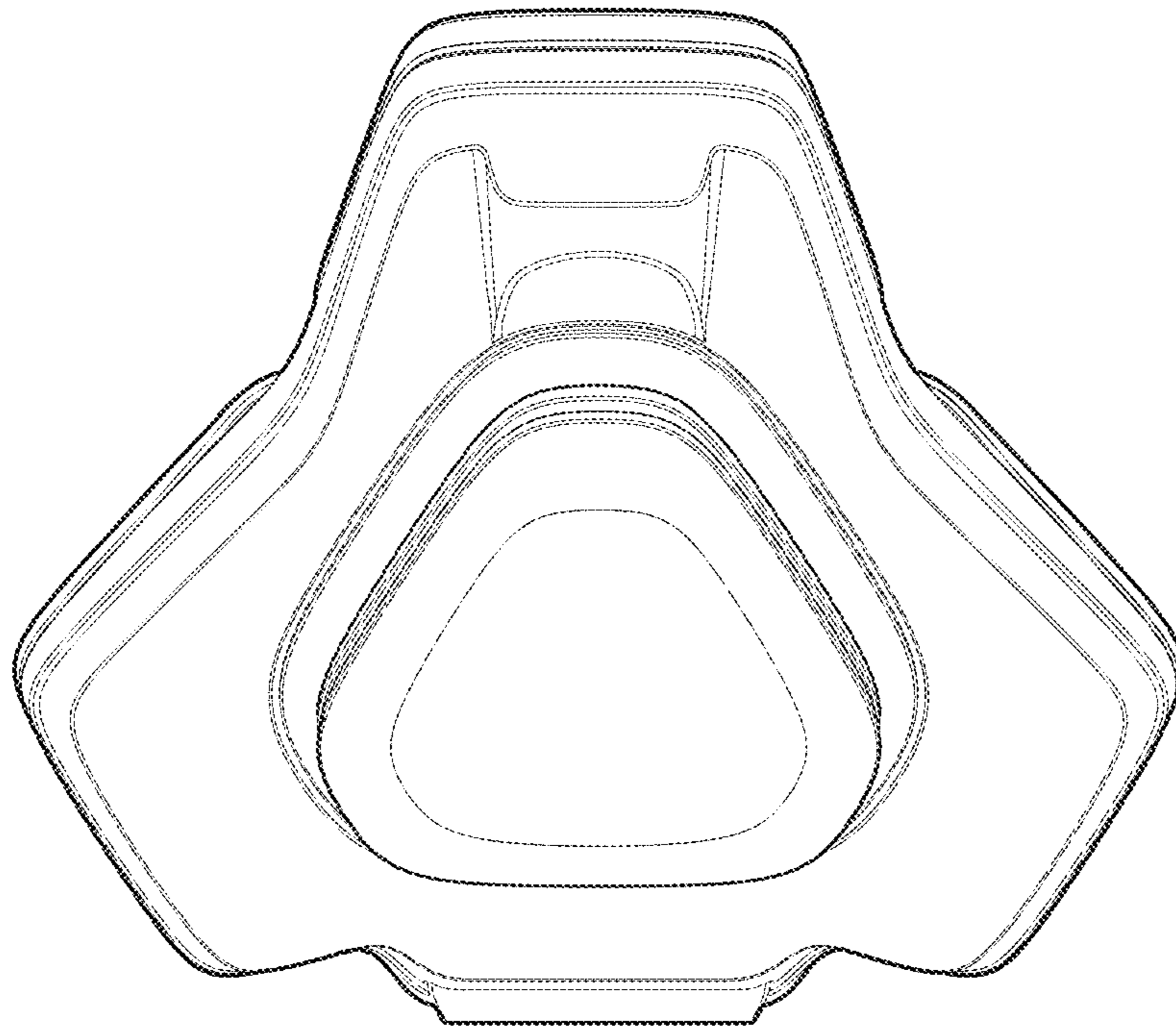


FIG. 7



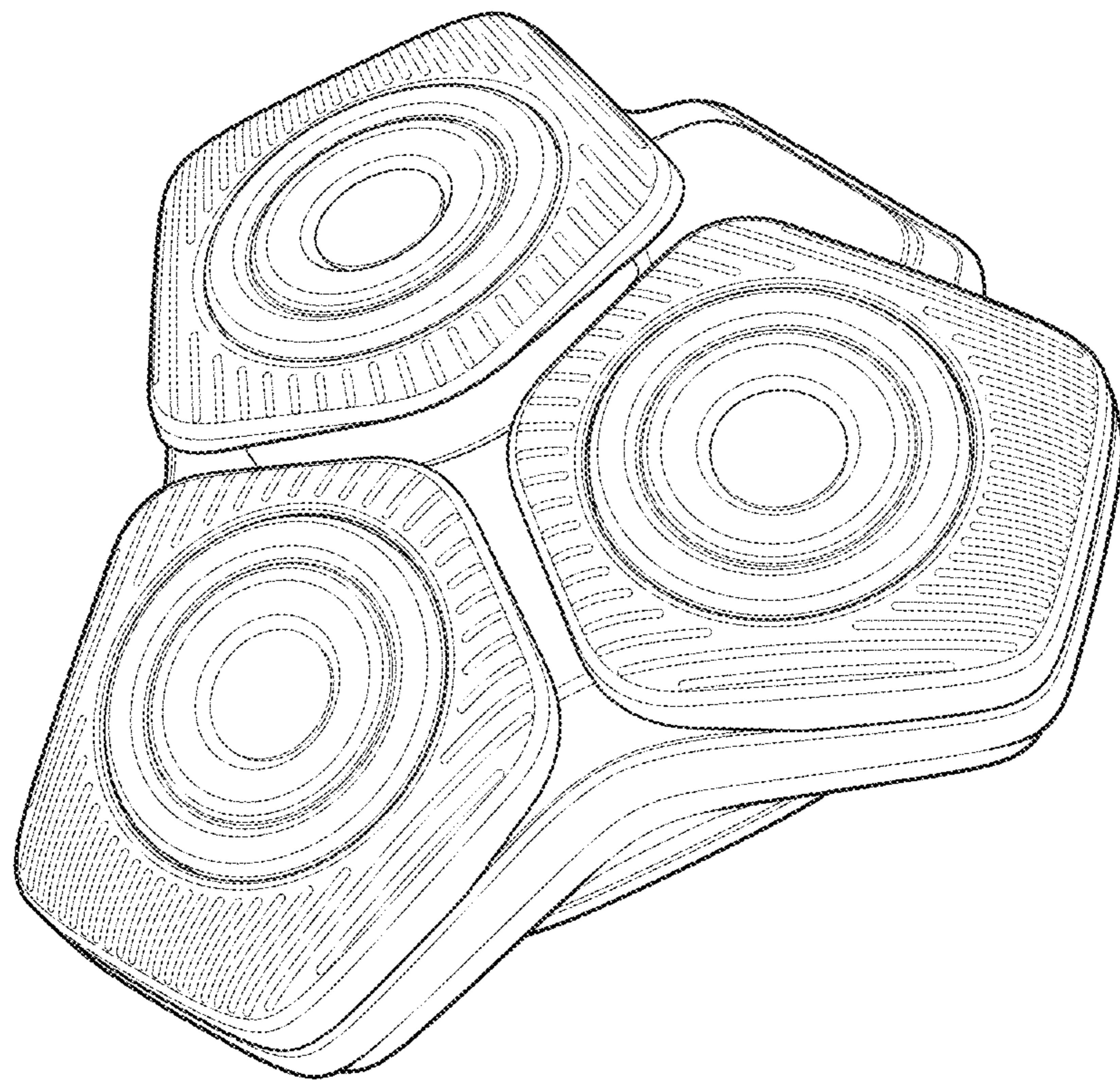


FIG. 8

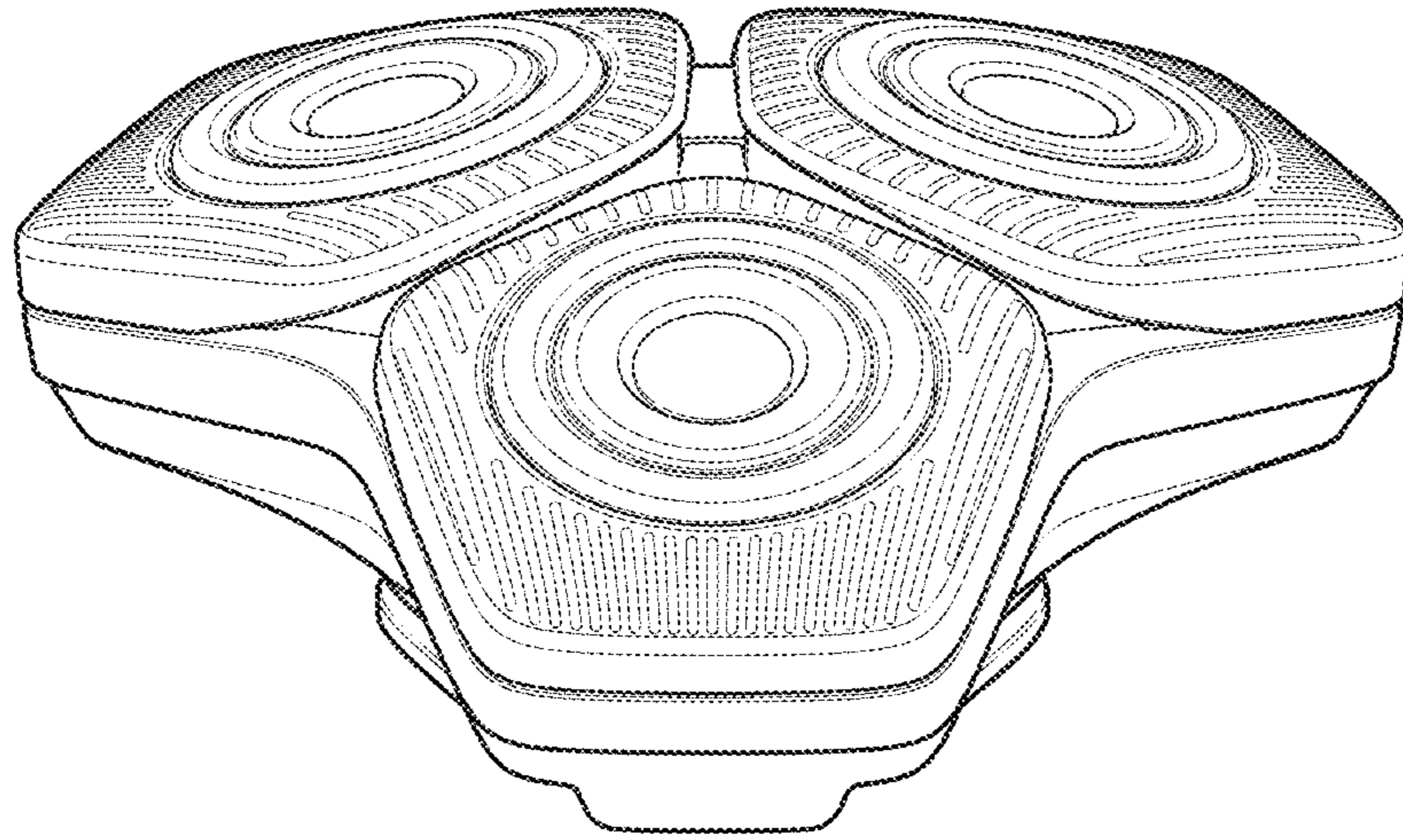


FIG. 9

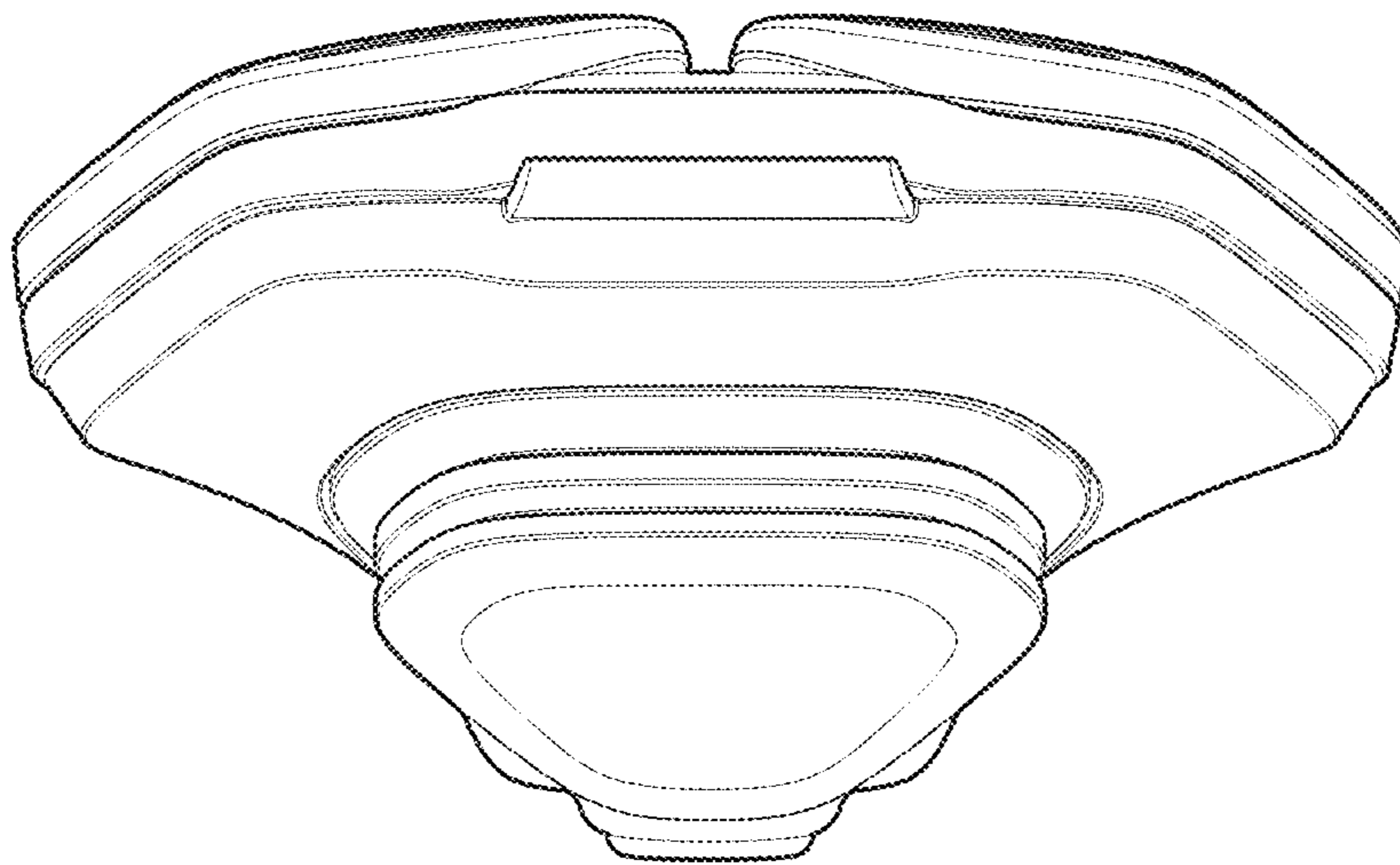


FIG. 10



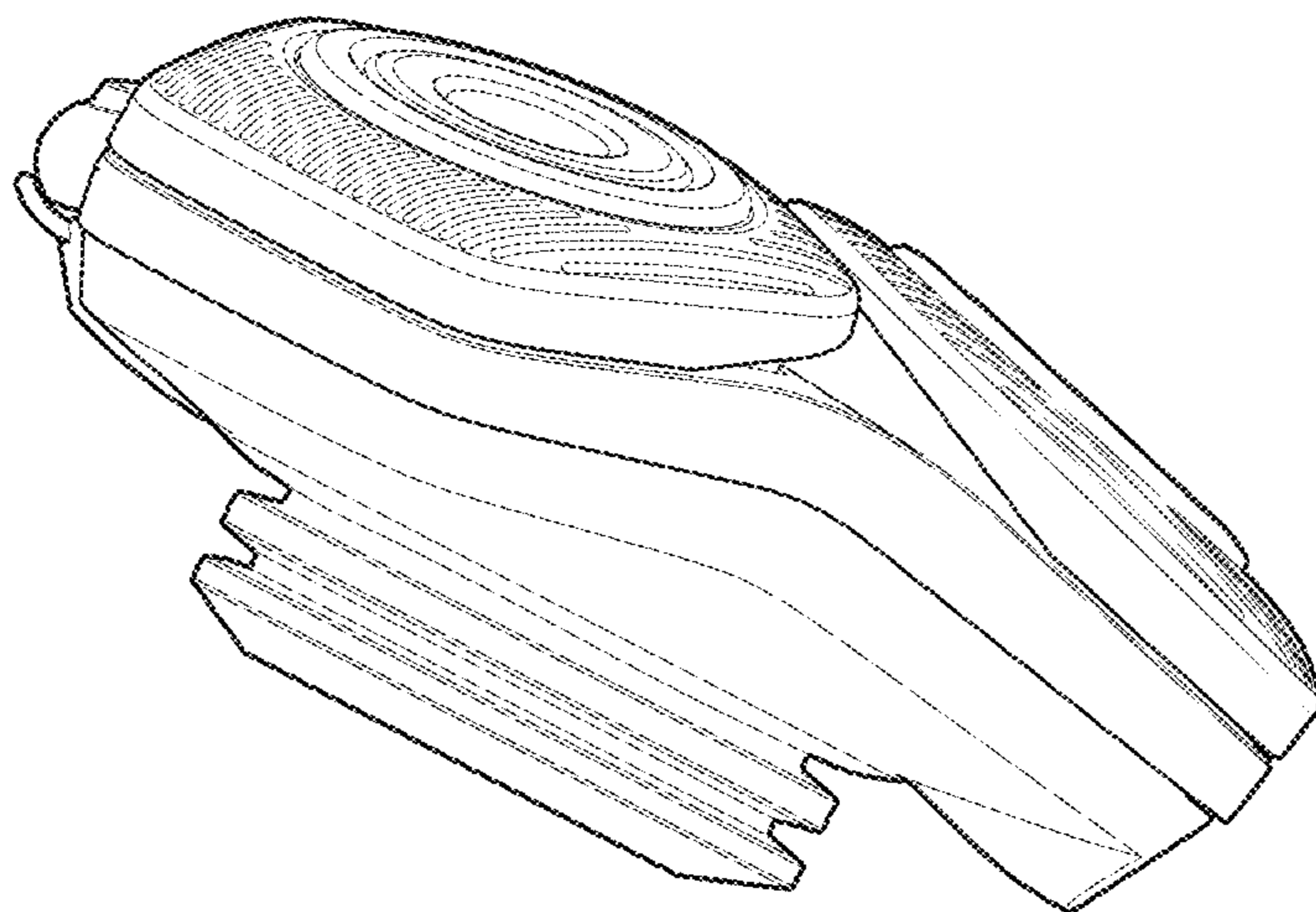


FIG. 11

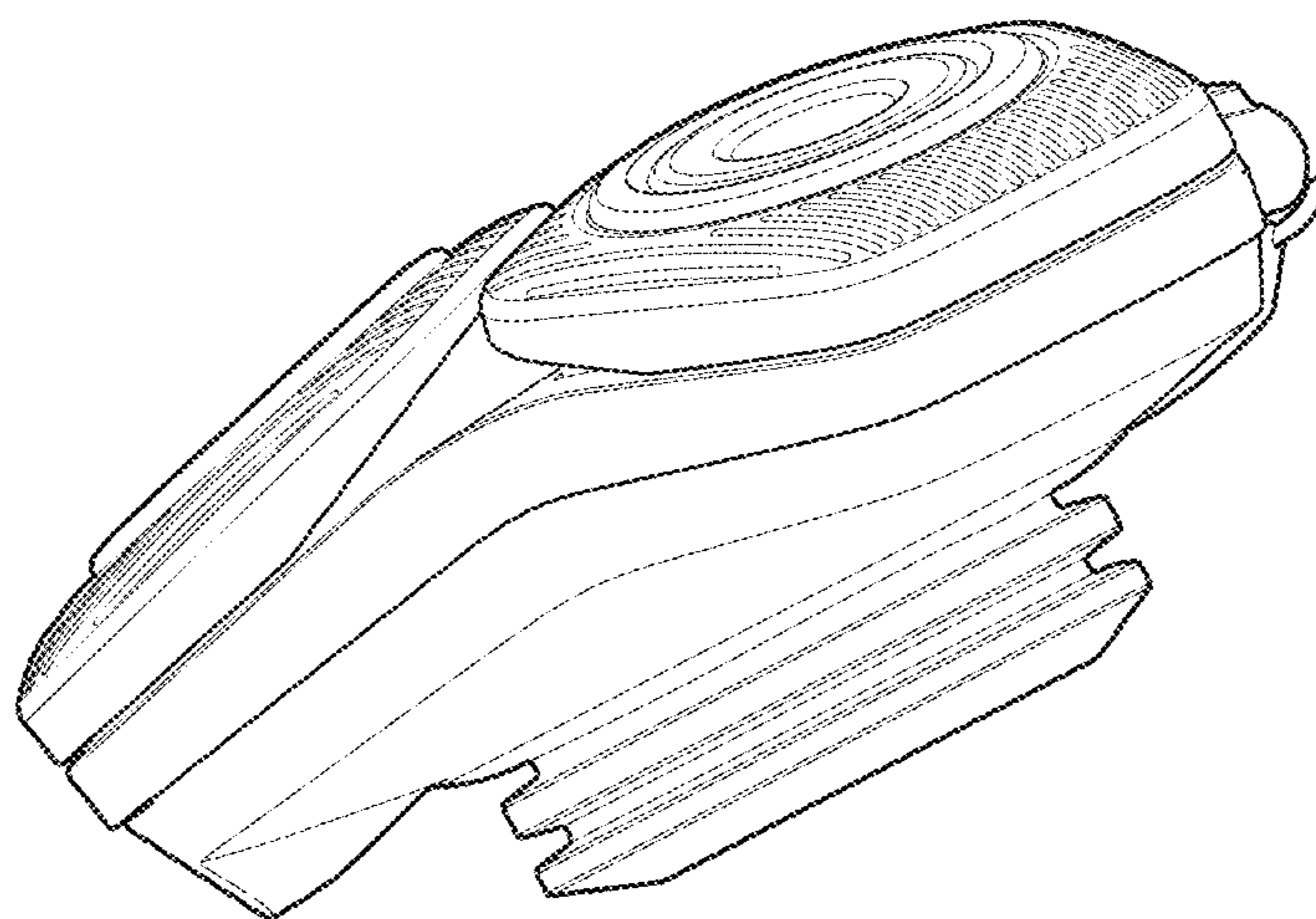


FIG. 12

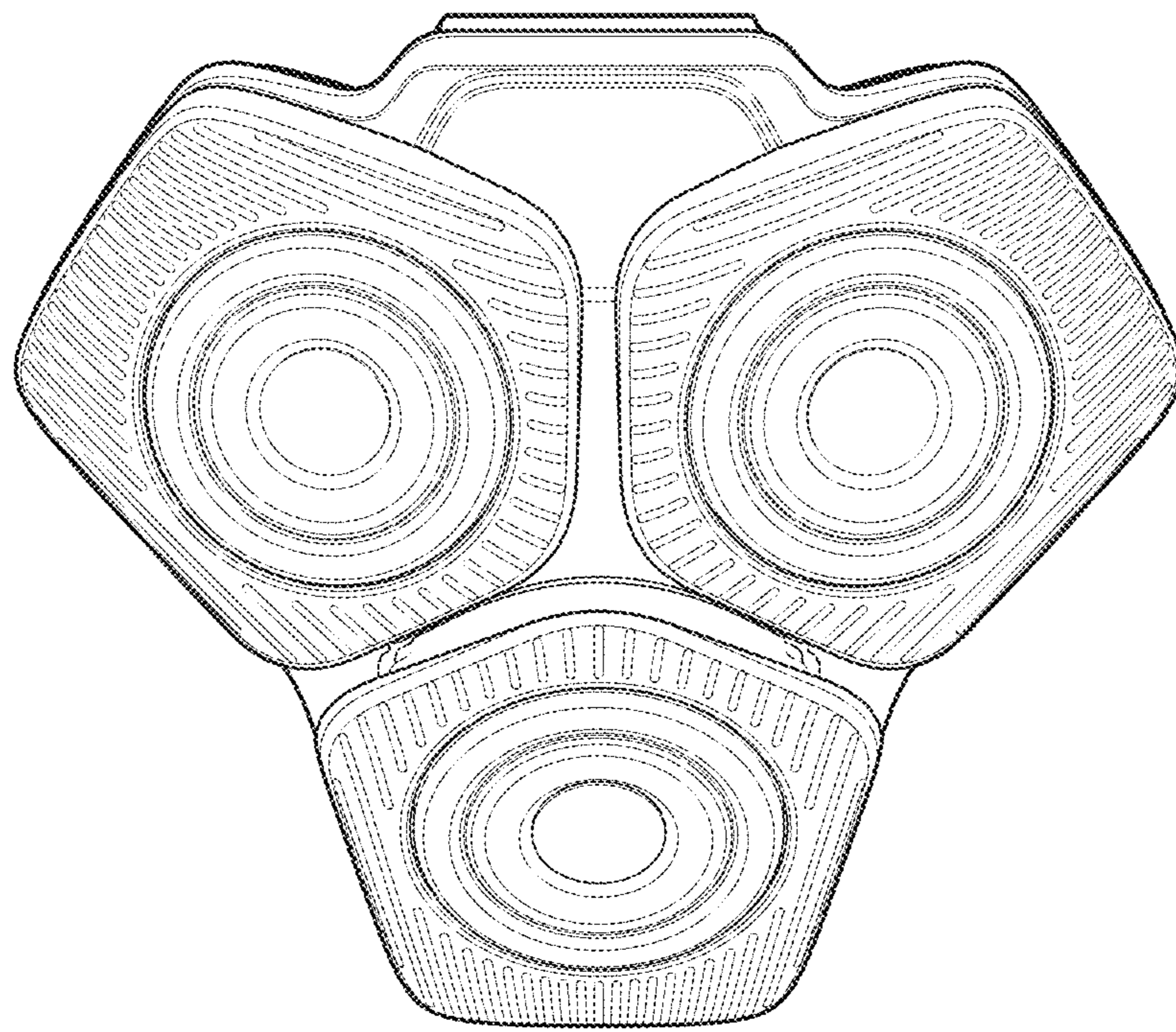


FIG. 13

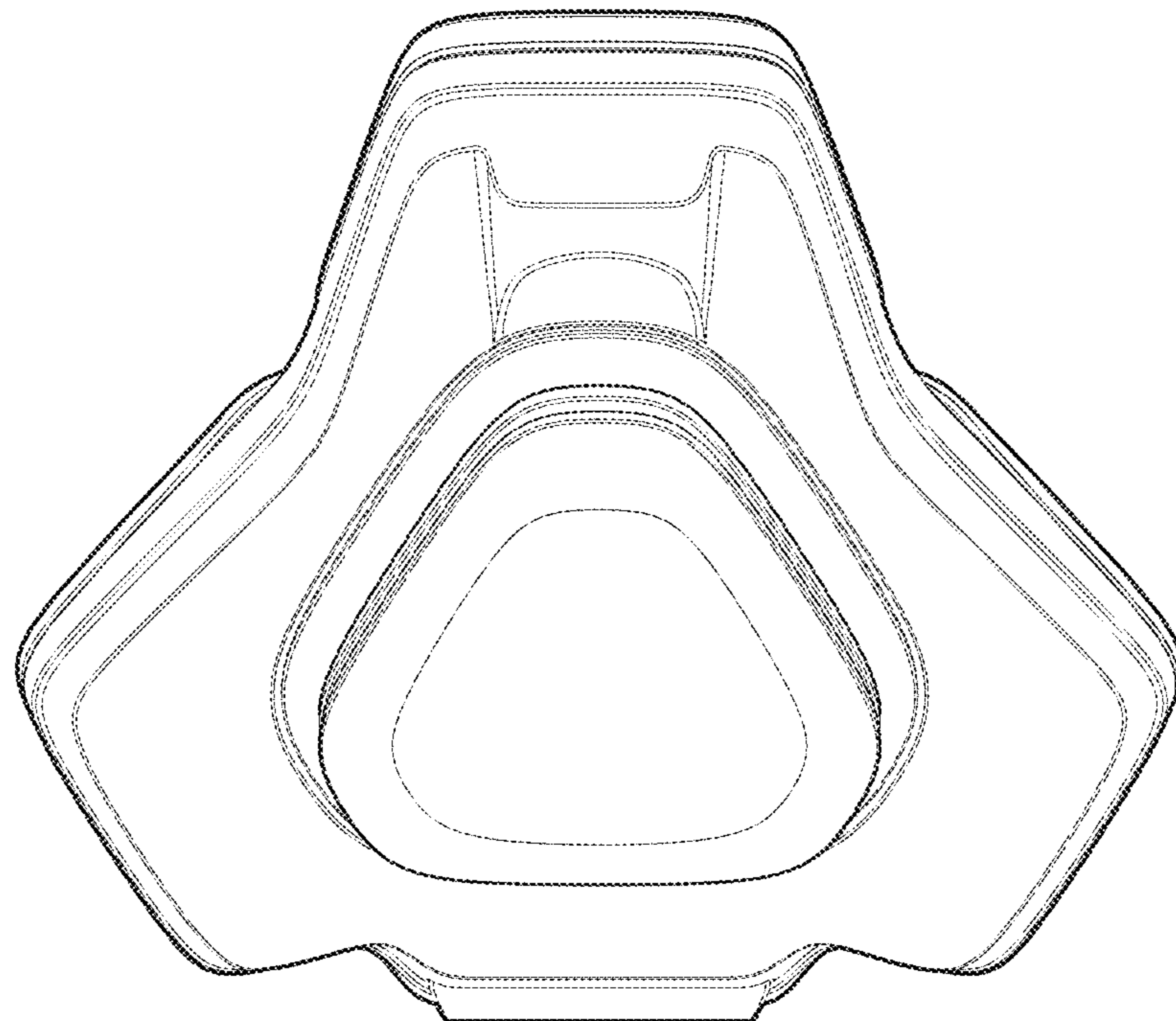


FIG. 14



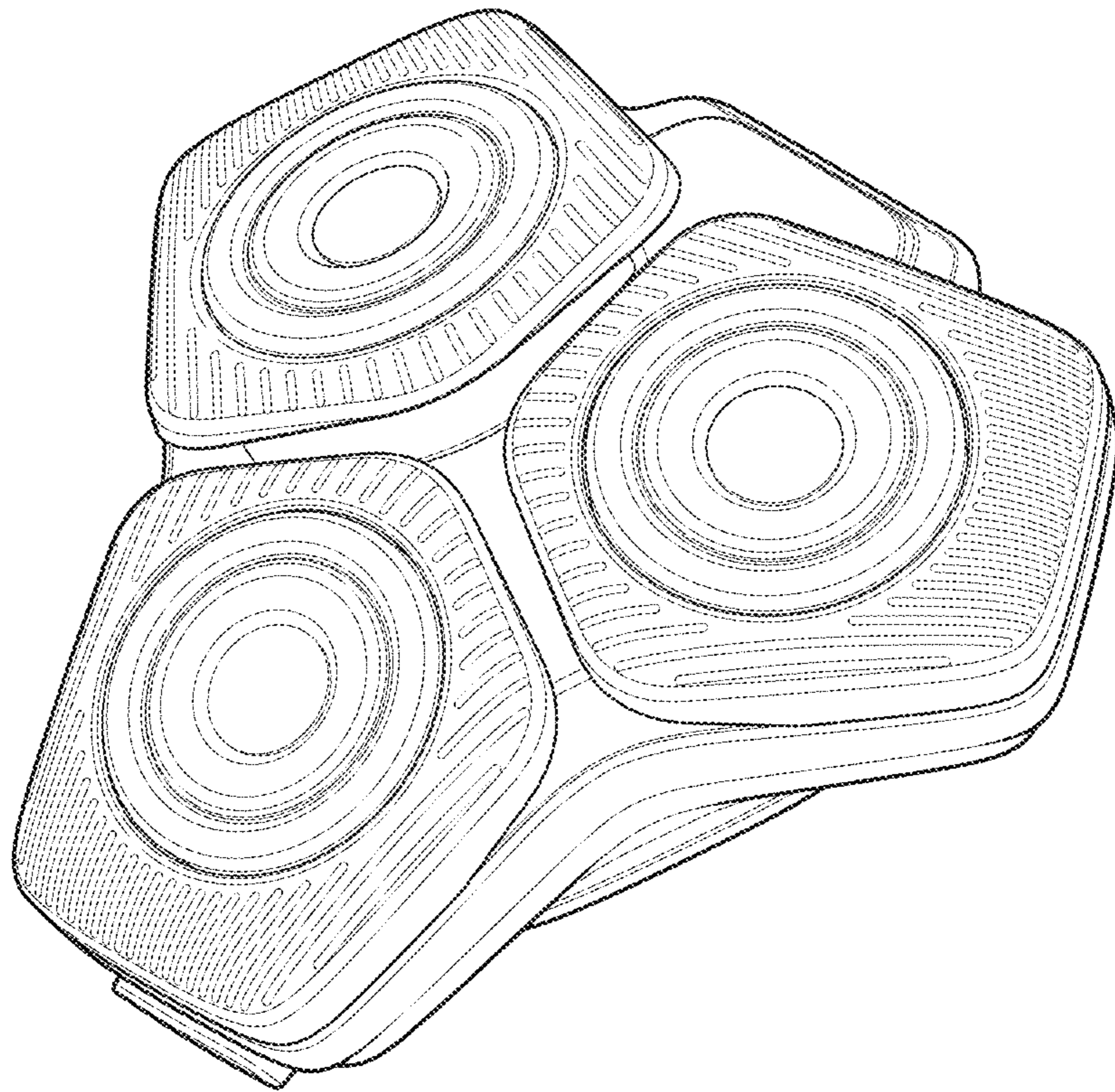


FIG. 15



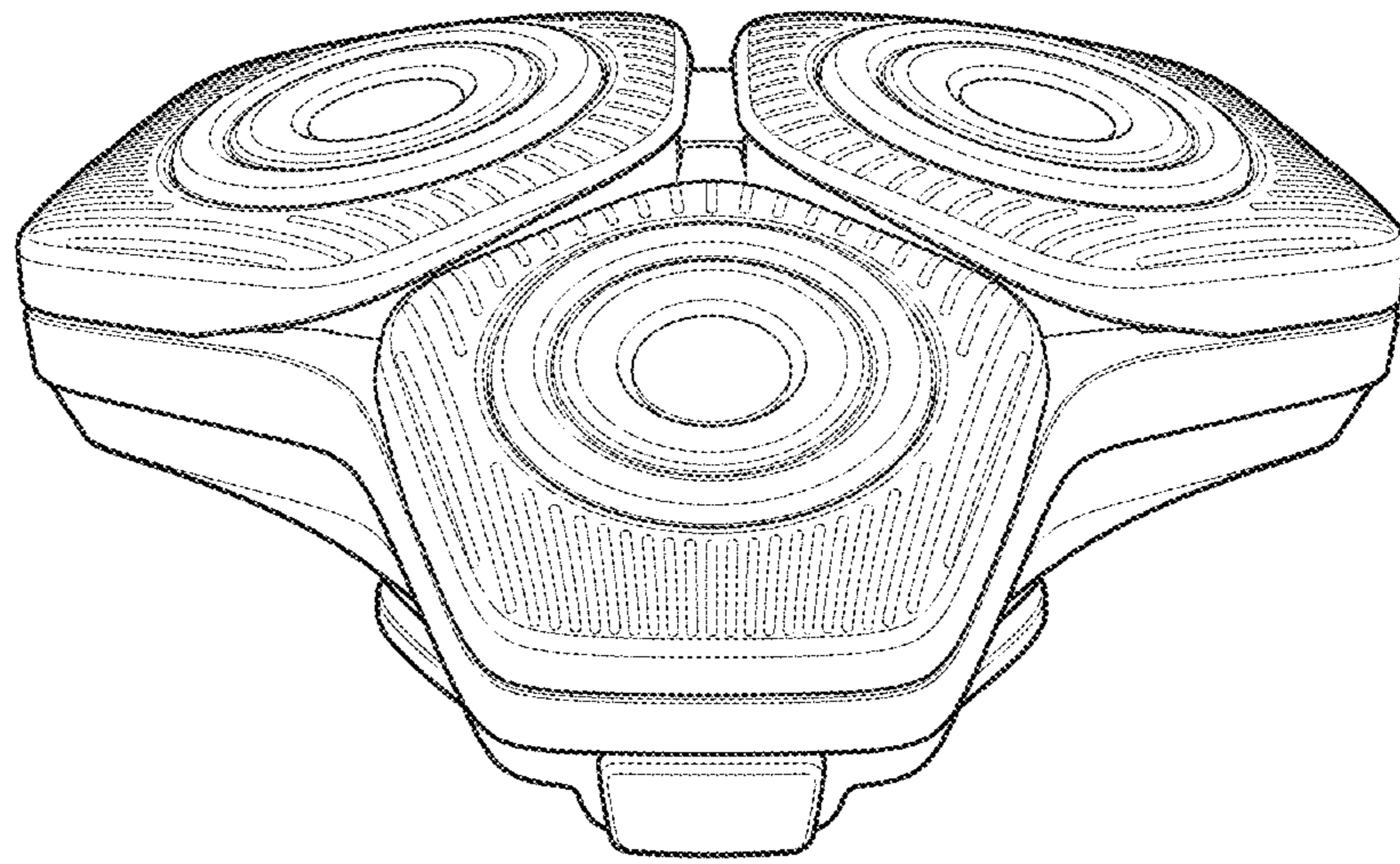


FIG. 16

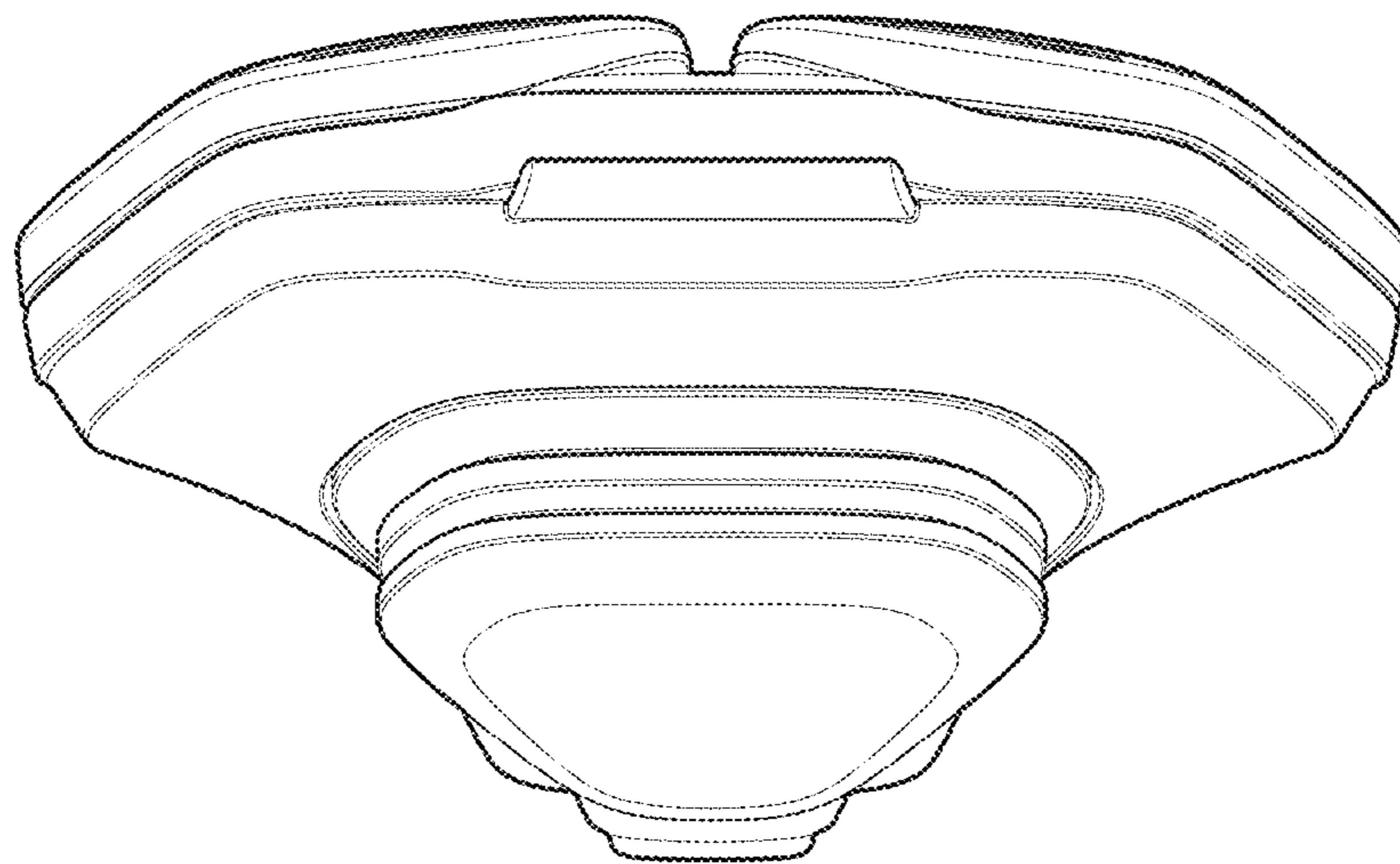


FIG. 17

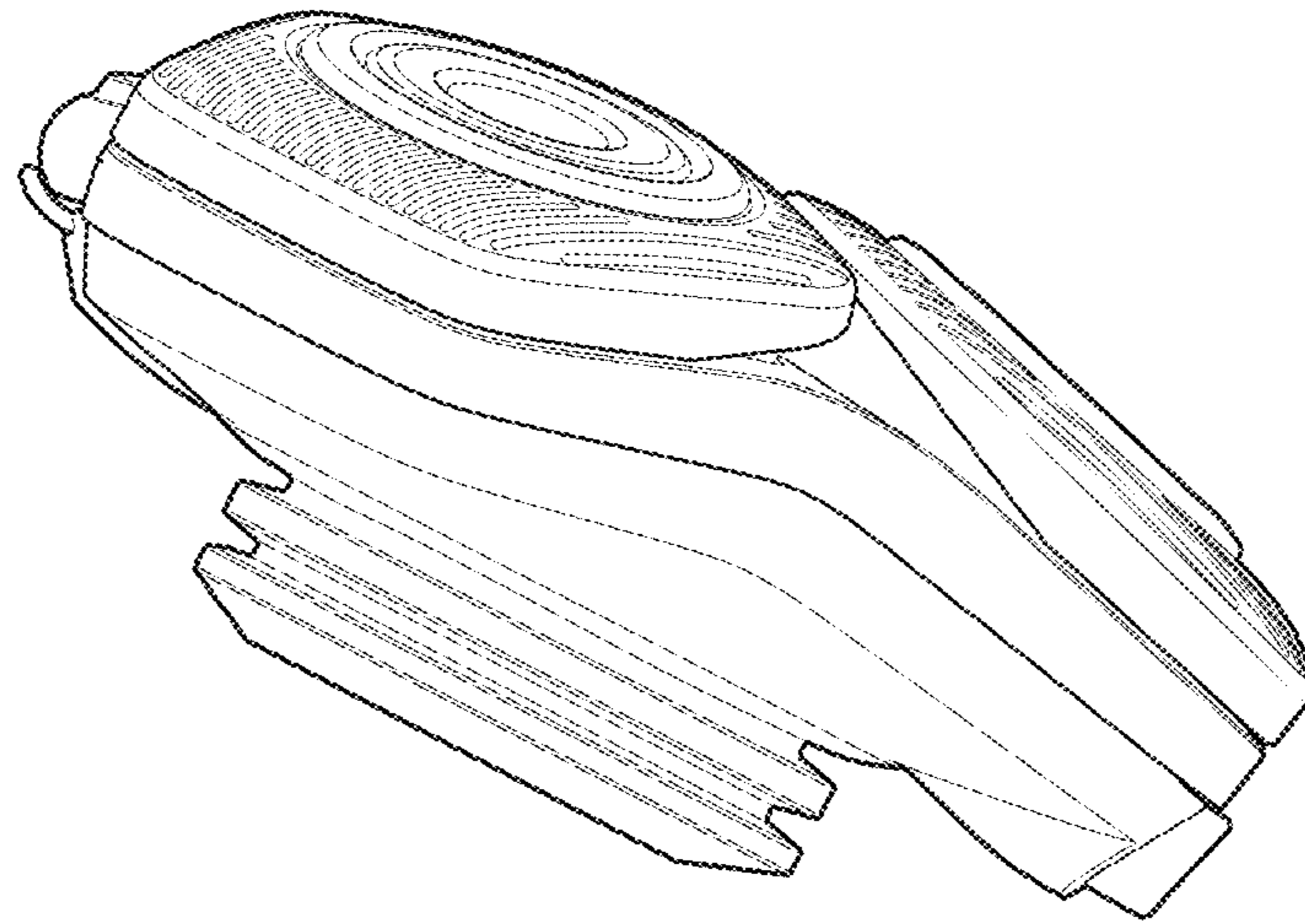


FIG. 18

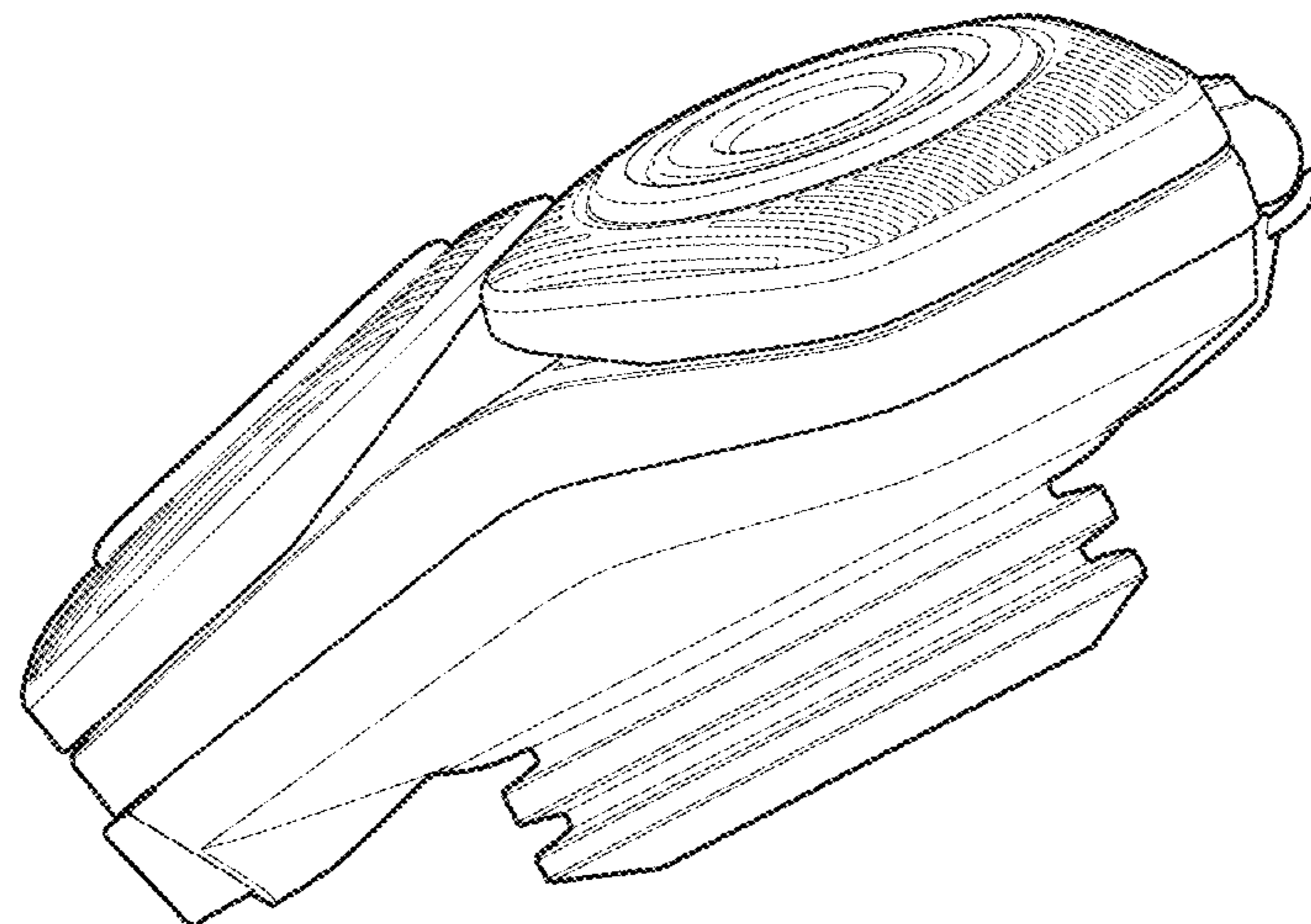


FIG. 19



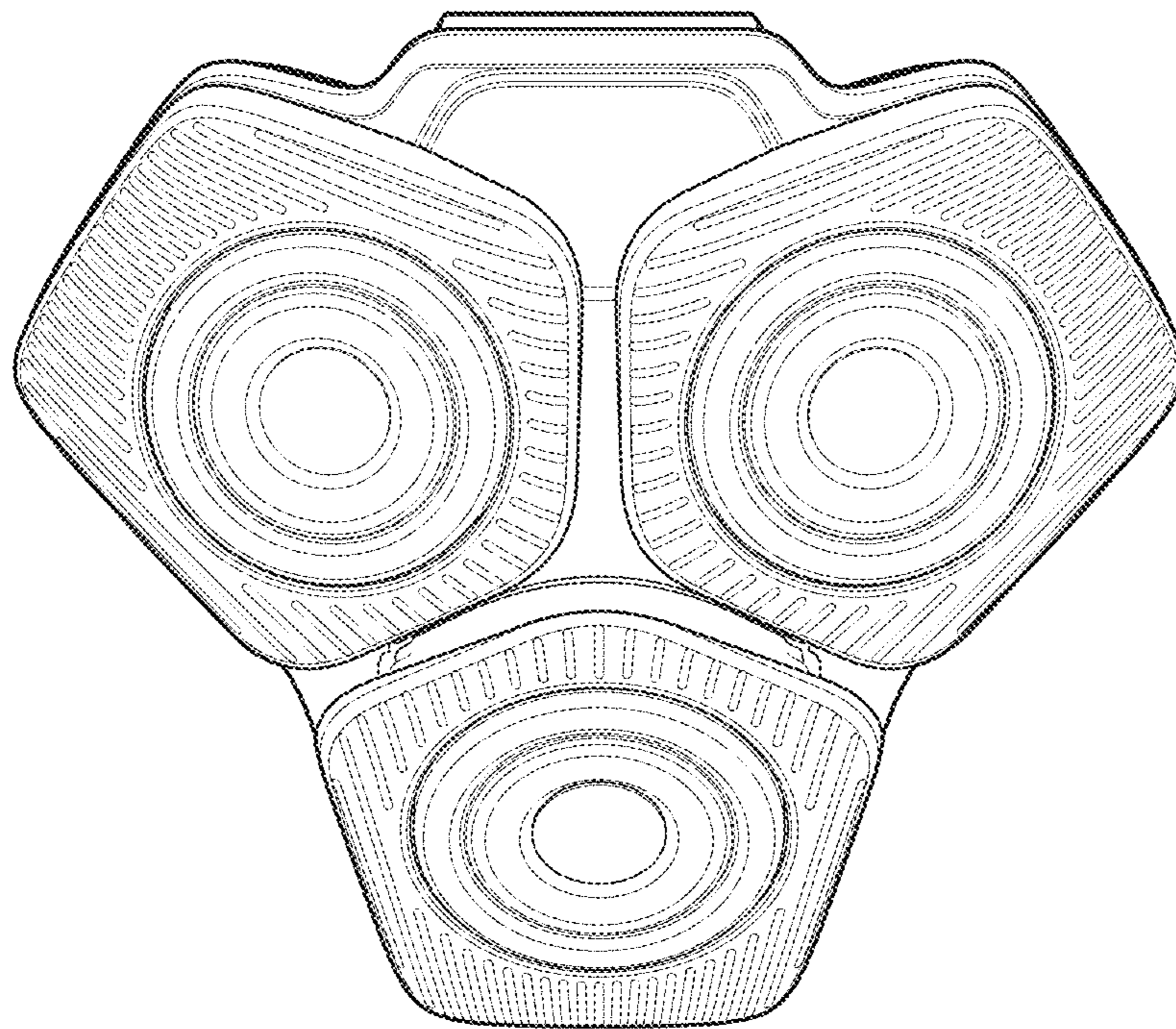


FIG. 20

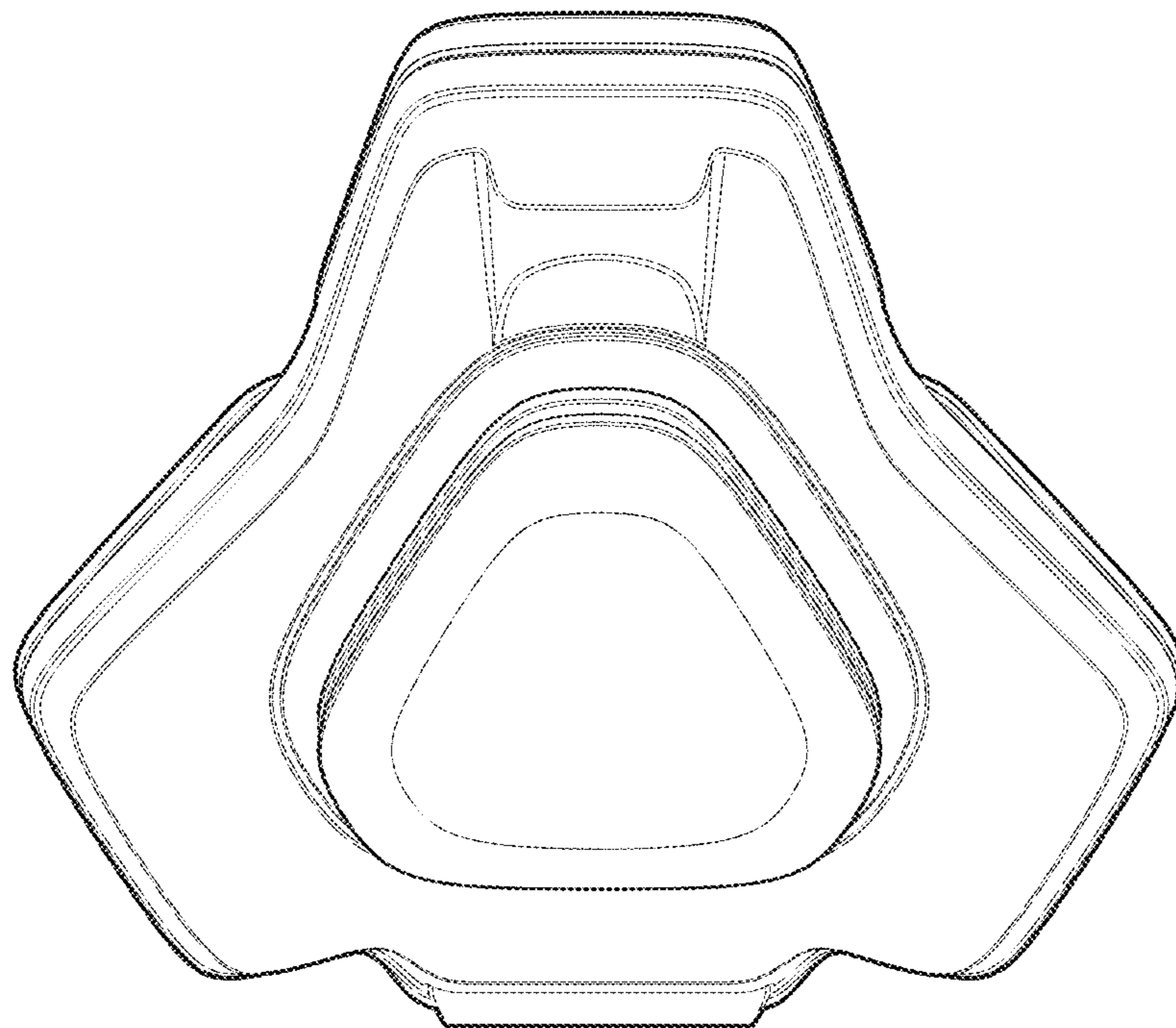


FIG. 21



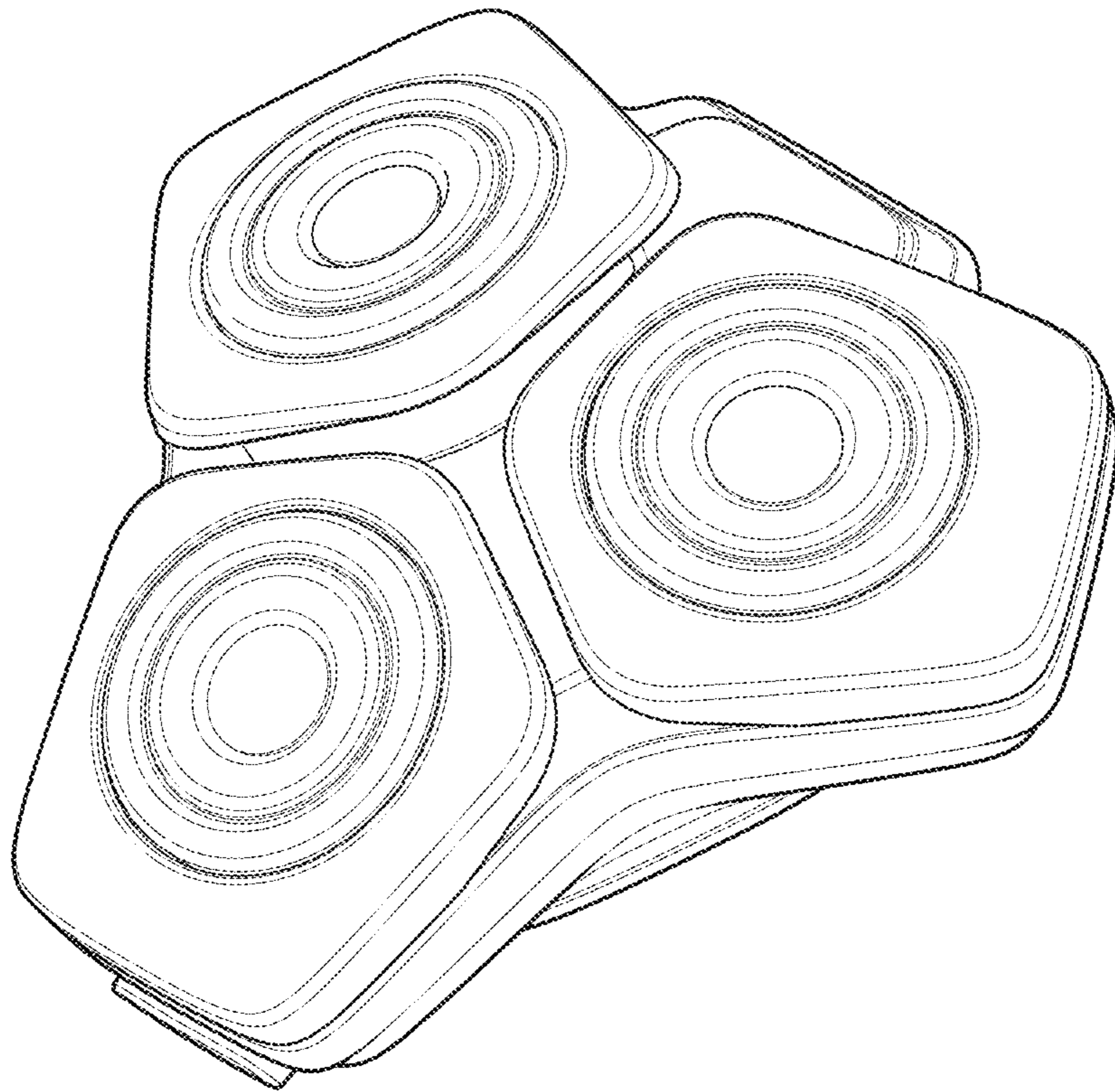


FIG. 22

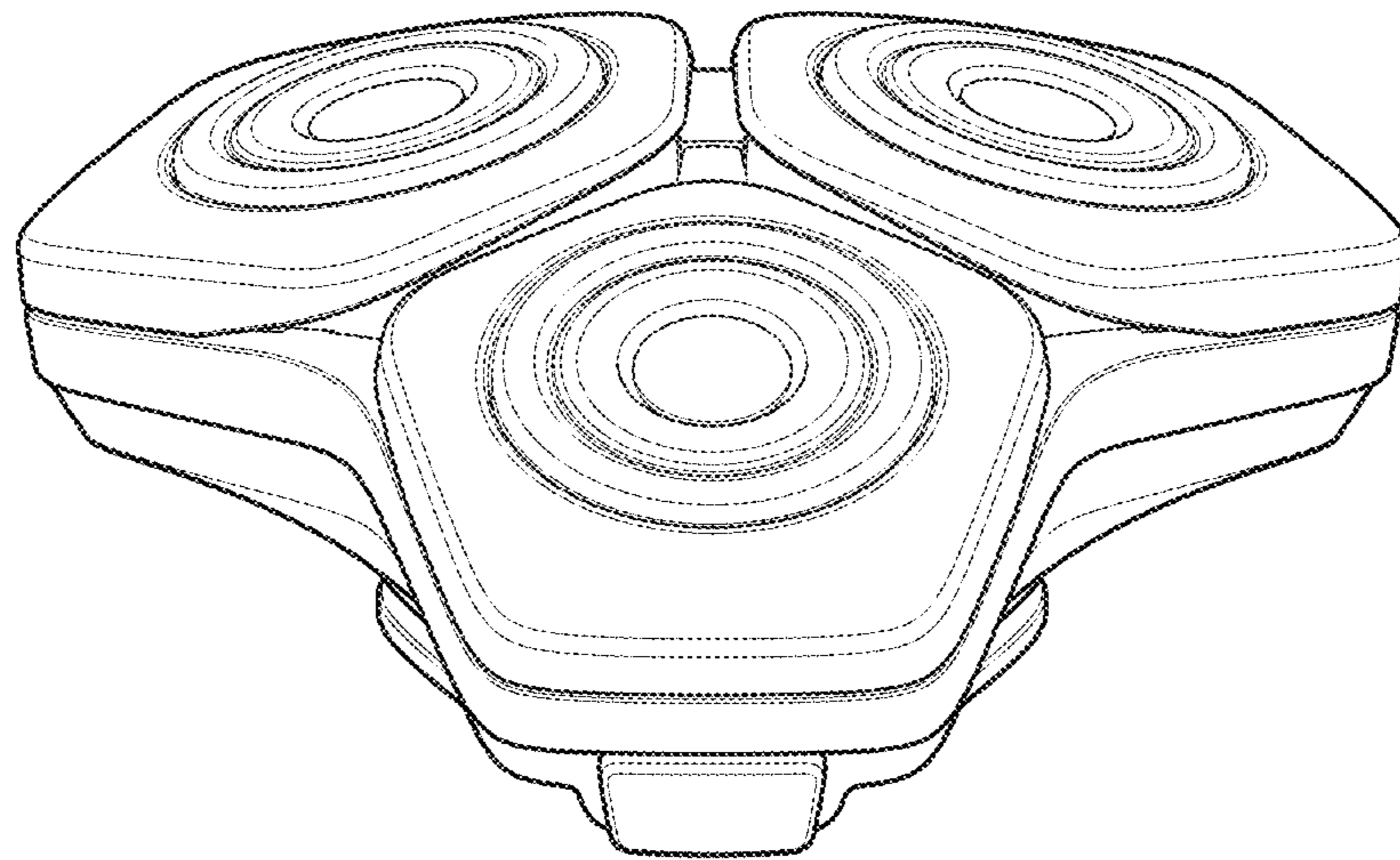


FIG. 23

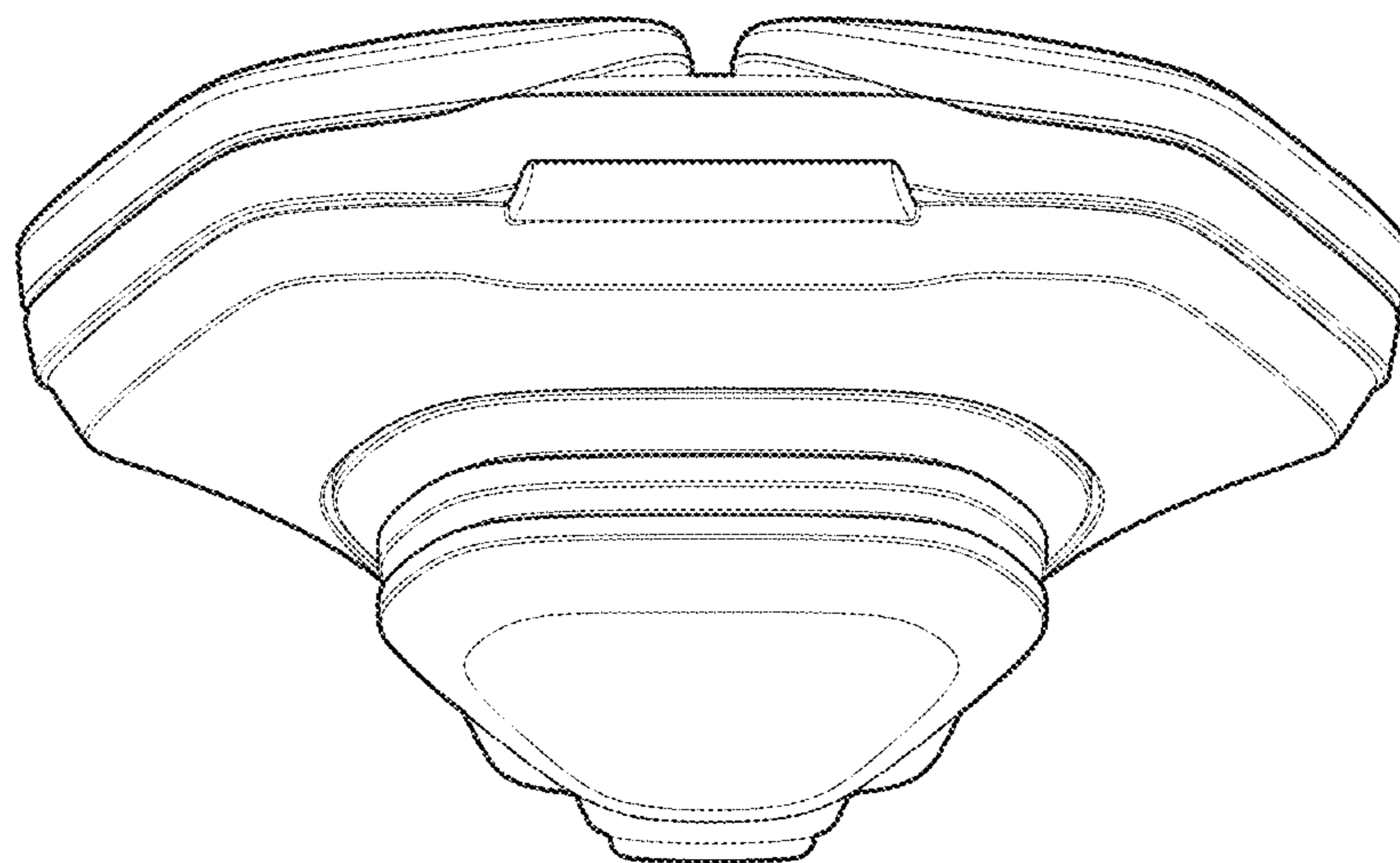


FIG. 24

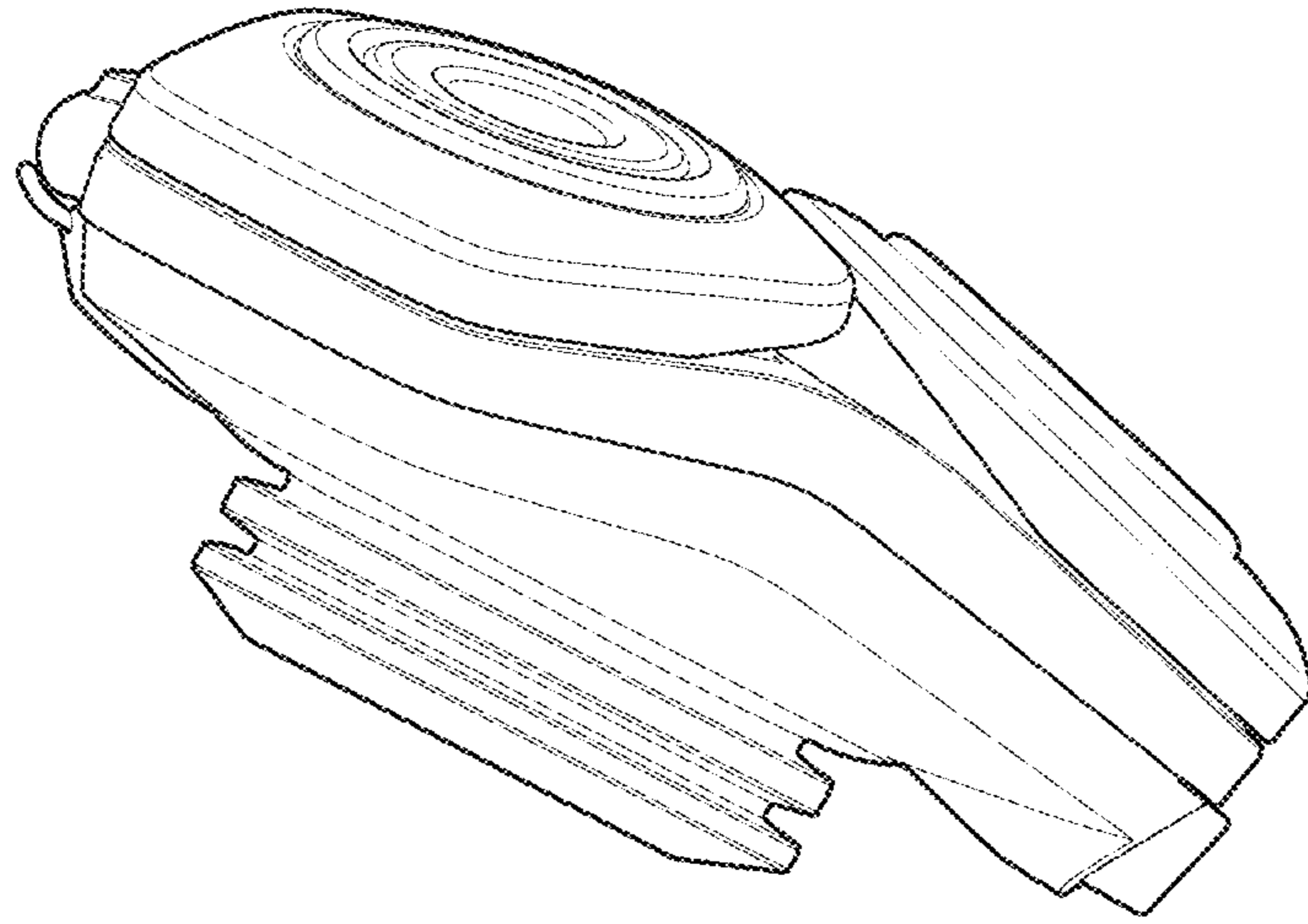


FIG. 25

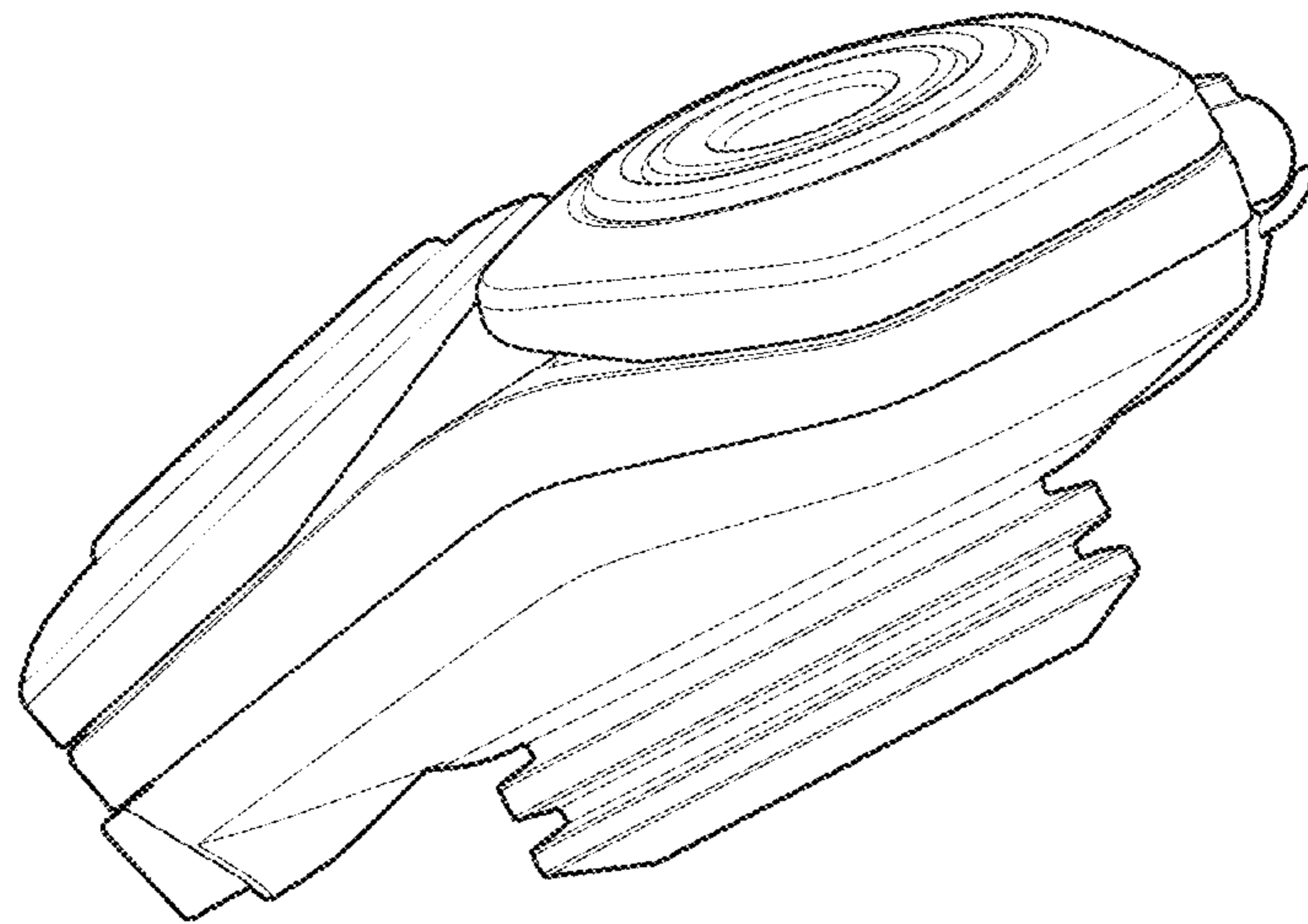


FIG. 26



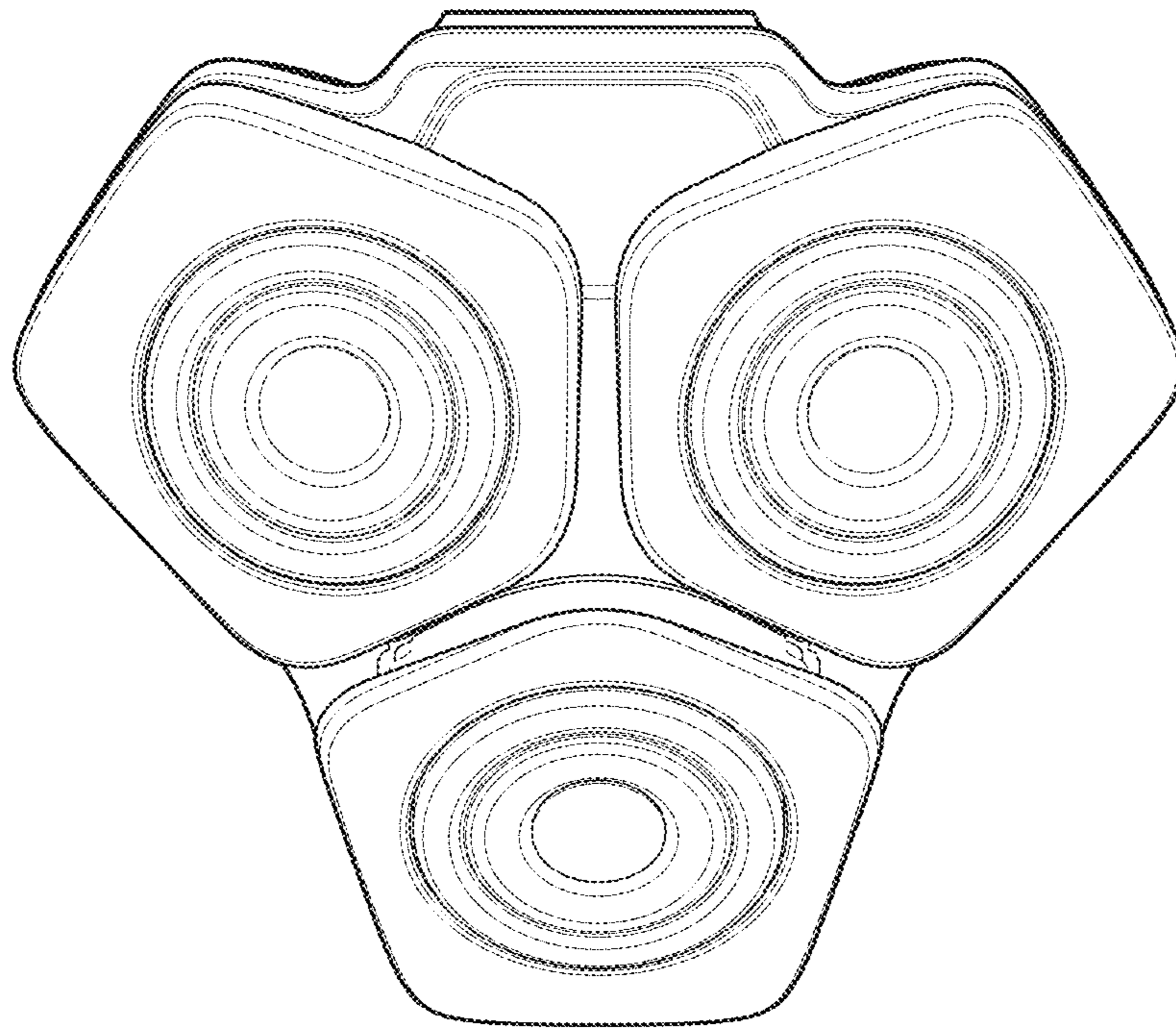


FIG. 27

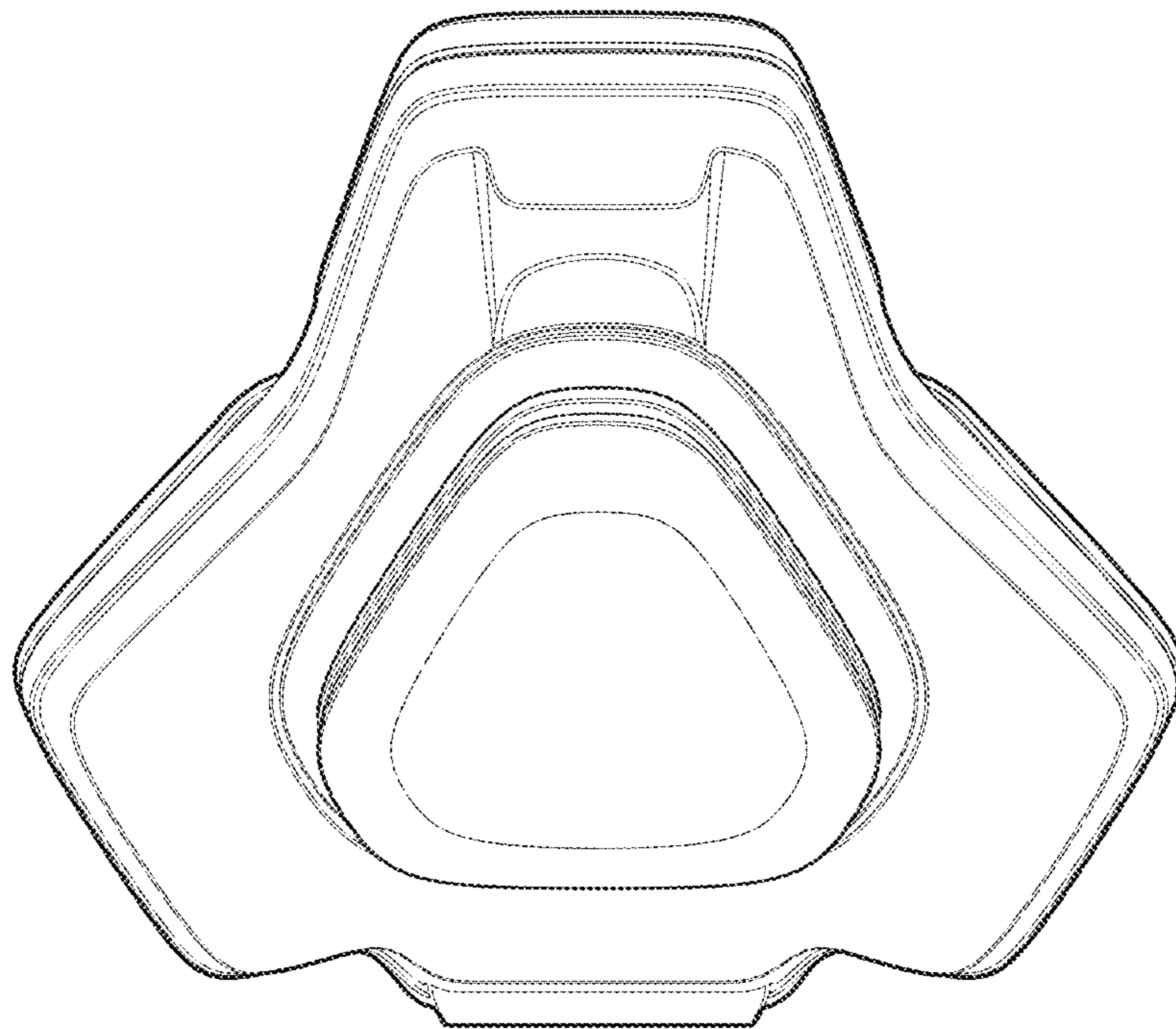


FIG. 28

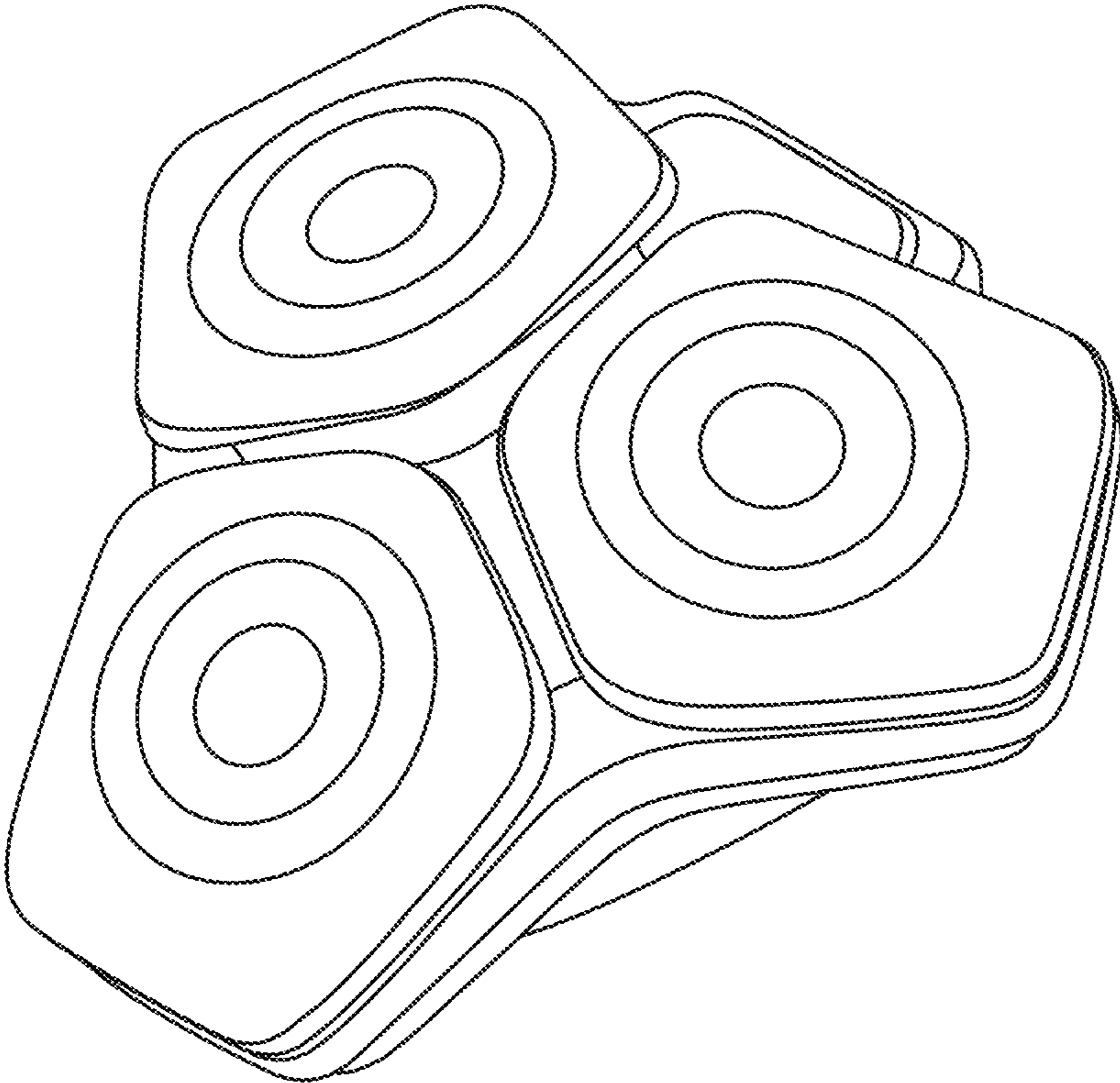


FIG. 29

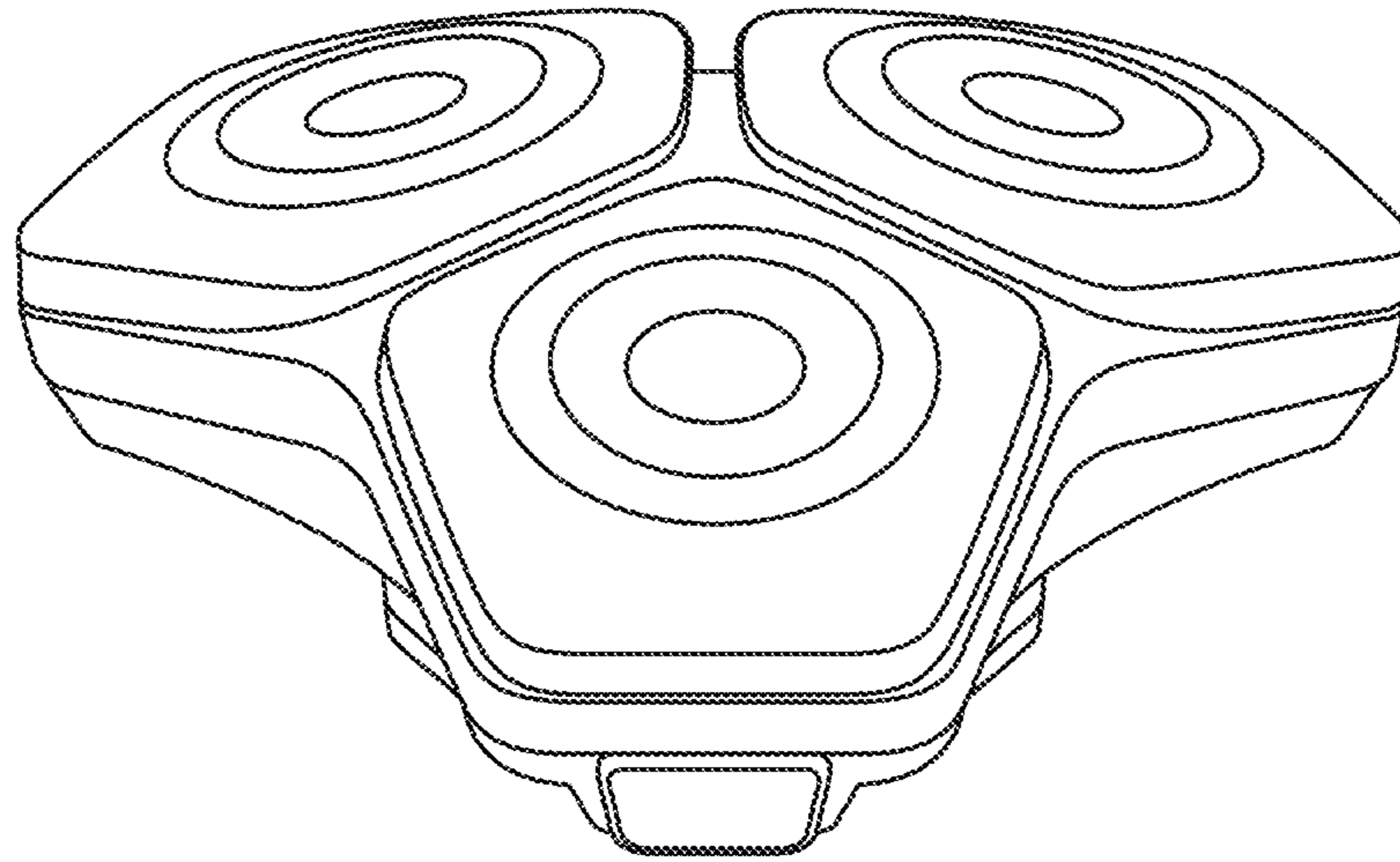


FIG. 30

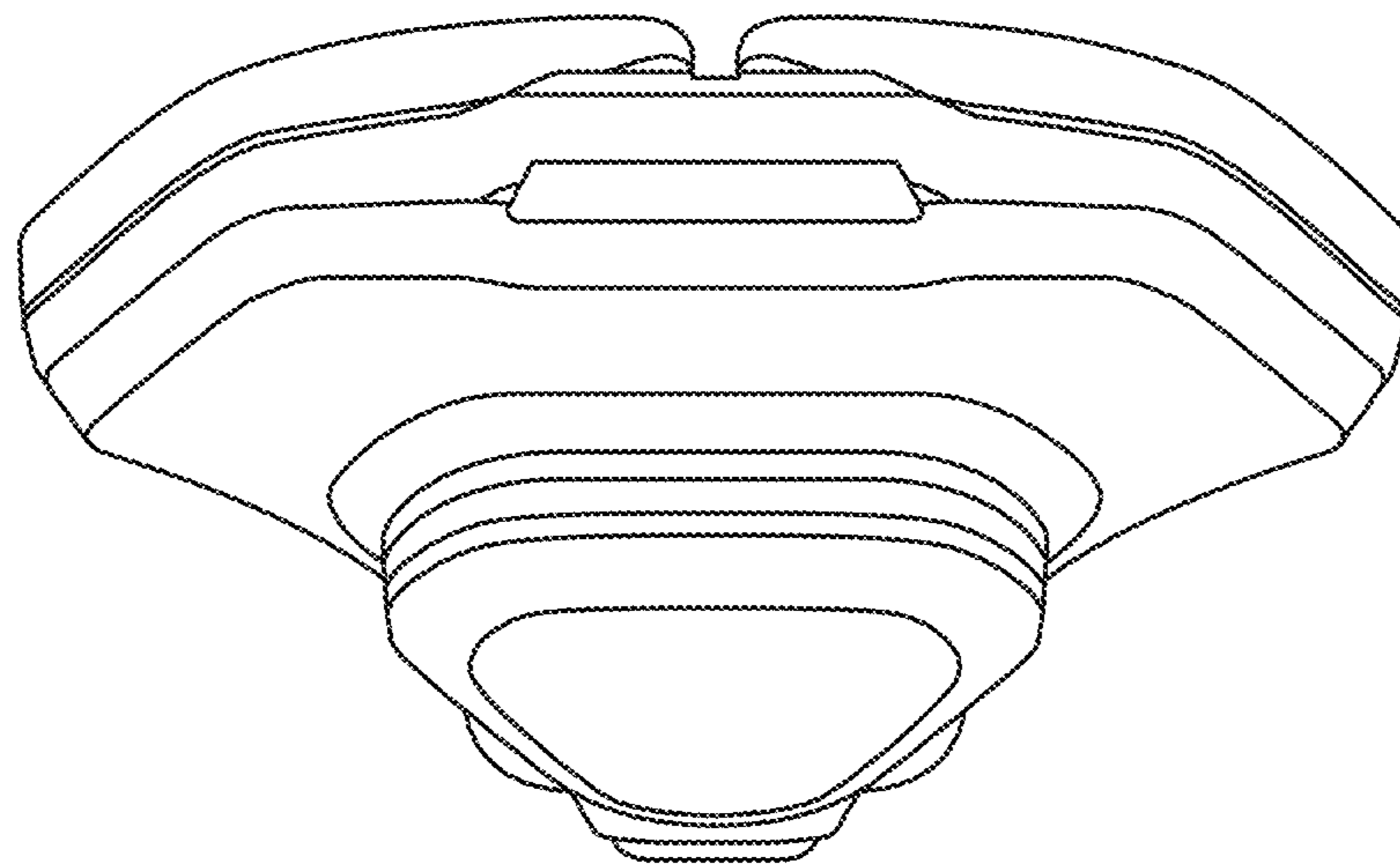


FIG. 31



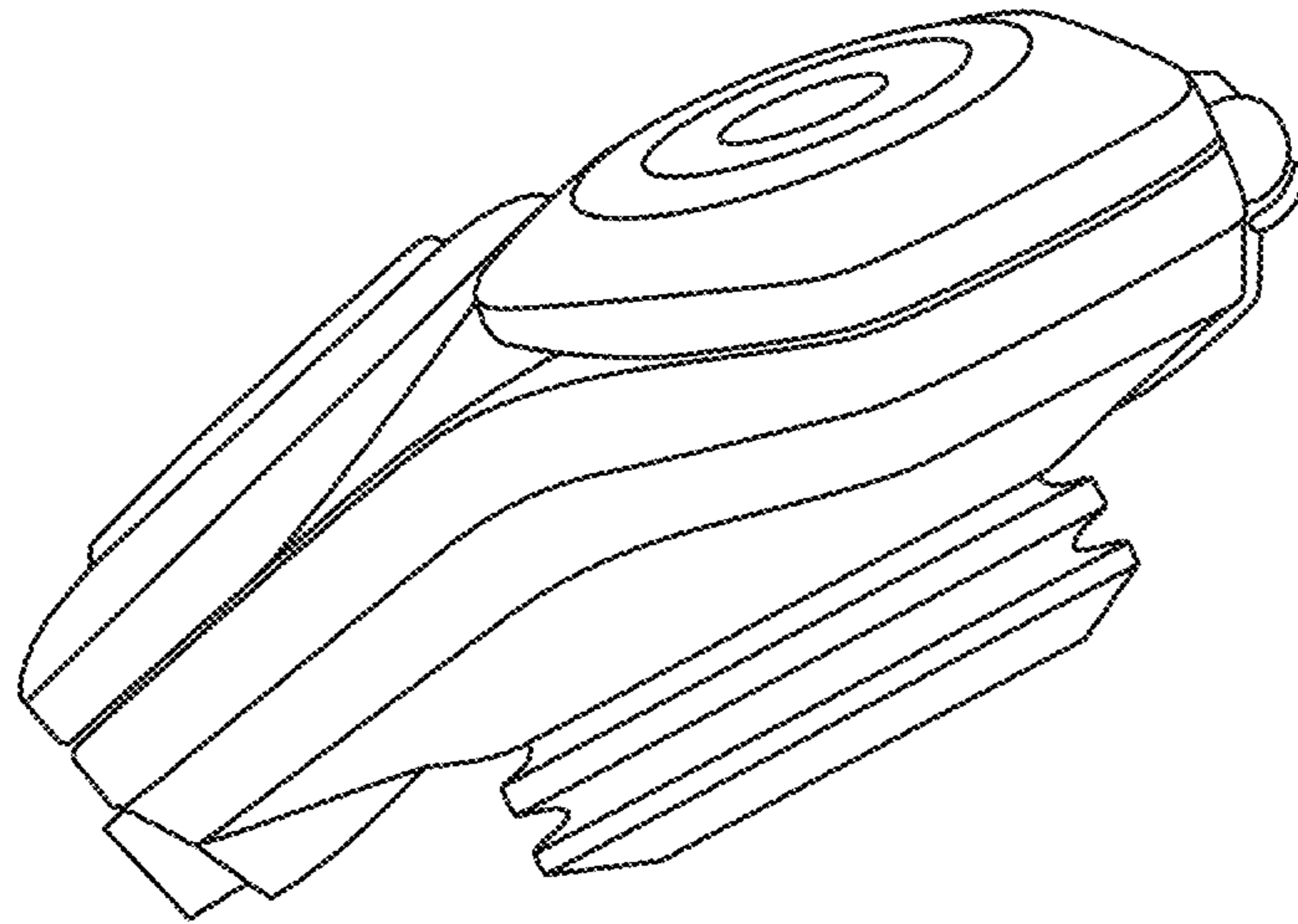


FIG. 32

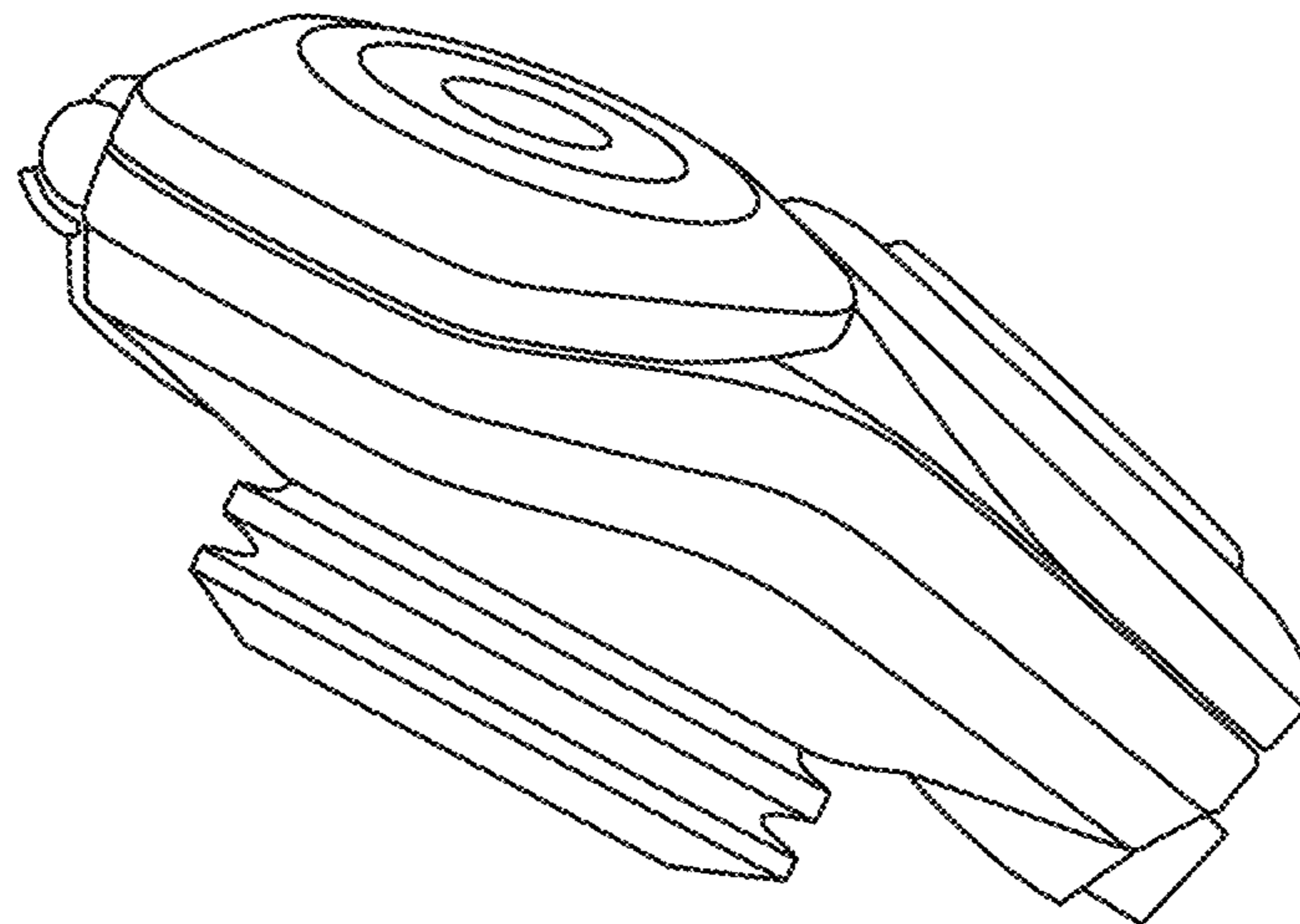


FIG. 33

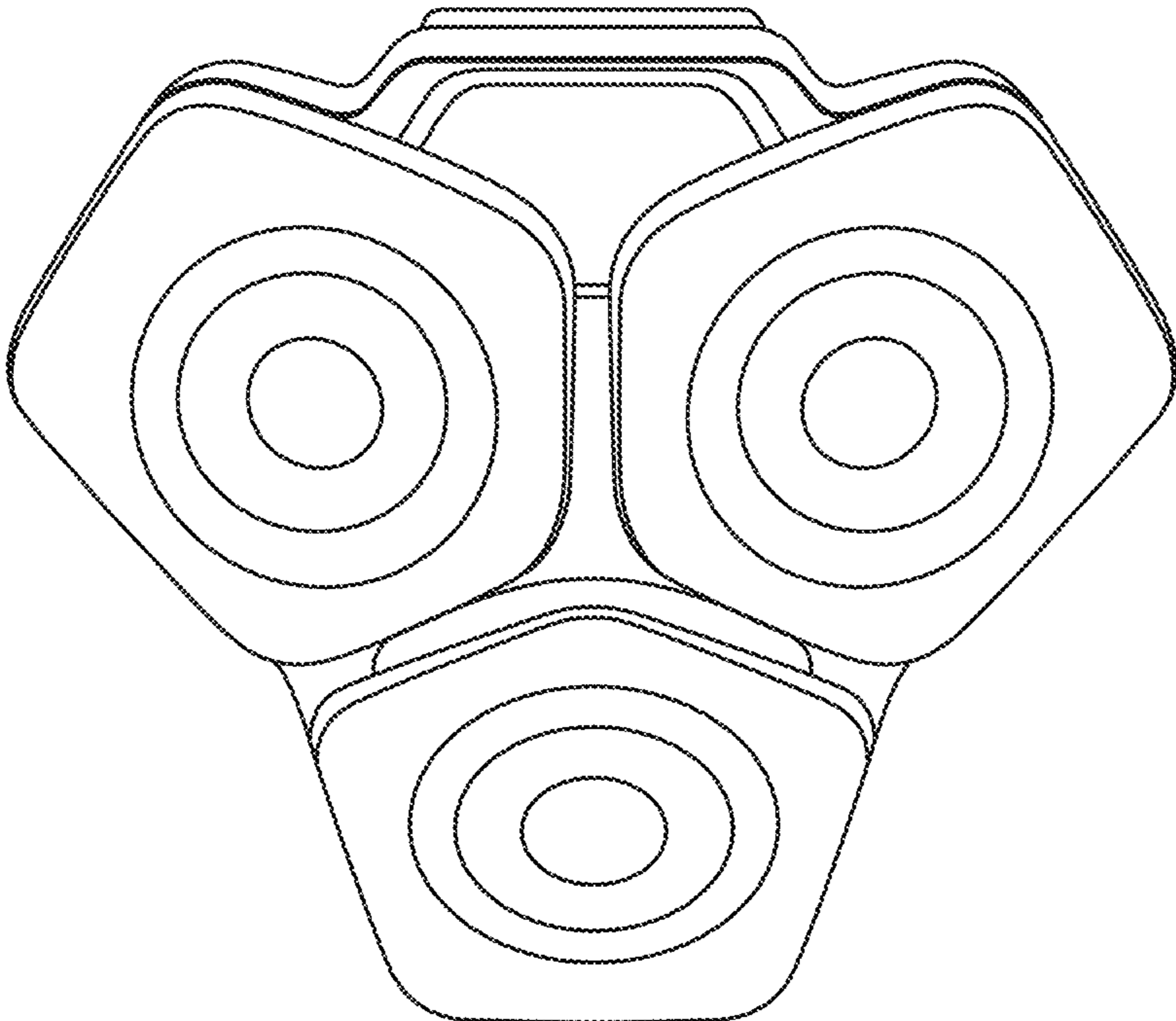


FIG. 34

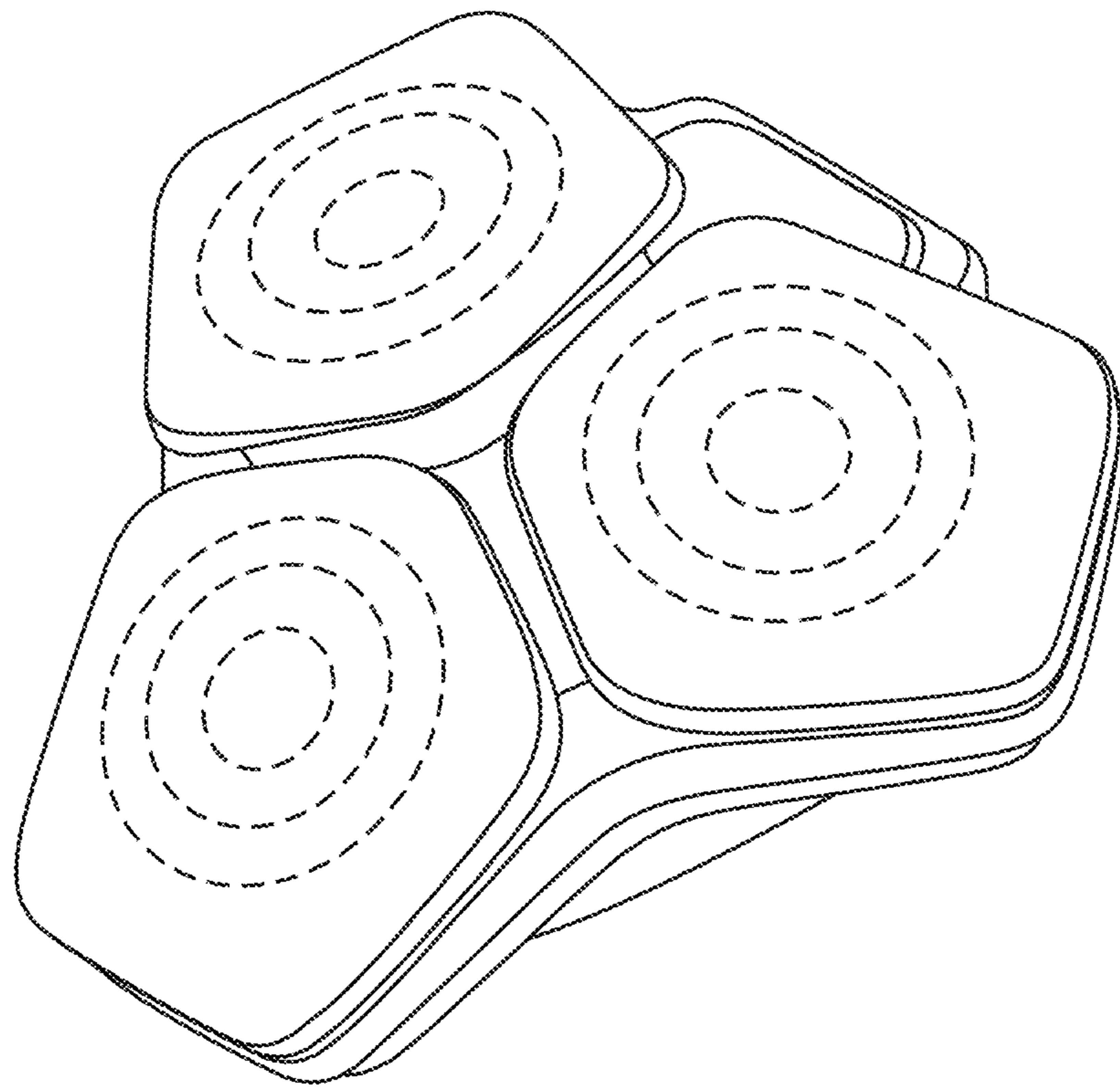


FIG. 35



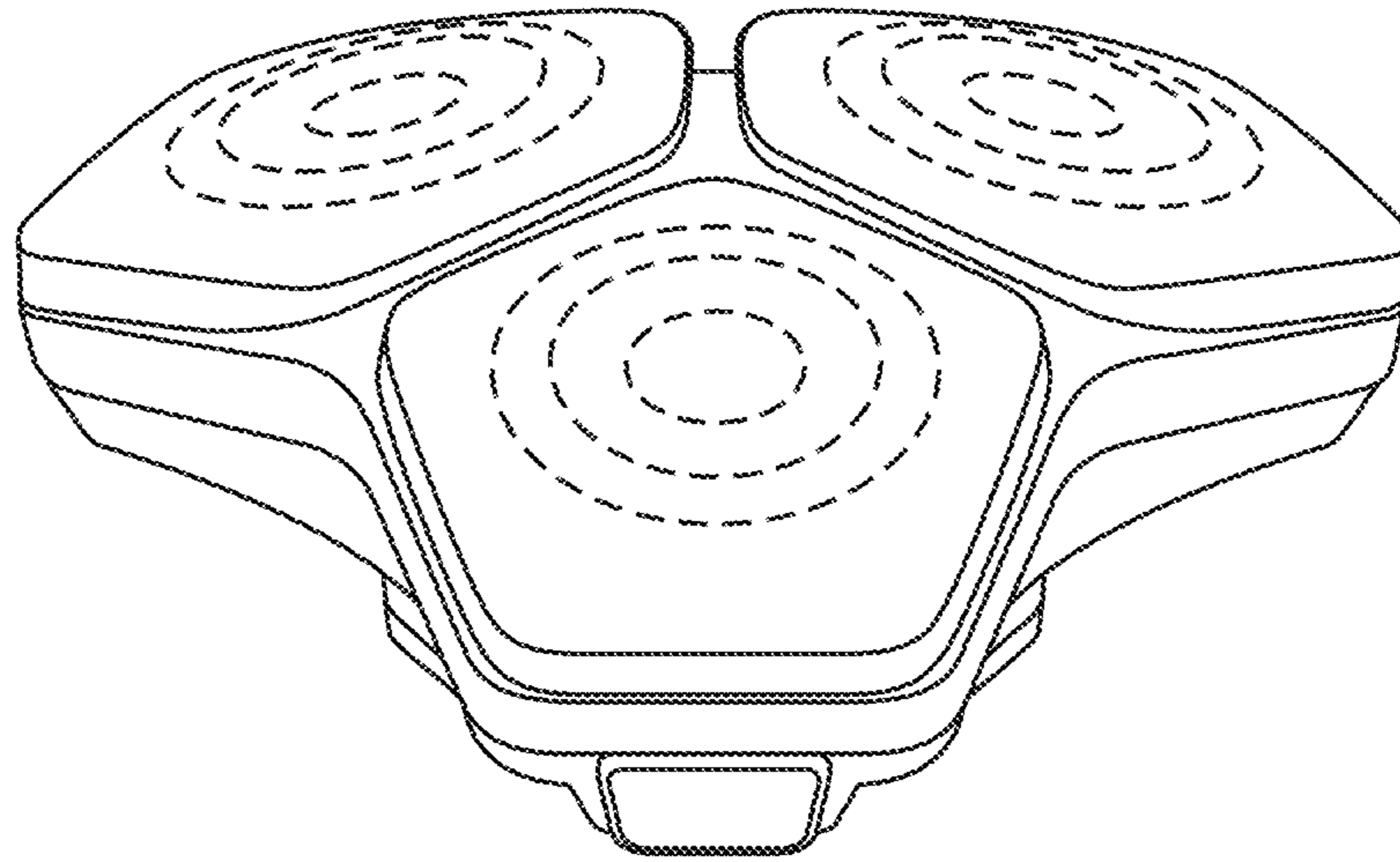


FIG. 36

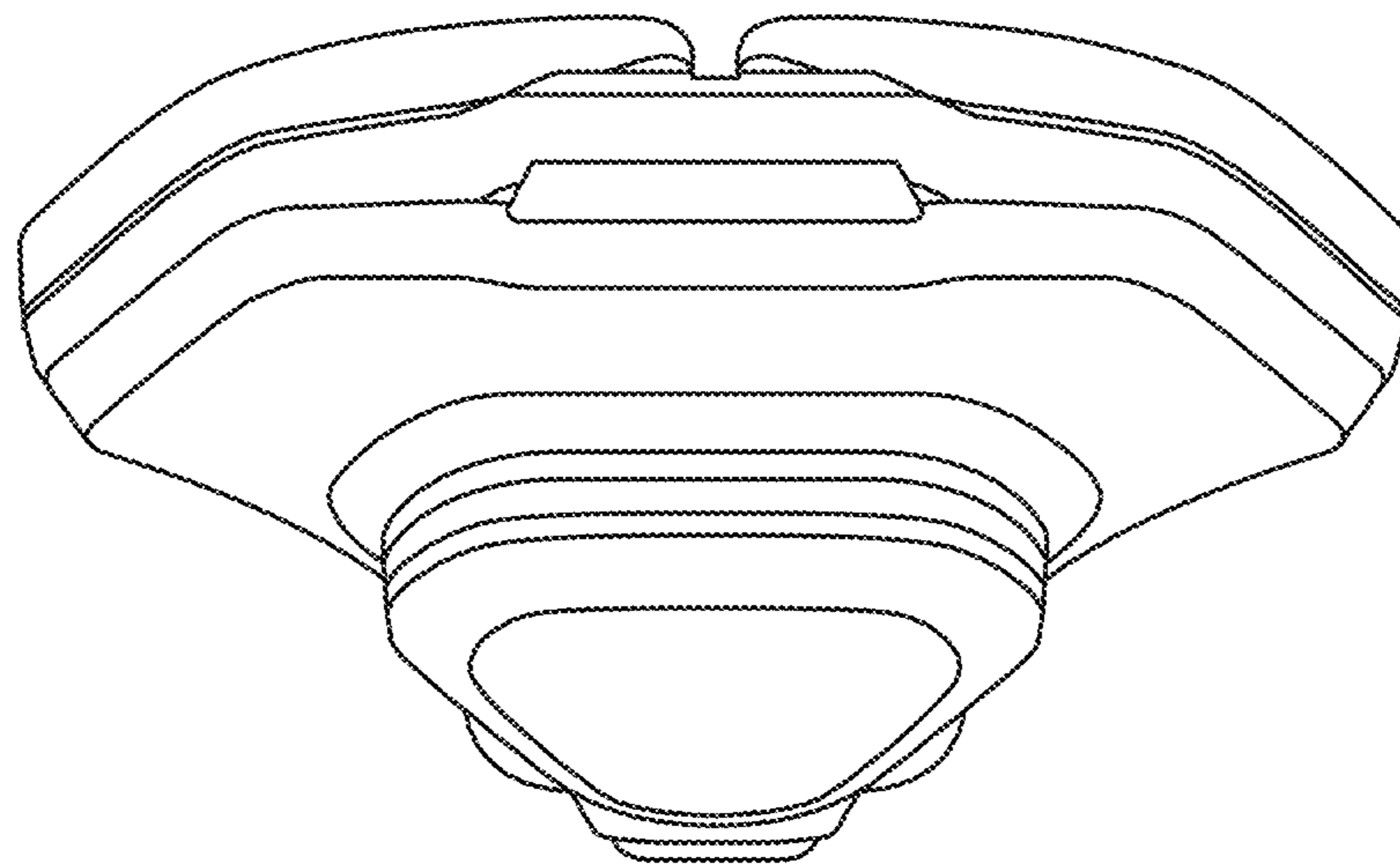


FIG. 37

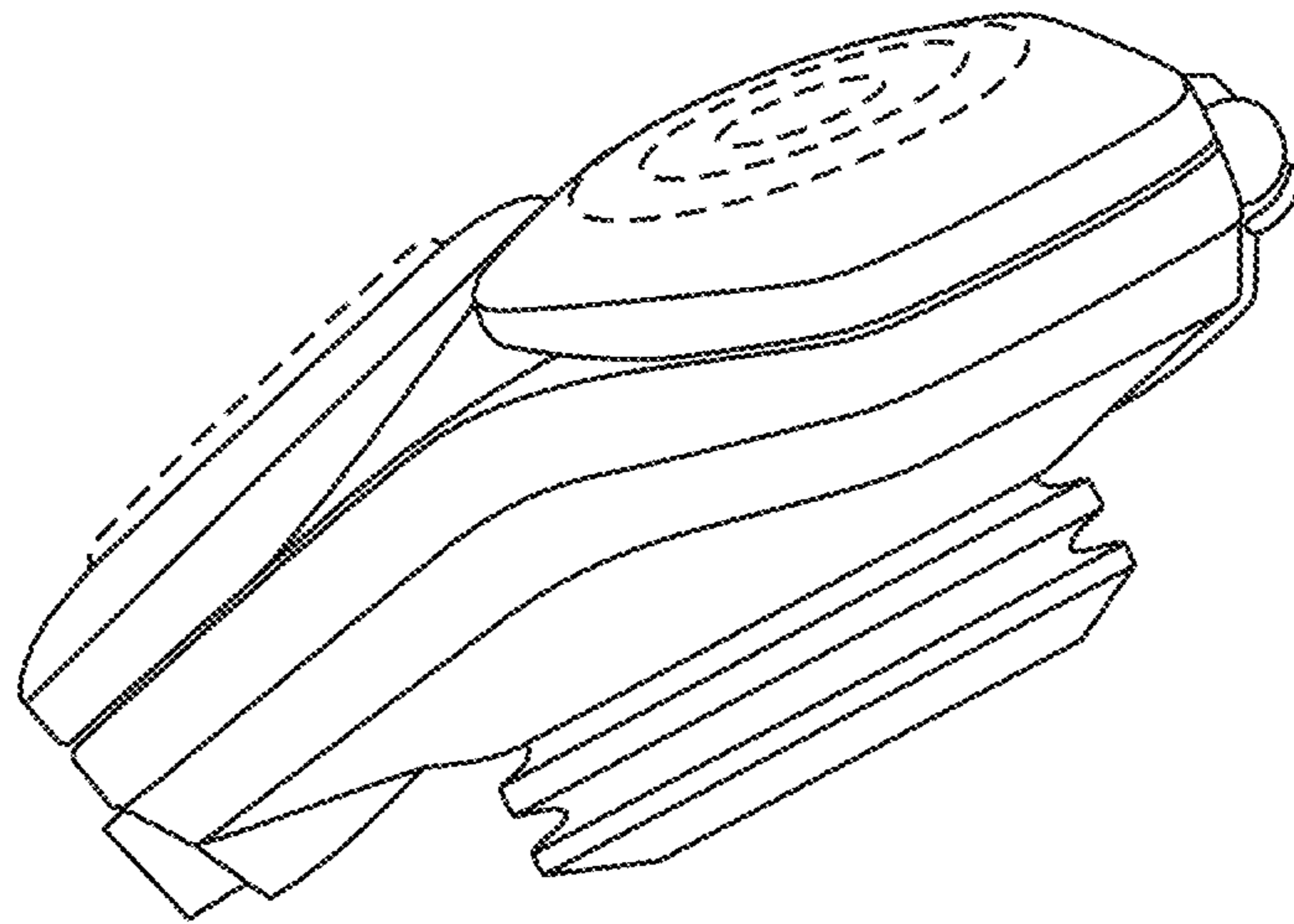


FIG. 38

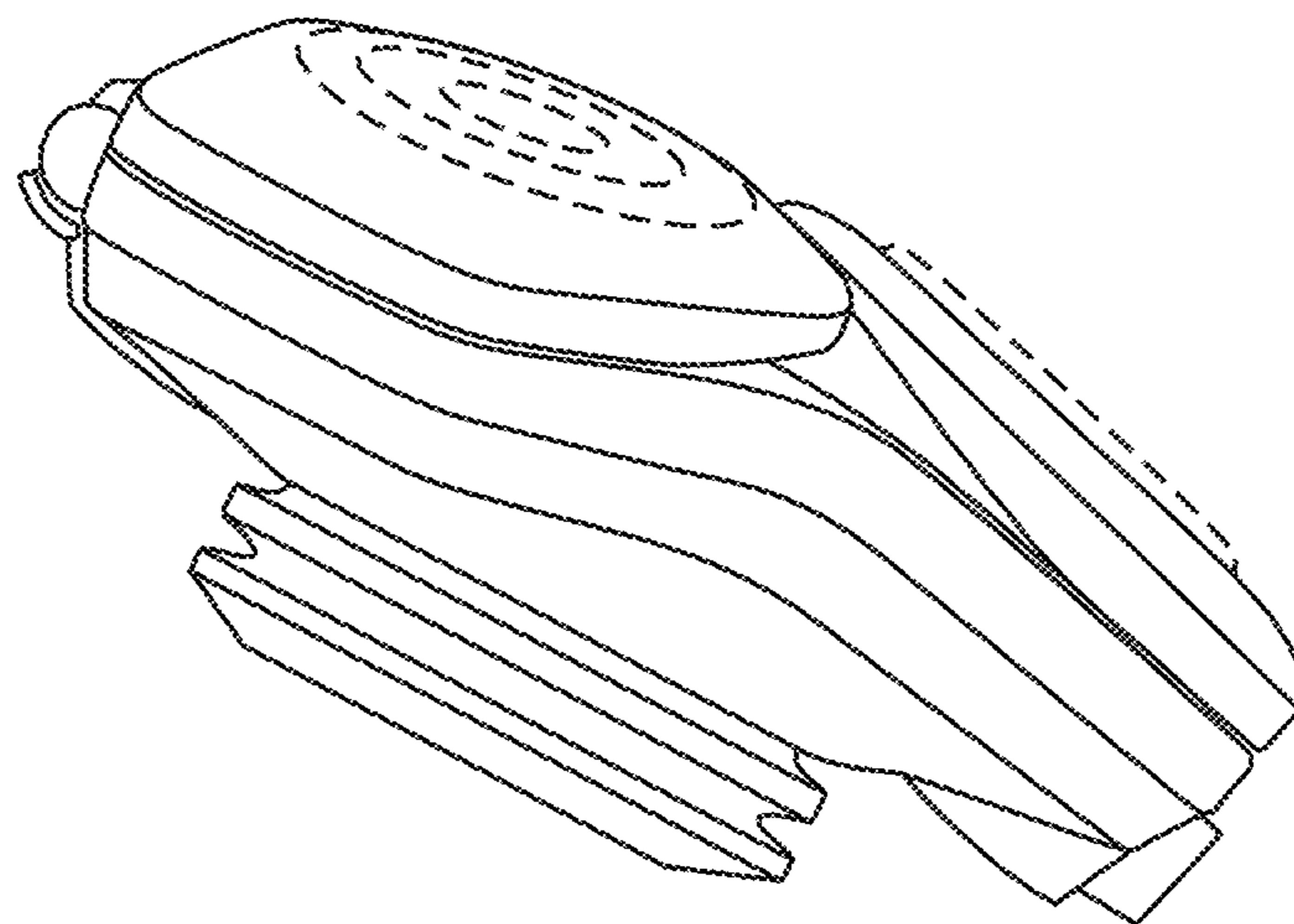


FIG. 39

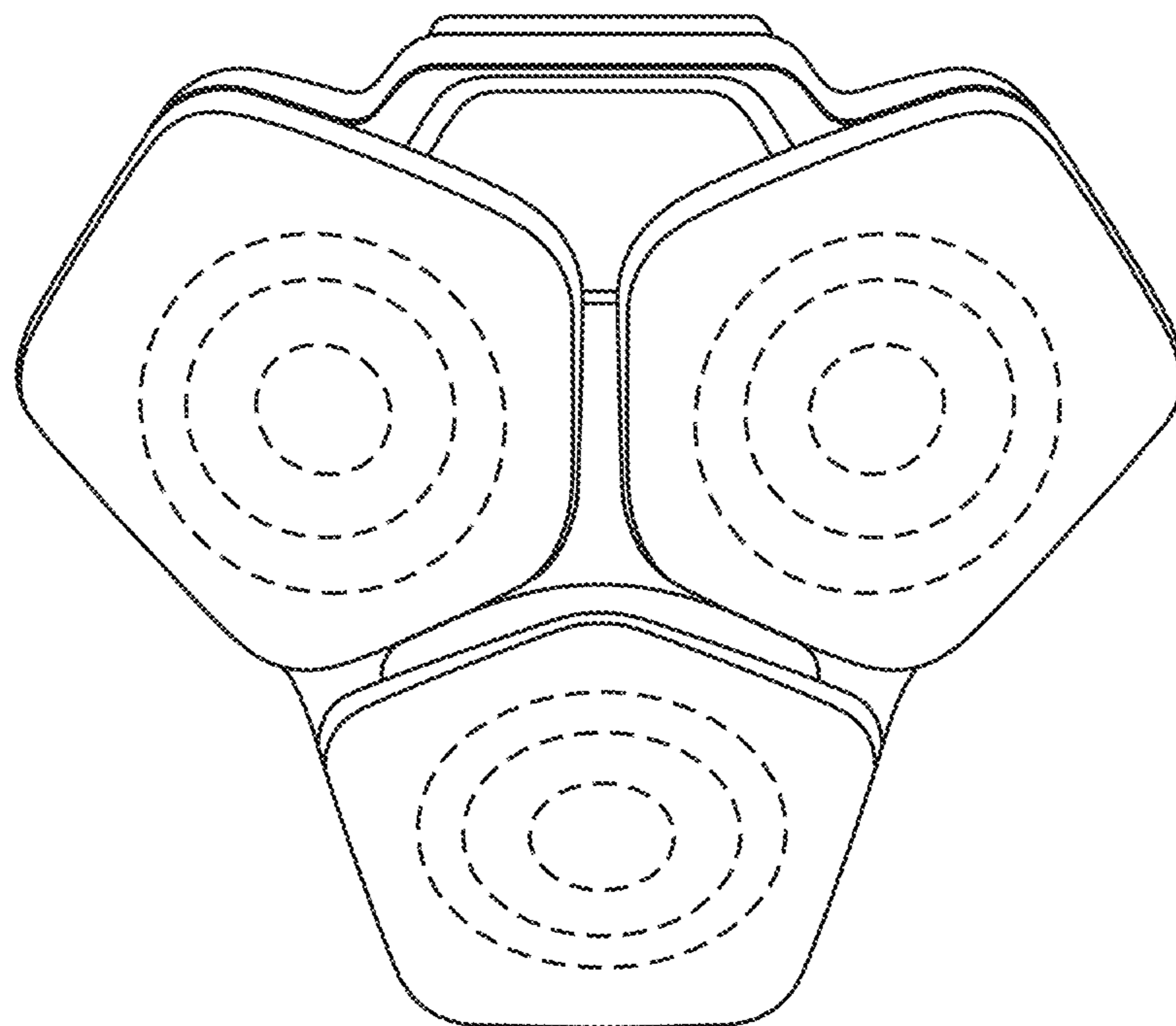


FIG. 40