



US00D963244S

(12) **United States Design Patent** (10) **Patent No.:** **US D963,244 S**  
**Goeder et al.** (45) **Date of Patent:** **\*\* Sep. 6, 2022**

- (54) **ELECTRIC DRY SHAVER** D513,344 S 12/2005 Choi
- (71) Applicant: **Braun GmbH**, Kronberg (DE) D518,236 S \* 3/2006 Butcher ..... D28/51  
7,065,879 B2 \* 6/2006 Bader ..... B26B 19/384  
30/346.51
- (72) Inventors: **Philipp Goeder**, Frankfurt (DE); D567,446 S 4/2008 Hara et al.  
**Gregor Ptok**, Frankfurt (DE); D586,955 S 2/2009 Eigenstetter et al.  
**Bernhard Sikora**, Kelkheim (DE); D604,907 S 11/2009 Emminger  
**Wolfgang Stegmann**, Frankfurt (DE); D628,745 S 12/2010 Dingelstad  
D648,895 S 11/2011 Ino  
D649,290 S 11/2011 Ino  
D657,912 S 4/2012 Yoon
- (73) Assignee: **Braun GMBH**, Kronberg (DE) D675,377 S \* 1/2013 Boulanger ..... D28/46  
D689,242 S 9/2013 Grabes et al.  
D690,880 S 10/2013 Grabes et al.  
D696,458 S 12/2013 Ino  
D698,084 S 1/2014 Yoon  
D698,492 S 1/2014 Grabes et al.
- (\*\*) Term: **15 Years**
- (21) Appl. No.: **29/781,600**
- (22) Filed: **Apr. 30, 2021**

**Related U.S. Application Data**

- (62) Division of application No. 29/709,111, filed on Oct. 11, 2019, now Pat. No. Des. 921,985, which is a division of application No. 29/598,471, filed on Mar. 27, 2017, now Pat. No. Des. 868,377.

**Foreign Application Priority Data**

- Sep. 28, 2016 (WO) ..... 968861101
- Nov. 10, 2016 (WO) ..... 1336501
- (51) **LOC (13) Cl.** ..... **28-03**
- (52) **U.S. Cl.**  
USPC ..... **D28/51**
- (58) **Field of Classification Search**  
USPC ..... D28/49-54  
CPC .... B26B 19/00-048; B26B 19/10-107; B26B  
19/28; B26B 19/205; B26B 19/38; B26B  
19/3806-388; B26B 19/3886  
See application file for complete search history.

**References Cited**

**U.S. PATENT DOCUMENTS**

- D356,185 S 3/1995 Rizzuto
- D454,980 S 3/2002 Long et al.

**OTHER PUBLICATIONS**

- Kemei Dry Shaver Brush, www.cdn.shopify.com, 1 page, downloaded Dec. 2018 (Year: 2018).

*Primary Examiner* — Jennifer Rivard  
(74) *Attorney, Agent, or Firm* — Kevin C. Johnson

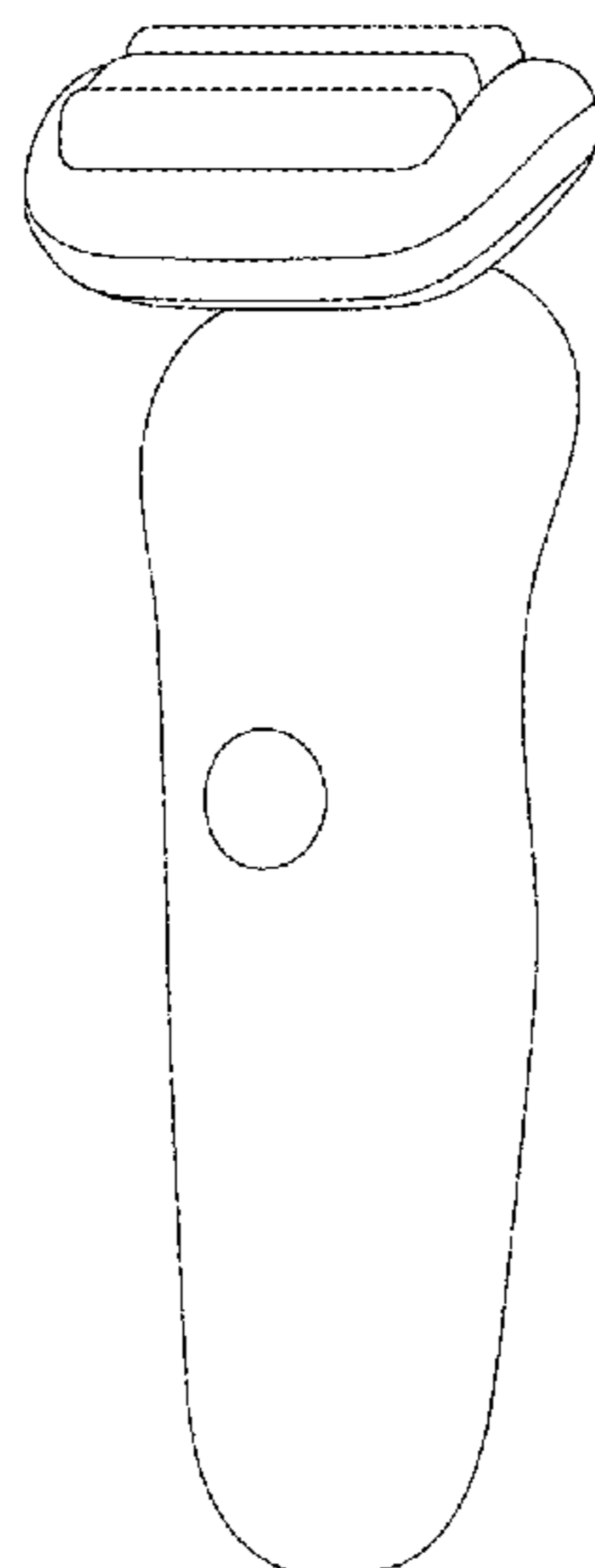
(57) **CLAIM**

The ornamental design for an electric dry shaver, as shown and described.

**DESCRIPTION**

FIG. 1 is a perspective view of an electric dry shaver; FIG. 2 is a front view thereof; FIG. 3 is a right side view thereof; FIG. 4 is a rear view thereof; FIG. 5 is a left side view thereof; FIG. 6 is a top plan view thereof; and, FIG. 7 is a bottom view thereof.

**1 Claim, 1 Drawing Sheet**



(56)

References Cited

U.S. PATENT DOCUMENTS

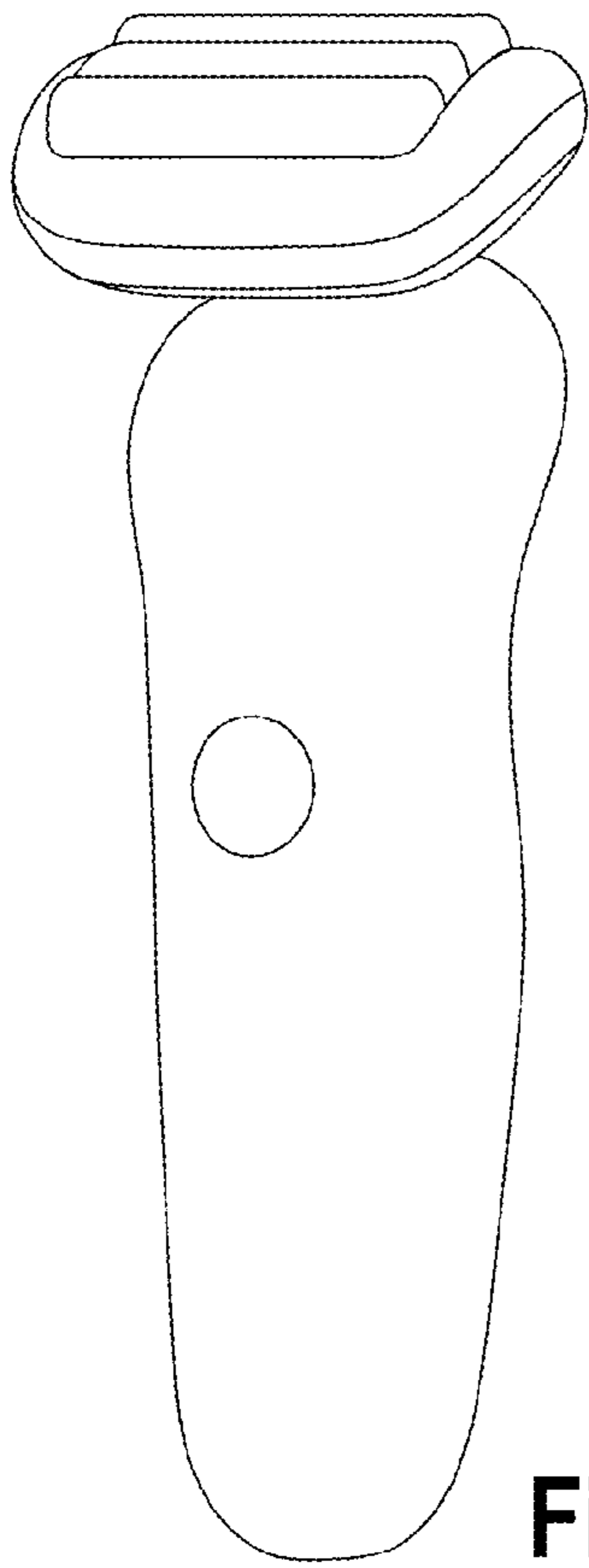
D711,594 S 8/2014 Palmer et al.  
 D713,994 S 9/2014 Grabes et al.  
 D717,001 S \* 11/2014 Uematsu ..... D28/53  
 D717,996 S \* 11/2014 Kikuchi ..... D28/51  
 D722,199 S 2/2015 Boulanger  
 D724,271 S 3/2015 Giannini  
 D733,358 S 6/2015 Palmer et al.  
 D751,252 S 3/2016 Grabes et al.  
 D752,811 S 3/2016 Okabe et al.  
 D753,342 S 4/2016 Okabe  
 D756,565 S 5/2016 Andersson  
 D760,437 S 6/2016 Emminger  
 D763,509 S 8/2016 Teteak et al.  
 D767,207 S 9/2016 Dekliein  
 D768,391 S 10/2016 Kling et al.  
 D771,315 S 11/2016 Andersson et al.  
 D781,588 S 3/2017 Lee  
 D784,618 S 4/2017 Mori et al.  
 D799,118 S 10/2017 Ino  
 D800,965 S 10/2017 Aulwes et al.  
 D802,214 S 11/2017 Mintz et al.  
 D804,189 S 12/2017 Von Berg  
 D813,457 S 3/2018 Okabe et al.  
 D813,458 S 3/2018 Okabe et al.  
 9,962,842 B2 \* 5/2018 Komori ..... B26B 19/12  
 D819,338 S 6/2018 Xiong  
 10,080,428 B2 9/2018 Kern  
 D829,445 S 10/2018 Kern  
 D851,835 S 6/2019 Gross  
 D853,648 S 7/2019 Boulanger et al.  
 10,421,202 B2 \* 9/2019 Erndt ..... B26B 19/10  
 D866,072 S 11/2019 Chen  
 D866,861 S 11/2019 Dawson et al.  
 D867,663 S 11/2019 Boulanger  
 D868,377 S 11/2019 Goeder et al.  
 10,486,316 B2 11/2019 Erndt et al.  
 10,486,318 B2 11/2019 Bady et al.  
 D872,366 S 1/2020 Cociffi et al.  
 10,532,473 B2 \* 1/2020 Krauss ..... B26B 19/046  
 10,556,354 B2 \* 2/2020 Erndt ..... B26B 19/063  
 D879,377 S 3/2020 Dawson et al.  
 D883,573 S 5/2020 Cociffi et al.  
 10,702,999 B2 7/2020 Iaccarino et al.  
 10,751,893 B2 \* 8/2020 Okura ..... B26B 19/143  
 D899,690 S \* 10/2020 de Belizal ..... D28/53  
 D905,909 S 12/2020 Wang  
 D908,962 S 1/2021 Tran  
 10,906,195 B2 \* 2/2021 Bady ..... B26B 19/20  
 D921,985 S \* 6/2021 Goeder ..... D28/51  
 D922,682 S \* 6/2021 Sikora ..... D28/51  
 D930,245 S \* 9/2021 de Belizal ..... D28/53  
 D942,082 S 1/2022 Goeder et al.  
 D942,083 S 1/2022 Goeder et al.  
 D942,686 S 2/2022 Goeder et al.  
 2006/0010630 A1 1/2006 Tse  
 2012/0192436 A1 8/2012 Toy  
 2013/0023806 A1 1/2013 Ungemach et al.  
 2013/0097871 A1 4/2013 Yamaguchi et al.  
 2015/0314461 A1 11/2015 Man Wong et al.  
 2016/0031099 A1 2/2016 Provolo et al.

2016/0176058 A1 6/2016 Piesker et al.  
 2017/0190063 A1 \* 7/2017 Schratte ..... B26B 19/042  
 2018/0085940 A1 3/2018 Krauss et al.  
 2018/0085945 A1 3/2018 Bady et al.  
 2018/0092449 A1 4/2018 Straka et al.  
 2018/0311842 A1 11/2018 Kraus et al.  
 2018/0319026 A1 11/2018 Hayashi et al.  
 2019/0299433 A1 \* 10/2019 Fuerst ..... B26B 19/048  
 2019/0299438 A1 \* 10/2019 Erndt ..... B26B 19/3866  
 2021/0031386 A1 \* 2/2021 Neyer ..... B26B 19/382  
 2021/0268674 A1 \* 9/2021 Weschta ..... B26B 19/386

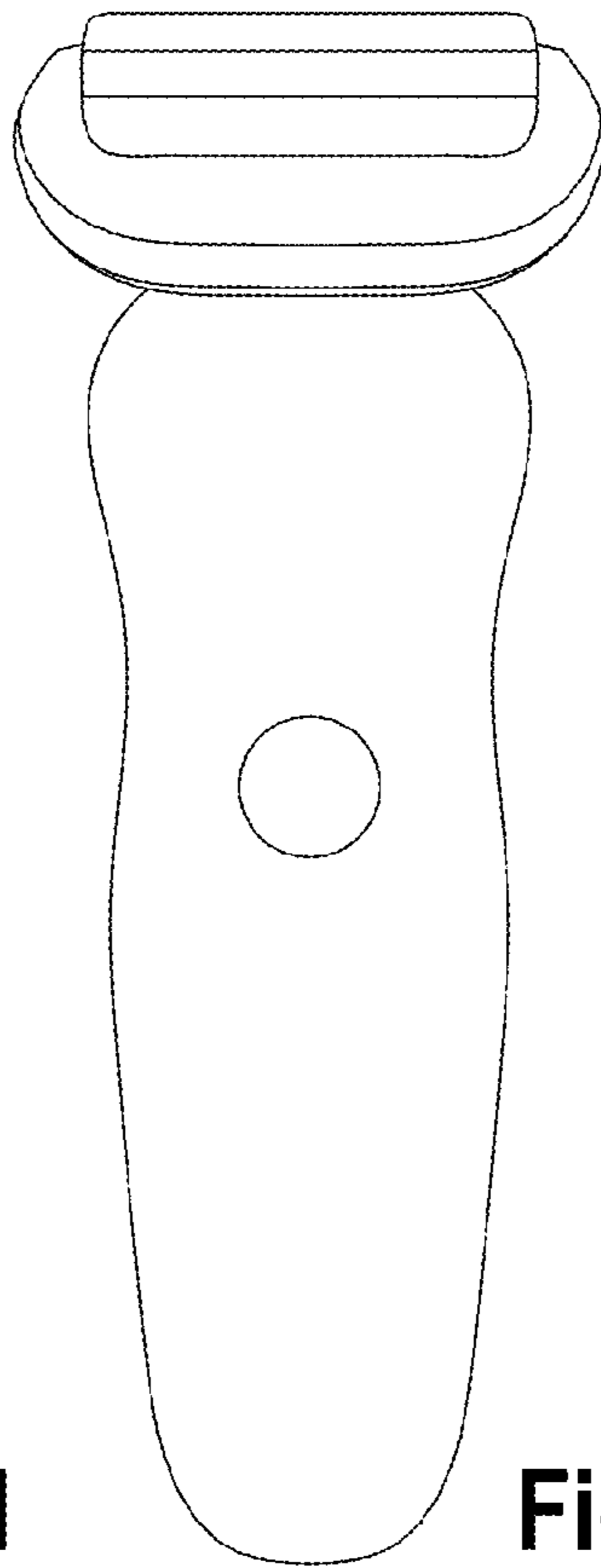
OTHER PUBLICATIONS

Philips Series 7000, www.philips.co.uk, 1 page, downloaded Dec. 2018 (Year: 2018).  
 U.S. Appl. No. 29/781,651, filed Apr. 30, 2021, Philipp Goeder et al.  
 U.S. Appl. No. 29/781,656, filed Apr. 30, 2021, Philipp Goeder et al.  
 U.S. Appl. No. 29/781,663, filed Apr. 30, 2021, Philipp Goeder et al.  
 U.S. Appl. No. 29/781,558, filed Apr. 30, 2021, Philipp Goeder et al.  
 U.S. Appl. No. 29/781,564, filed Apr. 30, 2021, Philipp Goeder et al.  
 U.S. Appl. No. 29/781,606, filed Apr. 30, 2021, Philipp Goeder et al.  
 U.S. Appl. No. 29/781,610, filed Apr. 30, 2021, Philipp Goeder et al.  
 U.S. Appl. No. 29/781,617, filed Apr. 30, 2021, Philipp Goeder et al.  
 U.S. Appl. No. 29/781,624, filed Apr. 30, 2021, Philipp Goeder et al.  
 U.S. Appl. No. 29/781,553, filed Apr. 30, 2021, Philipp Goeder et al.  
 All Office Actions; U.S. Appl. No. 29/598,471, filed Mar. 27, 2017.  
 All Office Actions; U.S. Appl. No. 29/709,111, filed Oct. 11, 2019.  
 All Office Actions; U.S. Appl. No. 29/781,553, filed Apr. 30, 2021.  
 All Office Actions; U.S. Appl. No. 29/781,558, filed Apr. 30, 2021.  
 All Office Actions; U.S. Appl. No. 29/781,564, filed Apr. 30, 2021.  
 All Office Actions; U.S. Appl. No. 29/781,606, filed Apr. 30, 2021.  
 All Office Actions; U.S. Appl. No. 29/781,610, filed Apr. 30, 2021.  
 All Office Actions; U.S. Appl. No. 29/781,617, filed Apr. 30, 2021.  
 All Office Actions; U.S. Appl. No. 29/781,624, filed Apr. 30, 2021.  
 All Office Actions; U.S. Appl. No. 29/781,627, filed 04-30-202.  
 All Office Actions; U.S. Appl. No. 29/781,635, filed Apr. 30, 2021.  
 All Office Actions; U.S. Appl. No. 29/781,642, filed U.S. Appl. No. 29/781,642.  
 All Office Actions; U.S. Appl. No. 29/781,651, filed Apr. 30, 2021.  
 All Office Actions; U.S. Appl. No. 29/781,656, filed Apr. 30, 2021.  
 All Office Actions; U.S. Appl. No. 29/781,663, filed Apr. 30, 2021.  
 All Office Actions; U.S. Appl. No. 29/781,627, filed Apr. 30, 2021.  
 URL Link:https://www.amazon.com/Braun-Trimmer-Cordless-Rechargeable-Clipper/dp/B07XZS N2N3?th=1Braun Beard Trimmer BT3221, reviewed as early as May 2020, 1 page (Year: 2020).

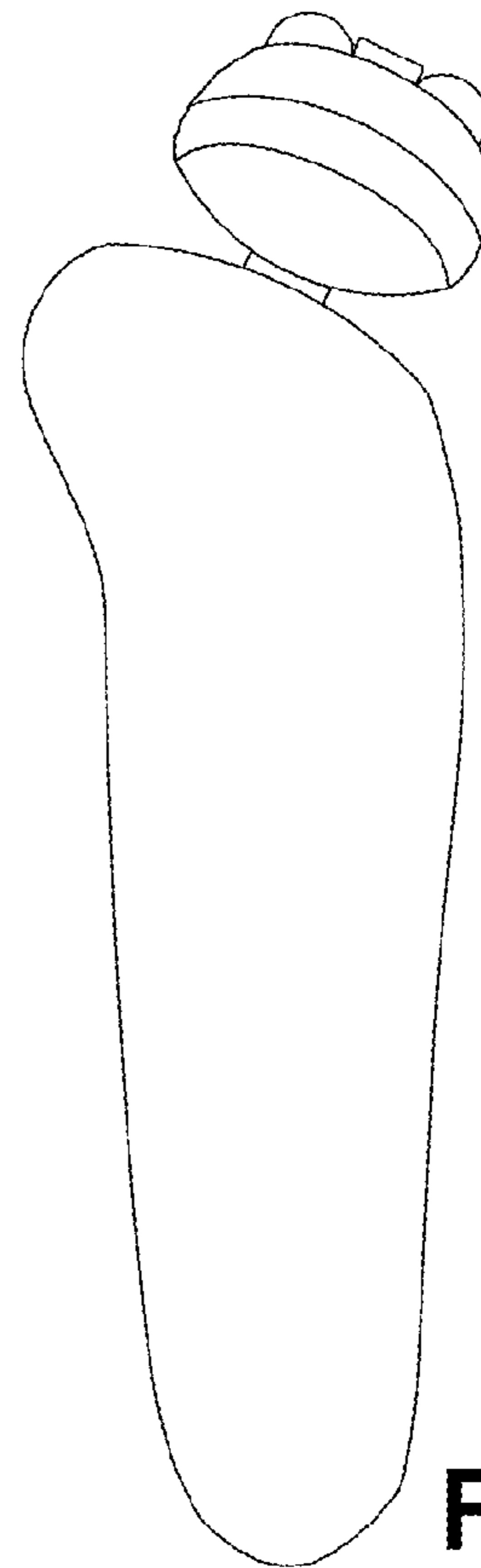
\* cited by examiner



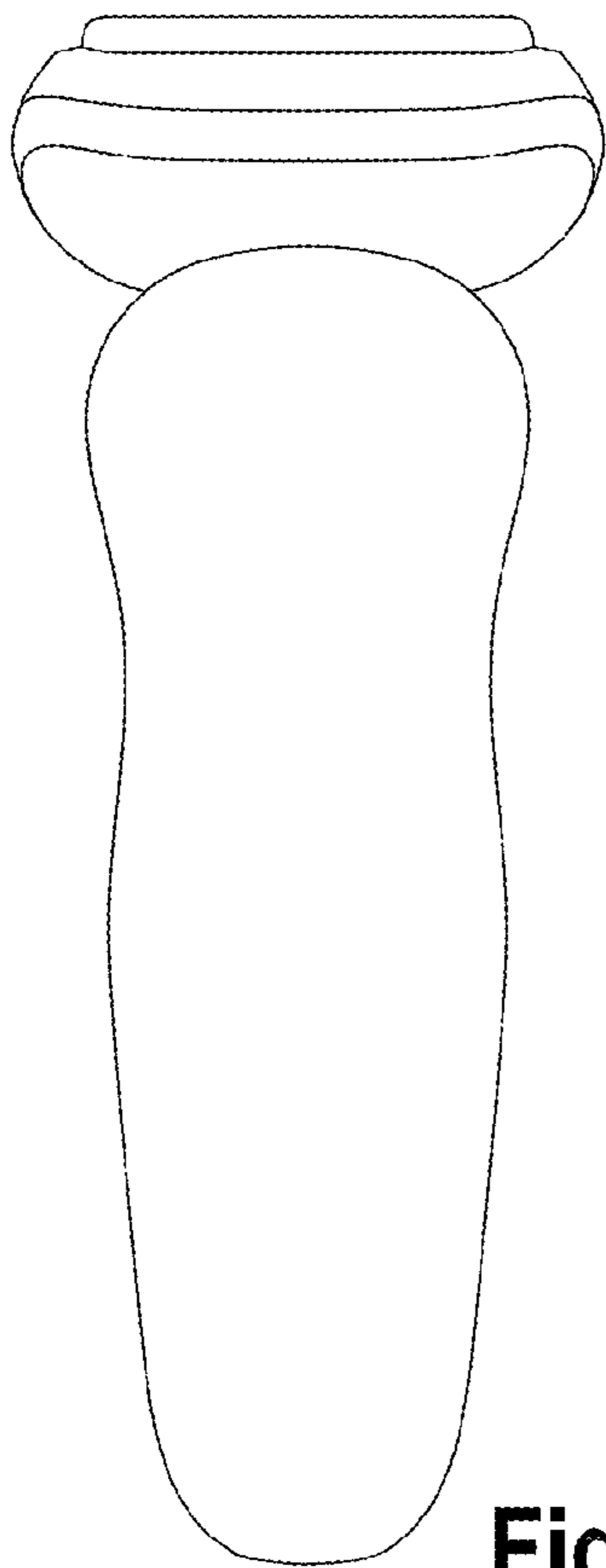
**Fig. 1**



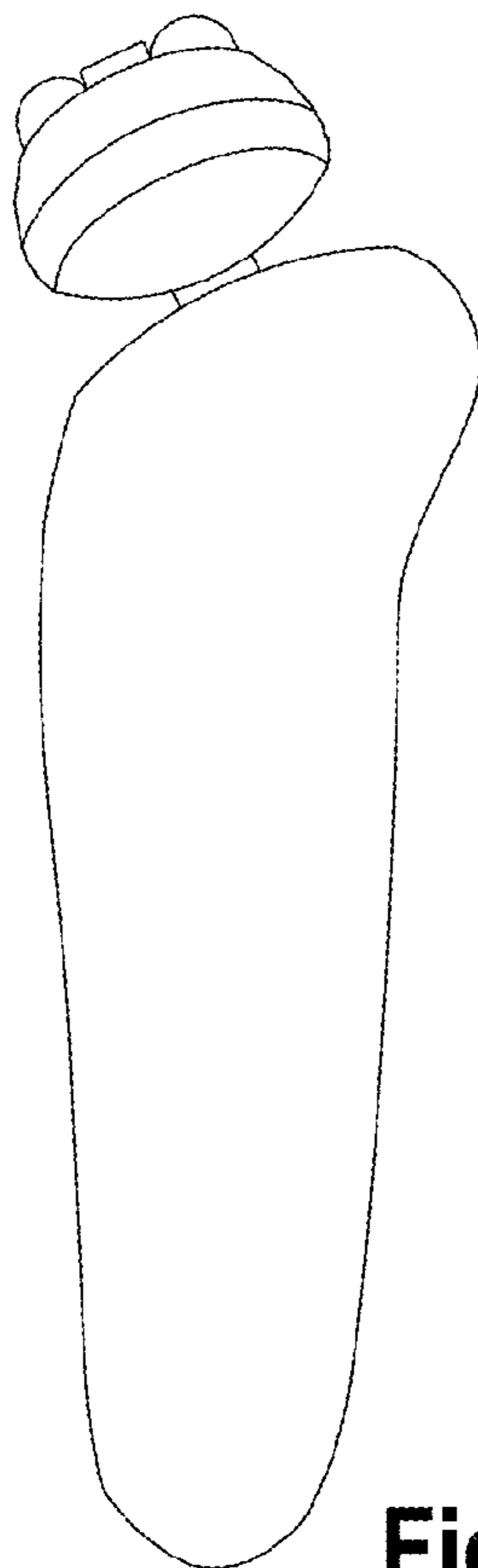
**Fig. 2**



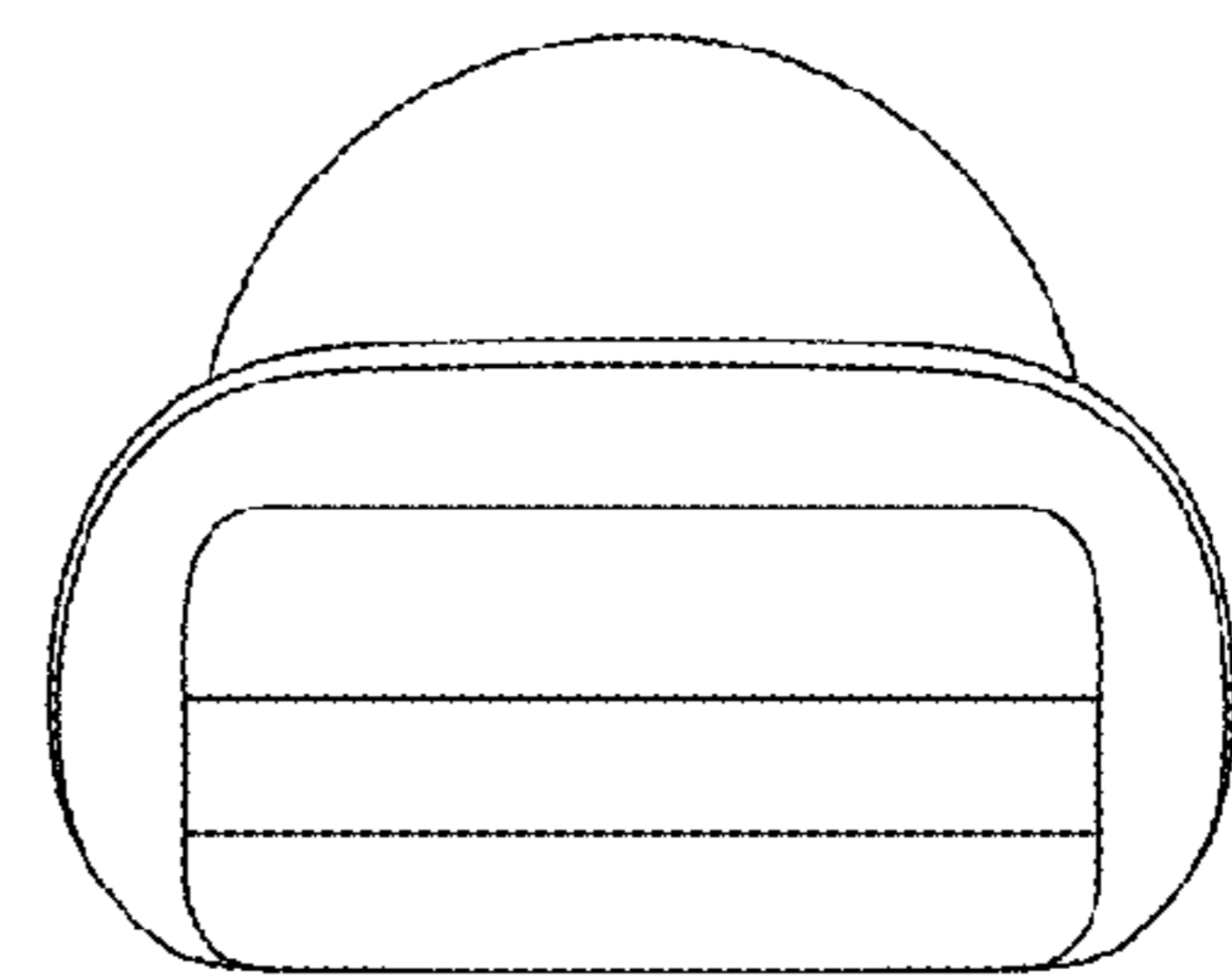
**Fig. 3**



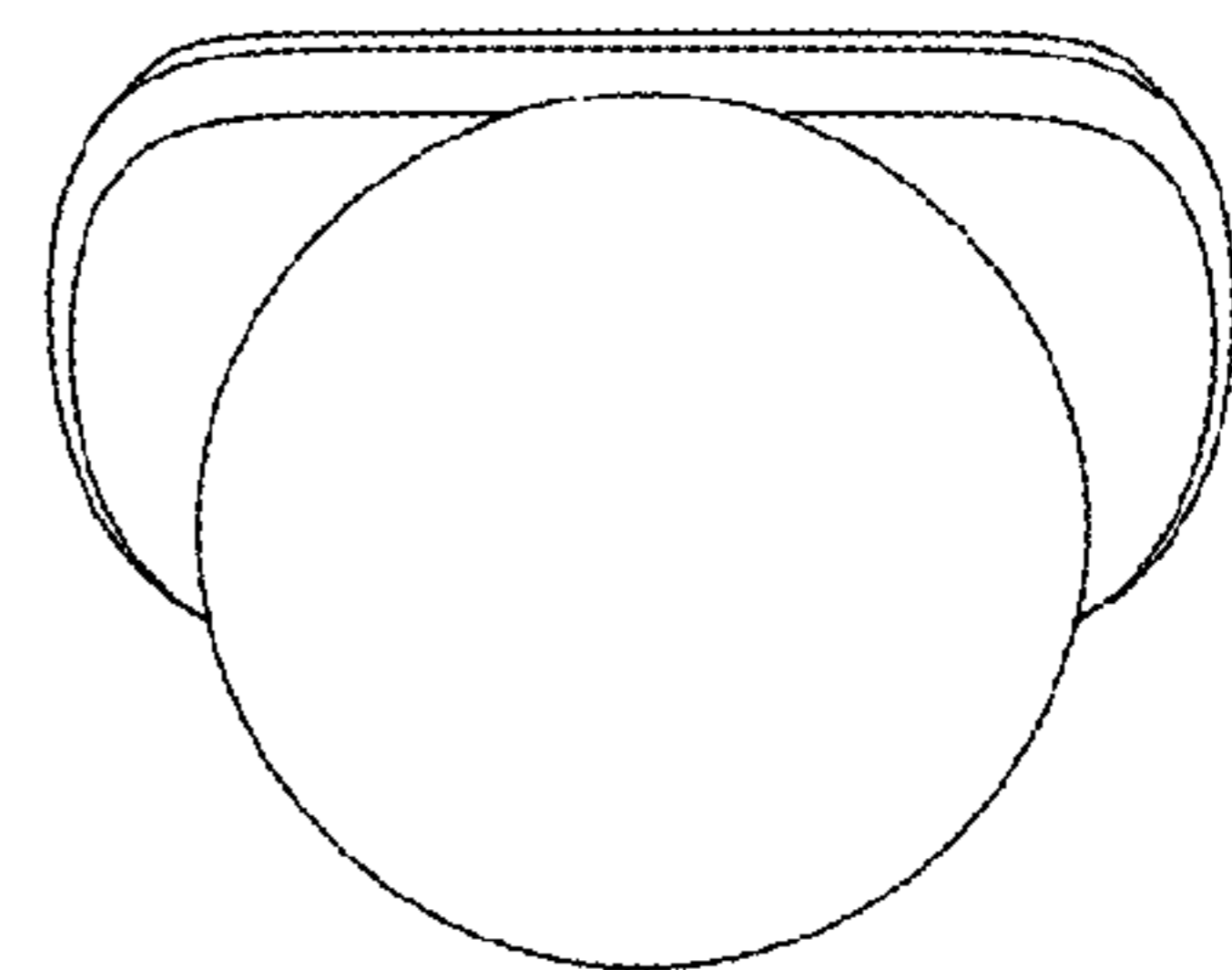
**Fig. 4**



**Fig. 5**



**Fig. 6**



**Fig. 7**