



US00D963238S

(12) **United States Design Patent**
Fornarelli

(10) **Patent No.:** **US D963,238 S**
(45) **Date of Patent:** **** Sep. 6, 2022**

- (54) **VAPORIZER ASSEMBLY**
- (71) Applicant: **AVANZATO TECHNOLOGY CORP.**,
Chicago, IL (US)
- (72) Inventor: **Thomas Fornarelli**, Chicago, IL (US)
- (73) Assignee: **14TH ROUND INC.**, Van Nuys, CA
(US)

| | | | |
|-------------------|---------|------------------|--------------|
| D902,476 S * | 11/2020 | Liu | D27/162 |
| D908,953 S * | 1/2021 | Fornarelli | D27/162 |
| D914,281 S * | 3/2021 | Vora | D27/194 |
| D918,466 S * | 5/2021 | Yan | D27/162 |
| D921,980 S * | 6/2021 | Xu | D27/172 |
| D927,056 S * | 8/2021 | Zeng | D27/162 |
| D929,649 S * | 8/2021 | Wang | D27/162 |
| D930,234 S * | 9/2021 | Wang | D27/162 |
| D943,165 S * | 2/2022 | Liu | D27/162 |
| 2021/0196574 A1 * | 7/2021 | Fornarelli | B65D 83/0409 |

(**) Term: **15 Years**

(21) Appl. No.: **29/681,167**

(22) Filed: **Feb. 22, 2019**

Related U.S. Application Data

- (63) Continuation-in-part of application No. 29/661,357,
filed on Aug. 27, 2018, now Pat. No. Des. 908,953.
- (51) **LOC (13) Cl.** **27-02**
- (52) **U.S. Cl.**
USPC **D27/162**
- (58) **Field of Classification Search**
USPC D27/162, 100, 163-165, 172, 180-183,
D27/185-194; D23/366; D13/108
CPC A24F 47/002; A24F 47/004; A24F 47/006;
A24F 47/008; A61M 15/00; A61M 15/06
See application file for complete search history.

(56) **References Cited**

U.S. PATENT DOCUMENTS

| | | | |
|--------------|---------|-----------------|---------|
| D656,230 S * | 3/2012 | Robinson | D23/363 |
| D705,918 S * | 5/2014 | Robinson | D23/360 |
| D800,380 S * | 10/2017 | Williams | D27/163 |
| D824,504 S * | 7/2018 | Williams | D23/360 |
| D870,369 S * | 12/2019 | Greenbaum | D27/162 |
| D884,267 S * | 5/2020 | Wang | D27/162 |
| D898,992 S * | 10/2020 | Chen | D27/162 |
| D901,761 S * | 11/2020 | Zhu | D27/162 |

OTHER PUBLICATIONS

Freemax Onnix 2 15W Pod System By: Freemax found on line (Feb. 28, 2022) <https://vapordna.com/collections/whats-new/products/freemax-onnix-2-15w-pod-system> (Feb. 1, 2022).*

* cited by examiner

Primary Examiner — Rebecca Tsehaye
(74) *Attorney, Agent, or Firm* — Flener IP & Business
Law; Zareefa B. Flener; Ayhan E. Mertogul

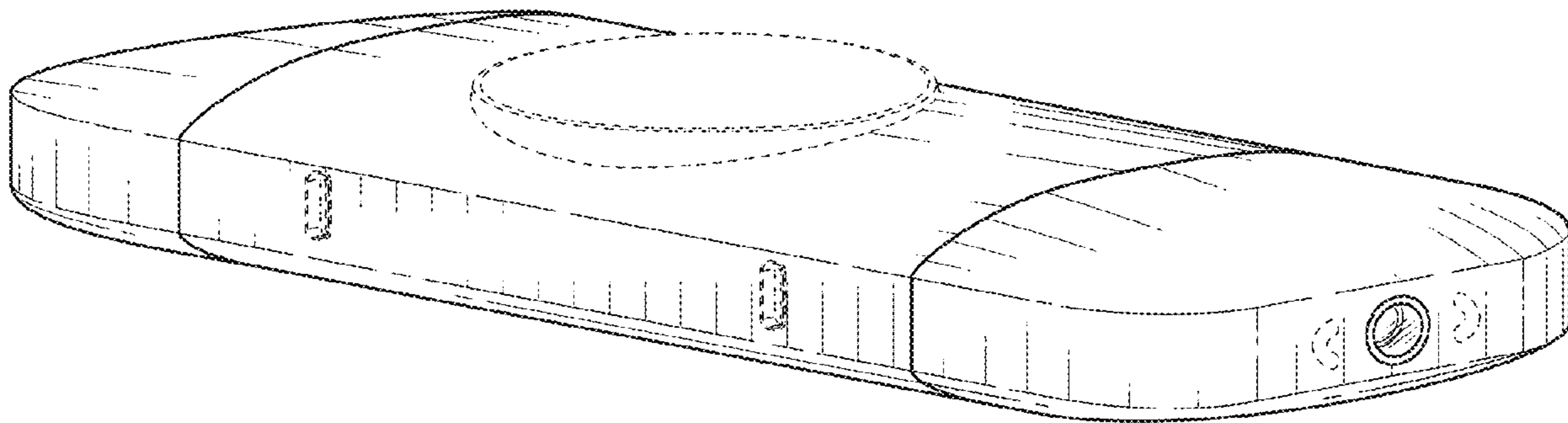
(57) **CLAIM**

The ornamental design for a vaporizer assembly, thereof as shown and described.

DESCRIPTION

FIG. 1 is a top left perspective view of a vaporizer assembly, in accordance with my new design;
FIG. 2 is a bottom left perspective view thereof;
FIG. 3 is a front elevational view thereof;
FIG. 4 is a back elevational view thereof;
FIG. 5 is a left elevational view thereof;
FIG. 6 is a right elevational view thereof;
FIG. 7 is a top plan view thereof; and,
FIG. 8 is a bottom plan view thereof.
A broken line showing is for illustrative purposes only and forms no part of the claimed design.

1 Claim, 4 Drawing Sheets



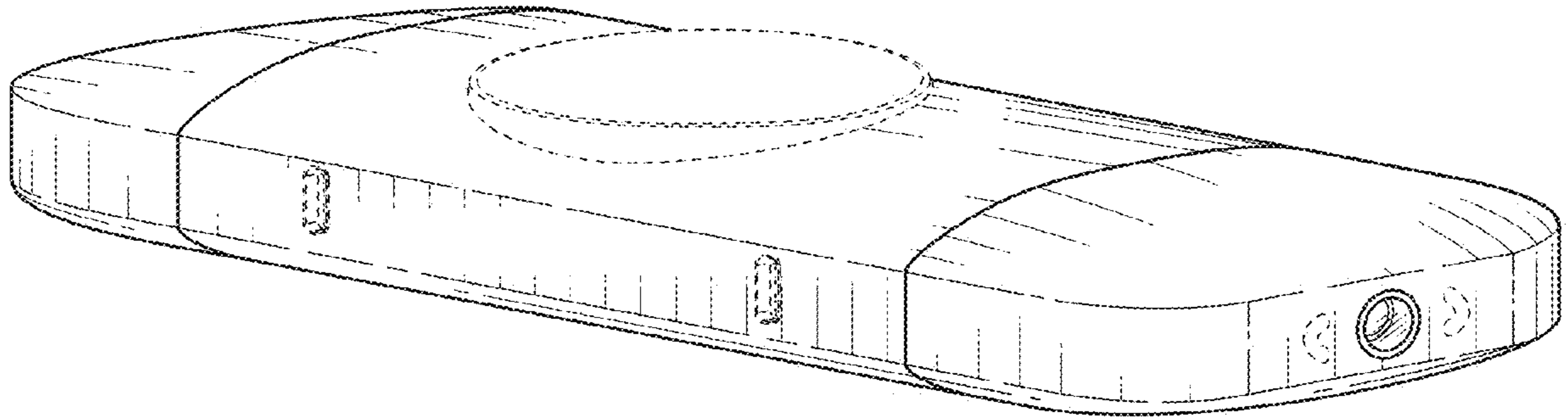


FIG. 1

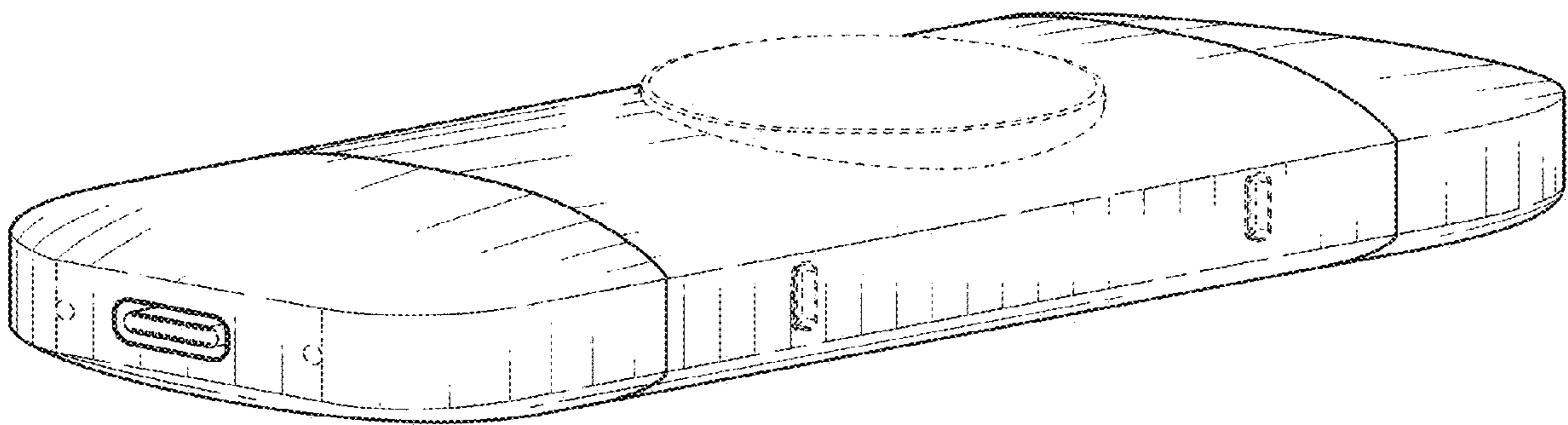


FIG. 2

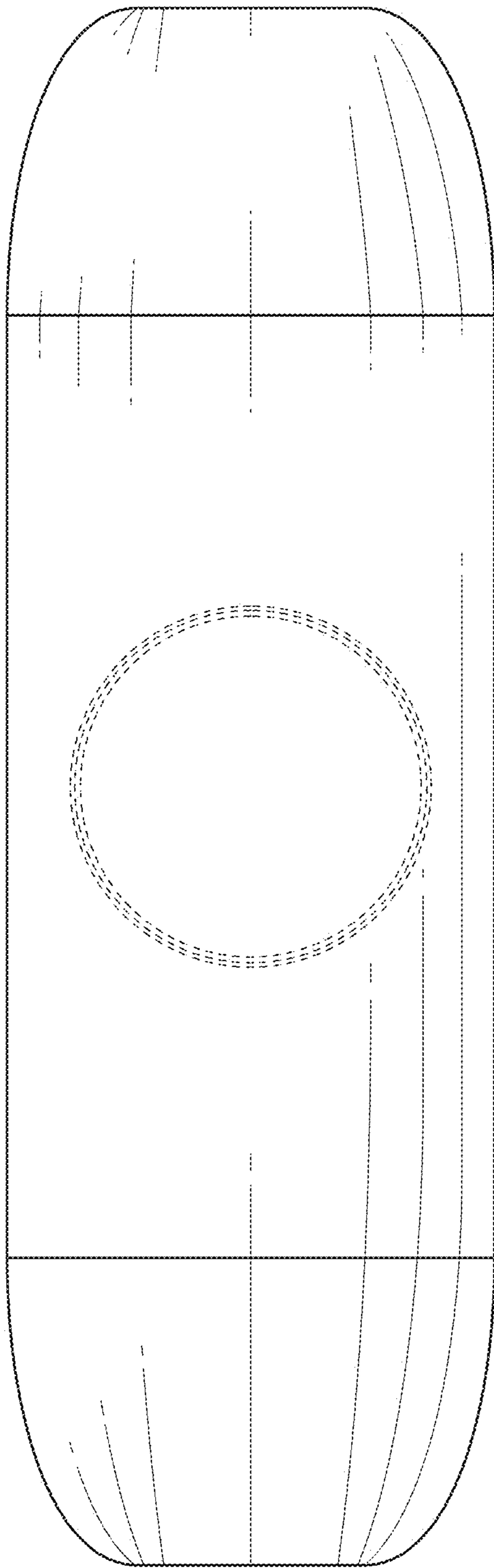


FIG. 3

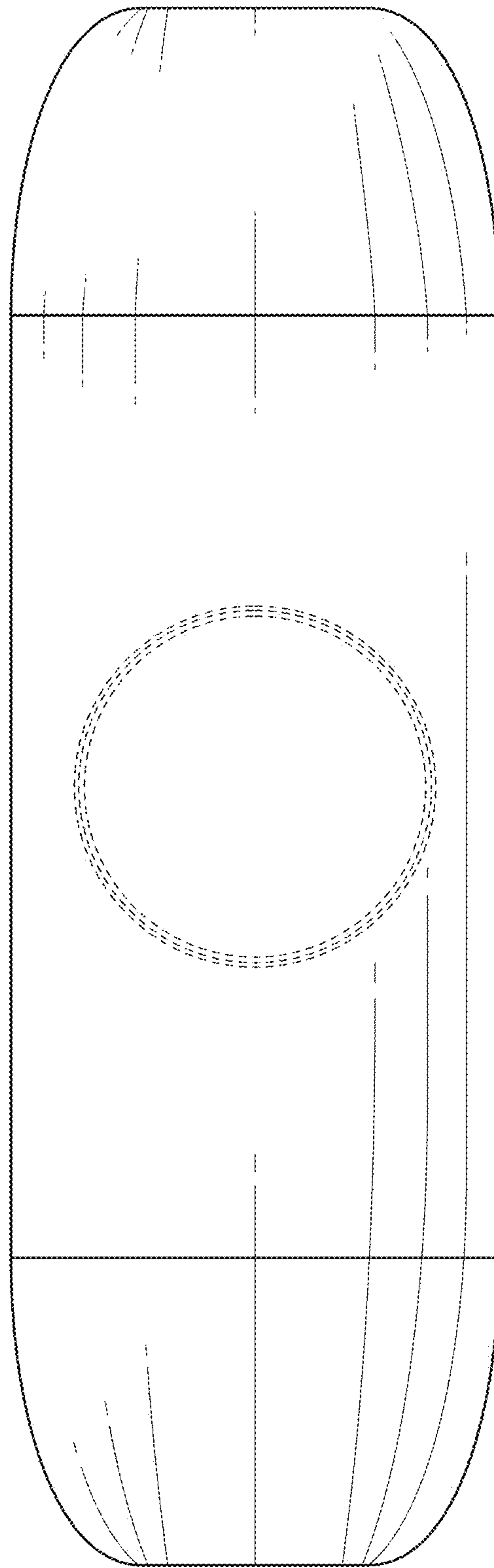


FIG. 4

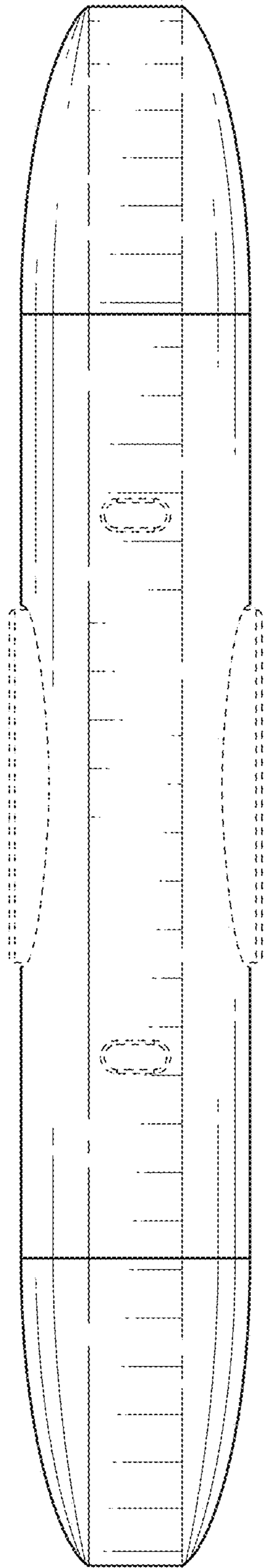


FIG. 5

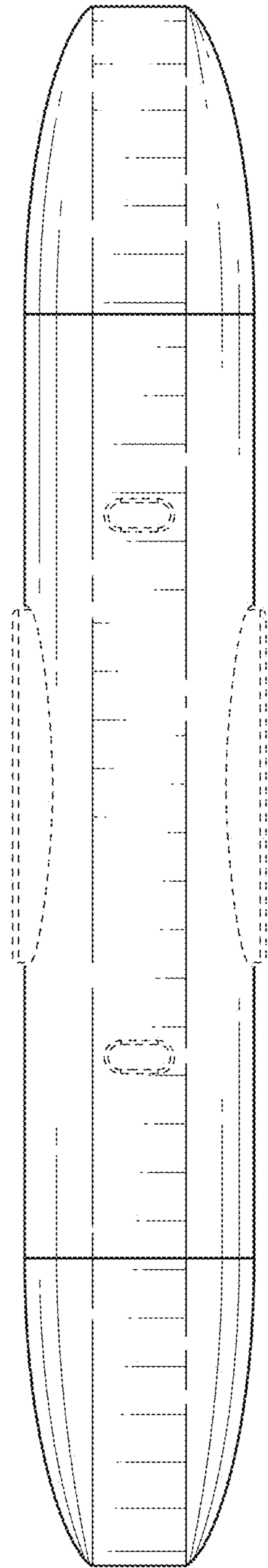


FIG. 6

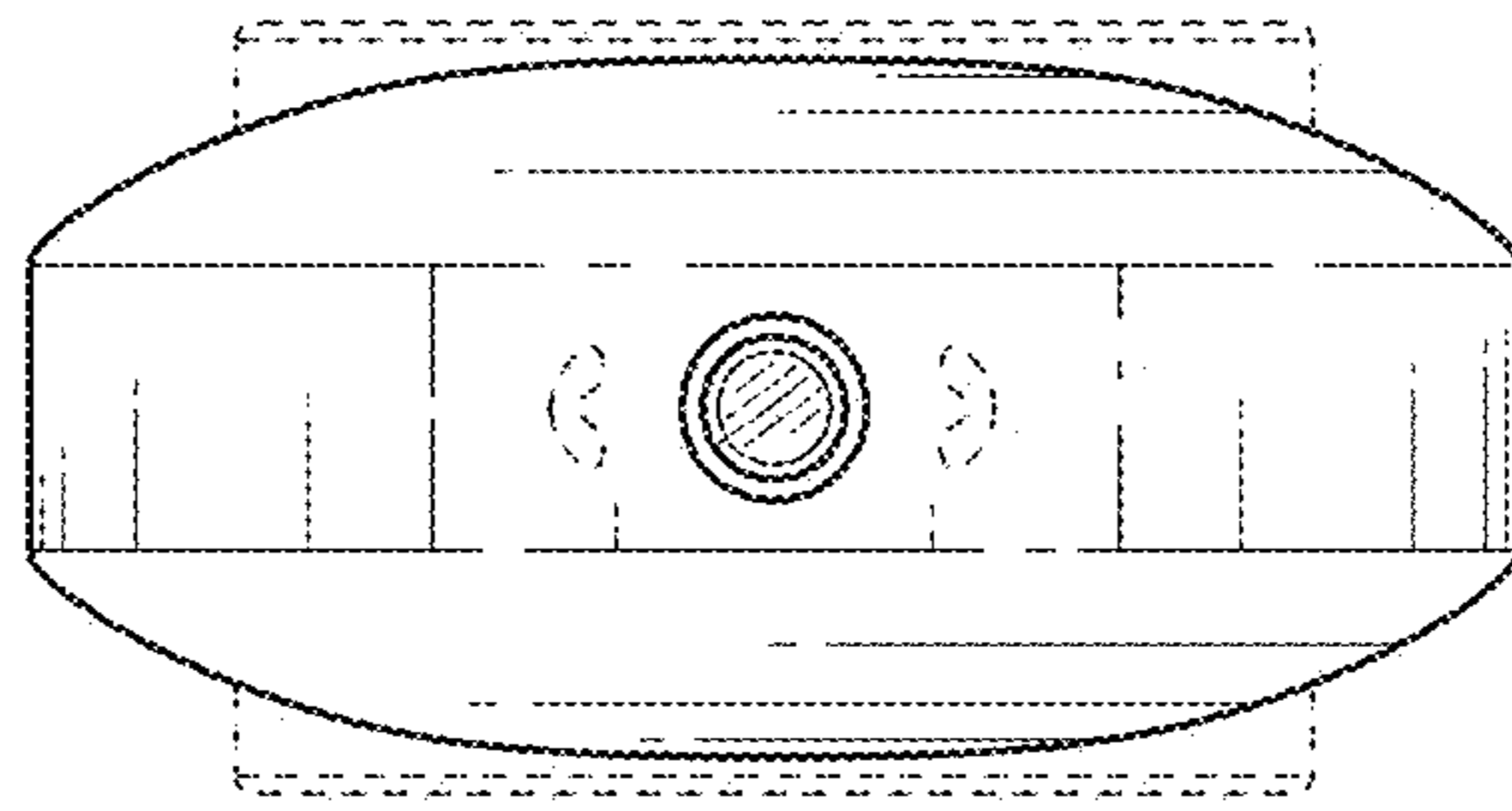


FIG. 7

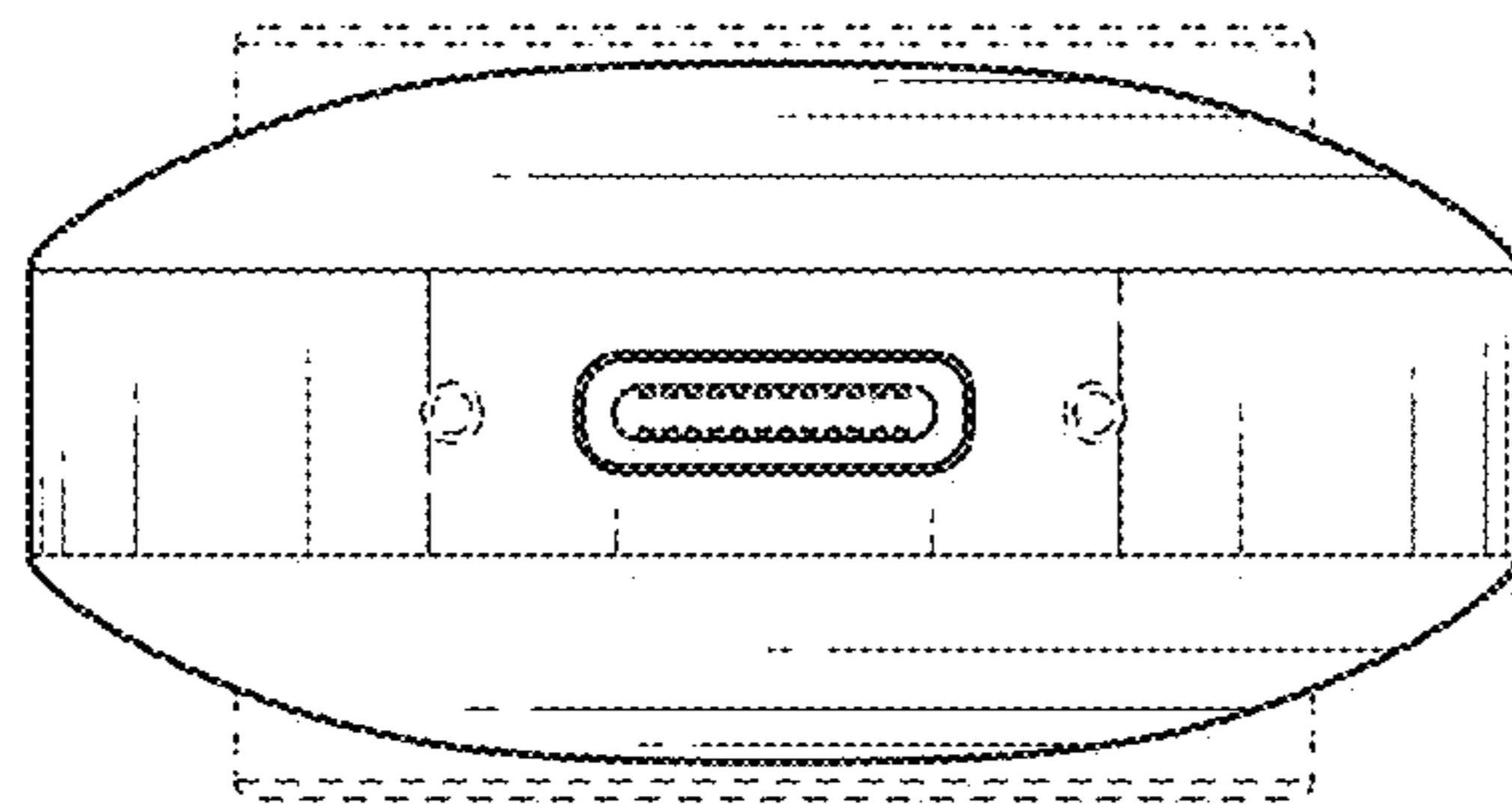


FIG. 8