



US00D963237S

(12) **United States Design Patent**
Wong et al.

(10) **Patent No.:** **US D963,237 S**
(45) **Date of Patent:** **** Sep. 6, 2022**

(54) **Z-LINEAR LUMINAIRE MOUNTING RAIL**

(71) Applicant: **Vode Lighting, LLC**, Sonoma, CA (US)

(72) Inventors: **Richard Wong**, Sonoma, CA (US);
Scott Yu, Sonoma, CA (US)

(73) Assignee: **VODE LIGHTING, LLC**, Sonoma (CA)

(**) Term: **15 Years**

(21) Appl. No.: **29/768,823**

(22) Filed: **Feb. 1, 2021**

(51) **LOC (13) Cl.** **26-05**

(52) **U.S. Cl.**
USPC **D26/138; D8/354**

(58) **Field of Classification Search**
USPC D8/1, 24, 26–28, 37–50, 35, 36, 61, 62, D8/63, 64, 65, 66, 71, 72, 73, 74, 75, 87, D8/89, 90, 113, 118, 119, 123, 121, 138, D8/142; D26/354, 356, 373, 382, 14, D26/367, 331, 380, 51, 107, 376, 394, 8, D26/99, 330, 350, 349, 363, 74, 396, 70, D26/308, 307, 343, 358, 371, 62, 68
CPC F21S 2/00; F21S 4/00; F21S 2/0003; F21S 2/005; F21S 6/00
See application file for complete search history.

(56) **References Cited**

U.S. PATENT DOCUMENTS

D731,110 S * 6/2015 Poppenheimer D26/120
D793,617 S * 8/2017 Trzcielinski D26/118
D826,671 S * 8/2018 Clark D15/133

D853,625 S * 7/2019 Antony D26/138
D869,081 S * 12/2019 Trzcielinski D26/138
D870,541 S * 12/2019 Chen D8/377
10,716,235 B1 * 7/2020 Farnsworth H05K 7/1474
D909,842 S * 2/2021 Kukucka D3/312
D919,877 S * 5/2021 Klus D26/138
D950,993 S * 5/2022 Beach D6/702
D952,445 S * 5/2022 Cope D8/356
2017/0314765 A1 * 11/2017 Yu F21S 8/033

* cited by examiner

Primary Examiner — Keli L Hill

Assistant Examiner — Harold E Blackwell, II

(74) *Attorney, Agent, or Firm* — Michael Petrin; Peter Tormey; A, J & P, PC

(57) **CLAIM**

We claim the ornamental design for a z-linear luminaire mounting rail, as shown and described.

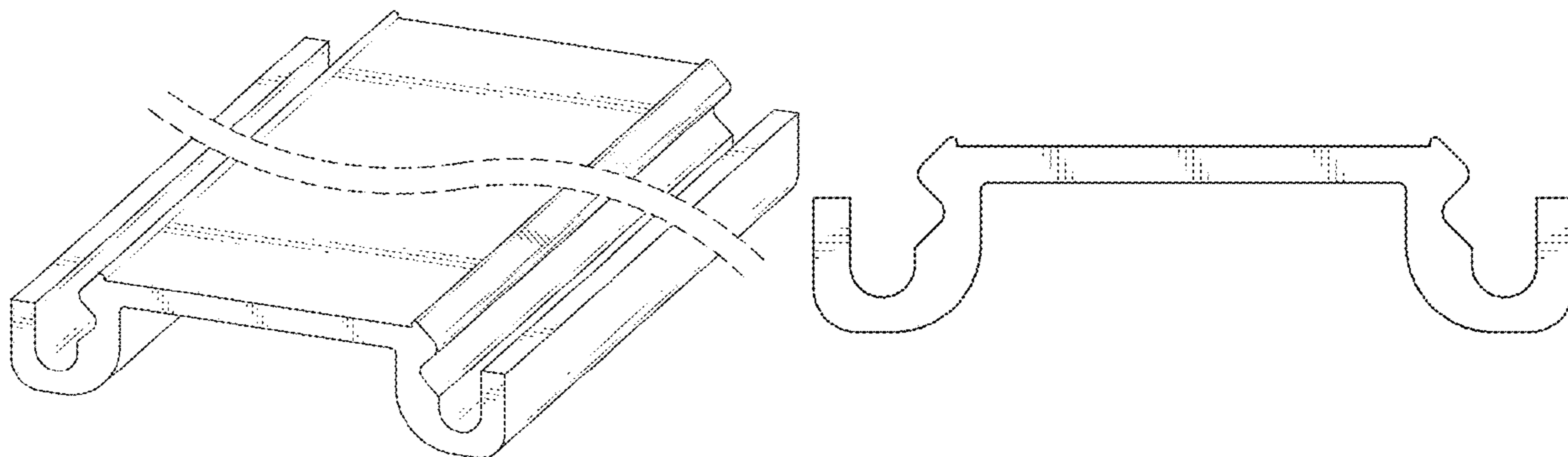
DESCRIPTION

FIG. 1 is a top perspective view of a z-linear luminaire mounting rail, showing the new design;
FIG. 2 is a left side view thereof;
FIG. 3 is a right side view thereof;
FIG. 4 is a top view thereof;
FIG. 5 is a bottom view thereof;
FIG. 6 is a back view thereof; and,
FIG. 7 is a front view thereof.

The broken line disclosure represents portions of the z-linear luminaire mounting rail which form no part of the claimed design.

The z-linear luminaire mounting rail is shown with a symbolic break in its length. The appearance of any portion of the article between the break lines forms no part of the claimed design.

1 Claim, 5 Drawing Sheets



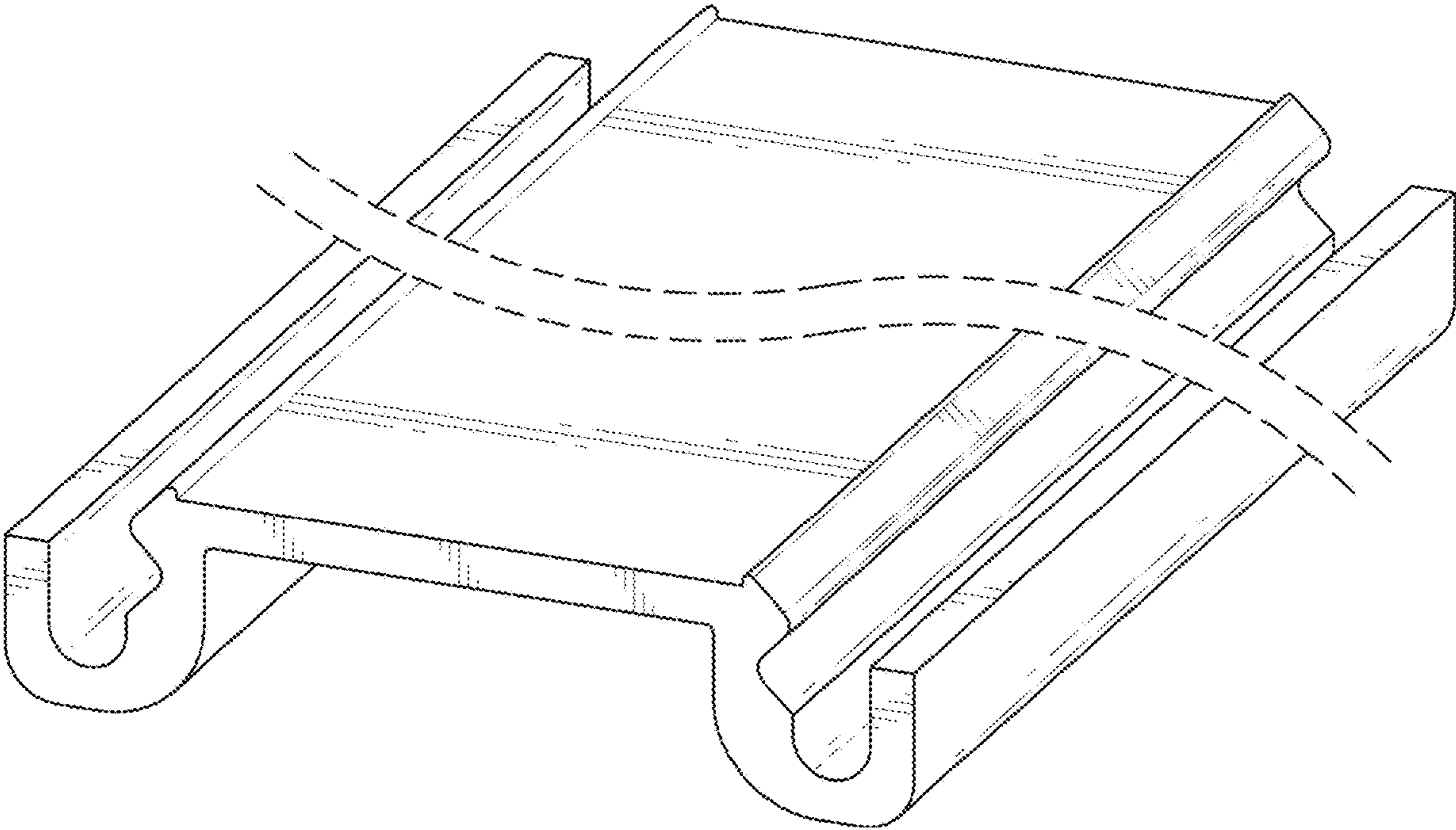


FIG. 1

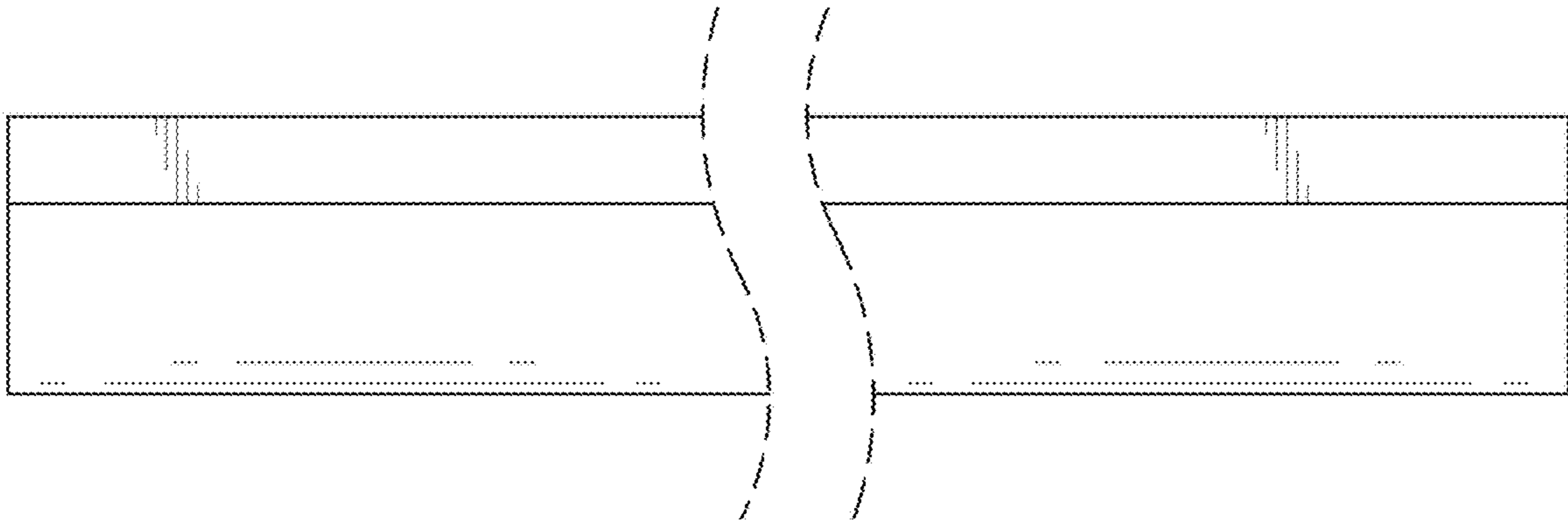


FIG. 2

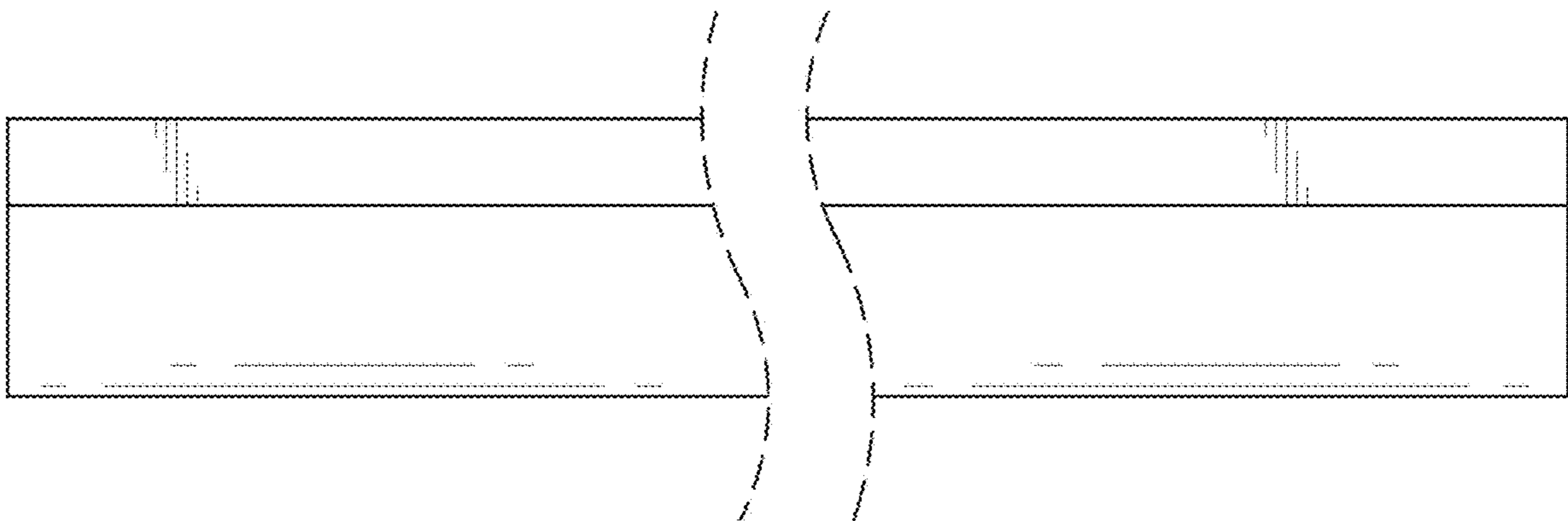


FIG. 3

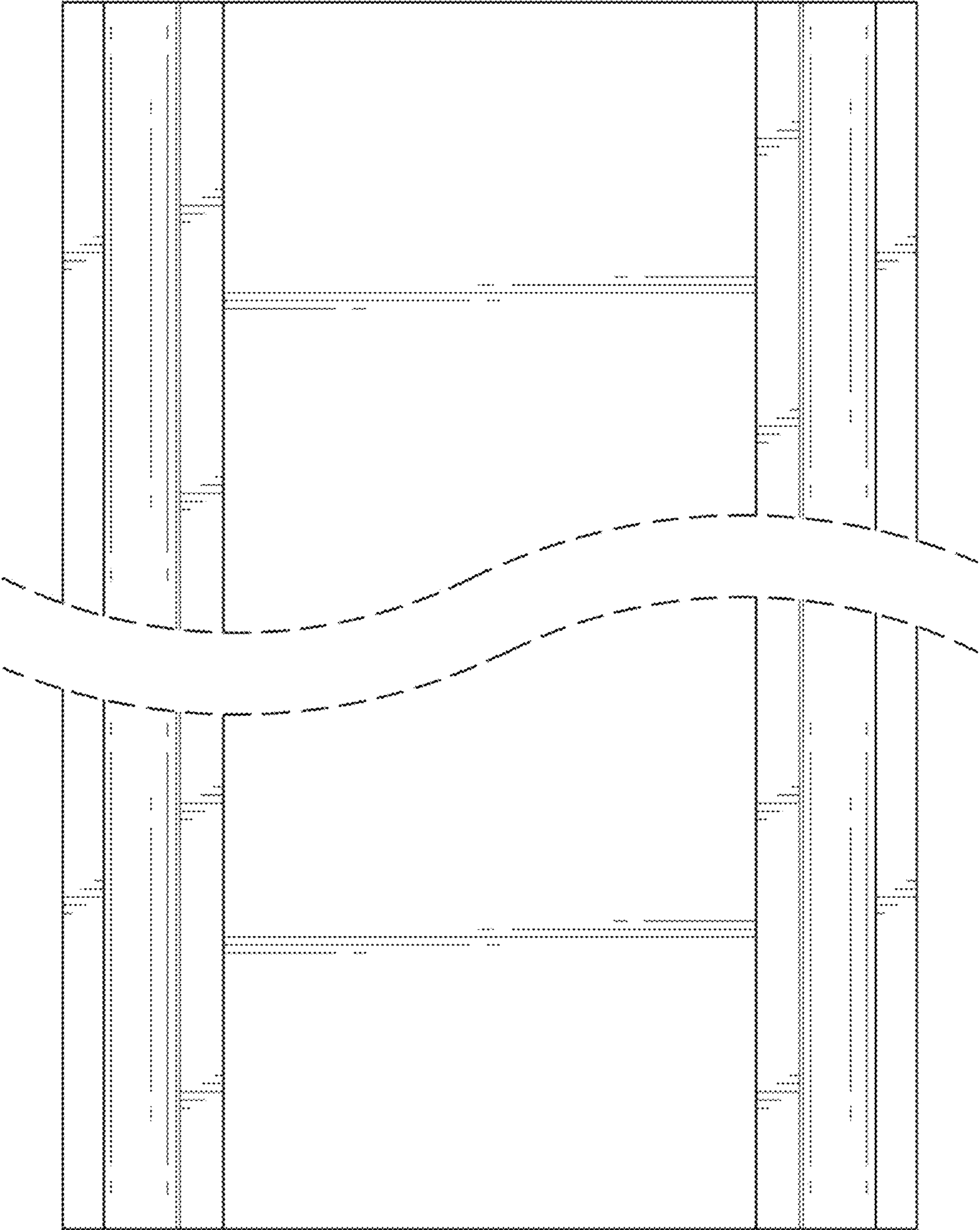


FIG. 4

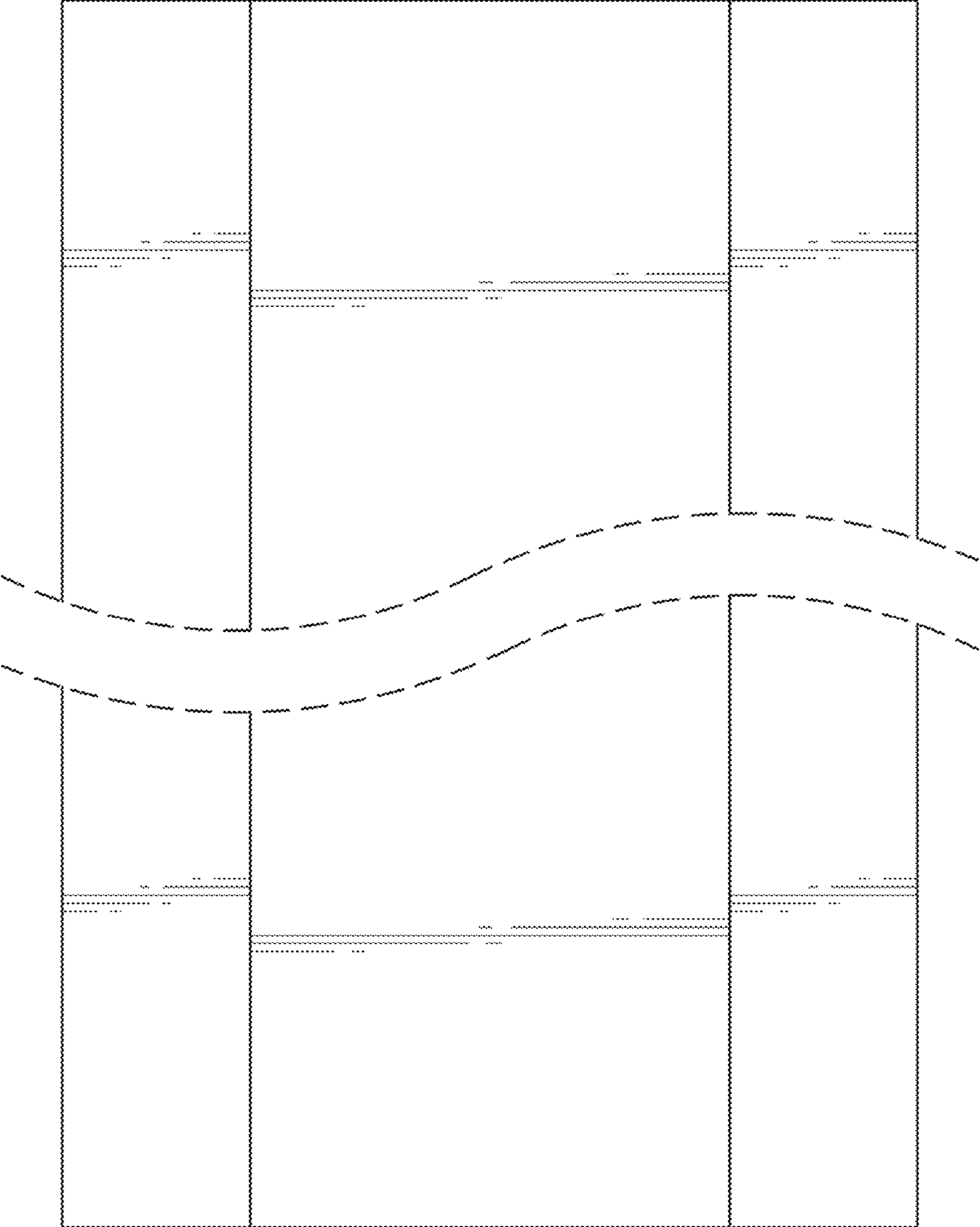


FIG. 5

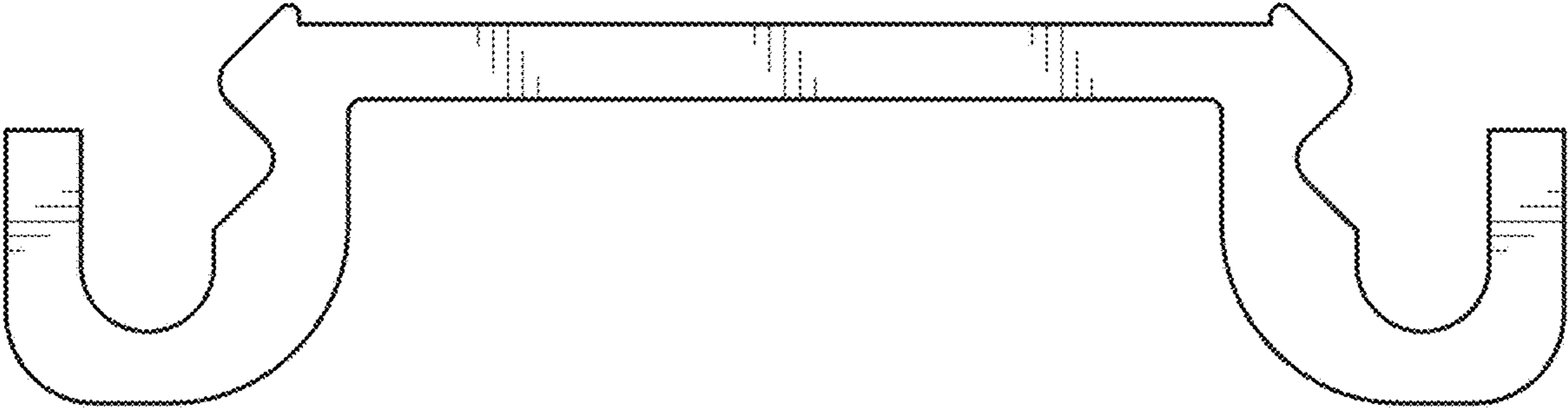


FIG. 6

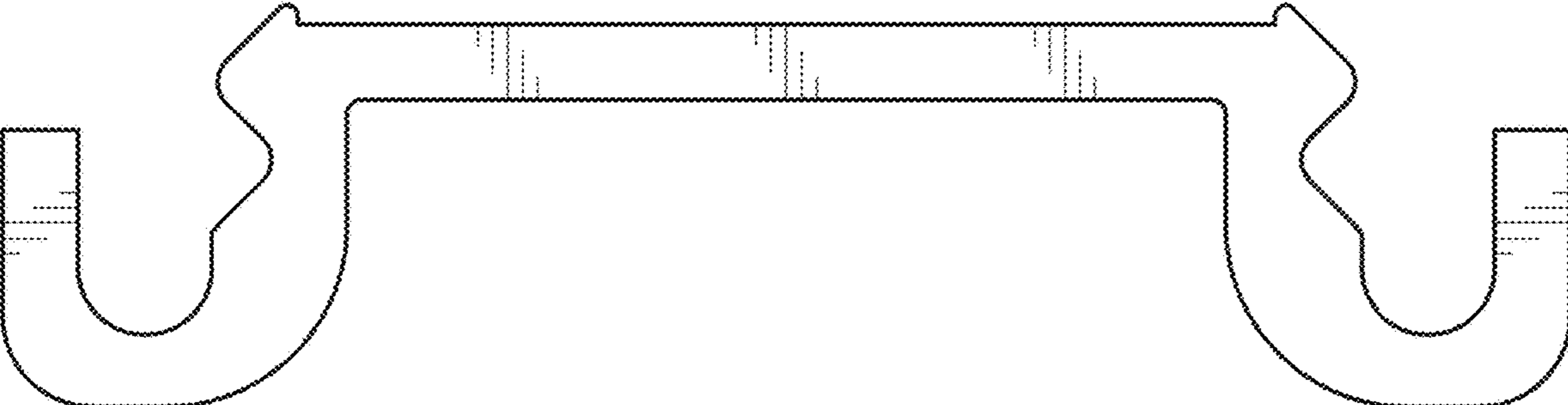


FIG. 7