



US00D963236S

(12) **United States Design Patent** (10) **Patent No.:** **US D963,236 S**
Chen (45) **Date of Patent:** **** Sep. 6, 2022**

- (54) **ADJUSTABLE SCREEN**
- (71) Applicant: **Amax Lighting, Inc.**
- (72) Inventor: **Michael Chen**, Whittier, CA (US)
- (**) Term: **15 Years**
- (21) Appl. No.: **29/694,798**
- (22) Filed: **Jun. 13, 2019**
- (51) **LOC (13) Cl.** **26-05**
- (52) **U.S. Cl.**
USPC **D26/138**; D14/452
- (58) **Field of Classification Search**
USPC D26/72, 74, 76, 78-83, 85, 86, 88, 90,
D26/93, 111, 113, 118-122, 138, 139,
D26/140, 141, 142, 152, 155; D14/375,
D14/394, 224, 452; D8/363
CPC F21S 4/00; F21S 4/003; F21S 4/005; F21S
4/006; F21S 4/007; F21S 4/008; F21S
8/00; F21S 8/024; F21S 8/026; F21S
8/031; F21S 8/033; F21S 8/035-037;
F21S 8/04; F21S 8/043; F21S 8/063
See application file for complete search history.

(56) **References Cited**

U.S. PATENT DOCUMENTS

D269,945 S *	8/1983	Carney	D8/355
D321,410 S *	11/1991	Layne	D13/133
D433,405 S *	11/2000	Vieira	D14/224
D443,940 S *	6/2001	Donato	D26/63
D473,002 S *	4/2003	Hoernig	D26/92
D482,481 S *	11/2003	Landefeld	D26/71
D488,708 S *	4/2004	Lam	D8/363
D534,304 S *	12/2006	Mier-Langner	D26/155
D562,113 S *	2/2008	Ciungan	D14/452
D657,489 S *	4/2012	Johnstone	D26/138
D660,842 S *	5/2012	Kaluza	D14/452
D711,587 S *	8/2014	Comte	D26/155
D711,590 S *	8/2014	Comte	D26/155
D808,574 S *	1/2018	Ziaullah	D26/118

(Continued)

Primary Examiner — Natasha Vujcic
(74) Attorney, Agent, or Firm — Tommy S F Wang;
Wang IP Law Group, P.C.

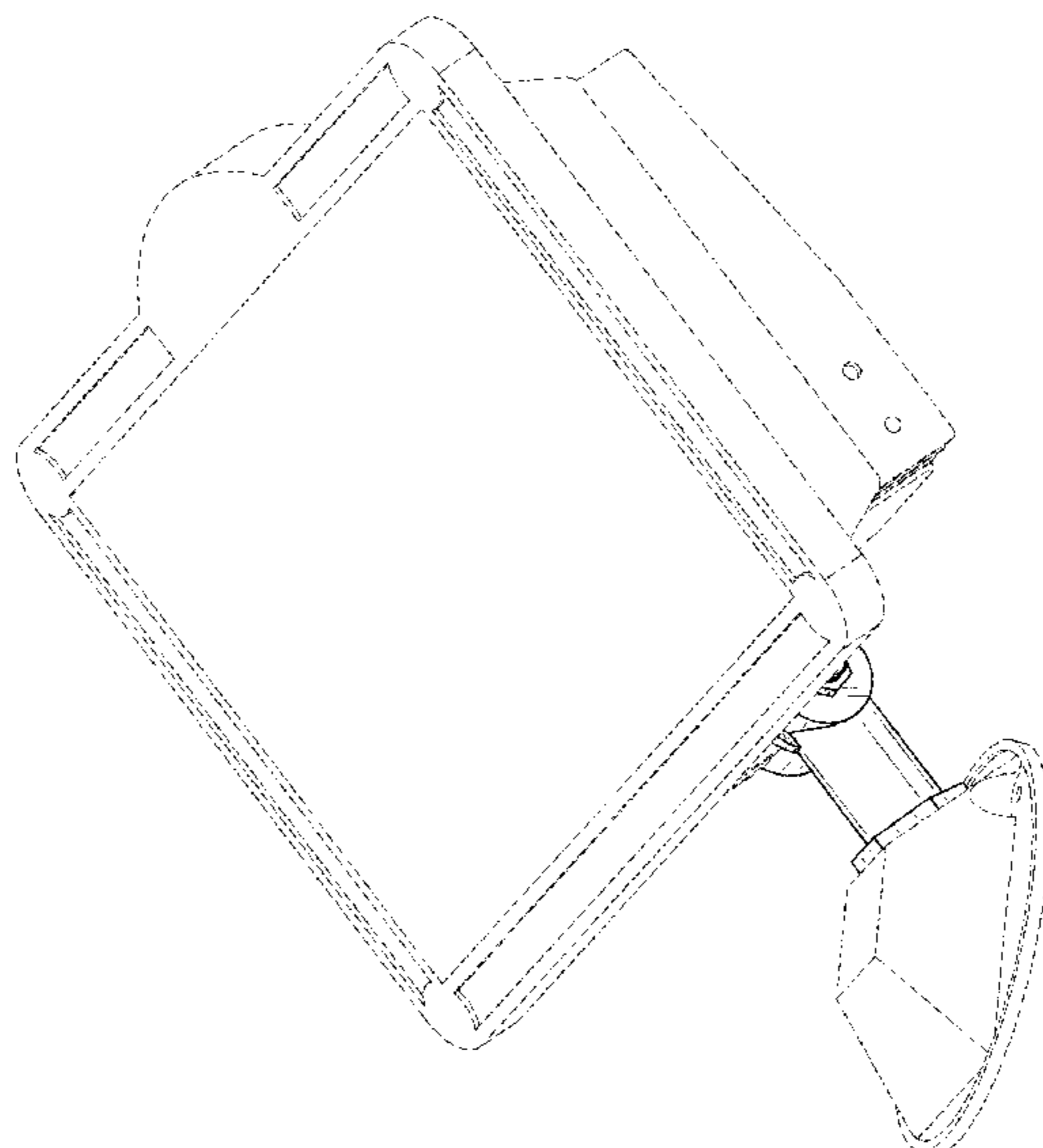
(57) **CLAIM**

The ornamental design for an adjustable screen, as shown and described.

DESCRIPTION

FIG. 1 is a front perspective view of an adjustable screen showing my new design;
 FIG. 2 is a rear perspective view thereof;
 FIG. 3 is another rear perspective view thereof;
 FIG. 4 is a front view thereof;
 FIG. 5 is a rear view thereof;
 FIG. 6 is a left side view thereof;
 FIG. 7 is a right side view thereof;
 FIG. 8 is a top view thereof;
 FIG. 9 is a bottom view thereof;
 FIG. 10 is another left side view showing the adjustable screen is installed to a wall and a screen of the adjustable screen faces to the front;
 FIG. 11 is the other left side view showing the adjustable screen is installed to the wall and the screen of the adjustable screen faces down;
 FIG. 12 is the other left side view showing the adjustable screen is installed to a ceiling and the screen of the adjustable screen faces down; and,
 FIG. 13 is another right side view showing the adjustable screen is installed to the ceiling and the screen of the adjustable screen faces down.
 The broken lines in the FIGS. 1-13 illustrate portions of the adjustable screen which form no part of the claimed design. The broken lines of the wall in the FIGS. 10-11 and the ceiling in FIGS. 12-13 illustrate portions of the environment and form no part of the claimed design. The dot-dash broken lines in FIGS. 3, 6-7, 9-13, represent boundary lines and form no part of the claimed design.

1 Claim, 12 Drawing Sheets



(56)

References Cited

U.S. PATENT DOCUMENTS

D841,209 S * 2/2019 Boyd F21V 23/06
D26/62
D869,082 S * 12/2019 Amato D26/145
D910,895 S * 2/2021 Deurwaarder D26/63

* cited by examiner

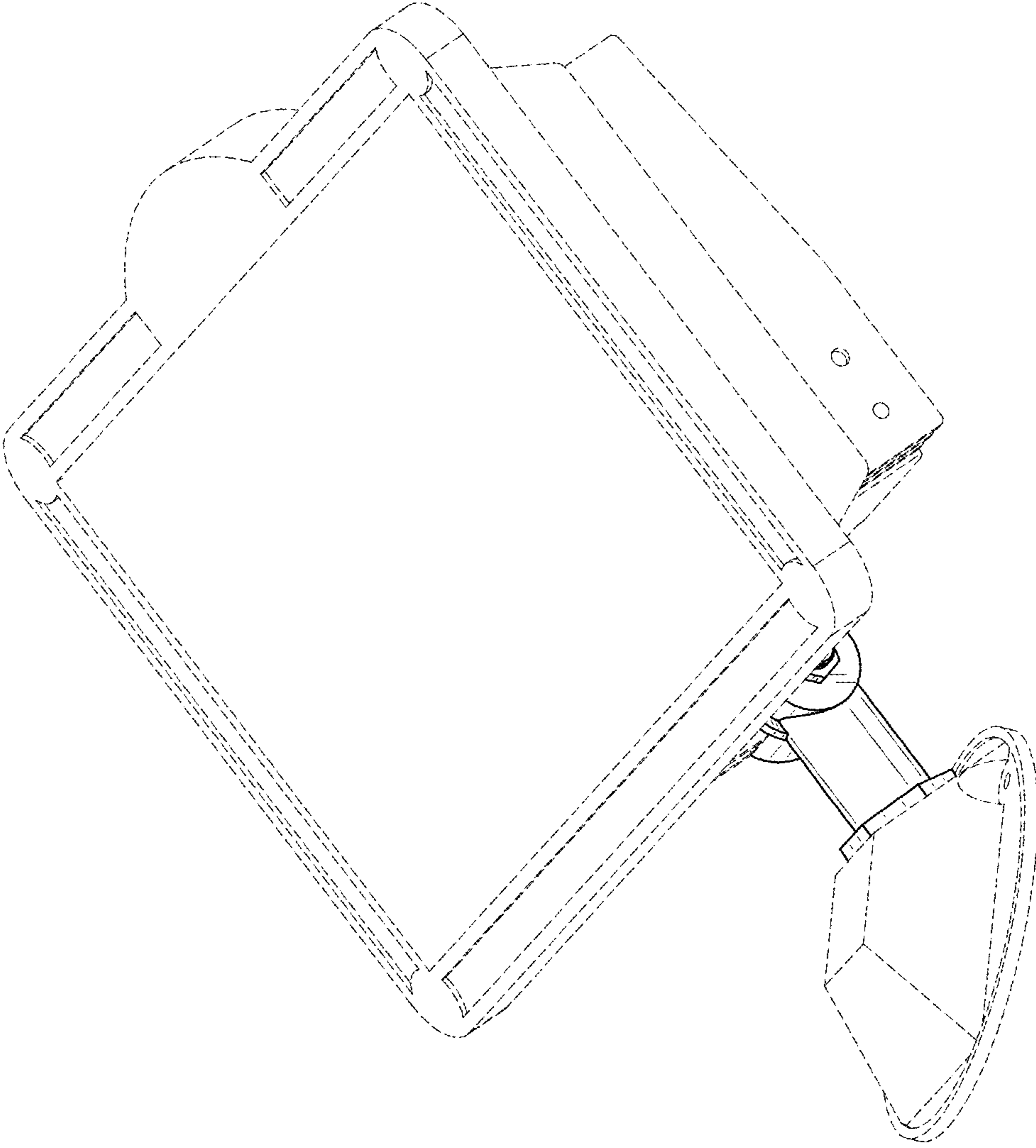


FIG. 1

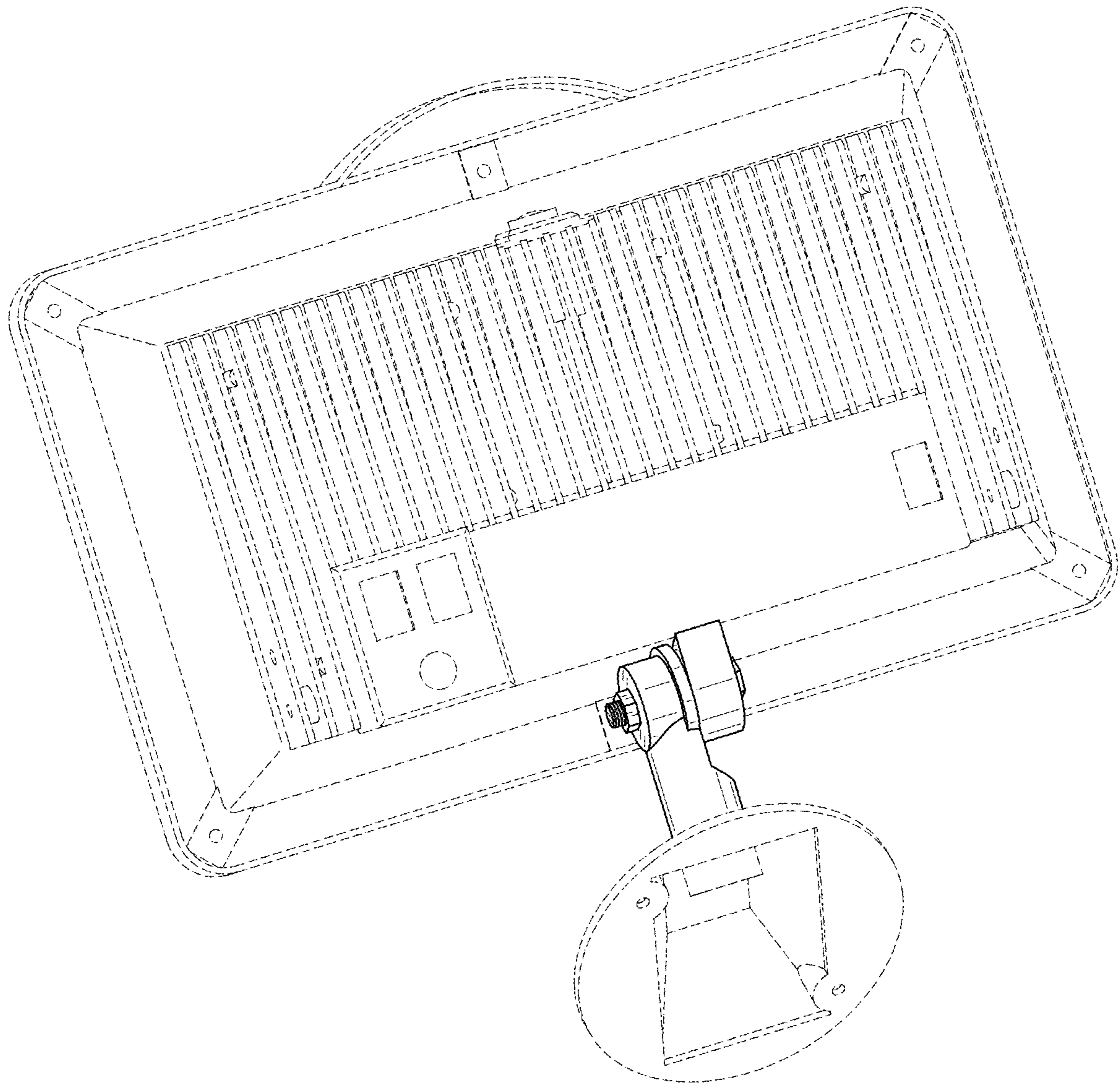


FIG. 2

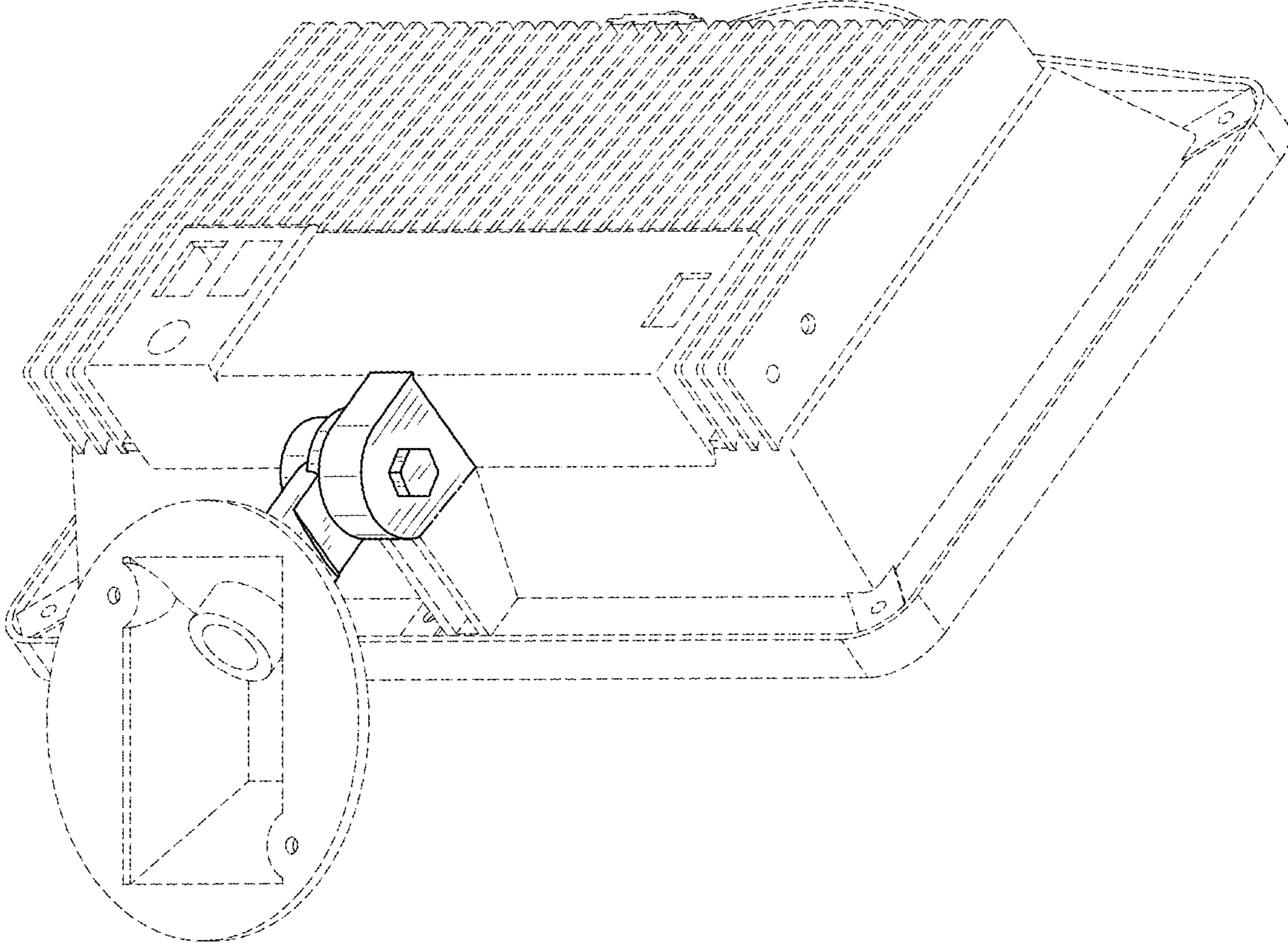


FIG. 3

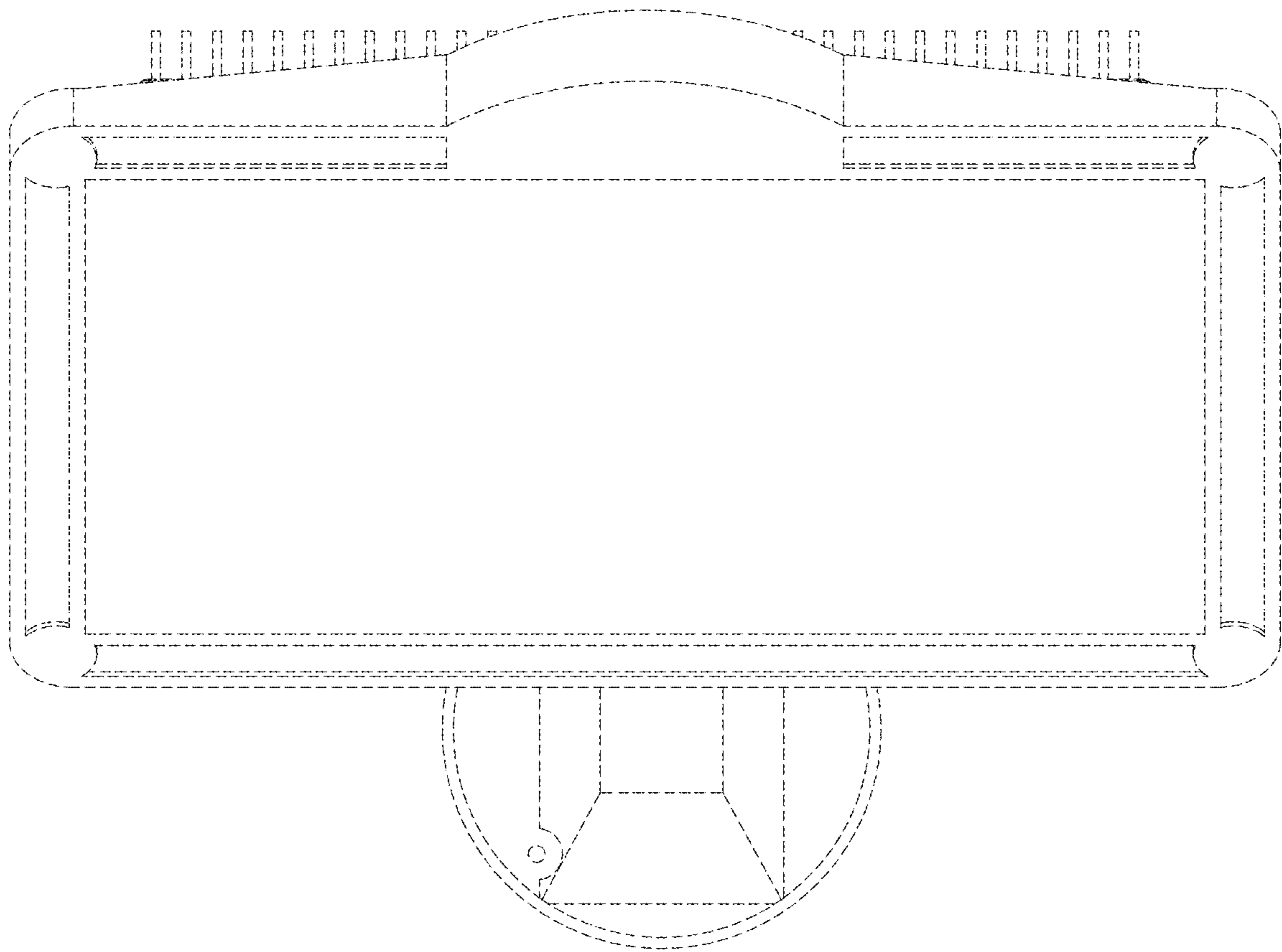


FIG. 4

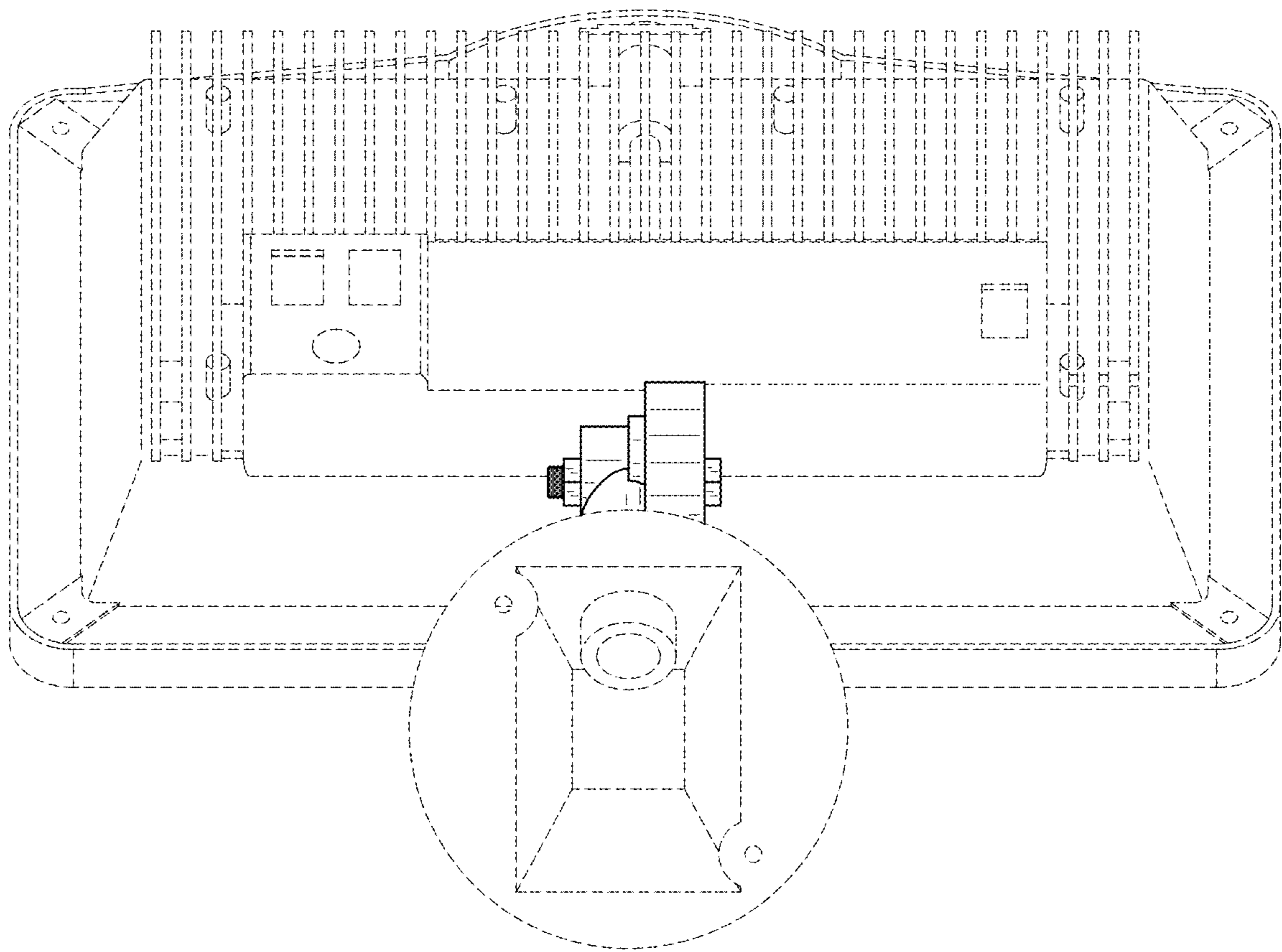


FIG. 5

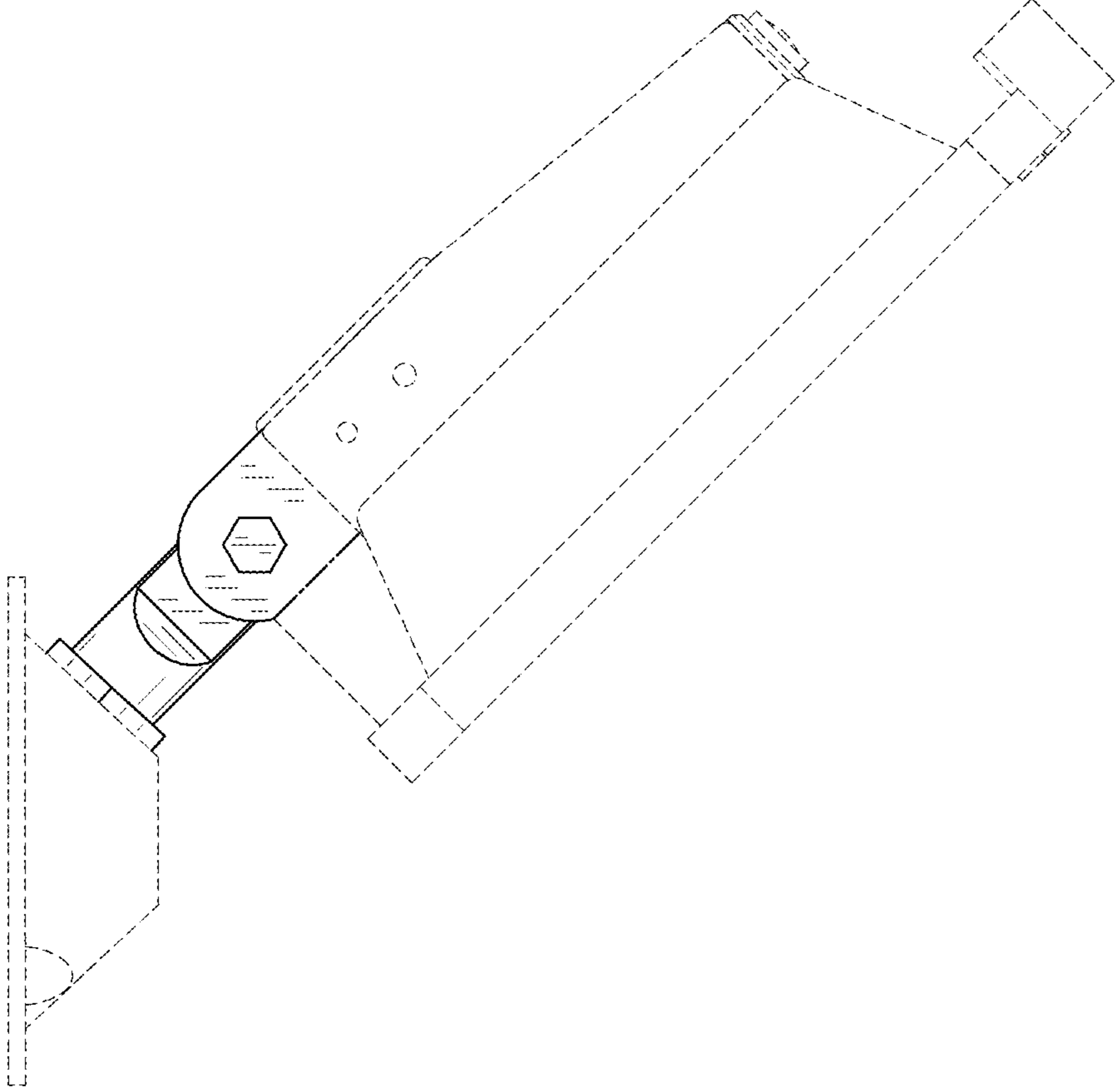


FIG. 6

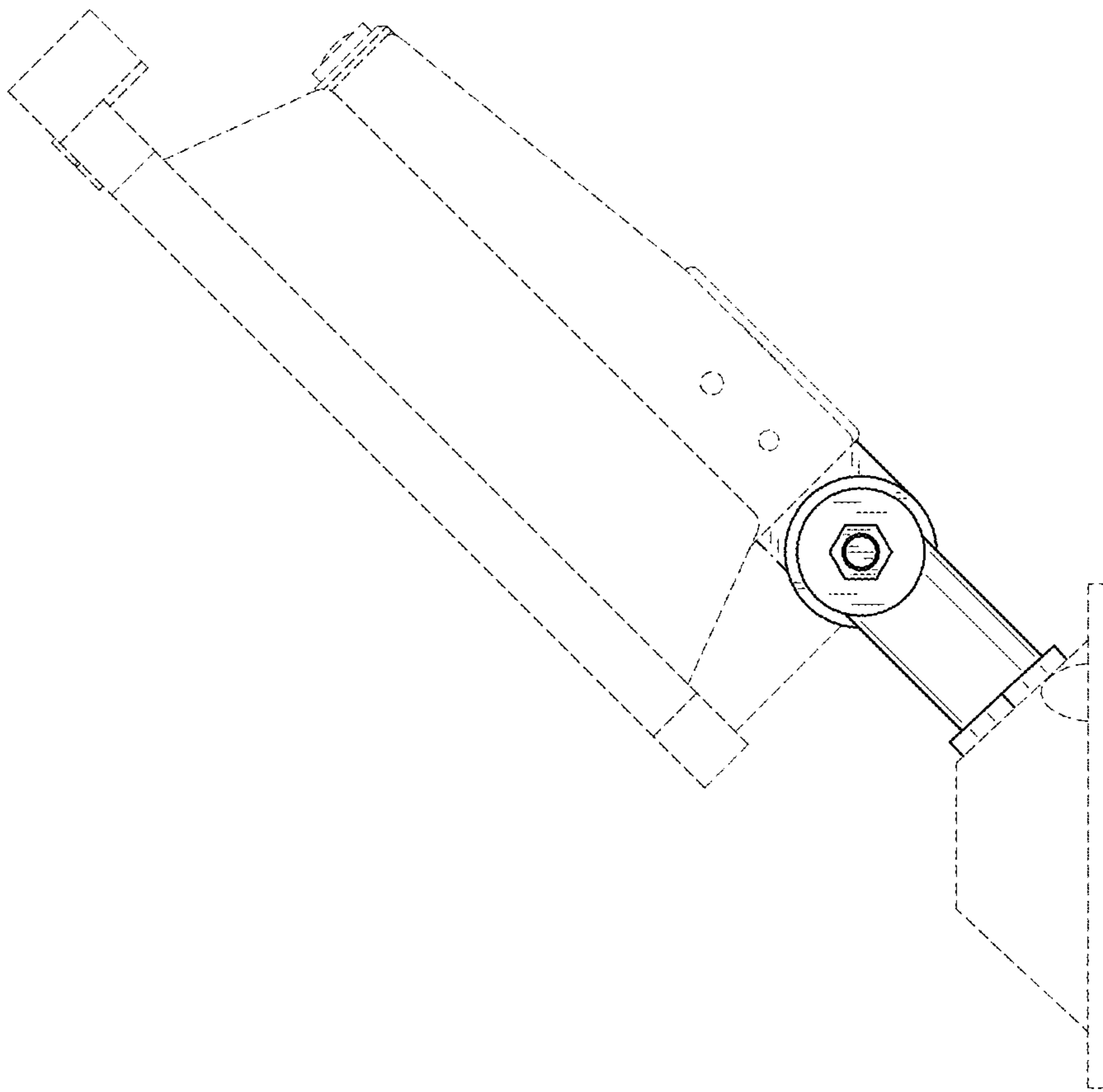


FIG. 7

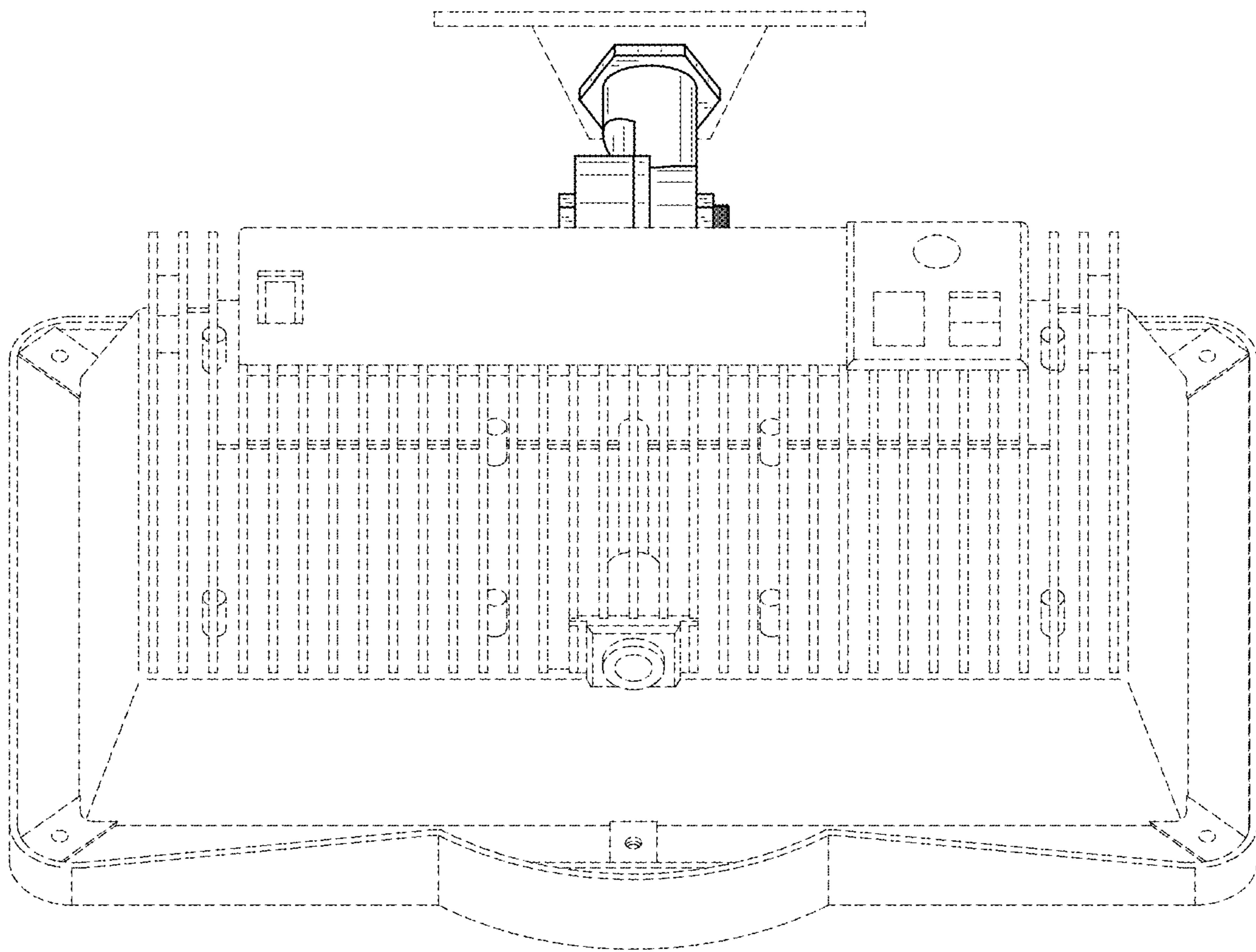


FIG. 8

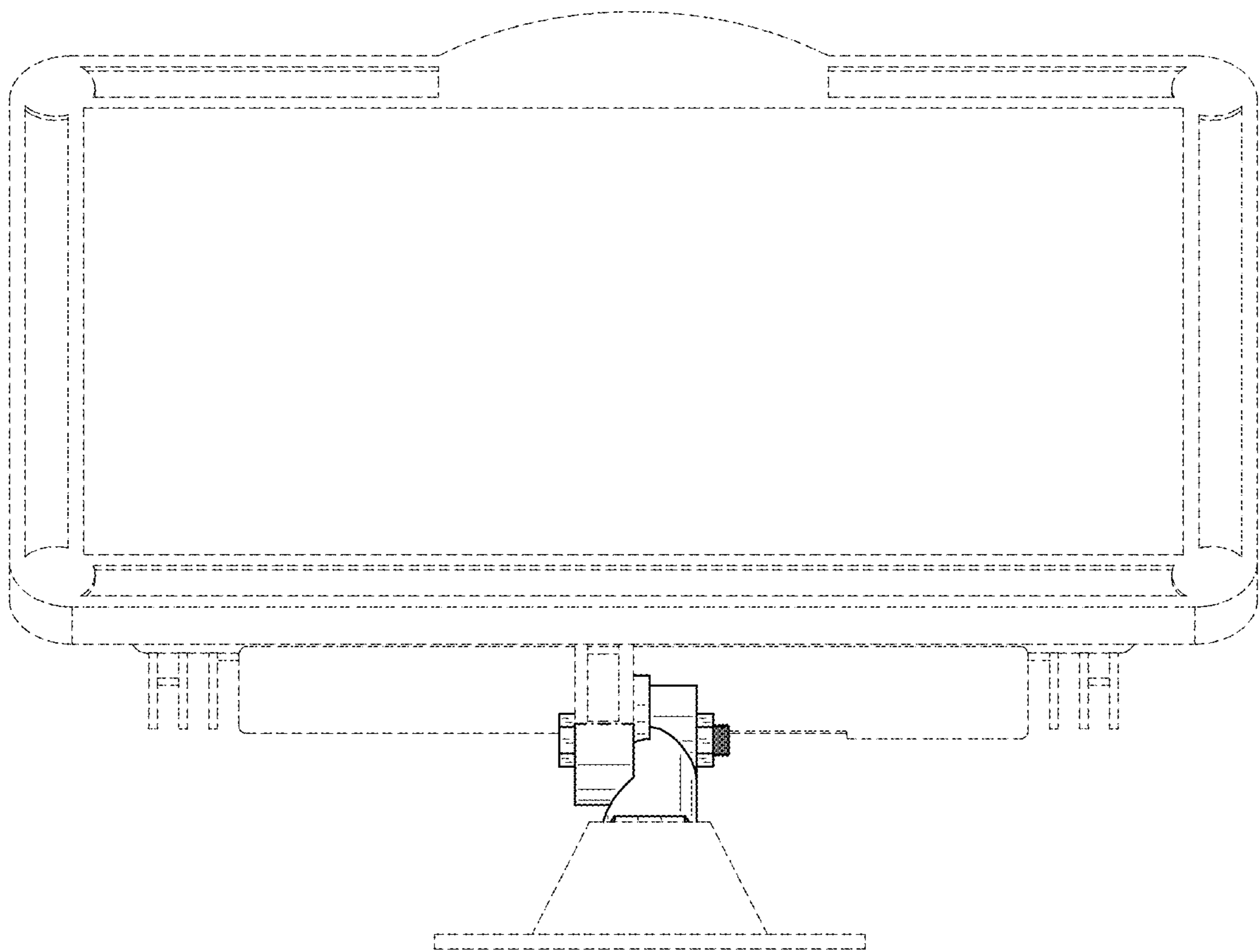


FIG. 9

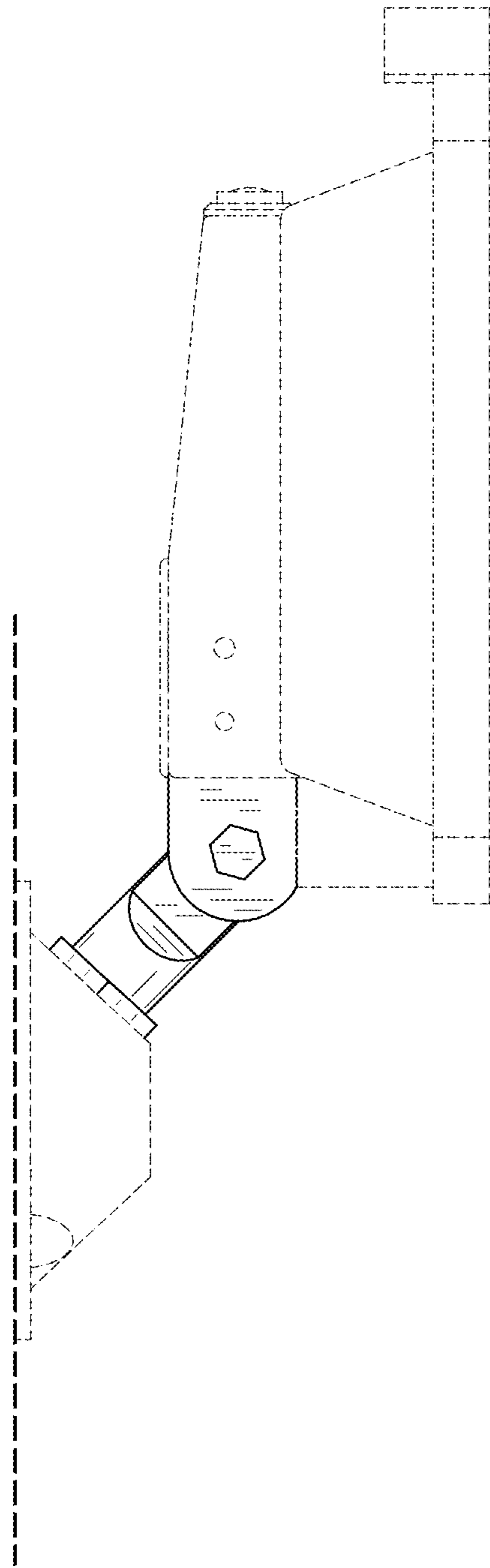


FIG. 10

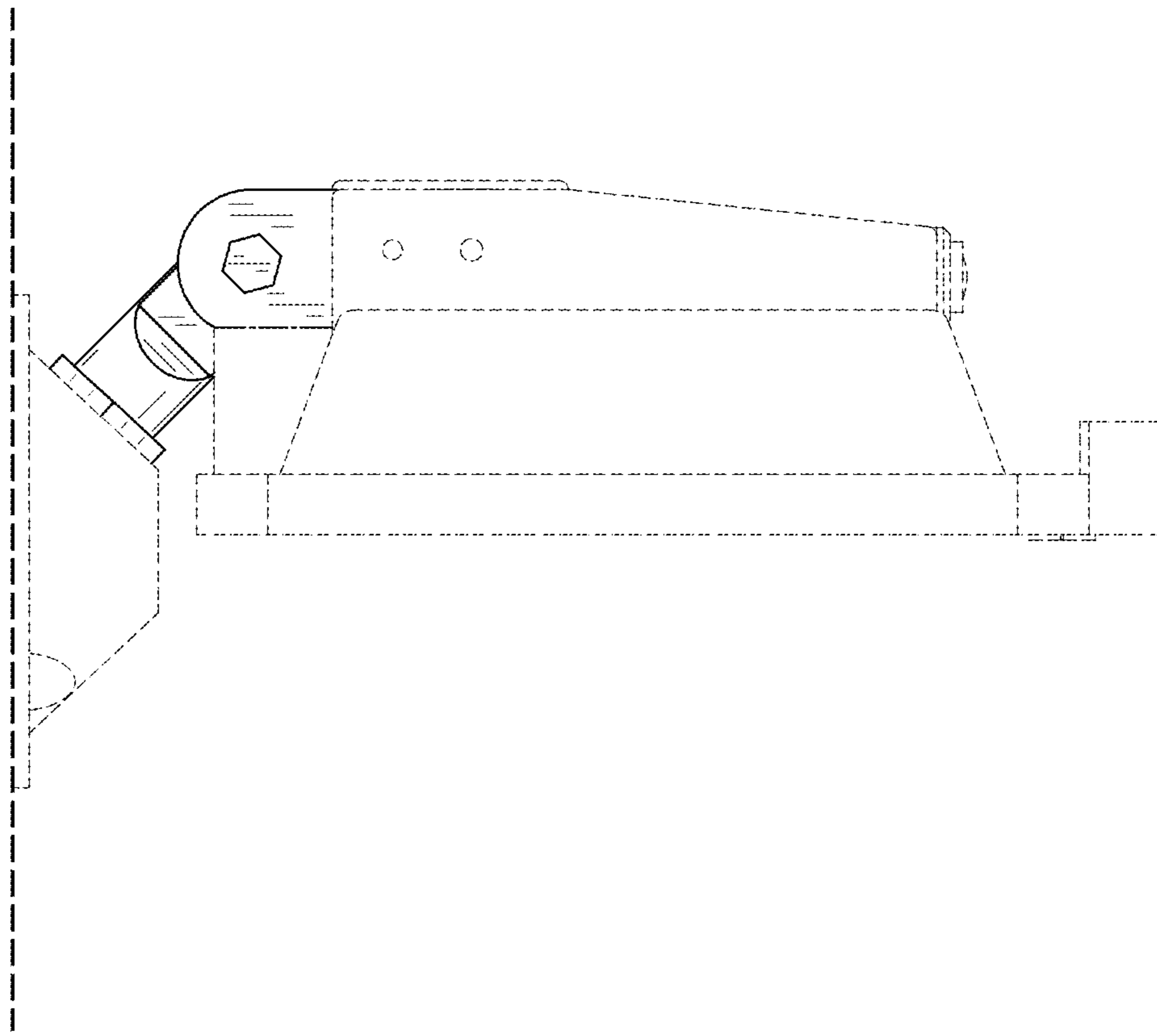


FIG. 11

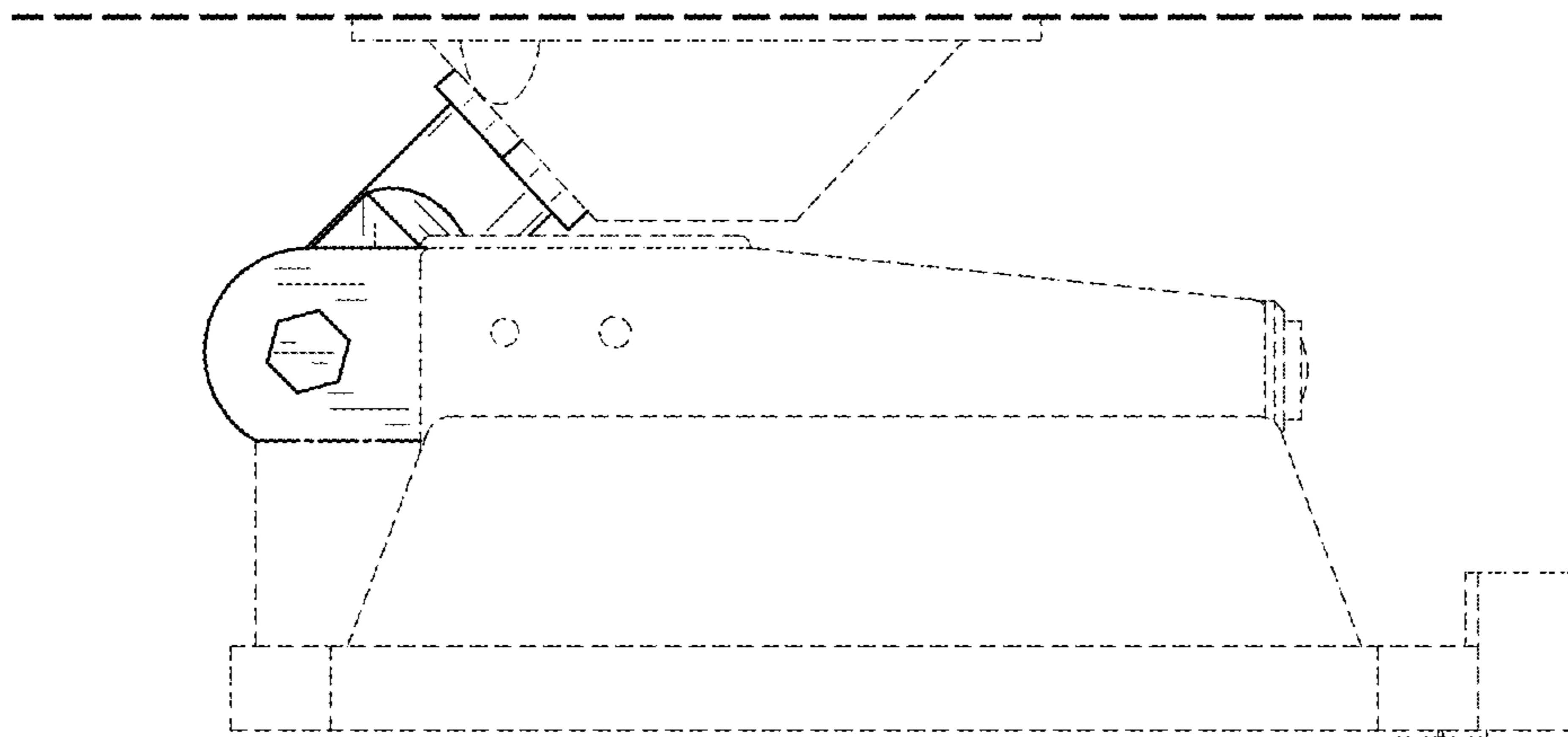


FIG. 12

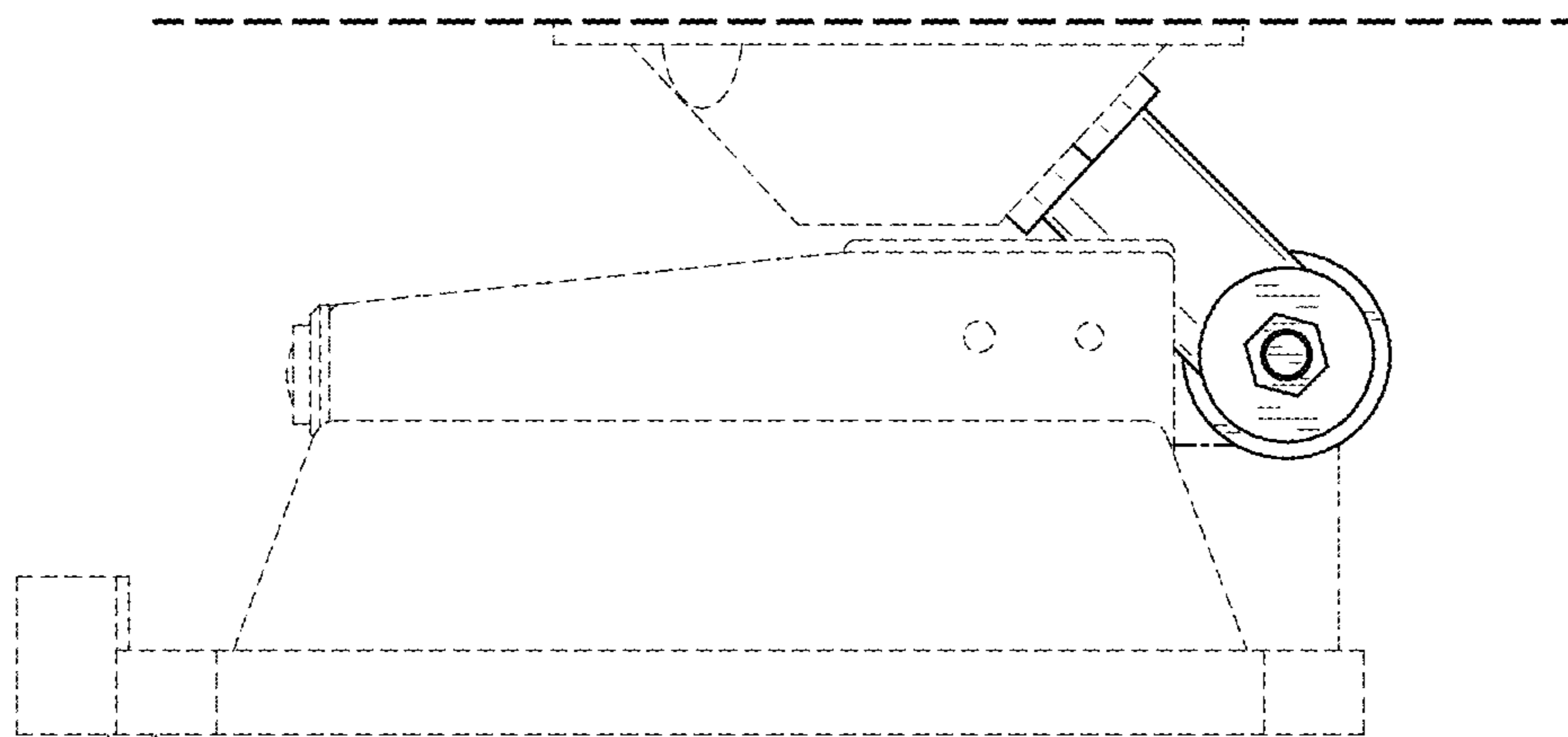


FIG. 13