

US00D963235S

(12) **United States Design Patent** (10) **Patent No.:** **US D963,235 S**  
**Ji** (45) **Date of Patent:** **\*\* Sep. 6, 2022**

(54) **PROJECTION LAMP**

(71) Applicant: **SHENZHEN XURIHENGGUANG TECHNOLOGY CO., LTD**, Shenzhen (CN)

(72) Inventor: **Min Ji**, Huizhou (CN)

(73) Assignee: **SHENZHEN XURIHENGGUANG TECHNOLOGY CO., LTD**, Shenzhen (CN)

(\*\*) Term: **15 Years**

(21) Appl. No.: **29/782,720**

(22) Filed: **May 8, 2021**

(51) **LOC (13) Cl.** ..... **26-05**

(52) **U.S. Cl.**  
USPC ..... **D26/126; D11/124; D11/128**

(58) **Field of Classification Search**  
USPC ..... D11/101, 121, 124, 125, 128, 130;  
D26/25, 26, 32, 40, 47, 57, 67, 70, 73,  
D26/94, 96-99, 118, 125-126  
CPC ..... F21S 4/00; F21S 4/10; F21S 4/20; F21V  
3/02  
See application file for complete search history.

(56) **References Cited**

**U.S. PATENT DOCUMENTS**

D304,347 S *	10/1989	Murtagh	.....	D11/128
D344,467 S *	2/1994	Hung	.....	D10/118
D393,231 S *	4/1998	Bueza	.....	D11/128
6,095,664 A *	8/2000	Wang	.....	F21S 4/10 362/255
6,180,193 B1 *	1/2001	Bostedt	.....	A63H 3/006 428/3
D442,651 S *	5/2001	Johnson	.....	D11/128
D498,171 S *	11/2004	Webster	.....	D11/118
D529,654 S *	10/2006	Norris	.....	D26/73
D717,199 S *	11/2014	Verstraete	.....	D11/121
D891,682 S	7/2020	Wei		
D914,957 S	3/2021	Zeng		

**OTHER PUBLICATIONS**

Christmas Tree Topper Lighted Projector, first available Jul. 5, 2021, retrieved Jul. 15, 2022 from URL: [https://www.amazon.com/Christmas-Tree-Topper-Lighted-Projector/dp/B098N27TQN/ref=sr\\_1\\_207?crd=3IU0VDZWQYX05&keywords=star+tree+topper&qid=1657892073&sprefix=star+tree+topper%2Caps%2C92&sr=8-207](https://www.amazon.com/Christmas-Tree-Topper-Lighted-Projector/dp/B098N27TQN/ref=sr_1_207?crd=3IU0VDZWQYX05&keywords=star+tree+topper&qid=1657892073&sprefix=star+tree+topper%2Caps%2C92&sr=8-207) (Year: 2021).\*

Christmas Tree Topper, White Angel Tree Topper, first available Jul. 5, 2021, retrieved Jul. 15, 2022 from URL: <https://www.amazon.com/Christmas-Snowflake-Projector-Glittering-Decorations/dp/B098N3K2QP> (Year: 2021).\*

Gold Silver White Star Snowflake Projector, date unavailable, retrieved Jul. 15, 2022 from URL: [https://www.alibaba.com/product-detail/Gold-Silver-White-Star-Snowflake-Projector\\_1600334803480.html?spm=a2700.galleryofferlist.normal\\_offer.d\\_title.44f72cd8zOtmQe](https://www.alibaba.com/product-detail/Gold-Silver-White-Star-Snowflake-Projector_1600334803480.html?spm=a2700.galleryofferlist.normal_offer.d_title.44f72cd8zOtmQe) (Year: 2022).\*

\* cited by examiner

*Primary Examiner* — Richard Kearney

*Assistant Examiner* — Christina M. Dodson

(57) **CLAIM**

The ornamental design for a projection lamp, as shown and described.

**DESCRIPTION**

FIG. 1 is a perspective view of a projection lamp showing my new design;

FIG. 2 is another perspective view thereof;

FIG. 3 is a front elevational view thereof;

FIG. 4 is a rear elevational view thereof;

FIG. 5 is a left side elevational view thereof;

FIG. 6 is a right side elevational view thereof;

FIG. 7 is a top plan view thereof; and,

FIG. 8 is a bottom plan view thereof.

The broken lines in the drawings depict portions of the projection lamp that form no part of the claimed design.

**1 Claim, 8 Drawing Sheets**

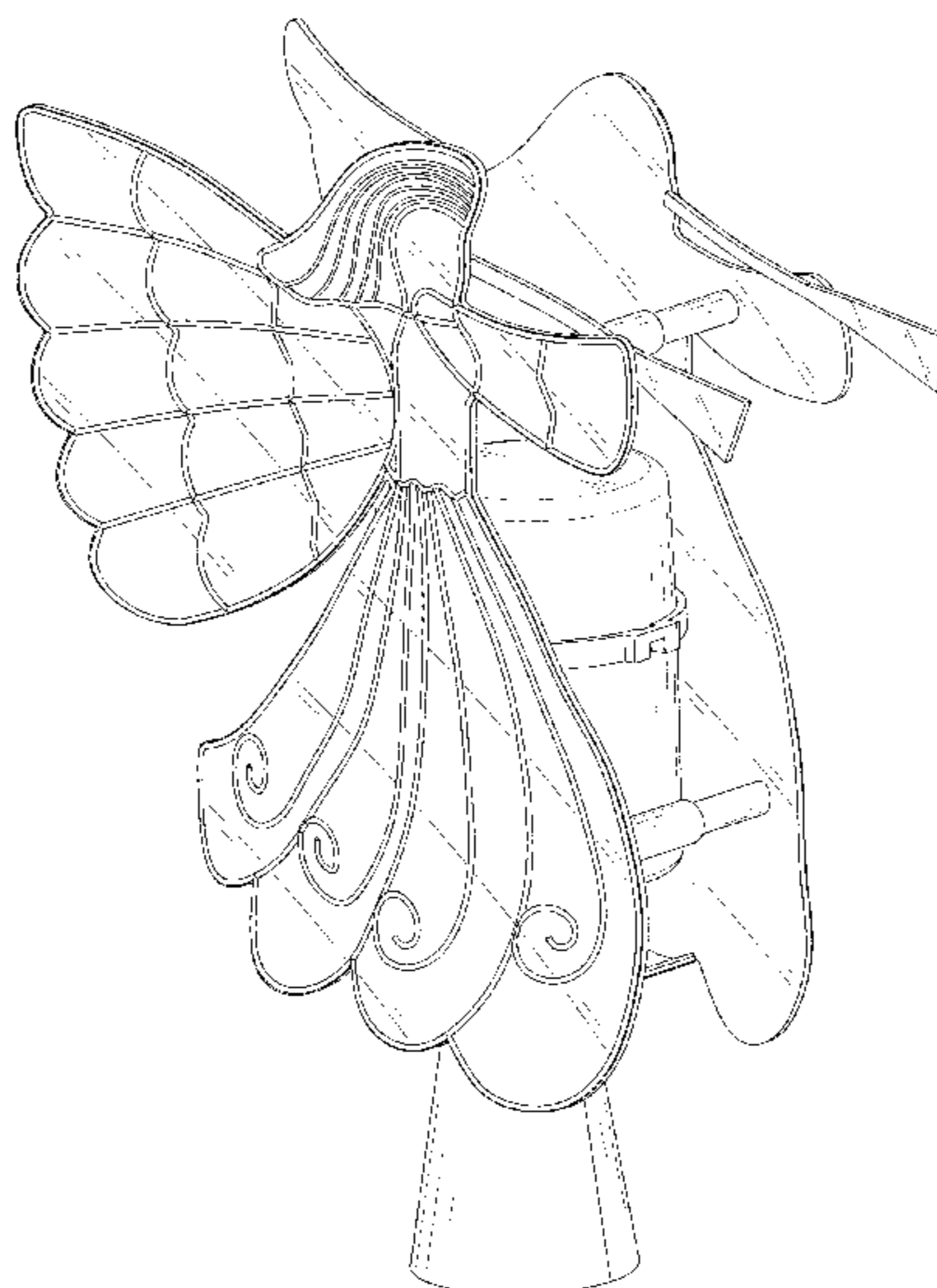




FIG. 1





FIG. 2



FIG. 3

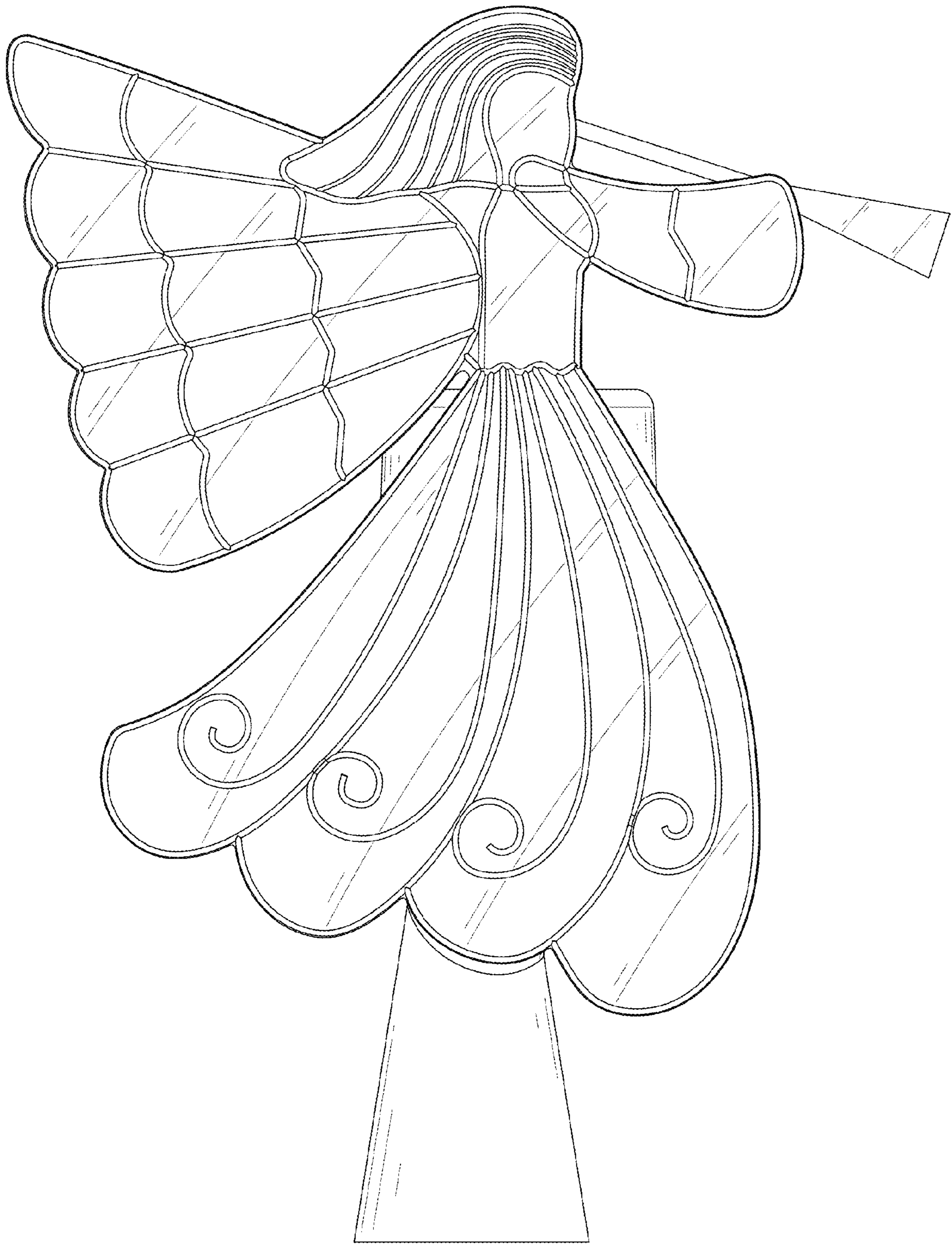


FIG. 4



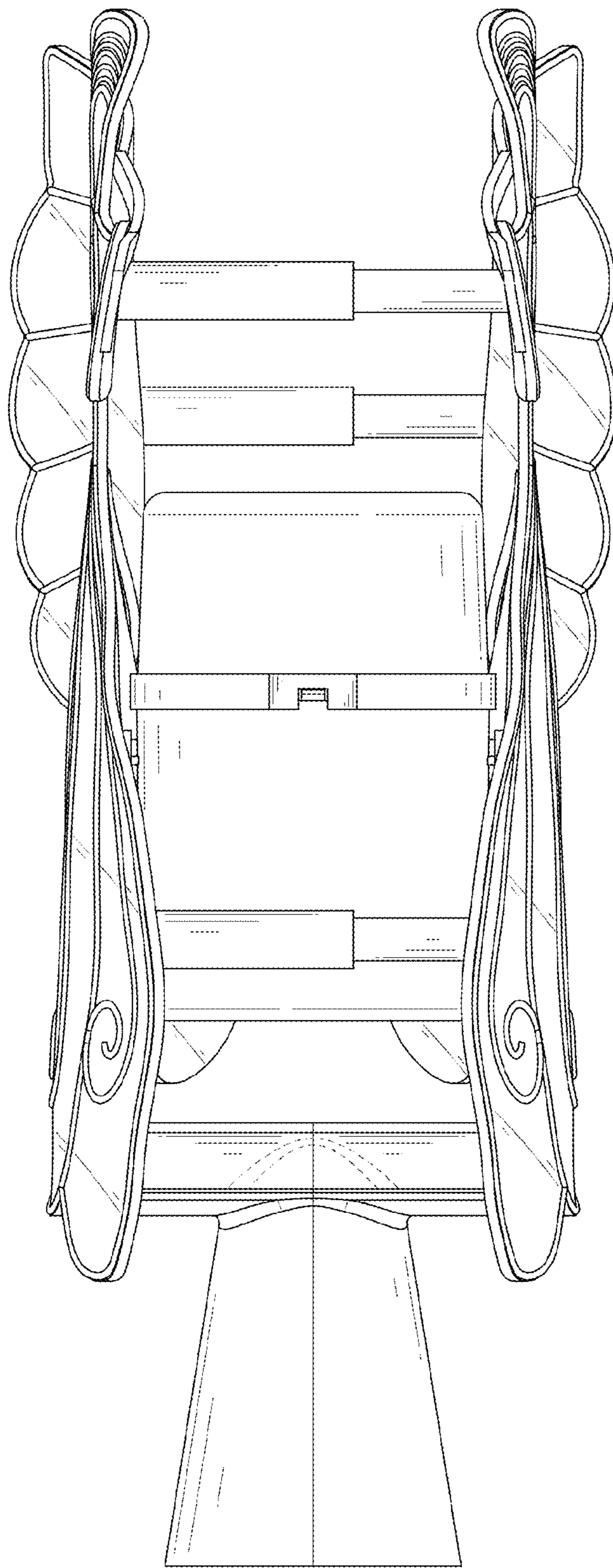


FIG. 5

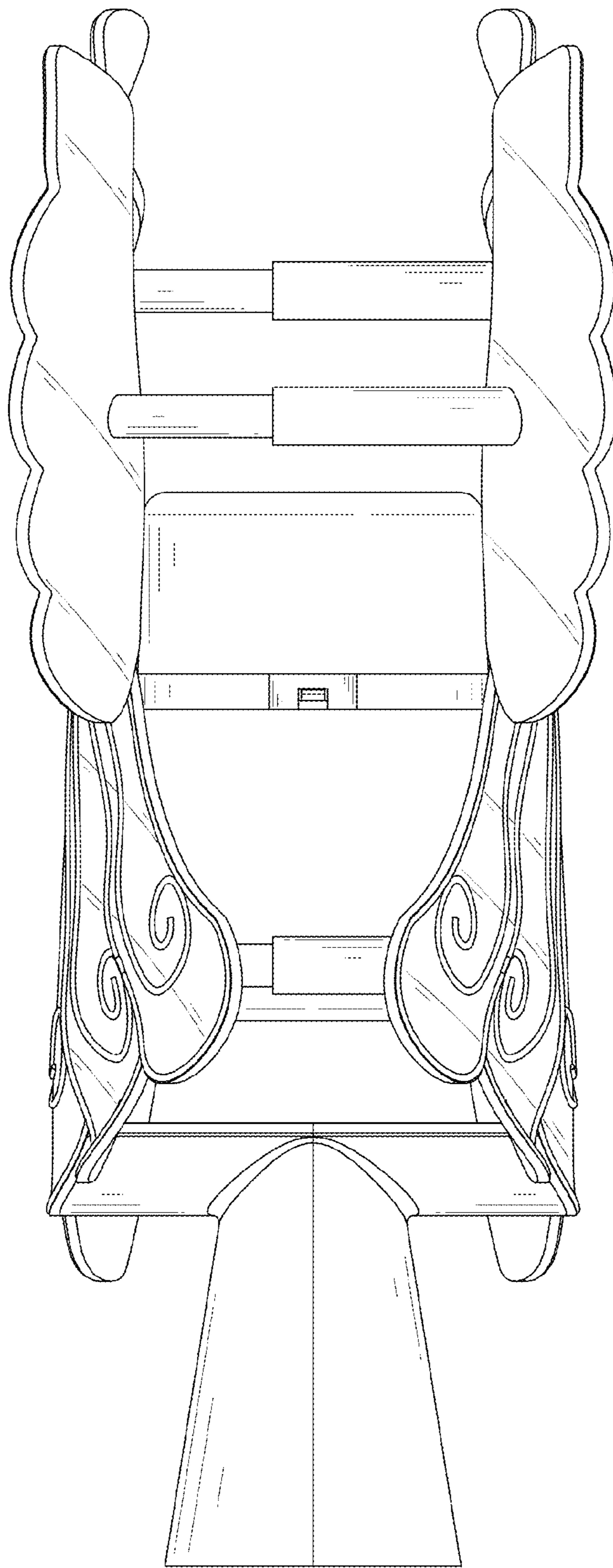


FIG. 6

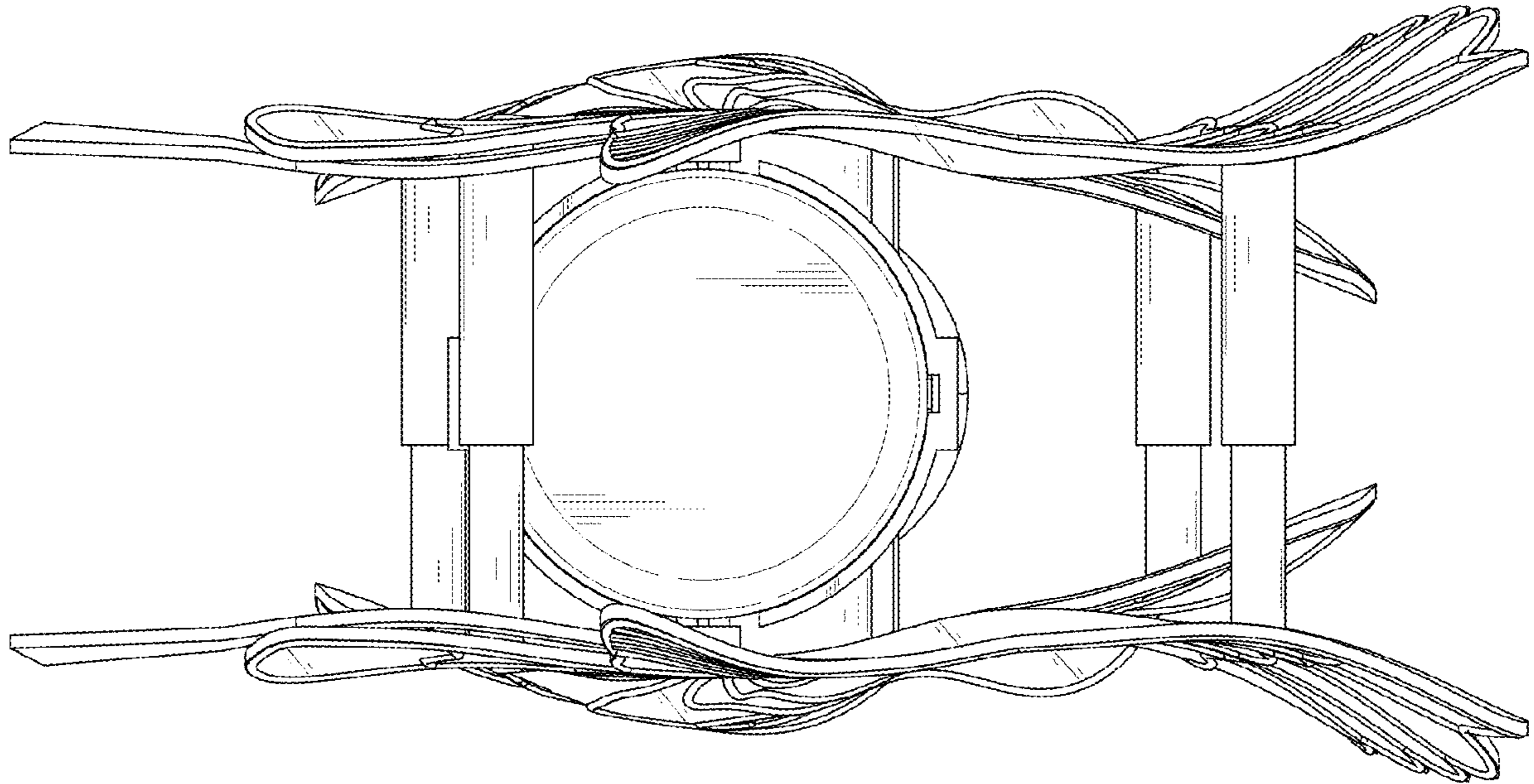


FIG. 7



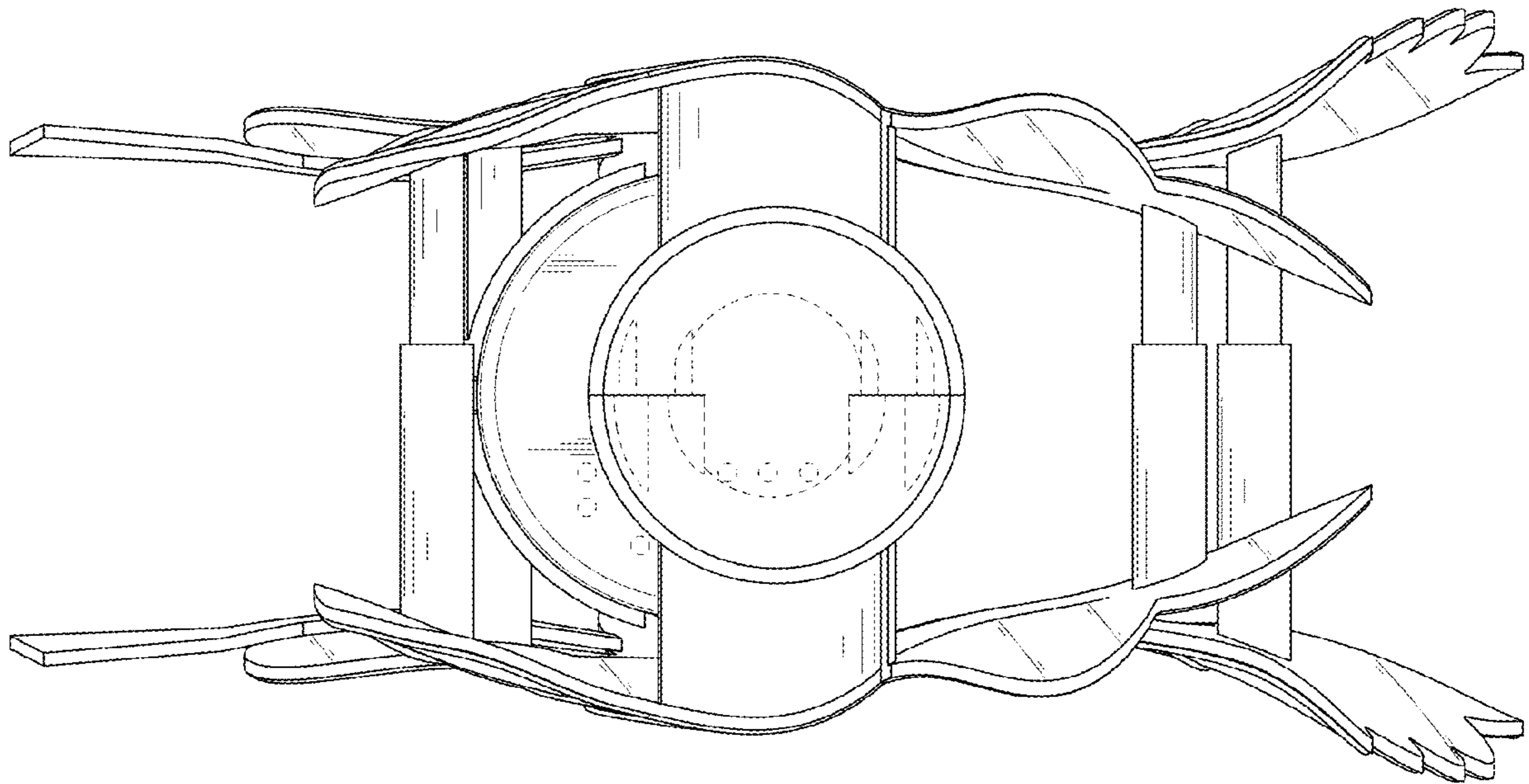


FIG. 8