



US00D963234S

(12) **United States Design Patent** (10) **Patent No.:** **US D963,234 S**  
**Ye** (45) **Date of Patent:** **\*\* Sep. 6, 2022**

(54) **STARRY SKY PROJECTOR LAMP**

D901,747 S \* 11/2020 Lin ..... D26/94  
D905,316 S \* 12/2020 Bie ..... D26/93  
D933,282 S \* 10/2021 Ji ..... D26/93

(71) Applicant: **Tong Ye**, Shenzhen (CN)

FOREIGN PATENT DOCUMENTS

(72) Inventor: **Tong Ye**, Shenzhen (CN)

CN 202130256829.9 \* 8/2021

(\*\*) Term: **15 Years**

OTHER PUBLICATIONS

(21) Appl. No.: **29/782,791**

Amazon, "Addsmile Star Projector", first available Oct. 14, 2020.  
(<https://www.amazon.com/dp/B08L69P62Y/>) (Year: 2020).\*  
Amazon, "Star Projector, FounBite", first available Jul. 12, 2021.  
(<https://www.amazon.com/dp/B0995C8XKH/>) (Year: 2021).\*

(22) Filed: **May 10, 2021**

(Continued)

(30) **Foreign Application Priority Data**

Apr. 28, 2021 (EM) ..... 008520647

*Primary Examiner* — Lauren D McVey  
*Assistant Examiner* — Justin A Johnson

(51) **LOC (13) Cl.** ..... **26-05**

(52) **U.S. Cl.**  
USPC ..... **D26/110**

(58) **Field of Classification Search**  
USPC ..... D26/24, 93, 94, 97, 102, 106, 110  
CPC .... F21W 2121/008; F21S 6/002; F21S 6/004;  
F21S 6/035; F21S 9/00; F21S 9/02; F21S  
8/03; F21S 8/033; F21L 2/00; F21L 4/00;  
F21L 4/02; F21L 4/025; F21L 4/027;  
F21L 14/00

(57) **CLAIM**

The ornamental design for a starry sky projector lamp, as shown and described.

See application file for complete search history.

**DESCRIPTION**

(56) **References Cited**

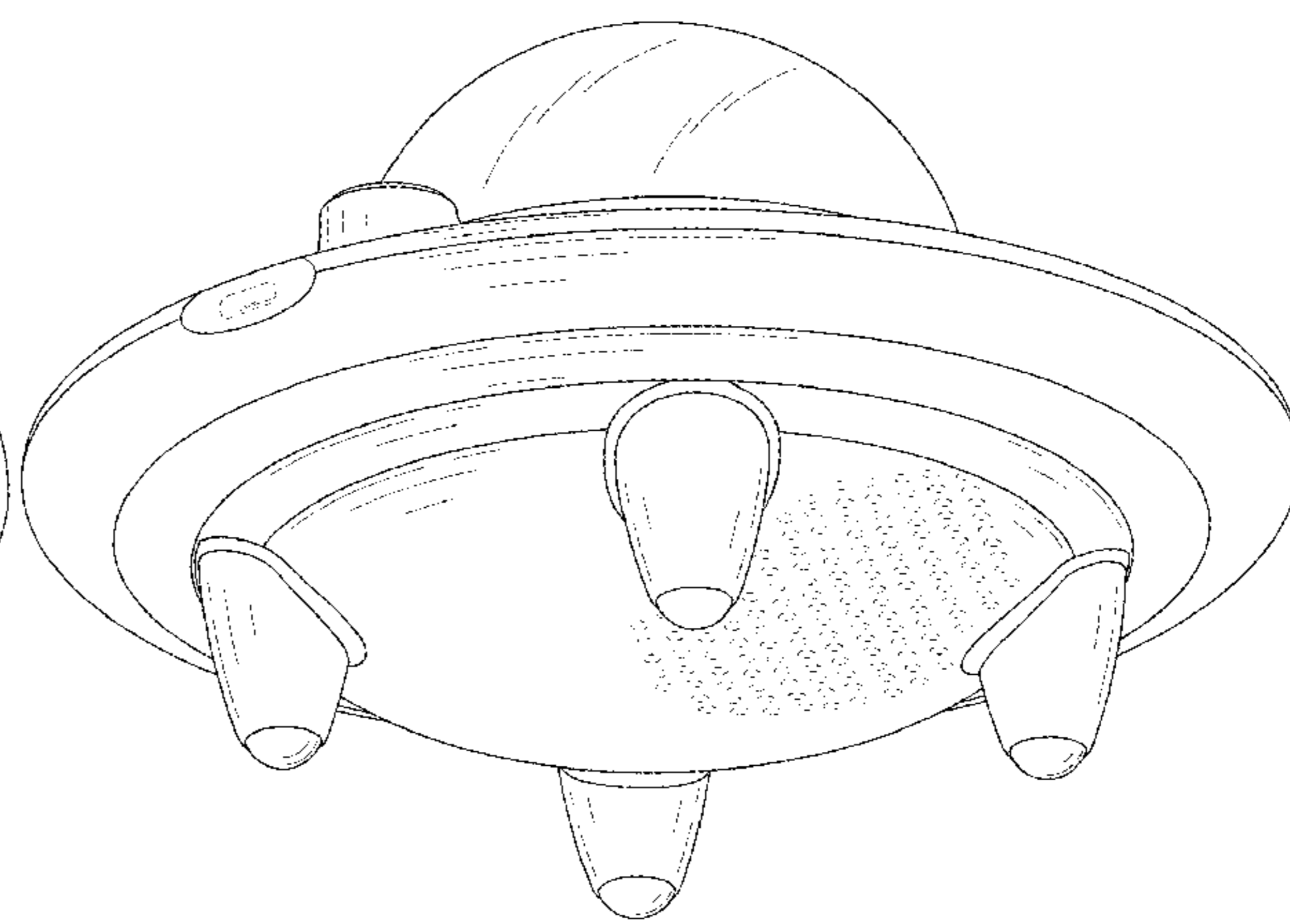
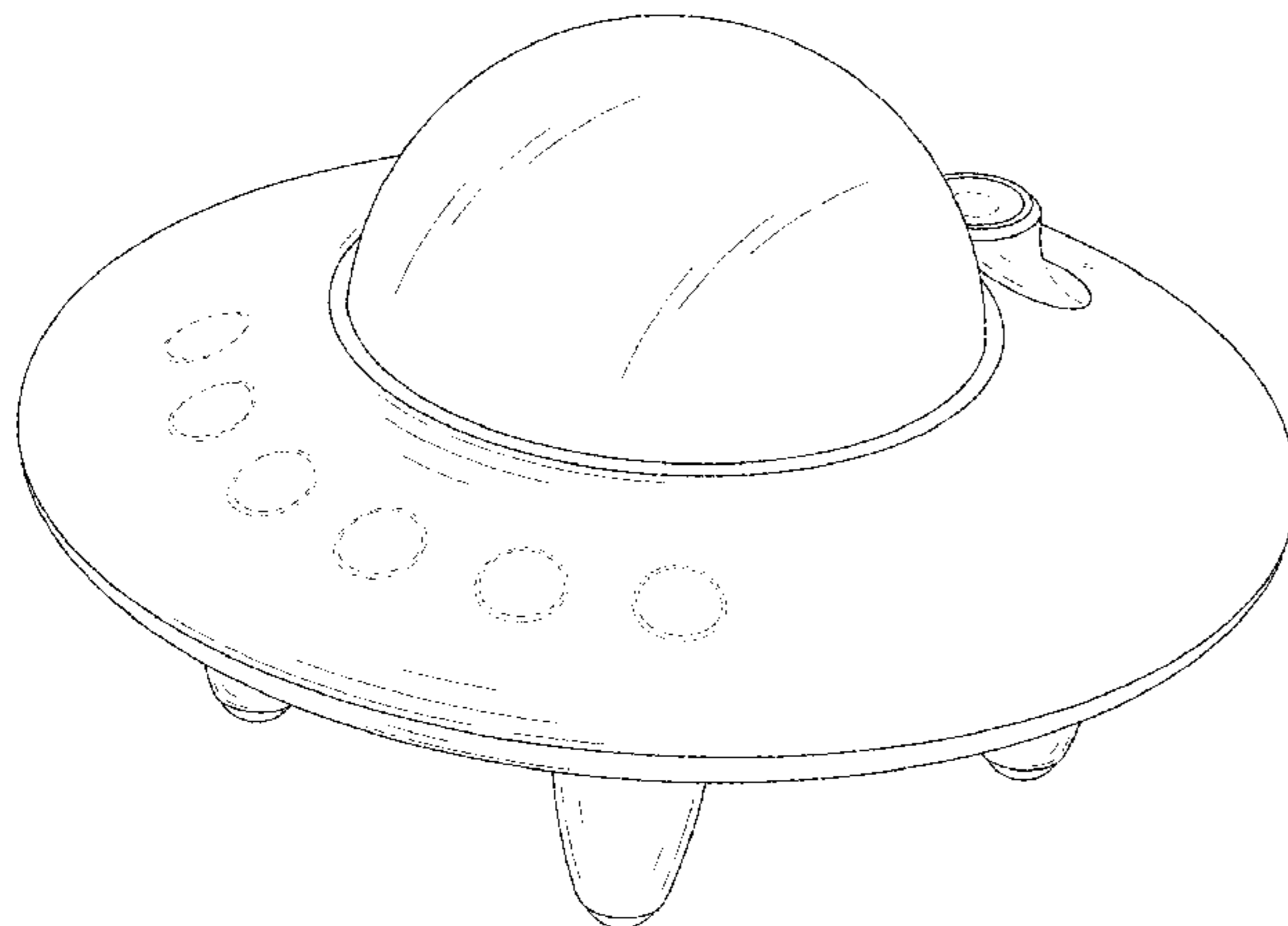
U.S. PATENT DOCUMENTS

D171,512 S \* 2/1954 Miller ..... D26/97  
D386,255 S \* 11/1997 Ying-teng ..... D12/320  
D397,488 S \* 8/1998 Ball ..... D11/163  
D443,713 S \* 6/2001 Benensohn ..... D26/72  
D488,577 S \* 4/2004 Hsu ..... D26/67  
D586,937 S \* 2/2009 Klein ..... D26/104  
D757,307 S \* 5/2016 Wallach ..... D26/24  
D757,334 S \* 5/2016 Johnson ..... D26/94  
D779,109 S \* 2/2017 Wallach ..... D26/97  
D861,964 S 10/2019 Lin  
D861,965 S 10/2019 Lin  
D861,967 S 10/2019 Lin  
D901,065 S \* 11/2020 Wang ..... D26/104

FIG. 1 is a first perspective view of a starry sky projector lamp showing my new design;  
FIG. 2 is a second perspective view thereof;  
FIG. 3 is a front elevation view thereof;  
FIG. 4 is a rear elevation view thereof;  
FIG. 5 is a left side elevation view thereof;  
FIG. 6 is a right side elevation view thereof;  
FIG. 7 is a top plan view thereof; and,  
FIG. 8 is a bottom plan view thereof.

The broken lines immediately adjacent to the claim and contain inner broken lines depict the bounds of the claimed design, while all other broken lines depict portions of the starry sky projector lamp in which the design is embodied that form no part of the claimed design.

**1 Claim, 8 Drawing Sheets**



(56)

**References Cited**

OTHER PUBLICATIONS

Amazon, "Loycco Star Galaxy Projector", first available Sep. 23, 2021. (<https://www.amazon.com/dp/B09G2HS7PW/?th=1>) (Year: 2021).\*

Amazon, "Samkoo Star Projector", first available Aug. 11, 2021. (<https://www.amazon.com/dp/B09CD5WH7R/?th=1>) (Year: 2021).\*

\* cited by examiner

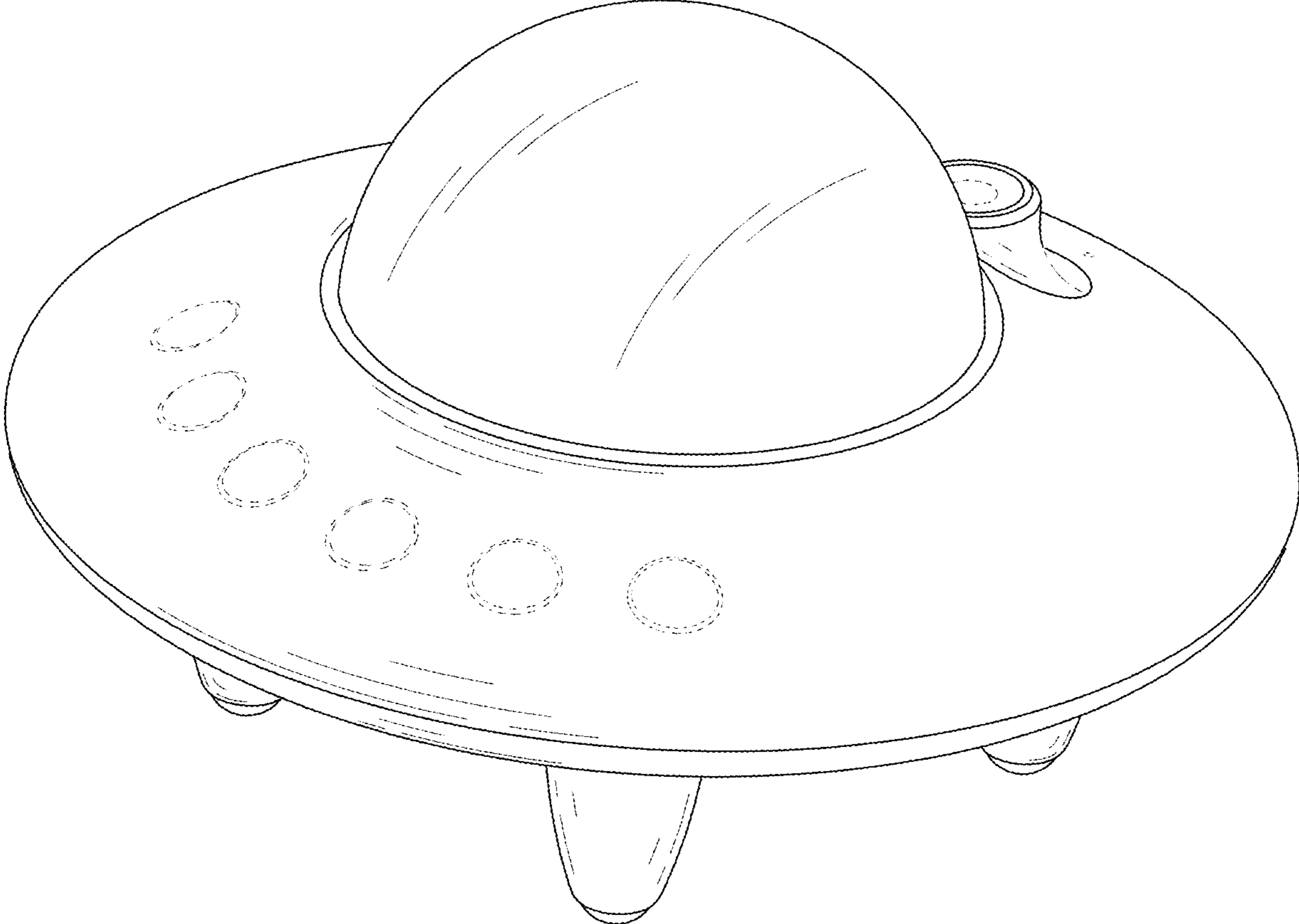


FIG. 1

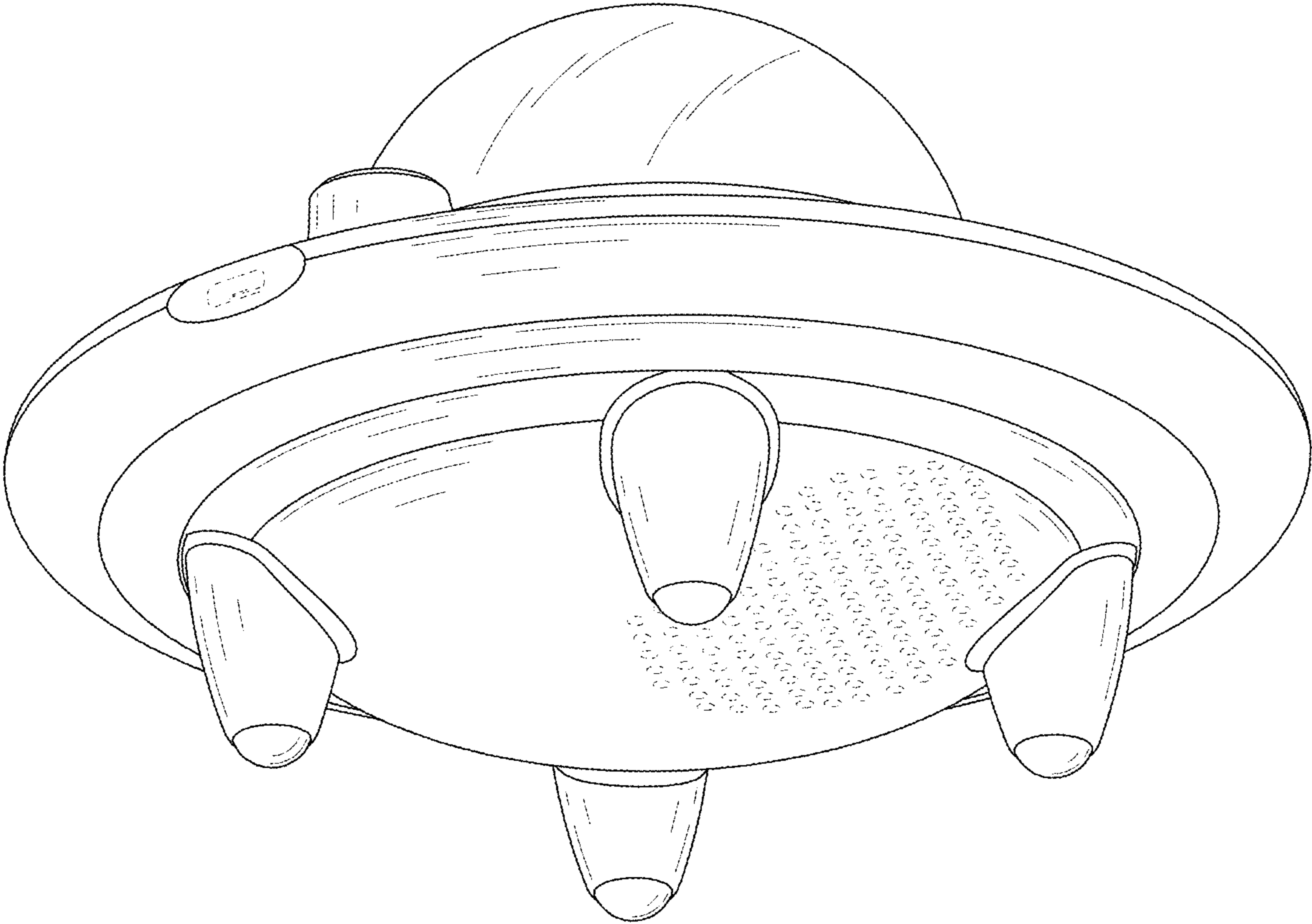


FIG. 2

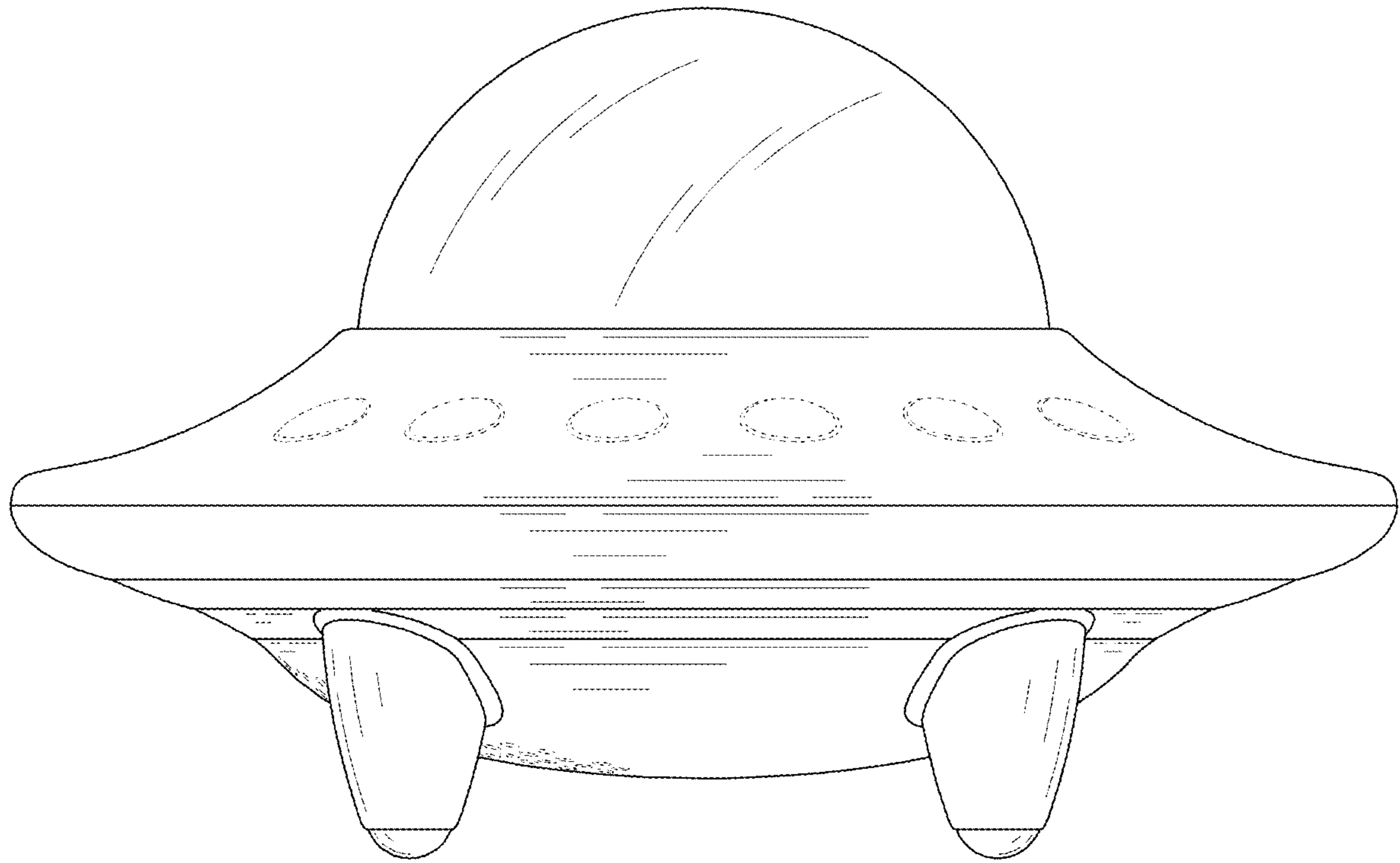


FIG. 3

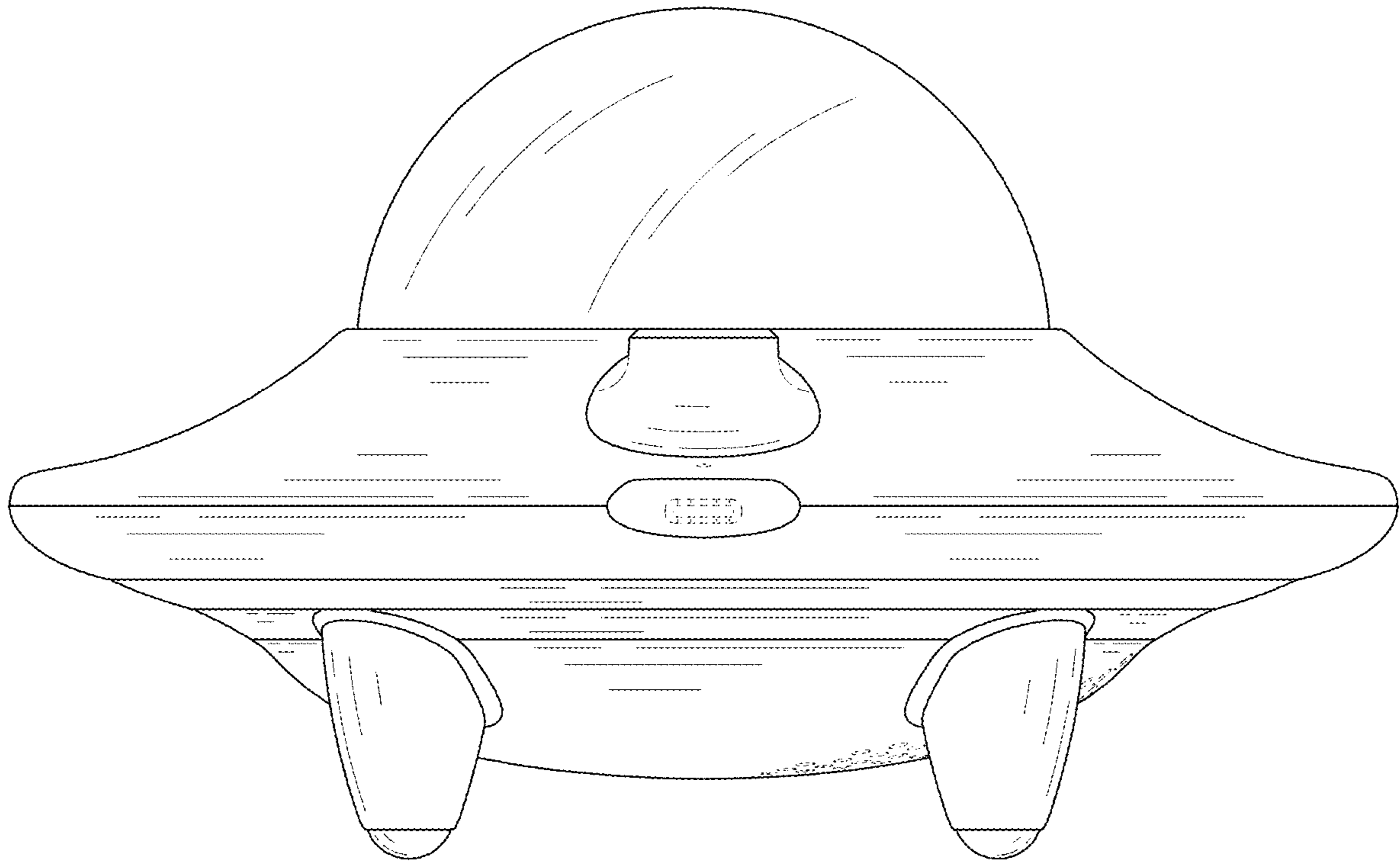


FIG. 4

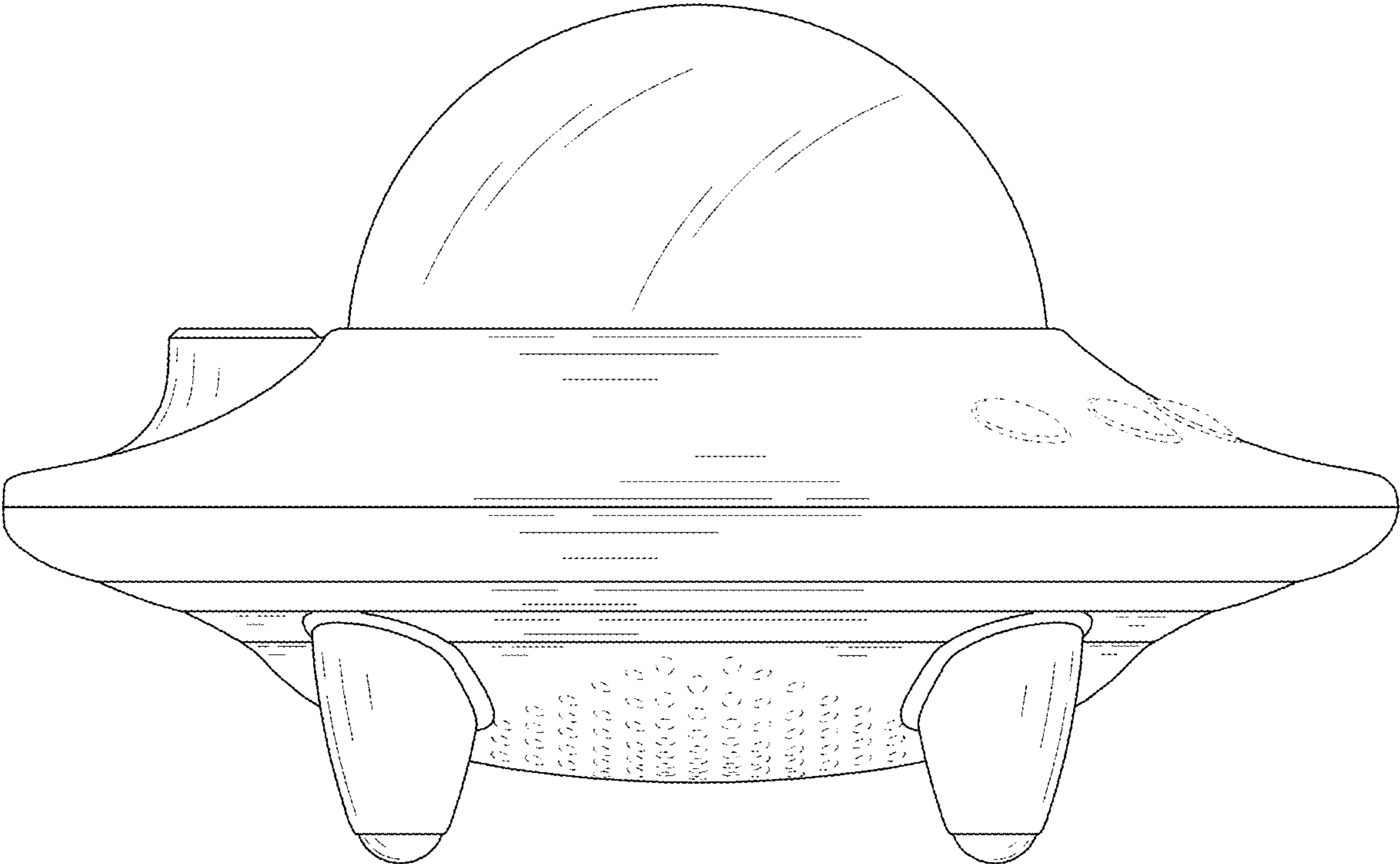


FIG. 5

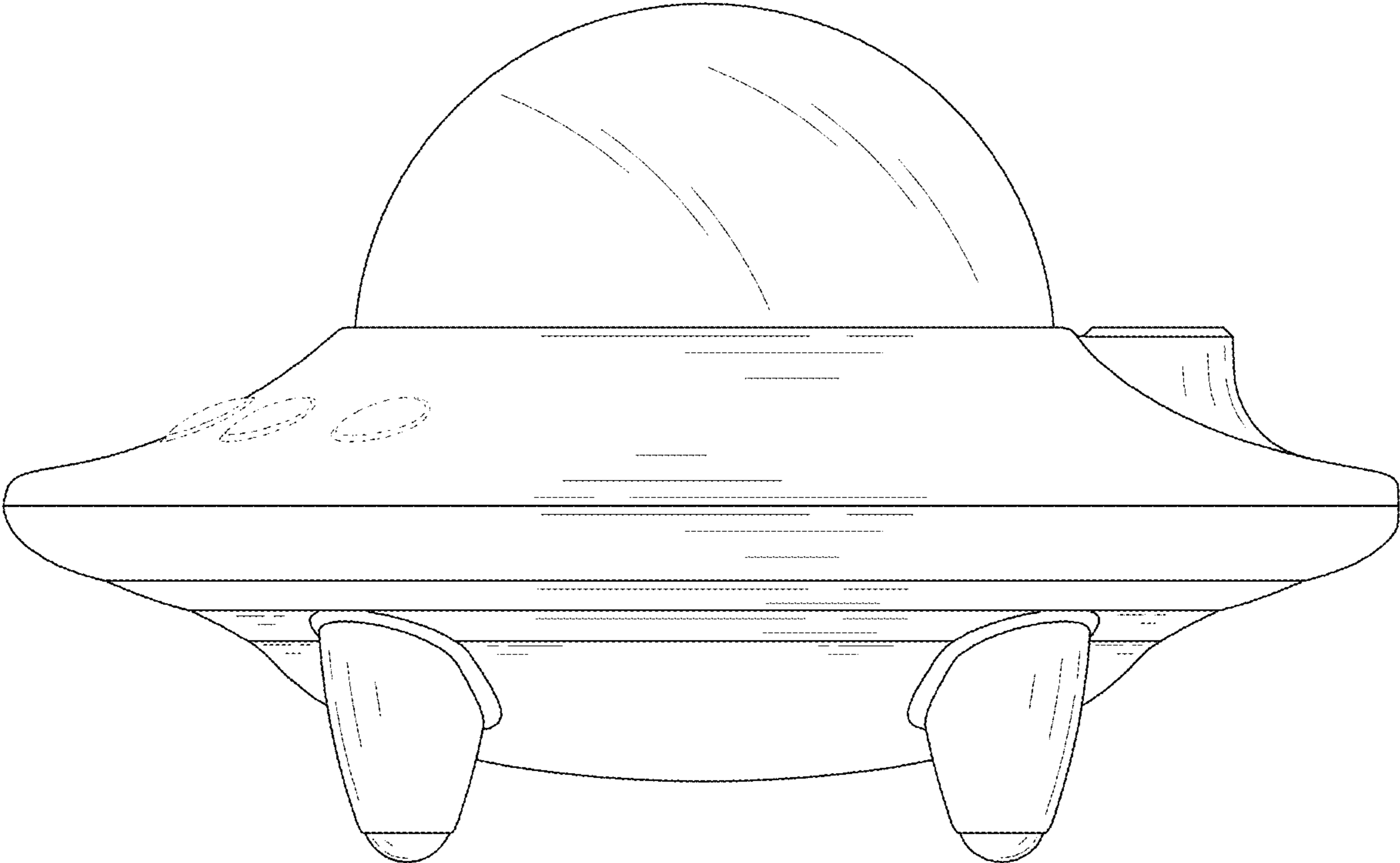


FIG. 6



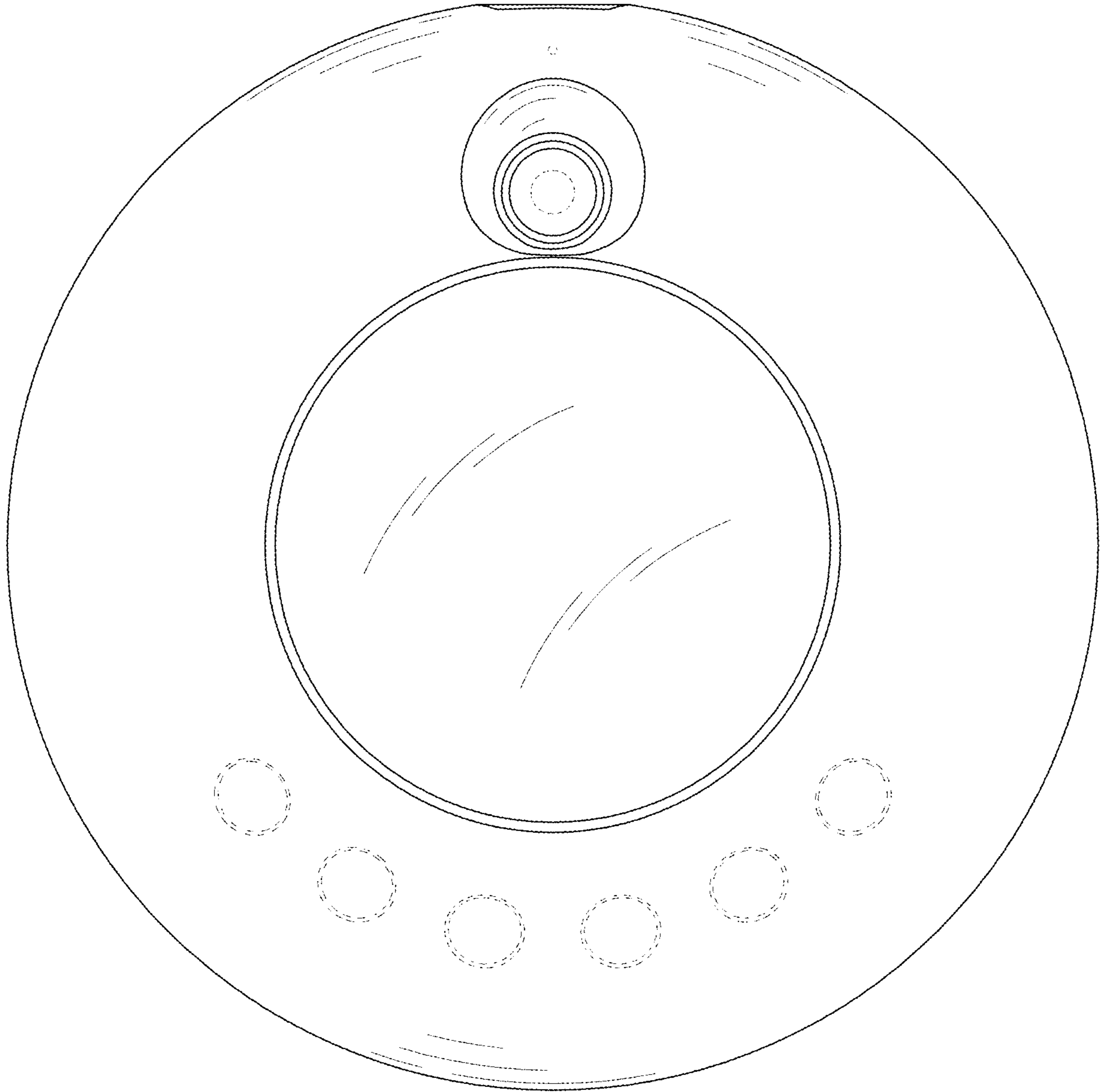


FIG. 7

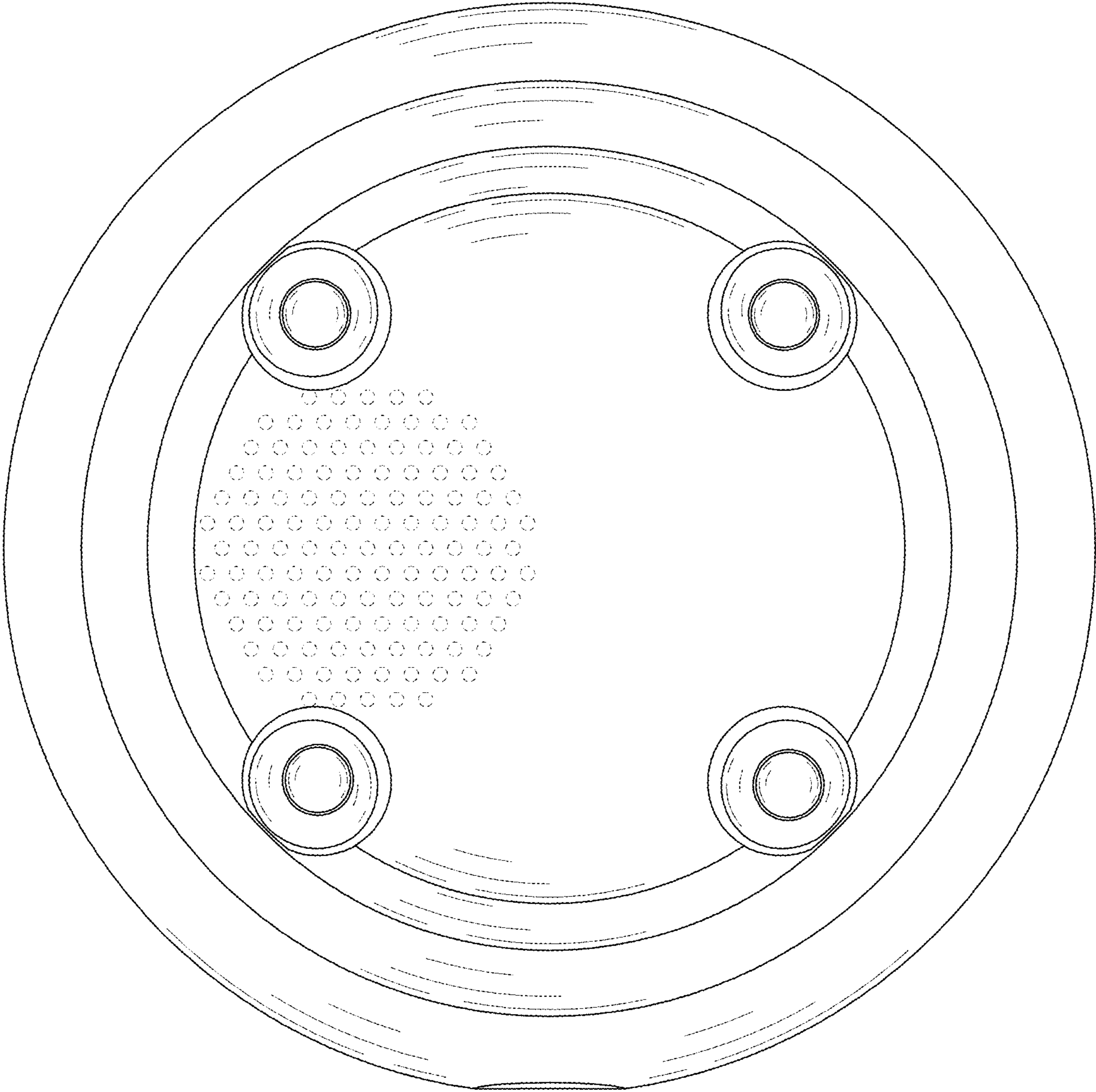


FIG. 8