



US00D963229S

(12) **United States Design Patent** (10) **Patent No.:** **US D963,229 S**
Du (45) **Date of Patent:** **** Sep. 6, 2022**

- (54) **AMBIENT LIGHT**
- (71) Applicant: **Shenzhen Valed Lighting CO., LTD,**
Shenzhen (CN)
- (72) Inventor: **Yanxi Du,** Shenzhen (CN)
- (73) Assignee: **Shenzhen Valed Lighting CO., LTD,**
Shenzhen (CN)
- (**) Term: **15 Years**
- (21) Appl. No.: **29/780,443**
- (22) Filed: **Apr. 24, 2021**
- (51) **LOC (13) Cl.** **26-05**
- (52) **U.S. Cl.**
USPC **D26/93**
- (58) **Field of Classification Search**
USPC D26/1, 2, 24, 93
CPC F21L 2/00; F21L 4/00; F21L 4/02; F21L
4/025; F21L 4/027; F21L 14/00; F21S
2/00; F21S 8/03; F21S 8/033
See application file for complete search history.

- (56) **References Cited**
U.S. PATENT DOCUMENTS
- 3,994,672 A * 11/1976 Novak F23D 3/02
431/320
- D293,720 S * 1/1988 Witte D26/63
- D431,084 S * 9/2000 Bartkus D26/24
- D485,004 S * 1/2004 Olson D26/104
- D487,252 S * 3/2004 Schweitzer D13/134
- D489,469 S * 5/2004 Liou D26/37
- D519,663 S * 4/2006 Wead D26/68
- D567,977 S 4/2008 Jianwei
- D578,687 S * 10/2008 Hong D26/37
- D671,673 S 11/2012 Young et al.
- D773,091 S * 11/2016 Nouvel F21L 4/02
D26/63
- D819,837 S * 6/2018 Katterheinrich D26/1

- D879,355 S * 3/2020 Gillespie F23D 3/02
D26/93
- D910,885 S * 2/2021 Shalvi F23D 3/02
D26/2
- D938,072 S * 12/2021 Klimoski D26/2

FOREIGN PATENT DOCUMENTS

CN 201730463371 * 5/2018

OTHER PUBLICATIONS

Amazon, "Edishine LED Corner Floor Lamp", first available Jun. 23, 2021. (<https://www.amazon.com/dp/B097QS7JFW/>) (Year: 2021).*

Amazon, "RGB Floorlamp, SURLED", first available Sep. 3, 2021. (<https://www.amazon.com/dp/B09FF17H45/>) (Year: 2021).*

Amazon, "41" RGB Corner Floor Lamp", first available Sep. 11, 2021. (<https://www.amazon.com/dp/B097NBCM7W/>) (Year: 2021).*

(Continued)

Primary Examiner — Lauren D McVey
Assistant Examiner — Justin A Johnson
 (74) *Attorney, Agent, or Firm* — Jeenam Park

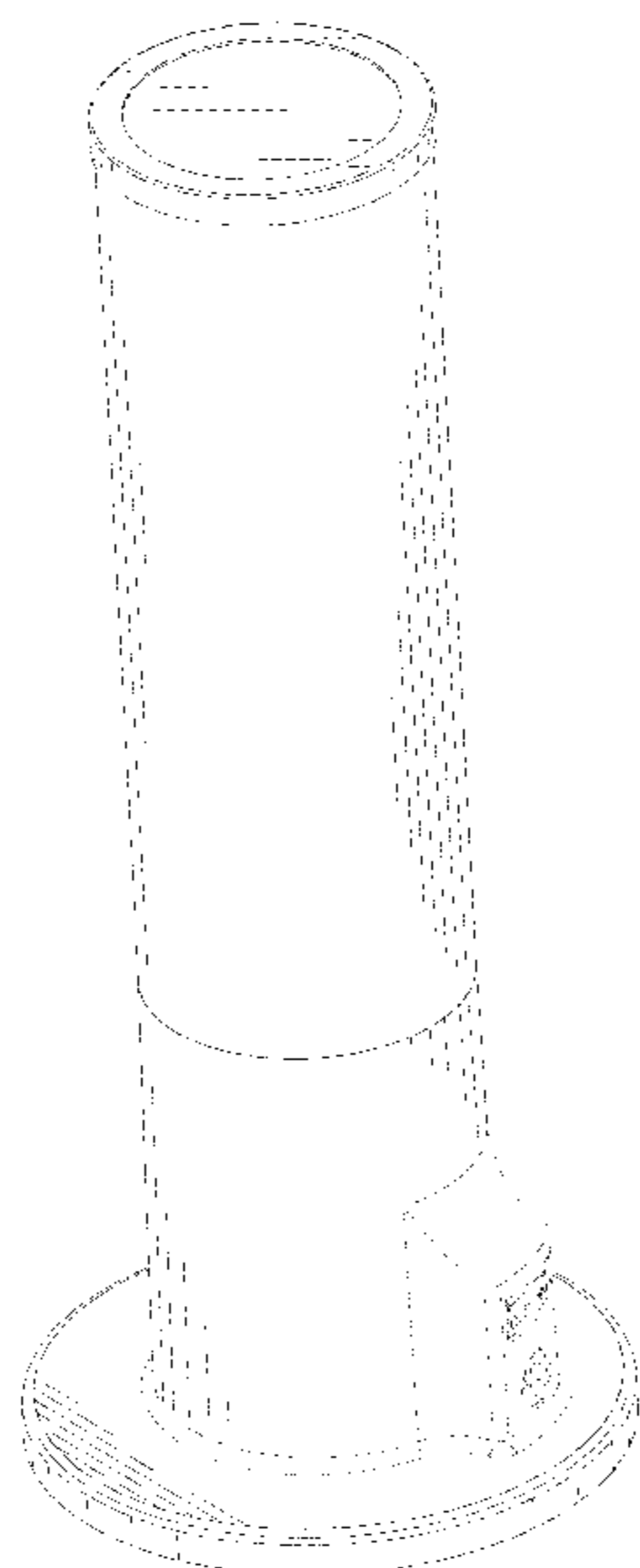
(57) **CLAIM**

The ornamental design for an ambient light, as shown and described.

DESCRIPTION

FIG. 1 is a perspective view of an ambient light showing my new design;
 FIG. 2 is a front view thereof;
 FIG. 3 is a back view thereof;
 FIG. 4 is a left side view thereof;
 FIG. 5 is a right side view thereof;
 FIG. 6 is a top plan view thereof; and,
 FIG. 7 is a bottom plan view thereof.
 The broken lines shown in the drawings illustrate portions of the ambient light that form no part of the claimed design.

1 Claim, 7 Drawing Sheets



(56)

References Cited

OTHER PUBLICATIONS

Alibaba.com, “Valed table lamp”, first accessed Jan. 5, 2022. (https://www.alibaba.com/product-detail/Drop-shipping-New-Release-Valed-table_1600259290232.html) (Year: 2022).*

Amazon, “SUNY Smart RGBW Light Bars”, first available Nov. 15, 2021. (<https://www.amazon.com/dp/B09LTX1WYG/?th=1>) (Year: 2021).*

Amazon, “Phnansow Smart LED Bedside Lamp”, first available Aug. 24, 2021. (<https://www.amazon.com/PHNANSOW-Bedside-Dimmable-Nightstands-Atmosphere/dp/B09BBGPXDJ>) (Year: 2021).*

Facebook, “Shenzhen Valed Lighting”, first available Mar. 7, 2022. (<https://www.facebook.com/szvalled/photos/5529967983684677>) (Year: 2022).*

* cited by examiner

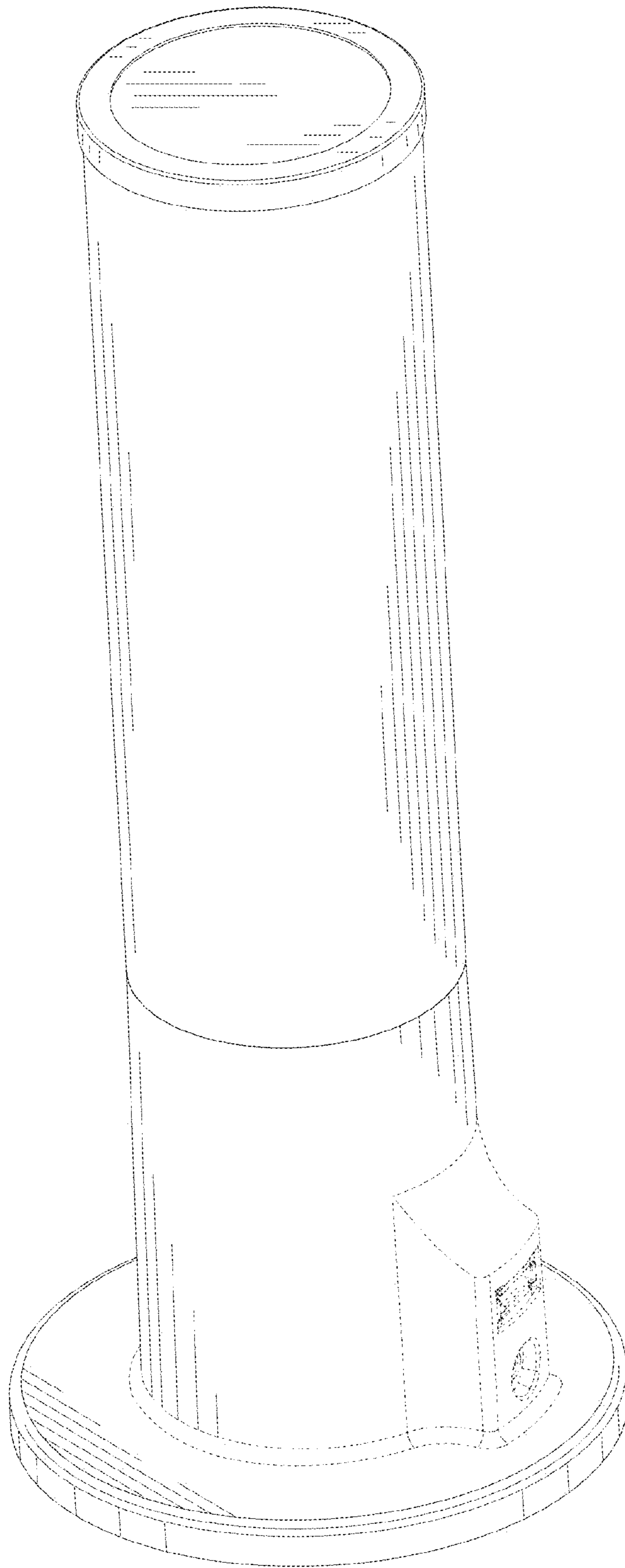


FIG. 1

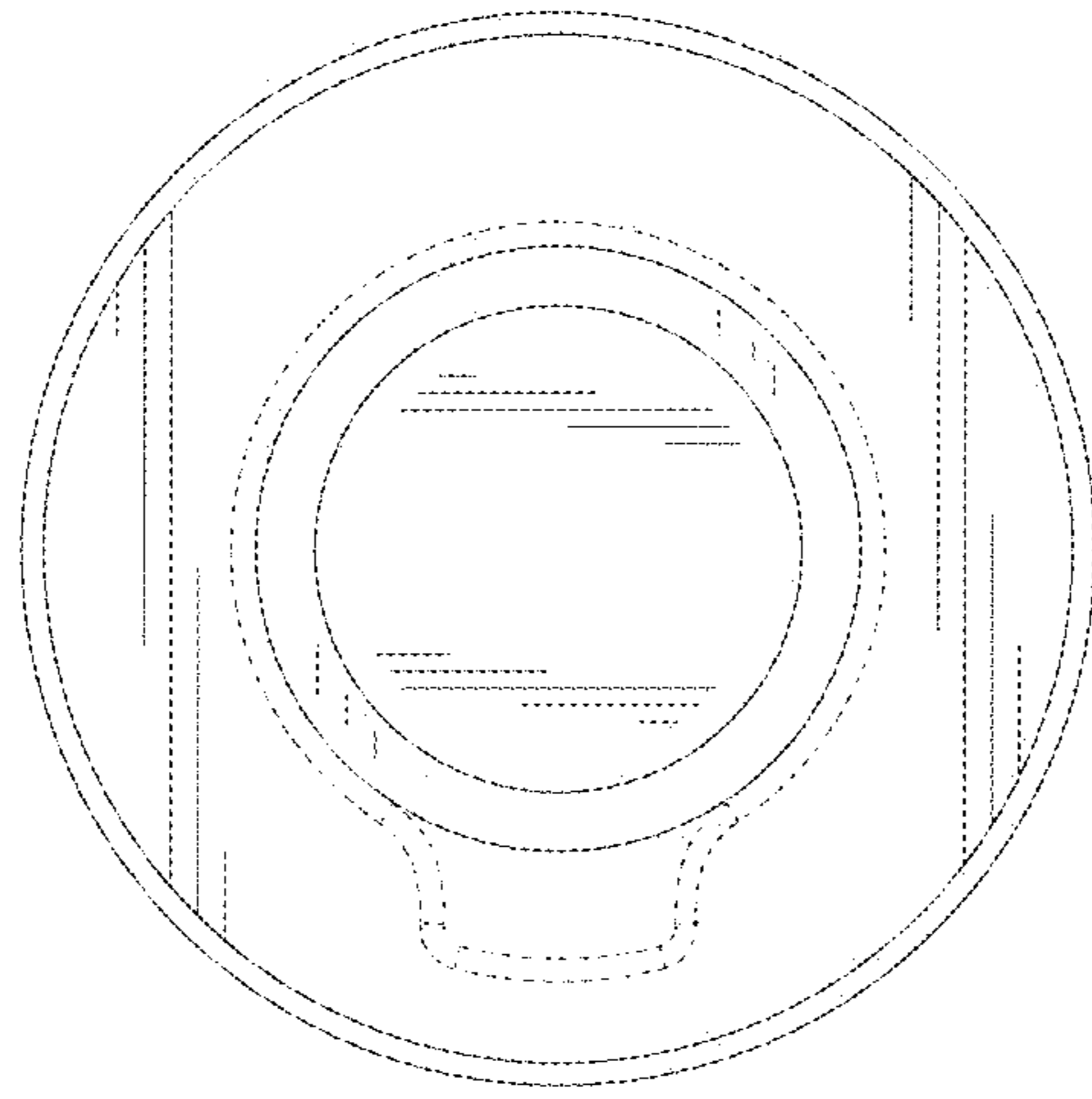


FIG. 2

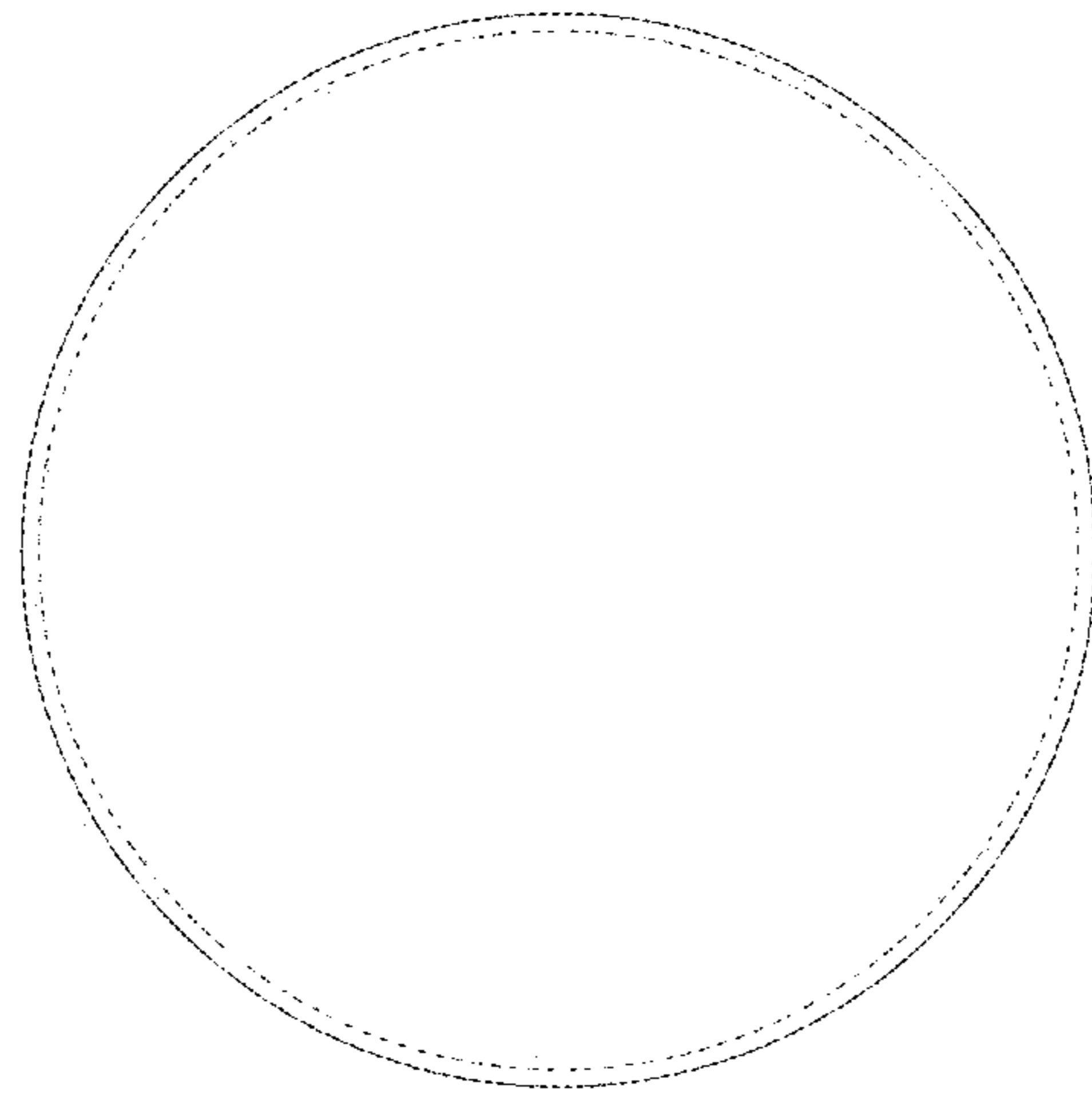


FIG. 3

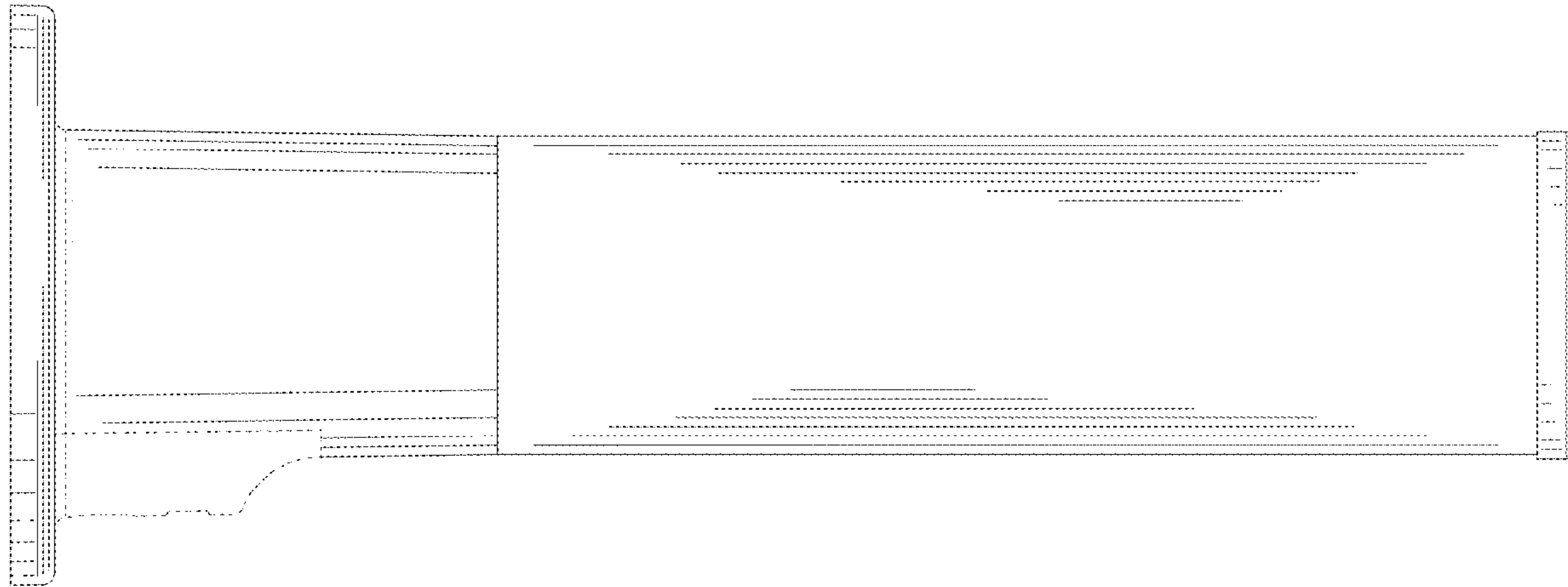


FIG. 4

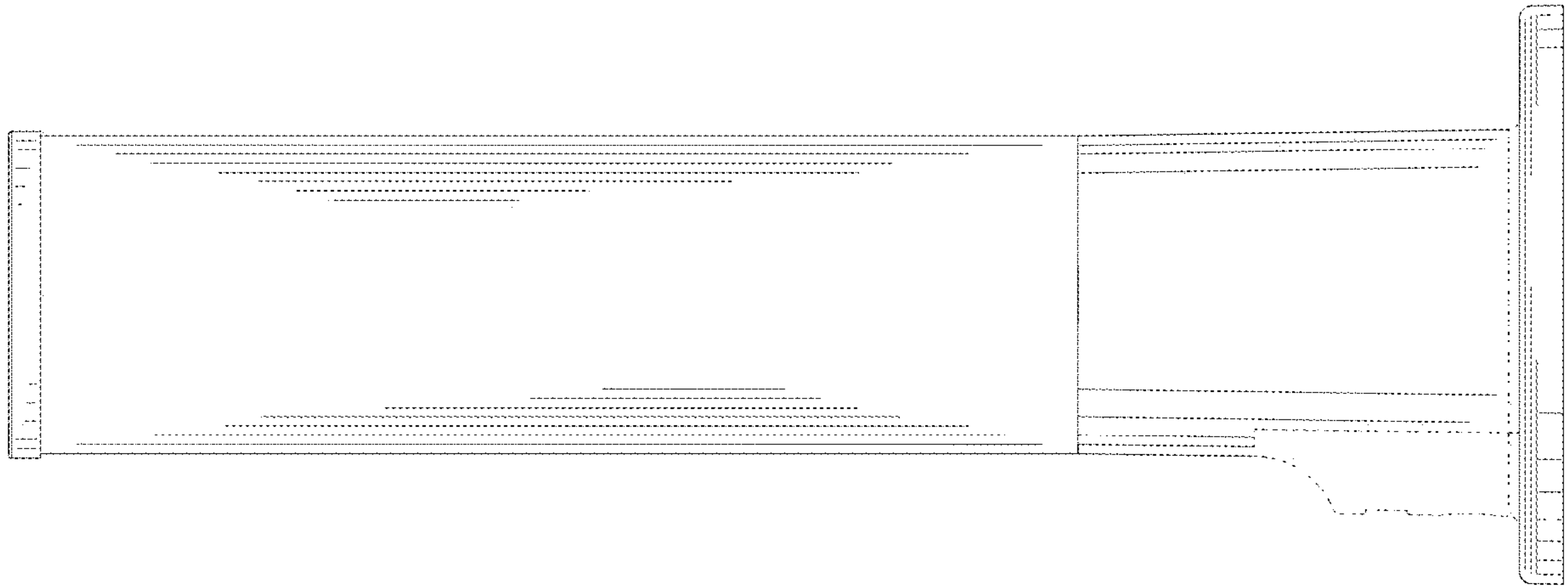


FIG. 5

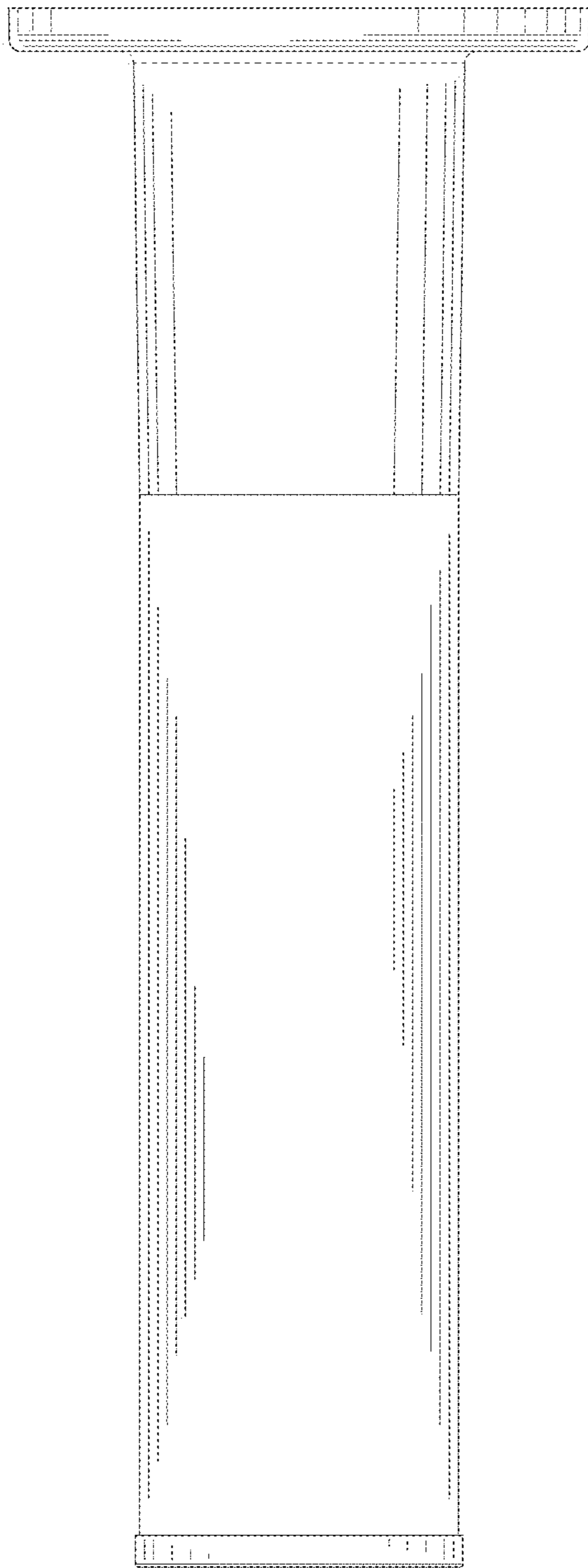


FIG. 6

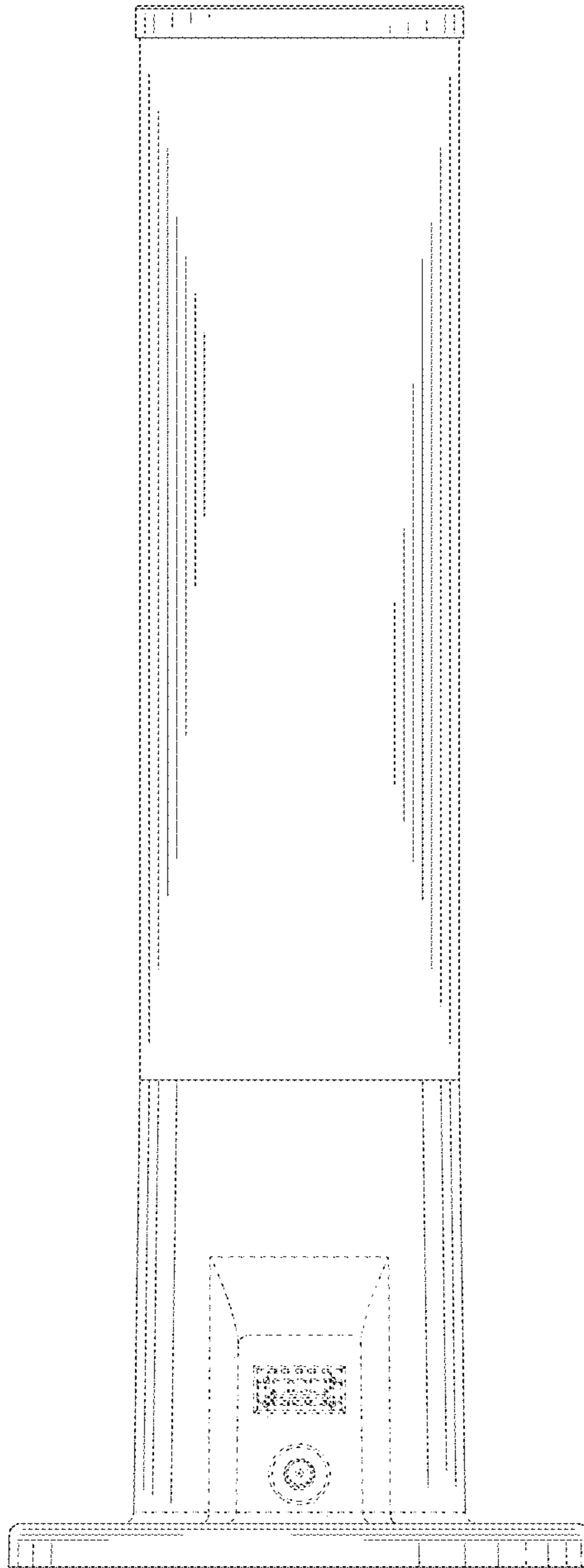


FIG. 7