



US00D963228S

(12) **United States Design Patent** (10) **Patent No.:** **US D963,228 S**
Knauff (45) **Date of Patent:** **** Sep. 6, 2022**

(54) **CEILING LAMP**
(71) Applicant: **ANSORG GMBH**, Mulheim an der Ruhr (DE)
(72) Inventor: **Volker Knauff**, Essen (DE)
(73) Assignee: **Ansorg GmbH**, Mulheim an der Ruhr (DE)
(**) Term: **15 Years**
(21) Appl. No.: **29/745,003**

D617,031 S * 6/2010 Redfern D26/85
D731,694 S * 6/2015 Tomlinson D26/85
D769,508 S * 10/2016 Rosello Gratacos D26/88
D801,574 S * 10/2017 Amato D26/118
D803,453 S * 11/2017 Engle D26/72
D830,622 S * 10/2018 Galekop D26/118
D841,220 S * 2/2019 Chen D26/88
D860,498 S * 9/2019 Engle D26/72
D861,223 S * 9/2019 Rosello D26/72
D869,066 S * 12/2019 Sonneman D26/128
D879,336 S * 3/2020 Eaves D26/9
D925,102 S * 7/2021 Fletcher D26/118
D939,754 S * 12/2021 Ghasabi D26/74
2008/0205068 A1 * 8/2008 Neeld F21V 17/10
362/317

(22) Filed: **Aug. 3, 2020**
(30) **Foreign Application Priority Data**
Feb. 5, 2020 (WO) WIPO91884
(51) **LOC (13) Cl.** **26-05**
(52) **U.S. Cl.**
USPC **D26/88**
(58) **Field of Classification Search**
USPC D26/1, 24, 72, 74, 80, 83, 91, 118, 120,
D26/124, 128, 131, 135, 85-89
CPC F21S 8/03; F21S 8/033; F21S 8/036; F21S
8/04; F21S 8/043; F21S 8/046; F21S
8/06; F21S 8/061; F21S 8/063; F21S
8/065
See application file for complete search history.

(56) **References Cited**
U.S. PATENT DOCUMENTS
D403,097 S * 12/1998 Littman D26/87
D428,512 S * 7/2000 Minissi D26/88
D461,922 S * 8/2002 Hille D26/67
D465,298 S * 11/2002 Gottwald D26/85
D599,931 S * 9/2009 van Klinken D26/67
D603,552 S * 11/2009 Kampe D26/88

OTHER PUBLICATIONS

Ansorg, Lizzy Light Module. First available unknown. Searched Jan. 24, 2022. [<https://ansorg.com/en/products/all-products/lizzy/lizzy-lmp#/>] (Year: 2022).*

(Continued)

Primary Examiner — Samantha Q Lawrence
Assistant Examiner — Melissa Adriane Santos
(74) *Attorney, Agent, or Firm* — Dentons US LLP

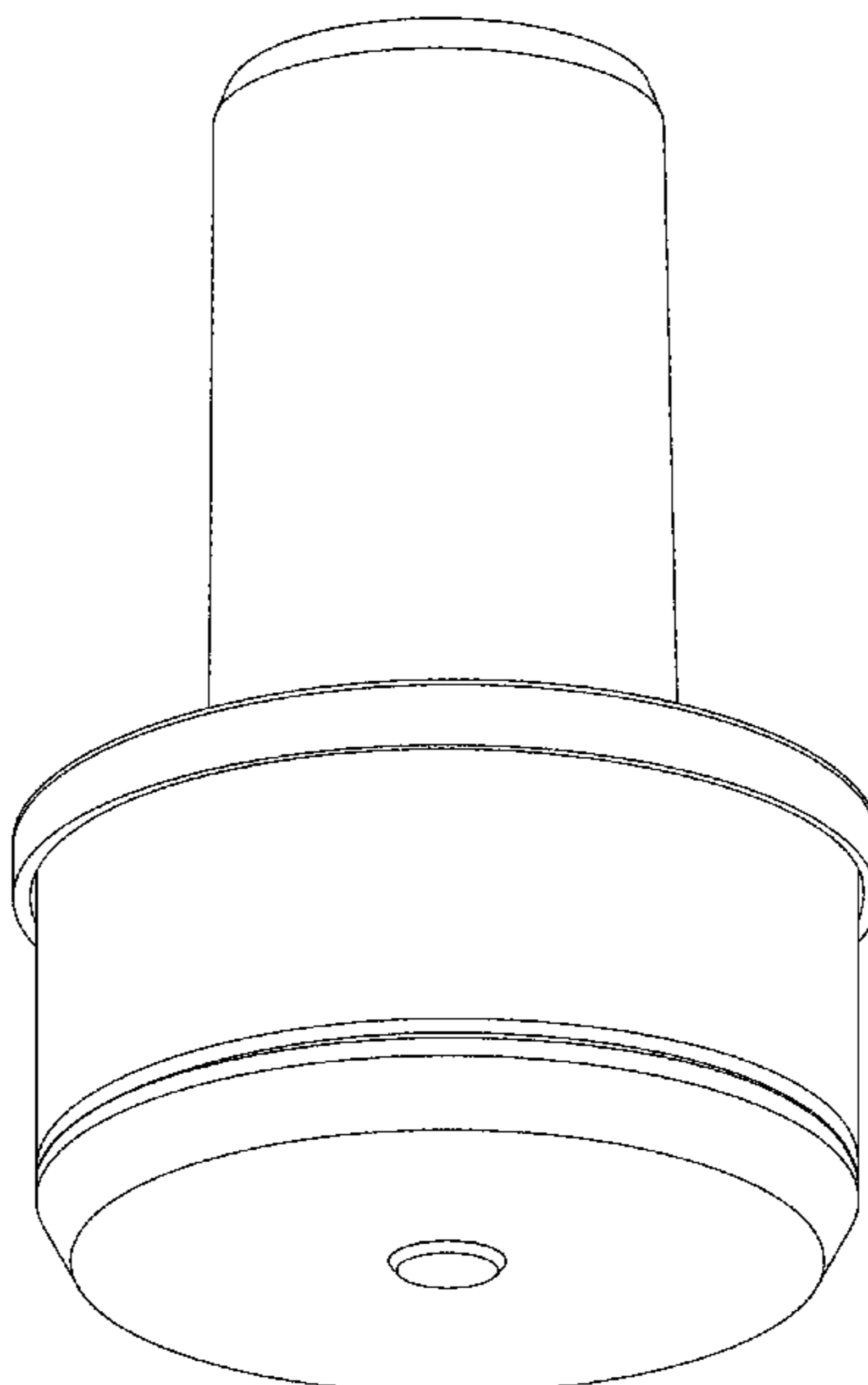
(57) **CLAIM**

An ornamental design of a ceiling lamp, as shown and described.

DESCRIPTION

FIG. 1 is perspective view of a ceiling lamp;
FIG. 2 is a perspective view thereof;
FIG. 3 is a front view thereof;
FIG. 4 is a top view thereof; and,
FIG. 5 is a bottom view thereof.
Broken lines shown in drawings illustrate portions of a ceiling lamp that form no part of a claimed design.

1 Claim, 5 Drawing Sheets



(56)

References Cited

OTHER PUBLICATIONS

Eureka Lighting, Stella Suspended Ceiling Lamp. First available unknown. Searched Jan. 24, 2022. [<https://www.eurekalighting.com/products/stella-2/>] (Year: 2022).*

Bega, Surface Mounted Downlight. First available unknown. Searched Jan. 24, 2022. [<https://www.bega-us.com/categories/exterior/ceiling/partially-frosted-crystal-glass-120002>] (Year: 2022).*

Huh Yun-su, Ceiling Light. First available Oct. 10, 2020. Searched Nov. 17, 2021. Questel serial No. of registration 301072991.0000. (Year: 2020).*

Abe Tsuyoshi, Hanging ceiling light lamp body. First available Feb. 4, 2015. Searched Nov. 17, 2021. Questel serial No. of registration D1535145 (Year: 2015).*

* cited by examiner

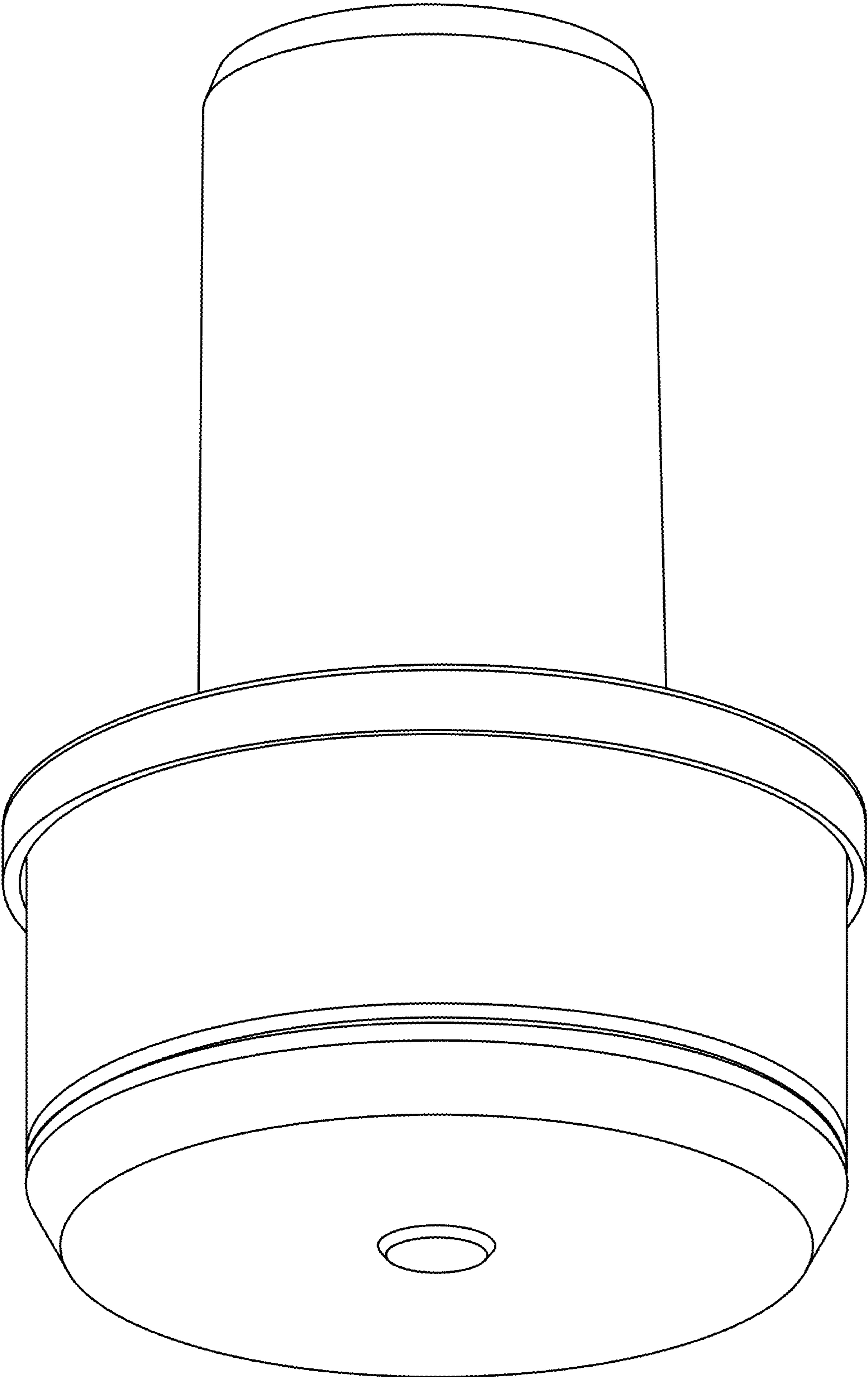


FIG. 1

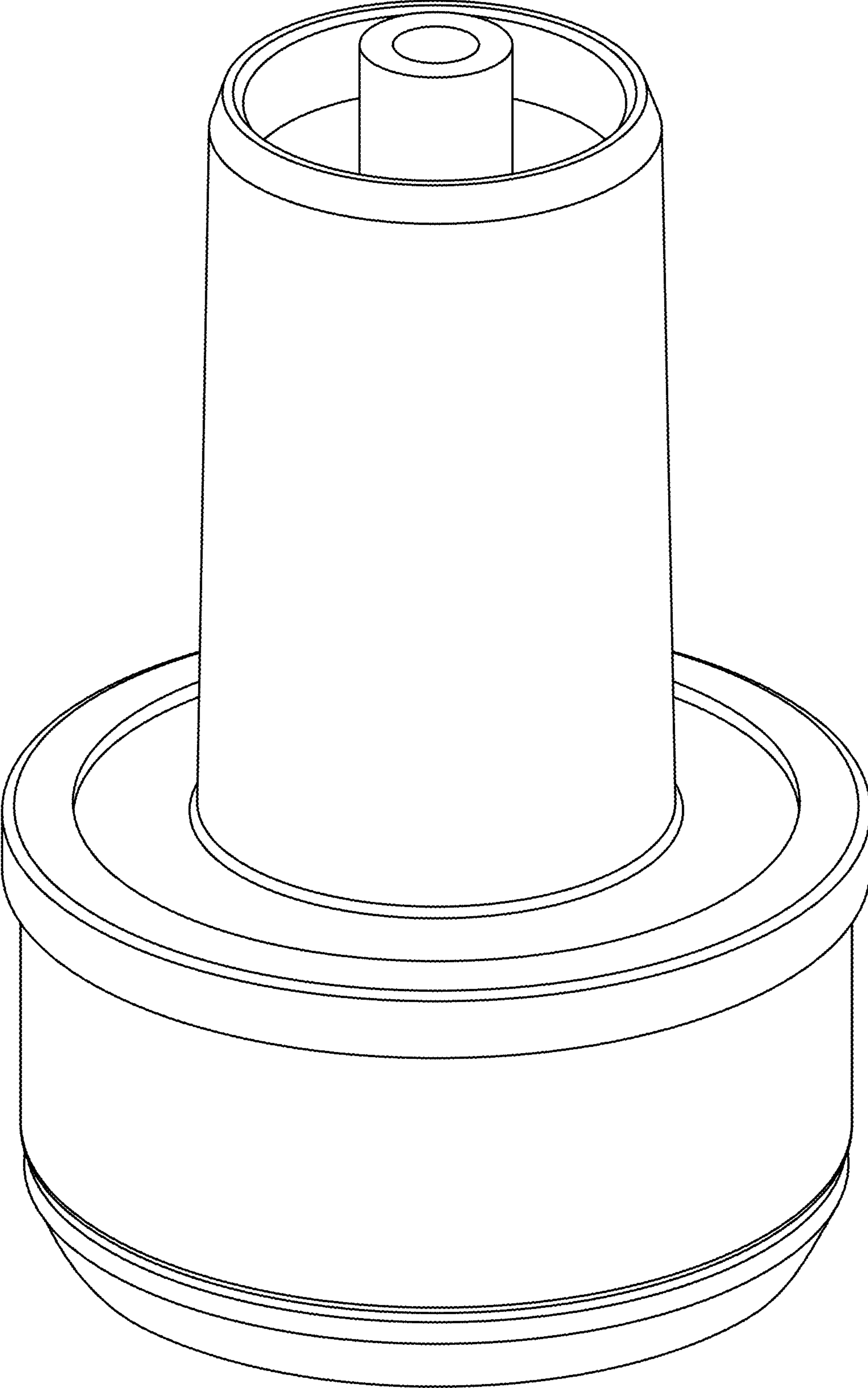


FIG. 2

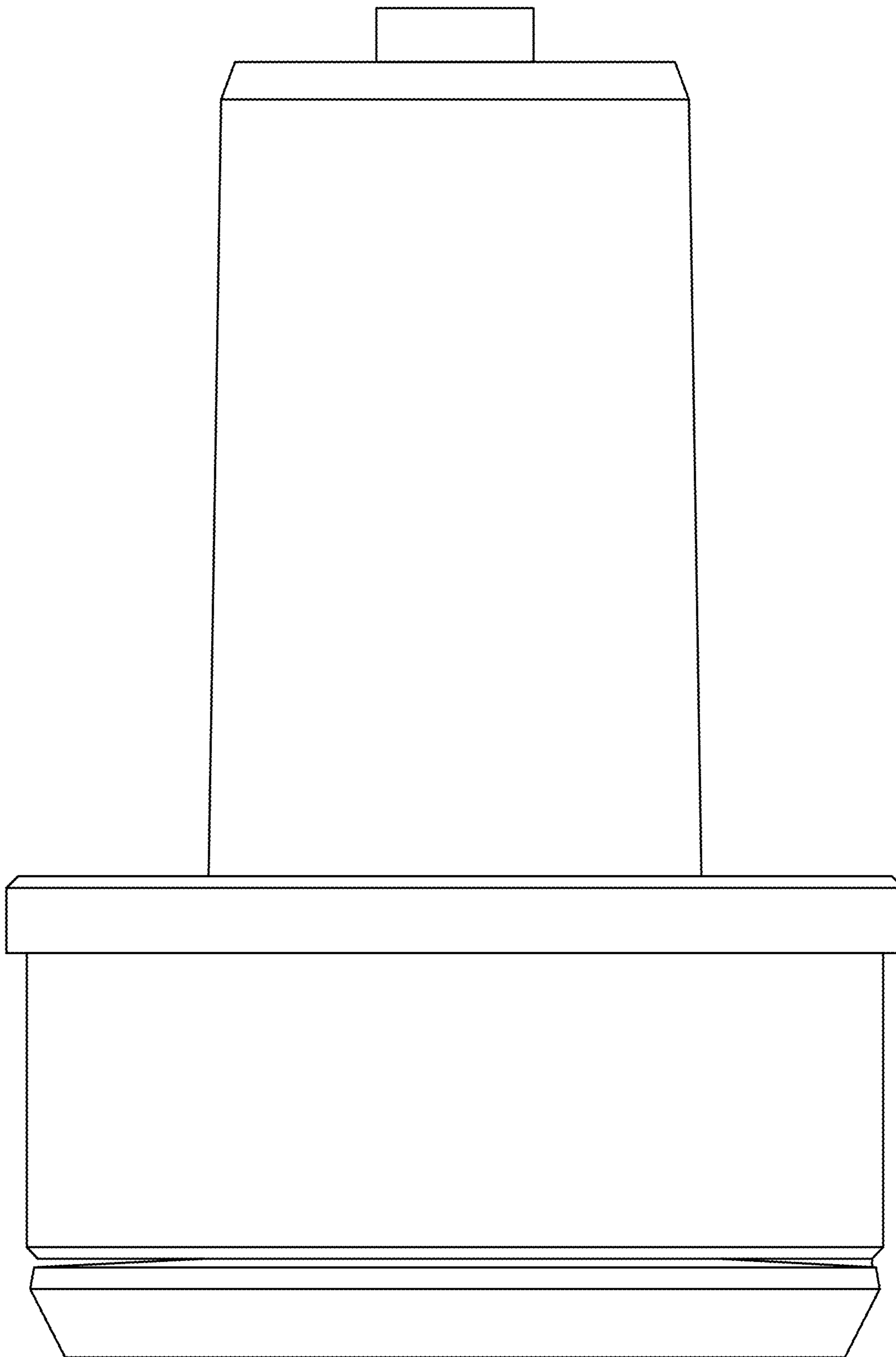


FIG. 3

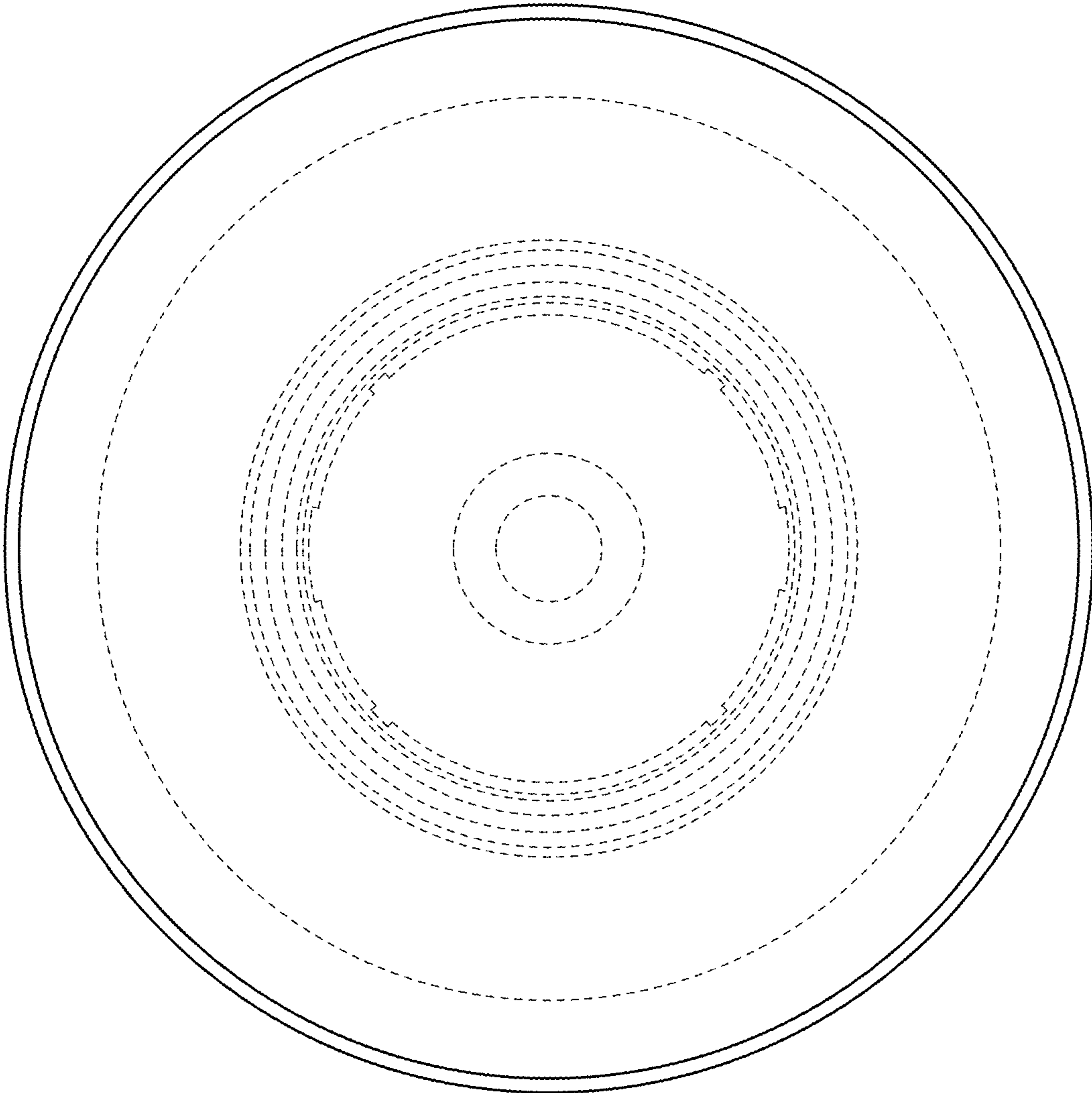


FIG. 4

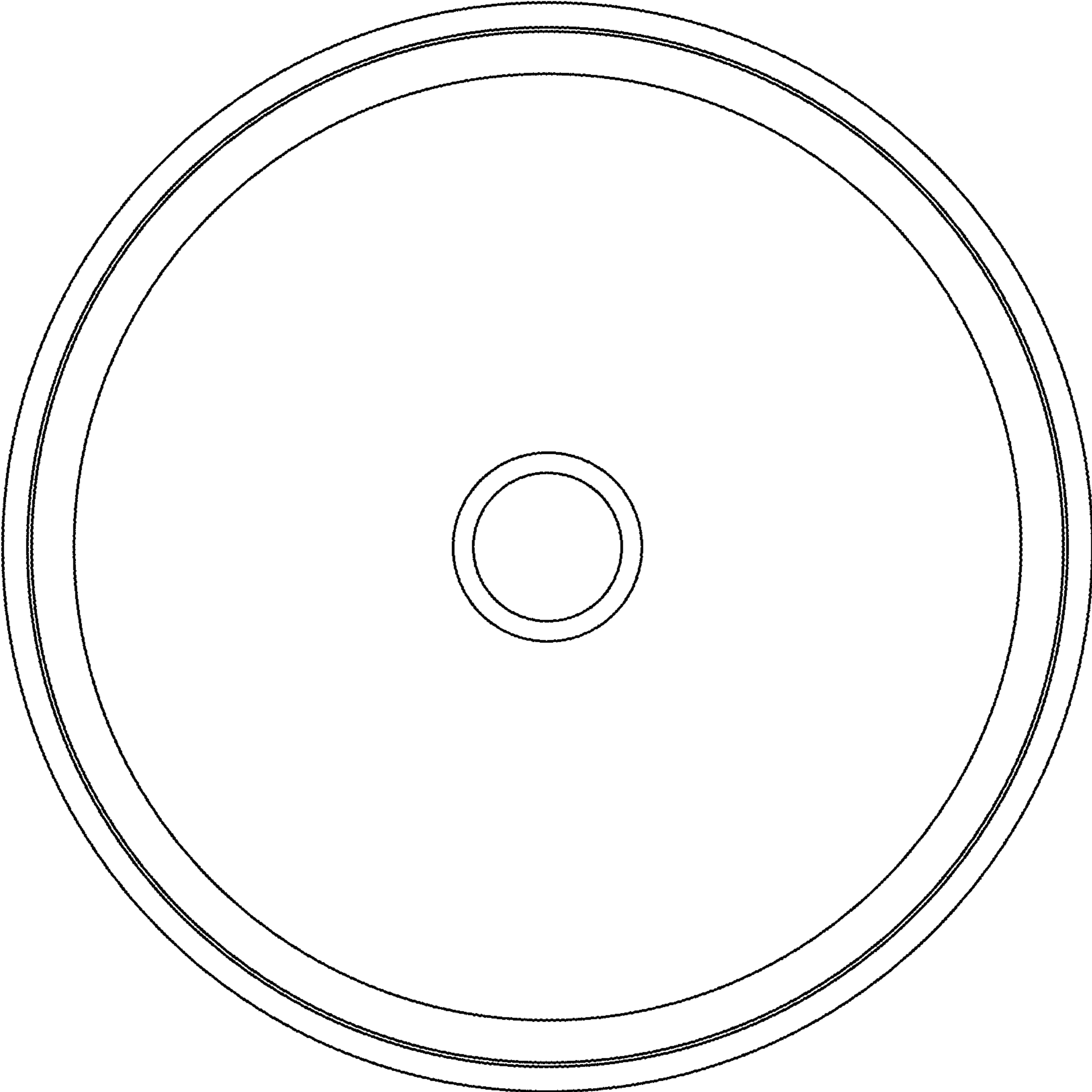


FIG. 5