



US00D963227S

(12) **United States Design Patent** (10) **Patent No.:** **US D963,227 S**
Wu (45) **Date of Patent:** **** Sep. 6, 2022**

(54) **LED LIGHT**
(71) Applicant: **NINGBO XINGGUANGCANLAN ELECTRIC CO., LTD., Ningbo (CN)**
(72) Inventor: **Jiming Wu, Ningbo (CN)**
(**) Term: **15 Years**
(21) Appl. No.: **29/801,868**

D642,726 S * 8/2011 Khubani D26/80
D650,507 S * 12/2011 Osiecki D26/72
D662,644 S * 6/2012 Wauters D26/83
D706,516 S * 6/2014 Caglia D1/105
D873,468 S * 1/2020 Ma D26/85
D898,976 S 10/2020 Xu
D900,356 S 10/2020 Zhu
D912,299 S 3/2021 Lin
D937,464 S * 11/2021 Zou D26/72
D938,640 S * 12/2021 Zou D26/72
D940,376 S * 1/2022 Yuan D26/76
D945,045 S * 3/2022 Shen D26/76
D946,801 S * 3/2022 Shen D26/51

(22) Filed: **Aug. 2, 2021**
(51) **LOC (13) Cl.** **26-04**
(52) **U.S. Cl.**
USPC **D26/76; D26/85**
(58) **Field of Classification Search**
USPC D26/72, 74, 76, 78-83, 85, 86, 88, 90,
D26/93, 111, 113, 118-122, 138, 139,
D26/140, 141, 142, 152
CPC F21S 2/00; F21S 4/00; F21S 4/003; F21S
4/005; F21S 4/006; F21S 4/007; F21S
4/008; F21S 6/00; F21S 8/00; F21S
8/024; F21S 8/026; F21S 8/031; F21S
8/033; F21S 8/035-037; F21S 8/04; F21S
8/043; F21S 8/063
See application file for complete search history.

* cited by examiner

Primary Examiner — *Natasha Vujcic*

(57) **CLAIM**

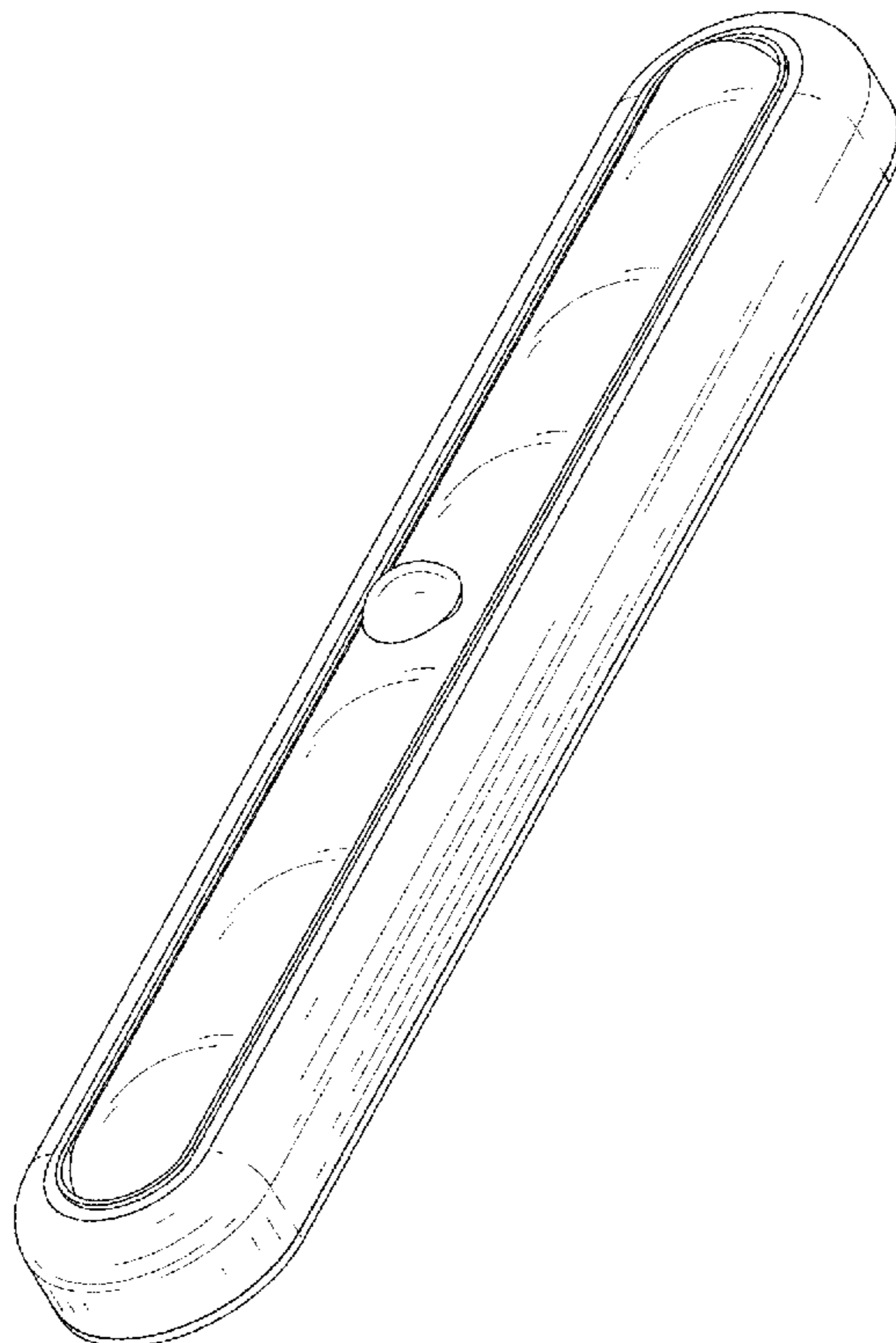
The ornamental design for an LED light, as shown and described.

DESCRIPTION

FIG. 1 is a first perspective view of an LED light showing my new design;
FIG. 2 is a second perspective view thereof;
FIG. 3 is a front view thereof;
FIG. 4 is a back view thereof;
FIG. 5 is a left side view thereof;
FIG. 6 is a right side view thereof;
FIG. 7 is a top view thereof; and,
FIG. 8 is a bottom view thereof.
The broken lines shown in the drawings depict portions of the LED light in which the design is embodied that form no part of the claimed design.

(56) **References Cited**
U.S. PATENT DOCUMENTS
D493,565 S * 7/2004 Smith D26/118
D494,081 S * 8/2004 Boilen D10/114.4
D563,003 S * 2/2008 Aleksjew D26/37
D612,973 S * 3/2010 Munstermann D26/80

1 Claim, 8 Drawing Sheets



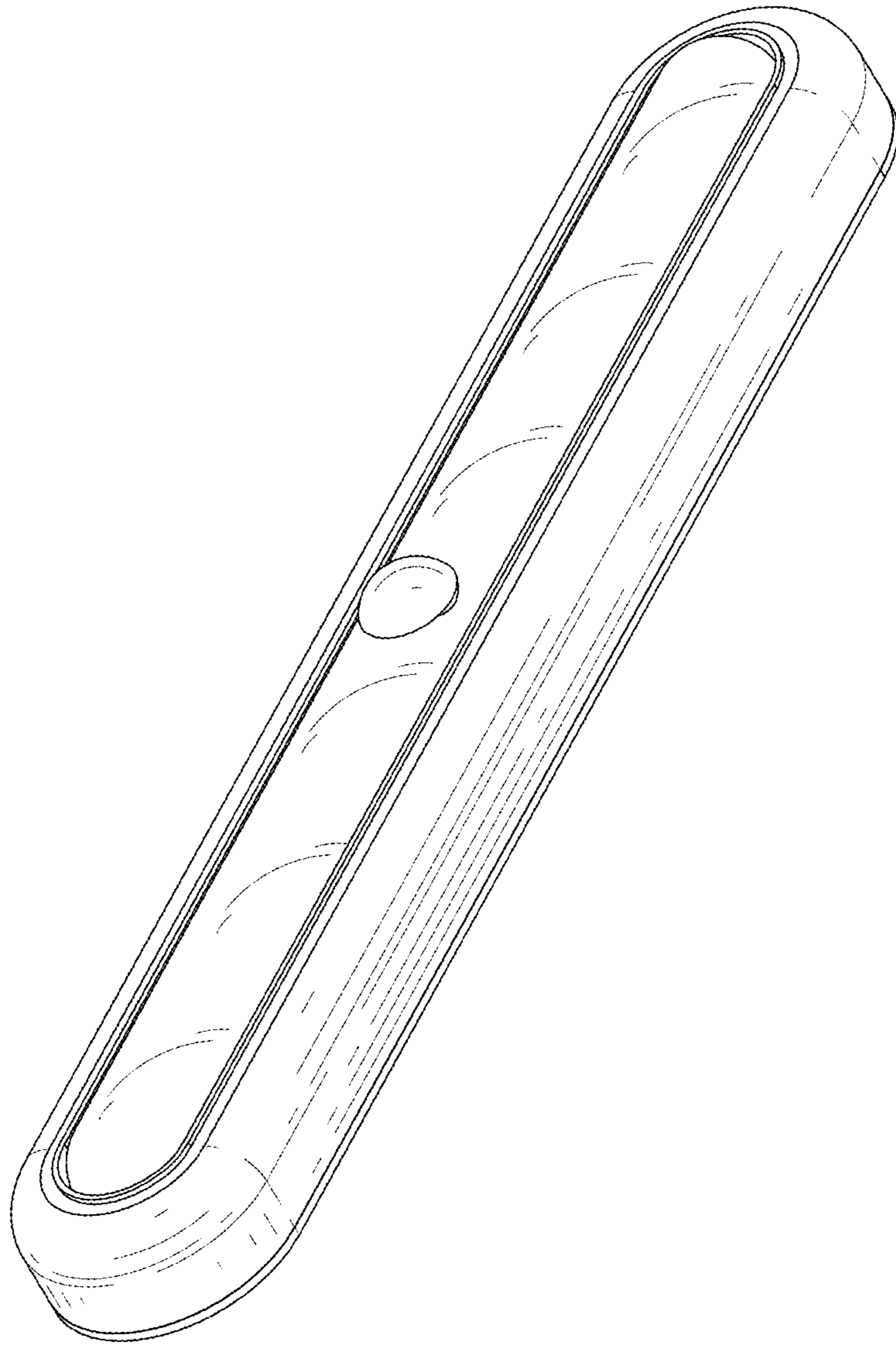


FIG. 1

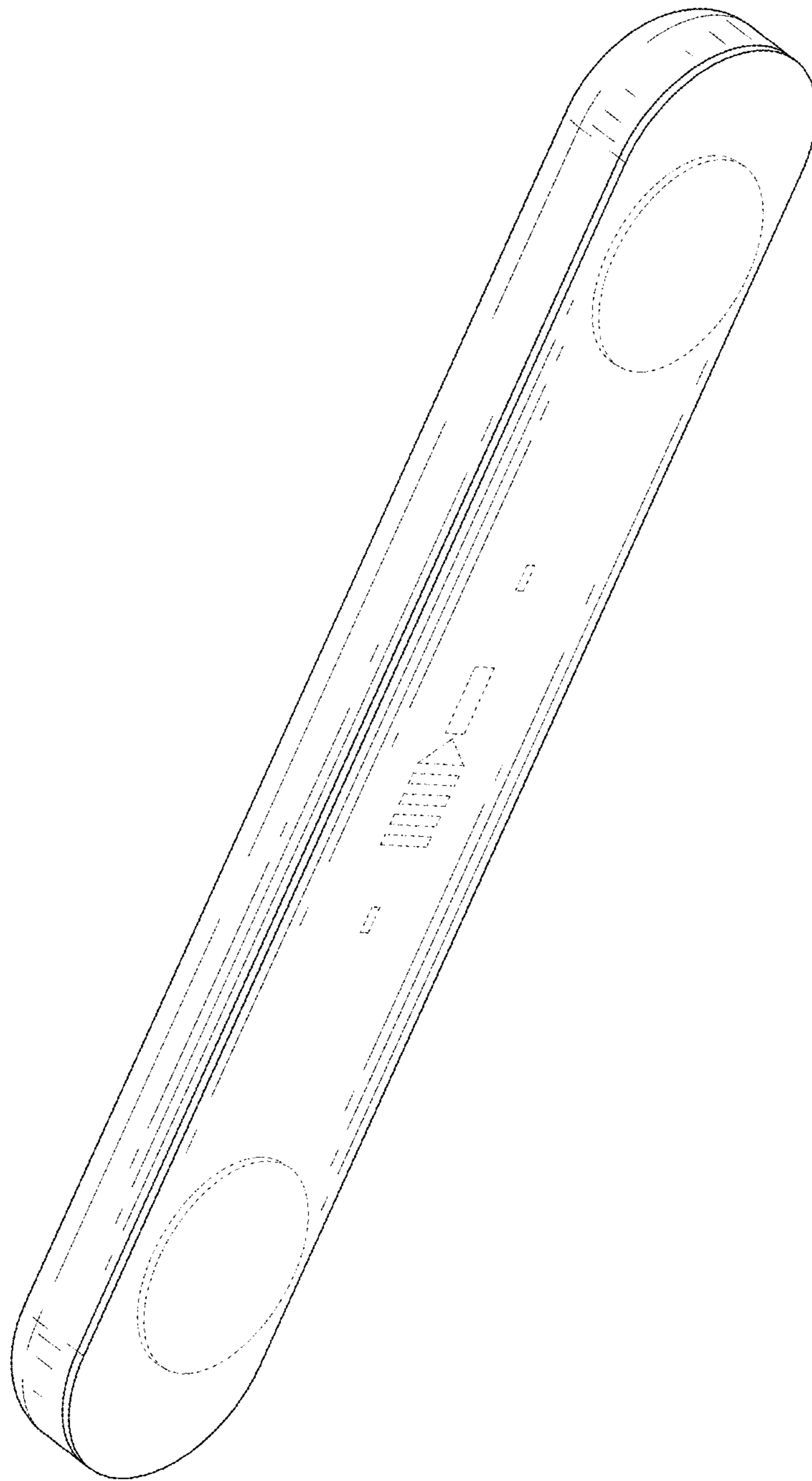


FIG. 2

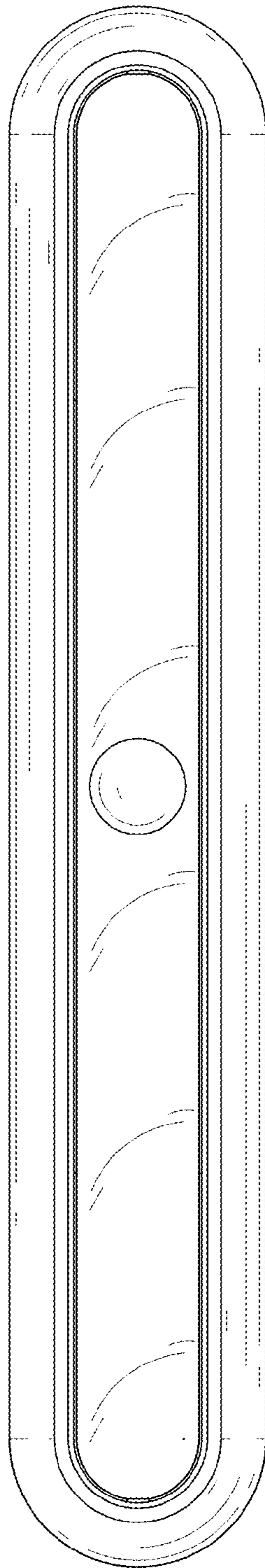


FIG. 3

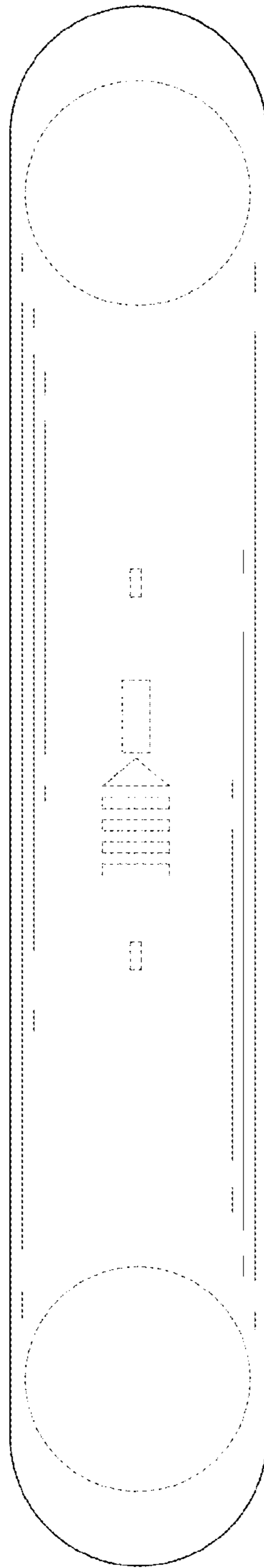


FIG. 4

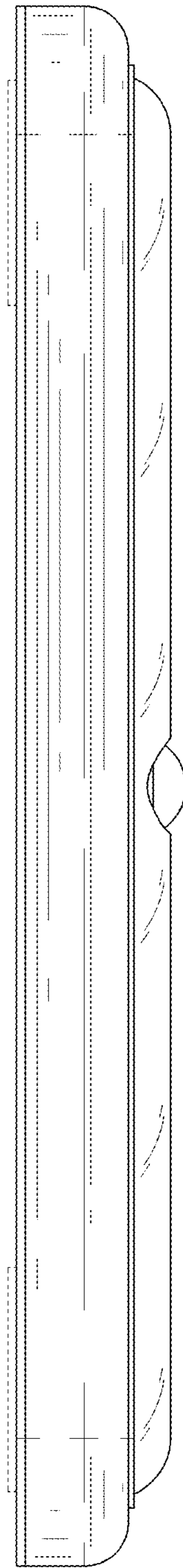


FIG. 5

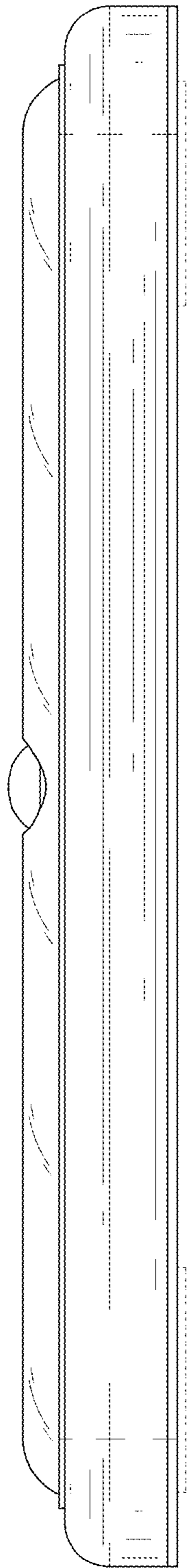


FIG. 6

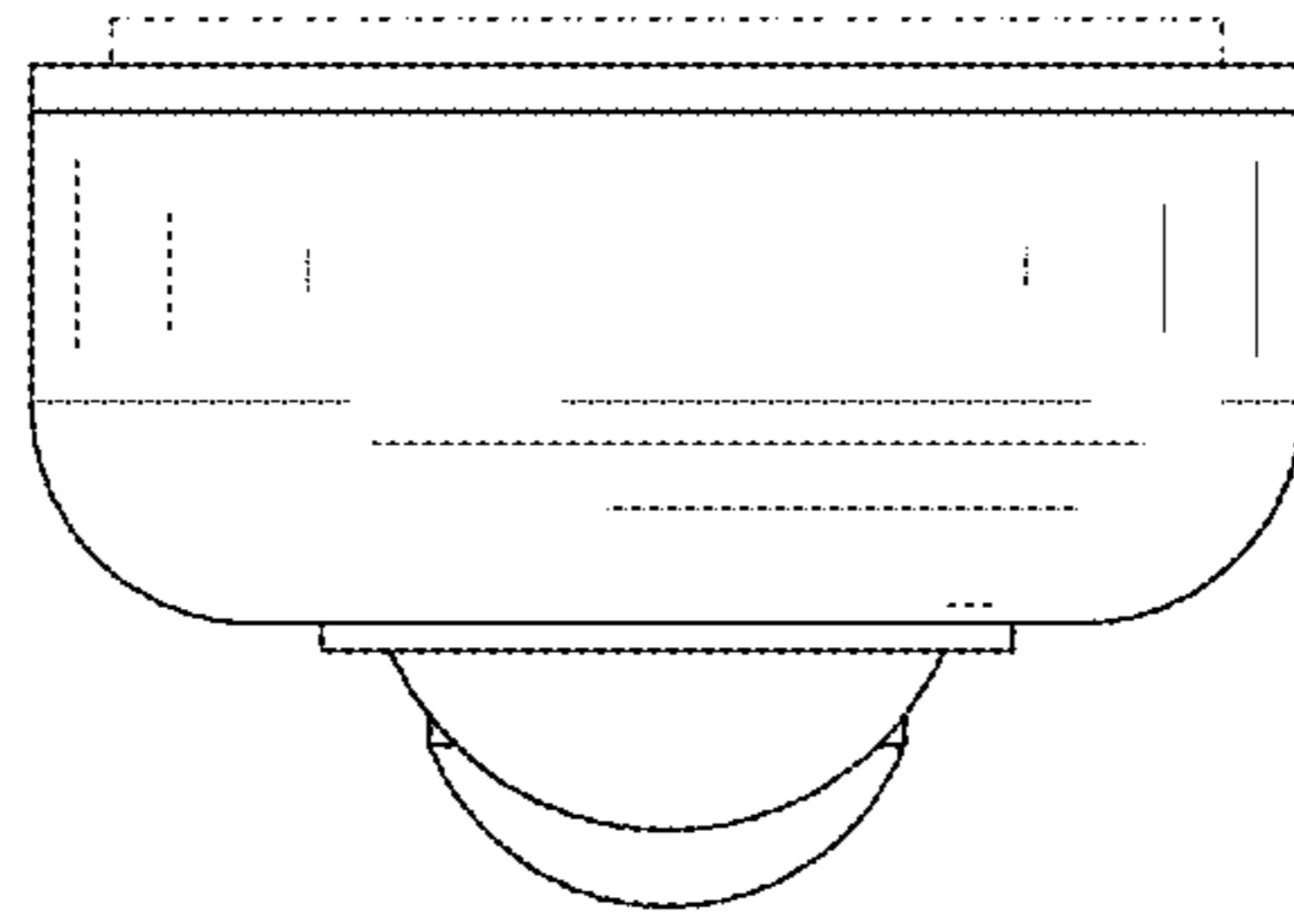


FIG. 7

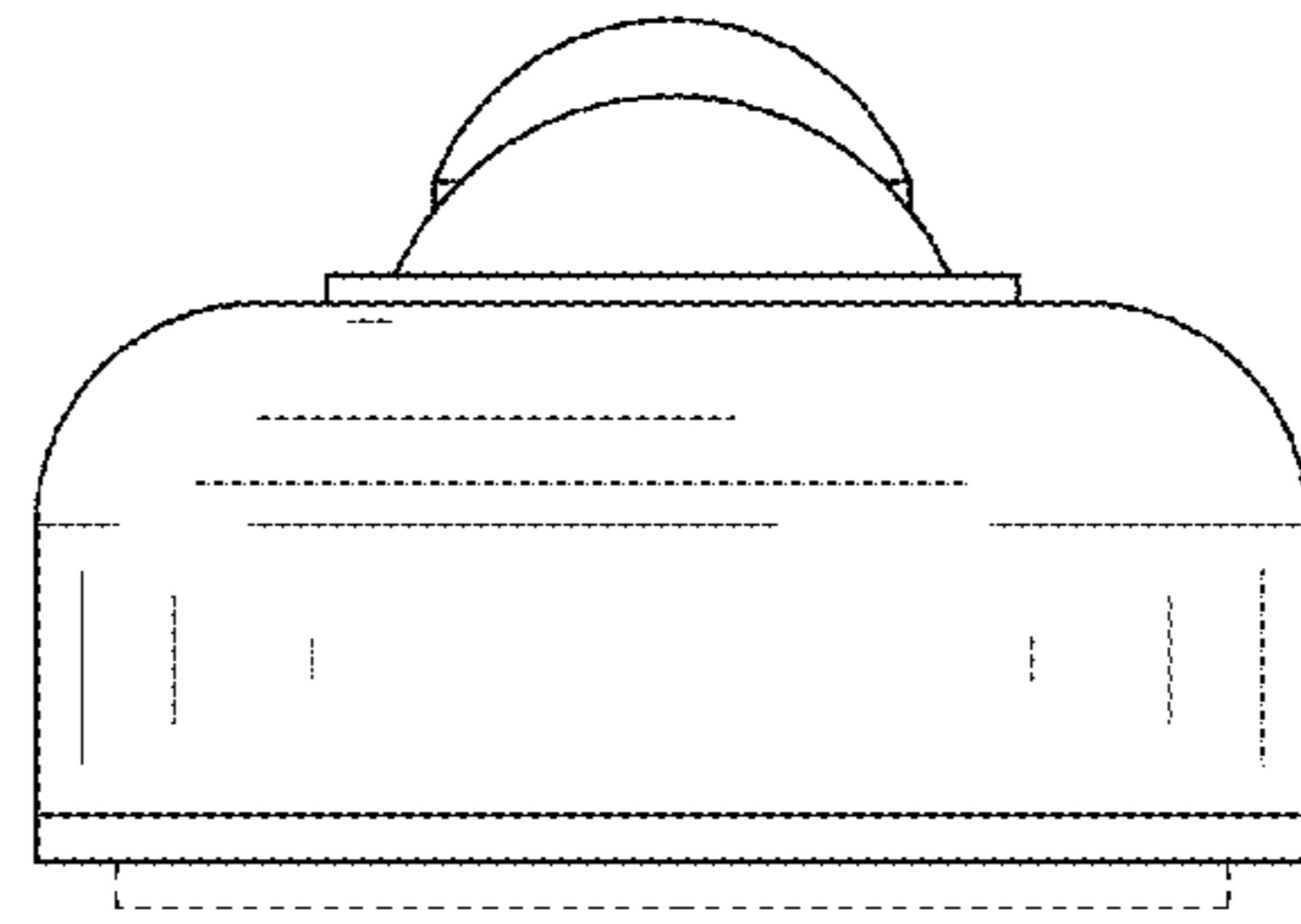


FIG. 8