



US00D963226S

(12) **United States Design Patent**
Kong

(10) **Patent No.:** **US D963,226 S**

(45) **Date of Patent:** **** Sep. 6, 2022**

(54) **SOLAR LAMP**

(71) Applicant: **Lingguo Kong**, Zhongshan (CN)

(72) Inventor: **Lingguo Kong**, Zhongshan (CN)

(73) Assignee: **Zhongshan Xiaolan Town Yaoshuoli Lighting Factory**, Zhongshan (CN)

(**) Term: **15 Years**

(21) Appl. No.: **29/720,350**

(22) Filed: **Jan. 13, 2020**

(51) **LOC (13) Cl.** **26-05**

(52) **U.S. Cl.**
USPC **D26/72; D13/102**

(58) **Field of Classification Search**
USPC D13/102, 101, 103, 107, 108, 184, 199;
D26/63, 67, 68, 71, 72, 85, 93, 102
CPC H01L 31/00; H01L 31/18; H01L 31/042;
H01L 31/045; H01L 31/048; H01L
31/052; H01L 31/054; H01L 31/0475;
H01L 31/0485; H01M 10/052; H01M
10/465; H02S 30/10; H02S 30/20; H02S
10/40; H02S 40/42; Y02E 10/50; Y02E
10/52; Y10S 136/291; Y10S 136/293;
H02J 7/355; G06F 1/1628; F21S 8/006;
F21S 8/081; F21S 8/083; F21S 8/088;
F21V 17/06

See application file for complete search history.

(56) **References Cited**

U.S. PATENT DOCUMENTS

D256,840 S * 9/1980 Katz D13/102
4,275,525 A * 6/1981 Geisler A63H 33/042
136/246

D291,926 S * 9/1987 Schlepp D26/24
D517,006 S * 3/2006 Bessmertny D13/102
D545,758 S * 7/2007 Kuan D13/102
D575,223 S * 8/2008 Piper D13/102
D642,513 S * 8/2011 Chen D13/102
8,820,030 B2 * 9/2014 Sager F24S 25/15
52/173.3
D724,011 S * 3/2015 Keller D13/102
D791,994 S * 7/2017 Liu D10/106.8
D813,439 S * 3/2018 Hou D26/85
D848,049 S * 5/2019 Hu D26/85
D864,459 S * 10/2019 Pan D26/85

* cited by examiner

Primary Examiner — Derrick E Holland

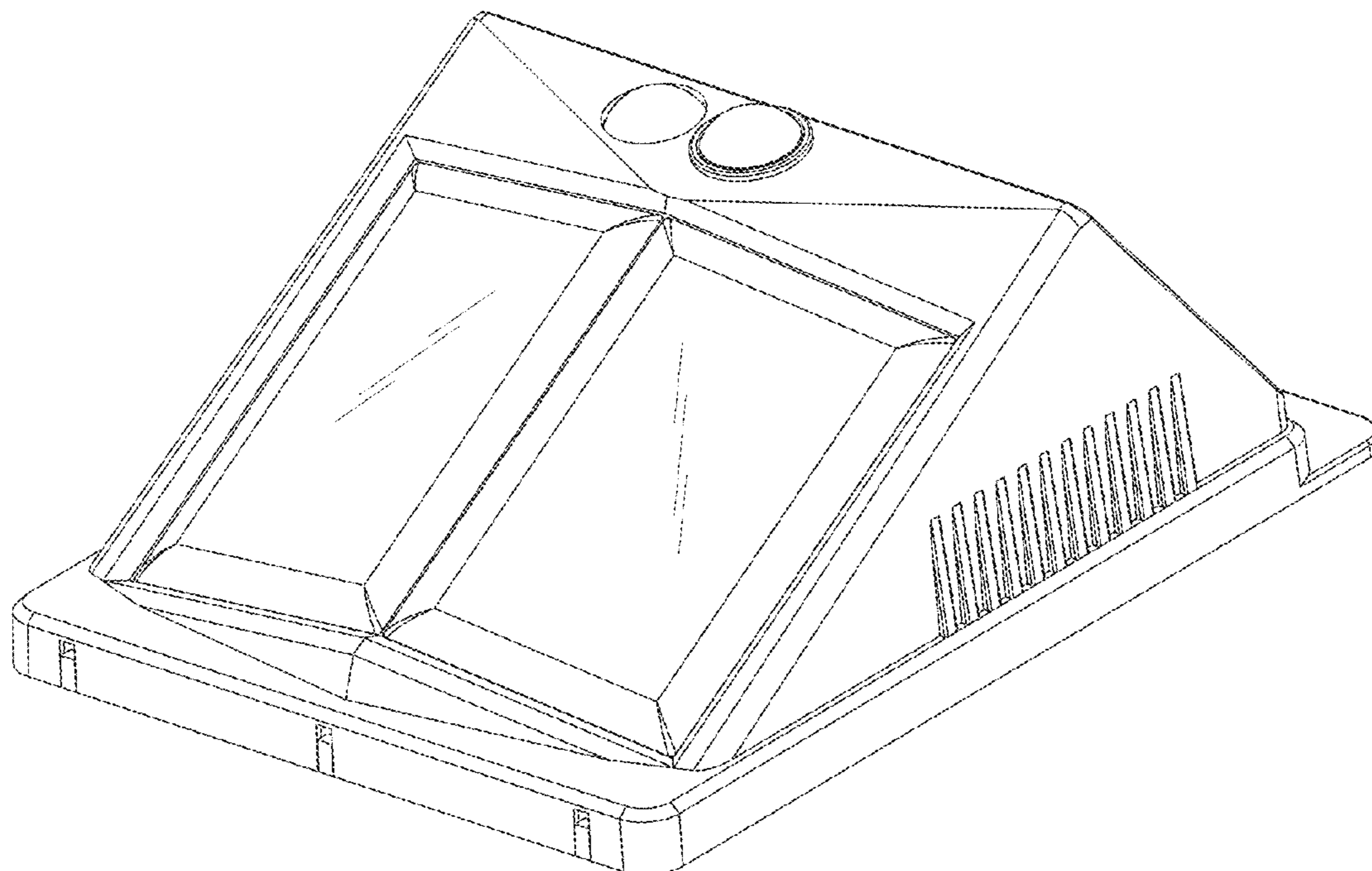
(57) **CLAIM**

The ornamental design for a solar lamp, as shown and described.

DESCRIPTION

FIG. 1 is a front, top perspective view of a solar lamp showing my new design;
FIG. 2 is a rear, bottom perspective view thereof;
FIG. 3 is a top plan view thereof;
FIG. 4 is a bottom plan view thereof;
FIG. 5 is a rear elevational view thereof;
FIG. 6 is a front elevational view thereof;
FIG. 7 is a right side elevational view thereof; and,
FIG. 8 is a left side elevational view thereof.

1 Claim, 8 Drawing Sheets



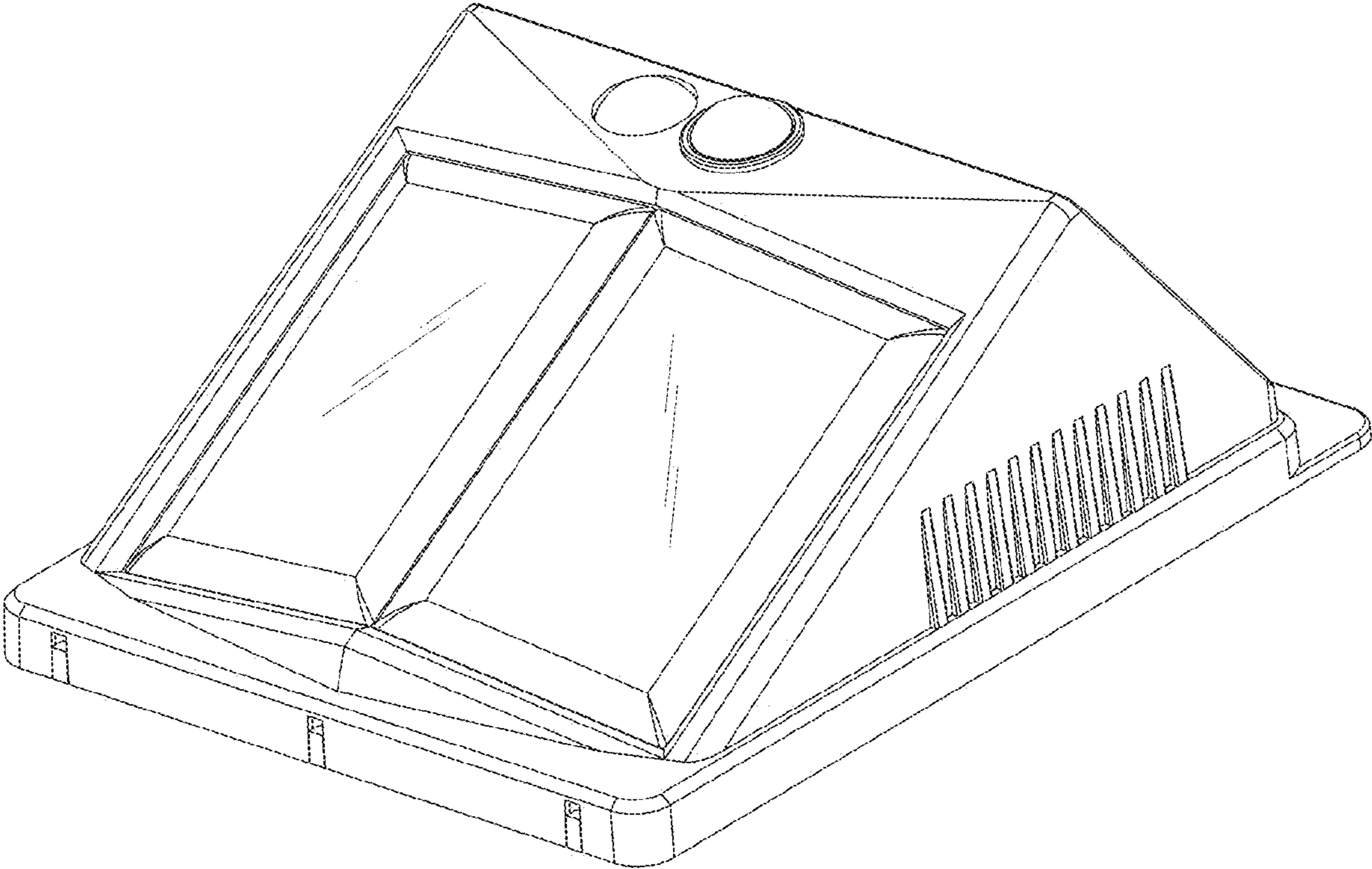


FIG. 1

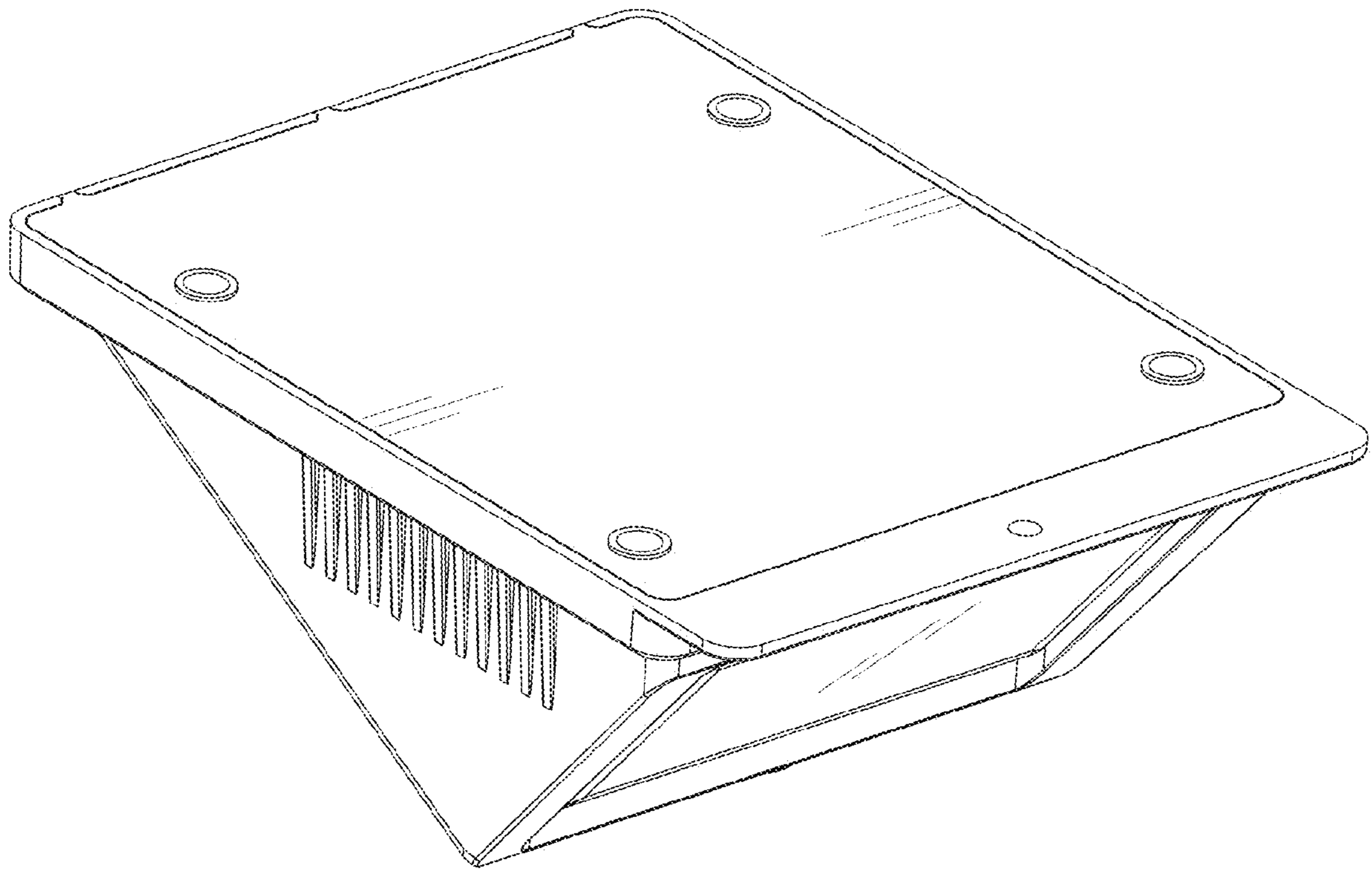


FIG. 2

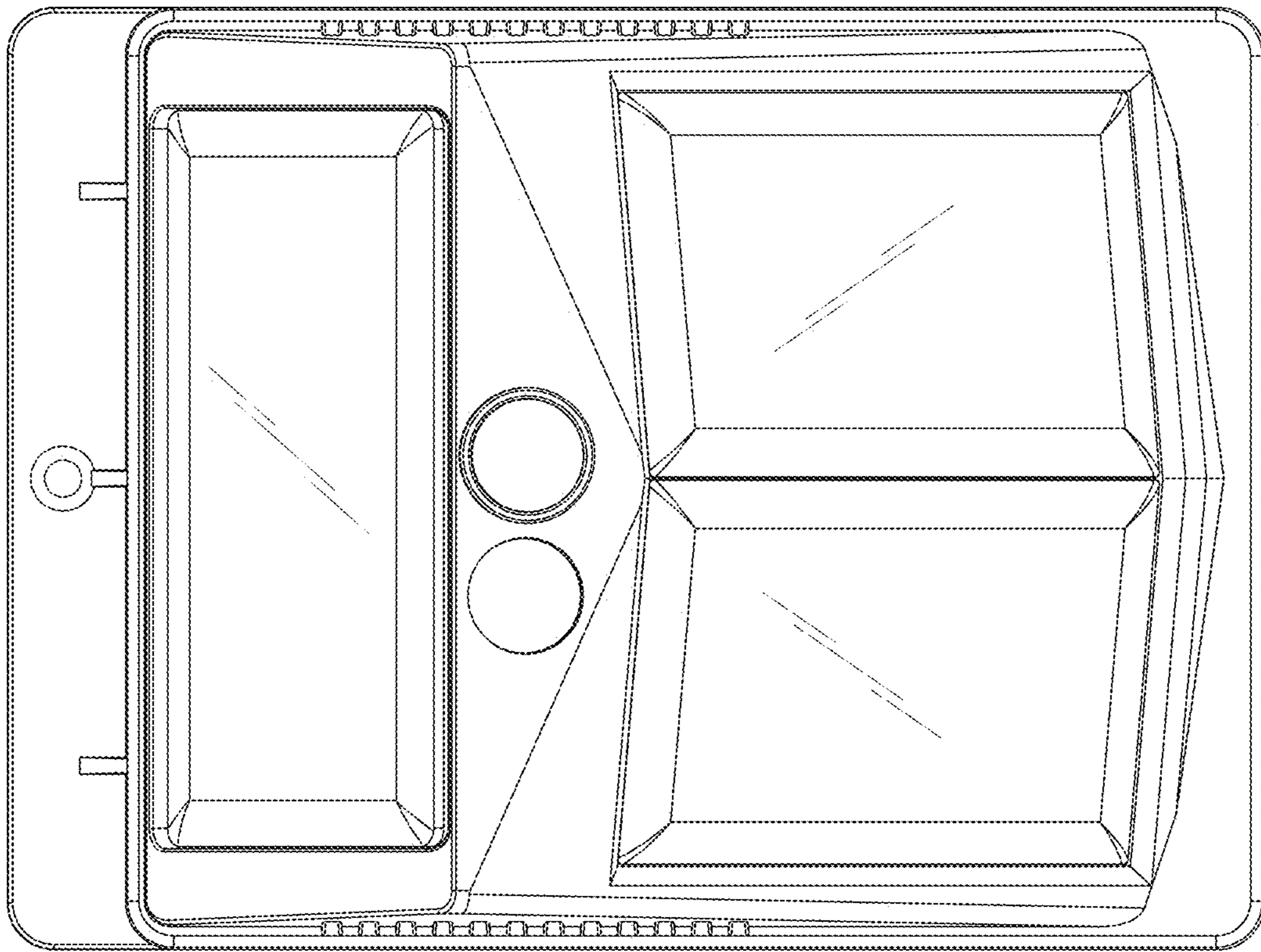


FIG. 3

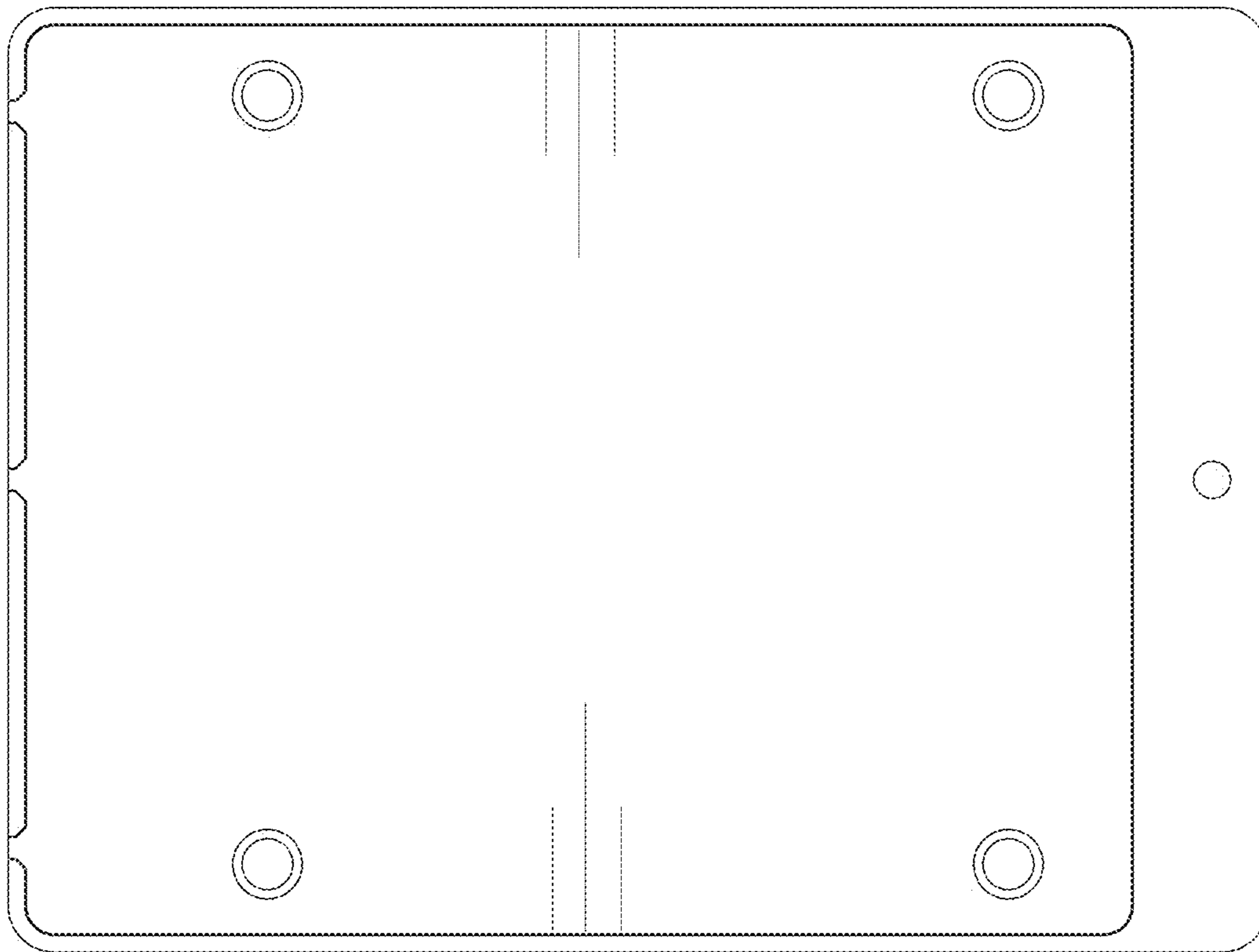


FIG. 4

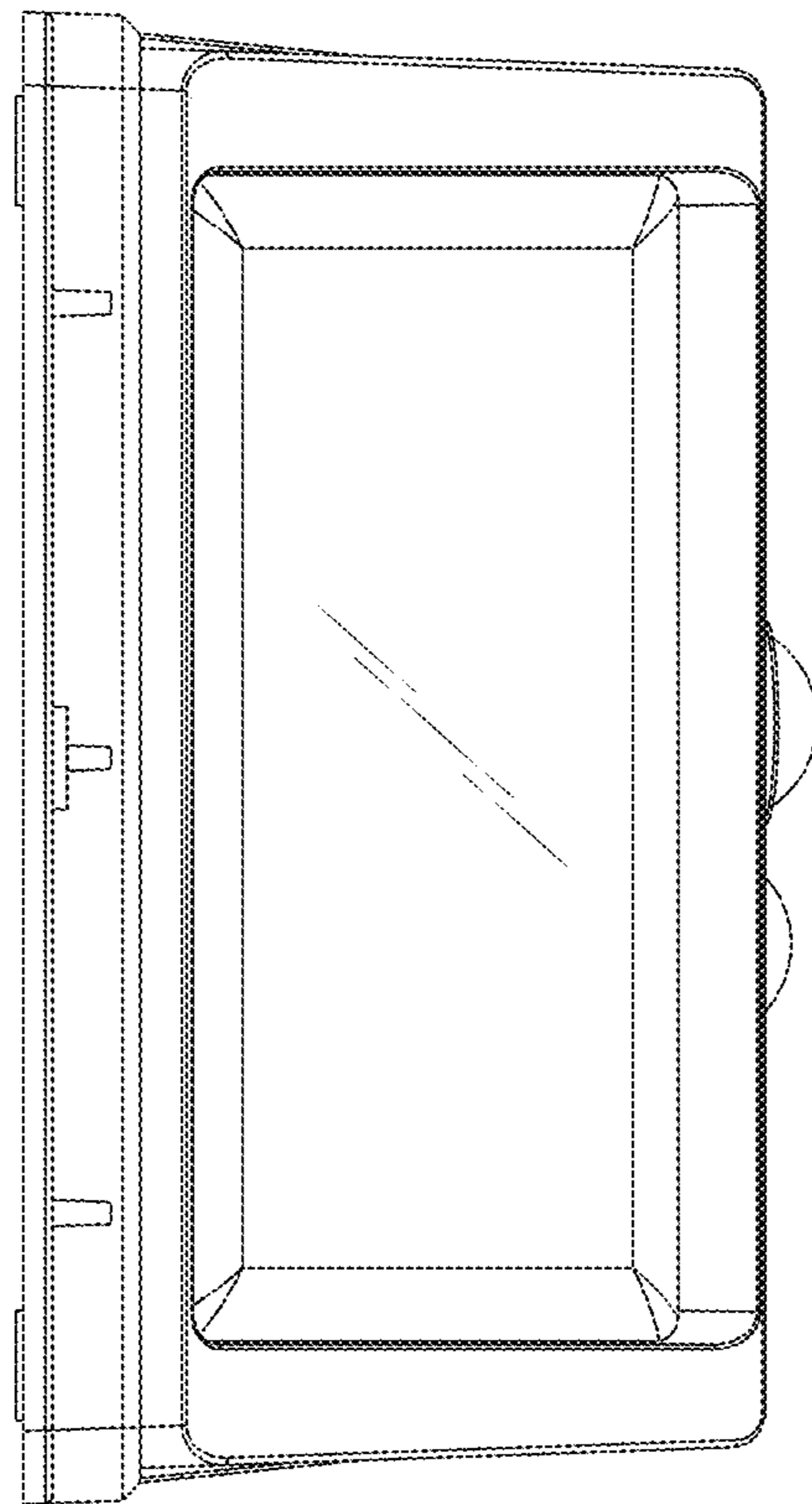


FIG. 5

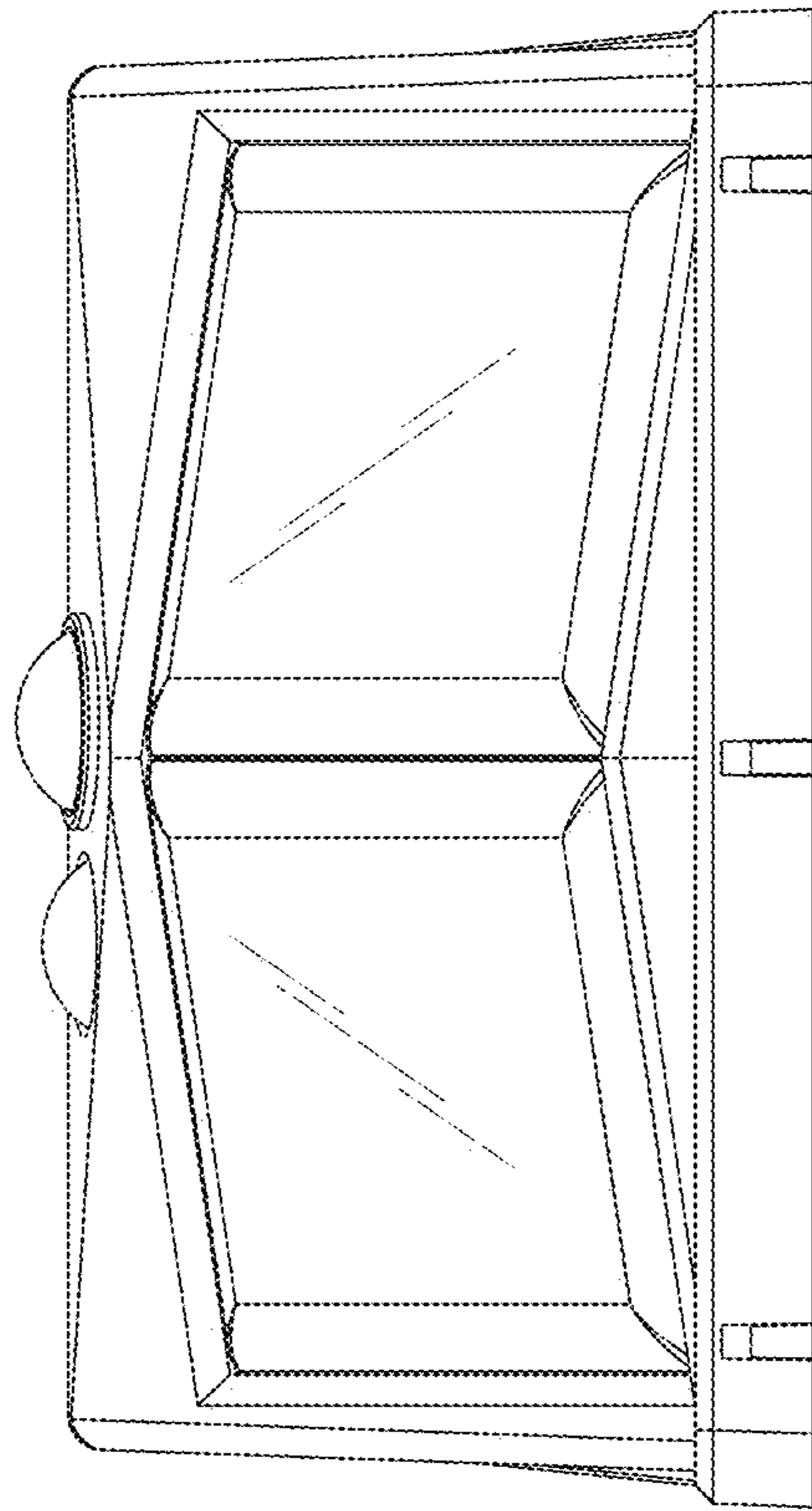


FIG. 6

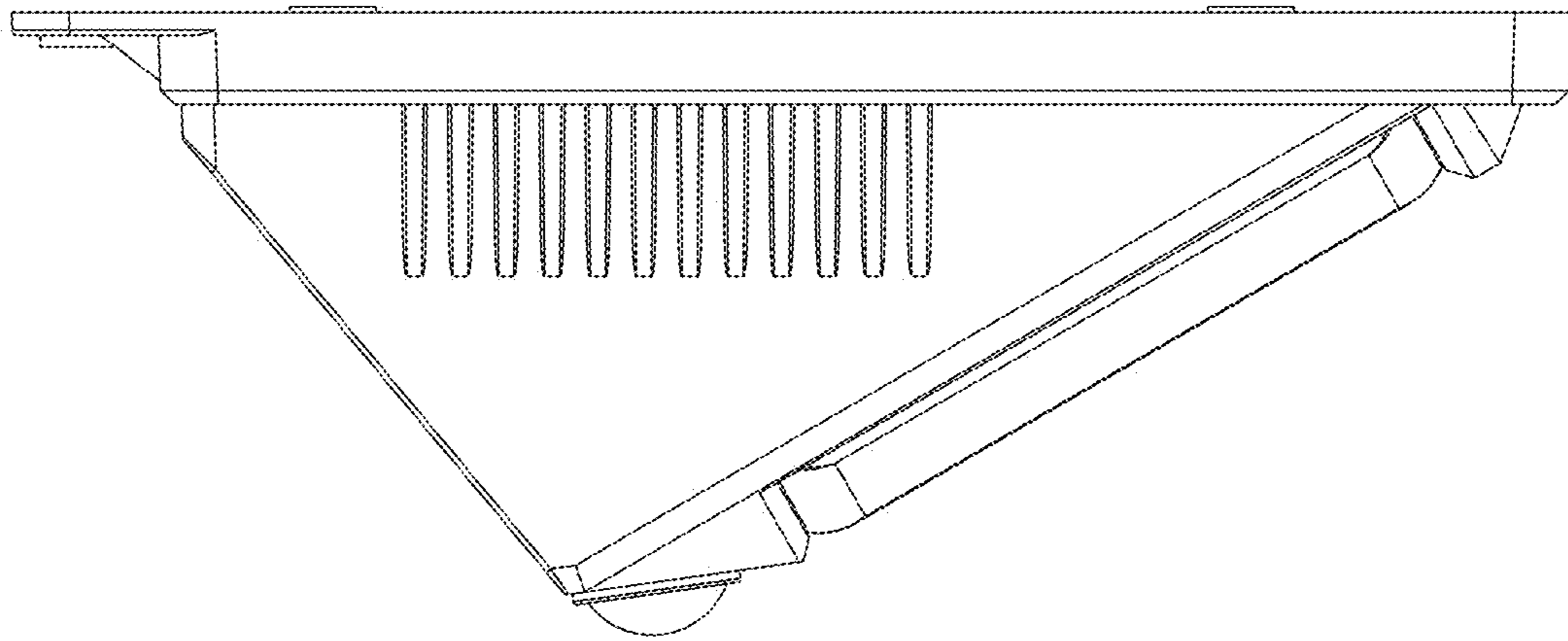


FIG. 7

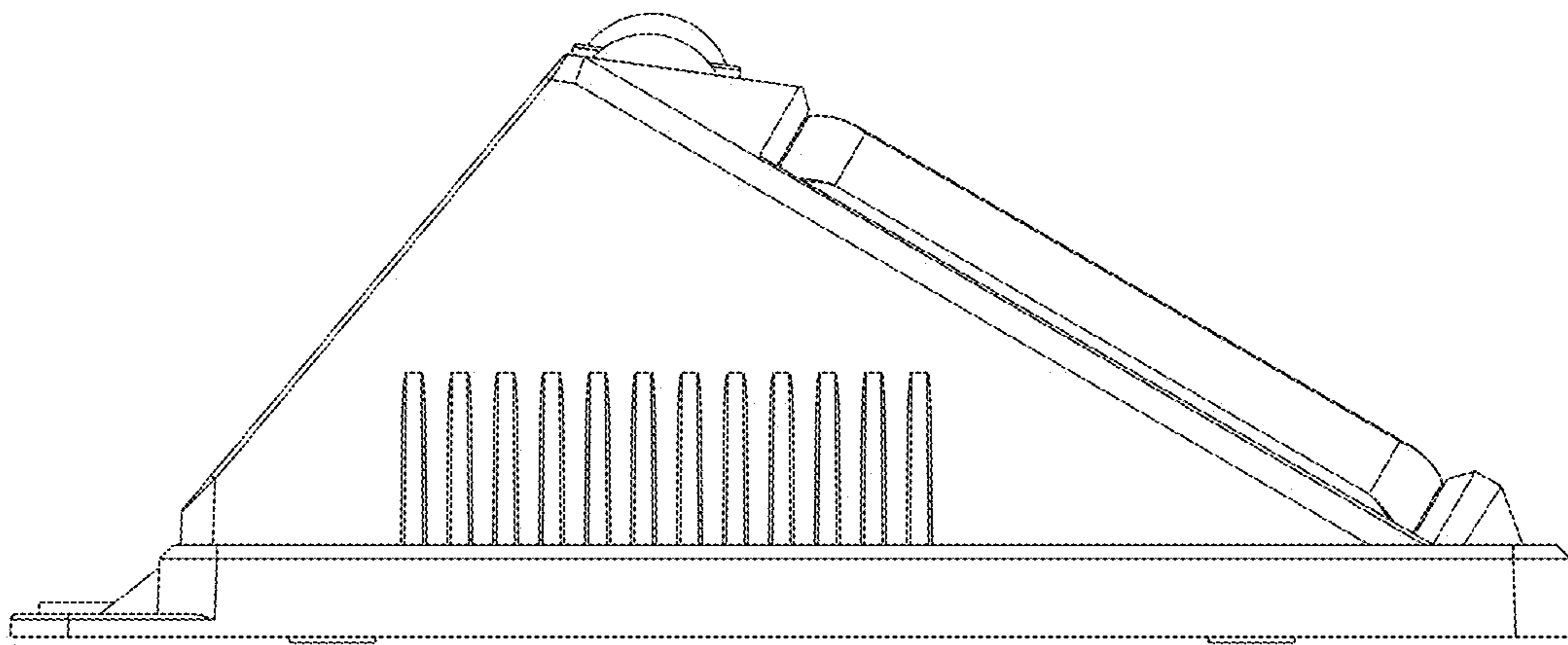


FIG. 8