

US00D963225S

(12) **United States Design Patent** (10) **Patent No.:** **US D963,225 S**
Zhuo (45) **Date of Patent:** **** Sep. 6, 2022**

(54) **SOLAR SPOTLIGHT ASSEMBLY**

FOREIGN PATENT DOCUMENTS

(71) Applicant: **ZHONGSHAN YINGHAO SOLAR TECHNOLOGY CO., LTD,**
Zhongshan (CN)

CN 305681116 * 4/2020
CN 305889976 * 6/2020
CN 306014028 * 8/2020

(72) Inventor: **Qiang Zhuo,** Zhongshan (CN)

OTHER PUBLICATIONS

(73) Assignee: **ZHONGSHAN YINGHAO SOLAR TECHNOLOGY CO., LTD,**
Zhongshan (CN)

“YINGHAO” reference by YINGHAO Solar on Amazon.com, date first available Sep. 2, 2020 [online], site visited May 4, 2022, available from internet URL: <https://www.amazon.com/YINGHAO-Waterproof-Wireless-Landscape-Spotlights/dp/B08H8LL662?th=1> (Year: 2020).*

(**) Term: **15 Years**

(Continued)

(21) Appl. No.: **29/820,307**

Primary Examiner — Marissa J Cash

(22) Filed: **Dec. 21, 2021**

Assistant Examiner — Liv C Anderson

(30) **Foreign Application Priority Data**

(74) *Attorney, Agent, or Firm* — Wayne IP LLC

Nov. 22, 2021 (CN) 202130767437.9

(51) **LOC (13) Cl.** **26-03**

(57) **CLAIM**

(52) **U.S. Cl.**
USPC **D26/67; D26/63**

The ornamental design for a solar spotlight assembly, as shown and described.

(58) **Field of Classification Search**
USPC ... D26/1, 24, 35, 44, 61, 63, 65, 66, 72, 80,
D26/60, 76, 81, 83, 84, 93
CPC F21S 8/00; F21S 8/003; F21S 8/033; F21S
9/03; F21S 9/037; F21V 23/0471; F21V
21/26; F21V 21/30; F21W 2131/10;
F21W 2131/107

DESCRIPTION

See application file for complete search history.

FIG. 1 is a perspective view of a solar spotlight assembly showing our new design;
FIG. 2 is a perspective view thereof, shown in an alternate configuration of use;
FIG. 3 is a front view of a solar spotlight assembly as shown in FIG. 1;
FIG. 4 is a back view thereof;
FIG. 5 is a left view thereof;
FIG. 6 is a right view thereof;
FIG. 7 is an enlarged top view thereof; and,
FIG. 8 is an enlarged bottom view thereof.
The broken lines shown on the drawings depict portions of the solar spotlight assembly that form no part of the claimed design.

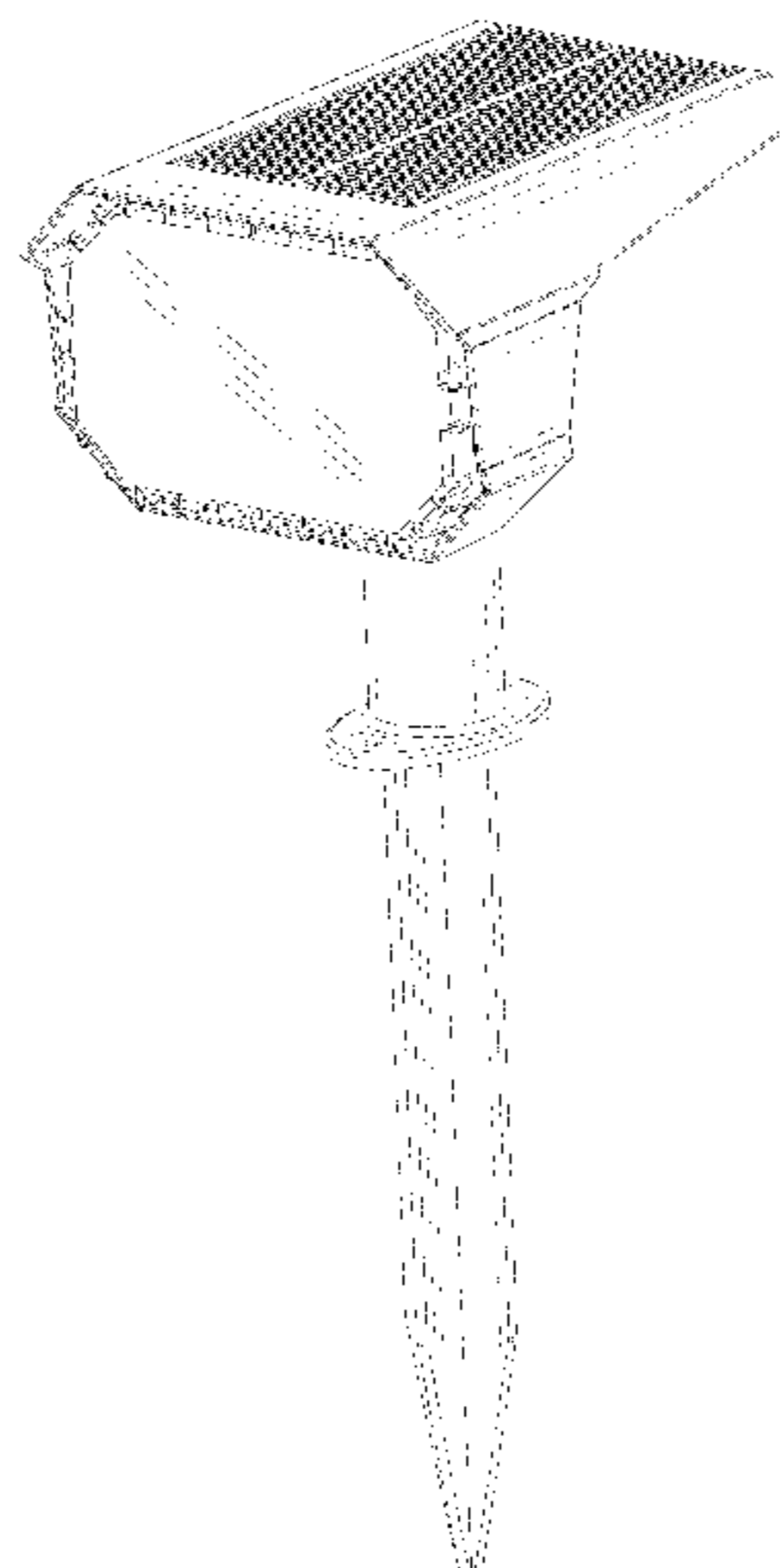
(56) **References Cited**

U.S. PATENT DOCUMENTS

D550,877 S * 9/2007 Mullen D26/68
D551,789 S * 9/2007 Mullen D26/68
D810,342 S * 2/2018 Chen D26/68
D839,472 S * 1/2019 Hu D26/118
D867,644 S * 11/2019 Luo D26/68
D875,289 S * 2/2020 Hu D26/63
D887,059 S * 6/2020 Liu D26/63
D903,921 S * 12/2020 Zhuo D26/63

(Continued)

1 Claim, 8 Drawing Sheets



(56)

References Cited

U.S. PATENT DOCUMENTS

D905,312 S	*	12/2020	Zhuo	D26/63
D921,261 S	*	6/2021	Qiu	D26/67
D922,646 S	*	6/2021	Huang	D26/63
D923,225 S	*	6/2021	Hu	D26/63
D923,226 S	*	6/2021	Hu	D26/63
D923,845 S	*	6/2021	Kong	D26/63
D925,084 S	*	7/2021	Chen	D26/63
D925,100 S	*	7/2021	Hui	D26/68
D930,225 S	*	9/2021	Jiang	D26/68
D930,889 S	*	9/2021	Liu	D26/68
D934,478 S	*	10/2021	Hu	D26/63
D936,887 S	*	11/2021	Yan	D26/68
D945,670 S	*	3/2022	Wu	D26/63

OTHER PUBLICATIONS

“LEREKAM” reference by LEREKAM on Amazon.com, date first available Mar. 1, 2019 [online], site visited May 4, 2022, available from internet URL: <https://www.amazon.com/LEREKAM-Outdoor-Waterproof-Landscape-Spotlights/dp/B08ZY9PQRS> (Year: 2019).*

“Unkind” reference by Linkind-us on Amazon.com, date first available Dec. 17, 2019 [online], site visited May 4, 2022, available from internet URL: <https://www.amazon.com/Linkind-Landscape-Spotlights-Waterproof-Daylight/dp/B082V4PQ6> (Year: 2019).*

“Hamenlo” reference by Hamenlo-US on Amazon.com, date first available Dec. 1, 2021 [online], site visited May 4, 2022, available from internet URL: <https://www.amazon.com/Hamenlo-Lights-Outdoor-Spotlights-Pack/dp/B09MTG3GP6/> (Year: 2021).*

* cited by examiner

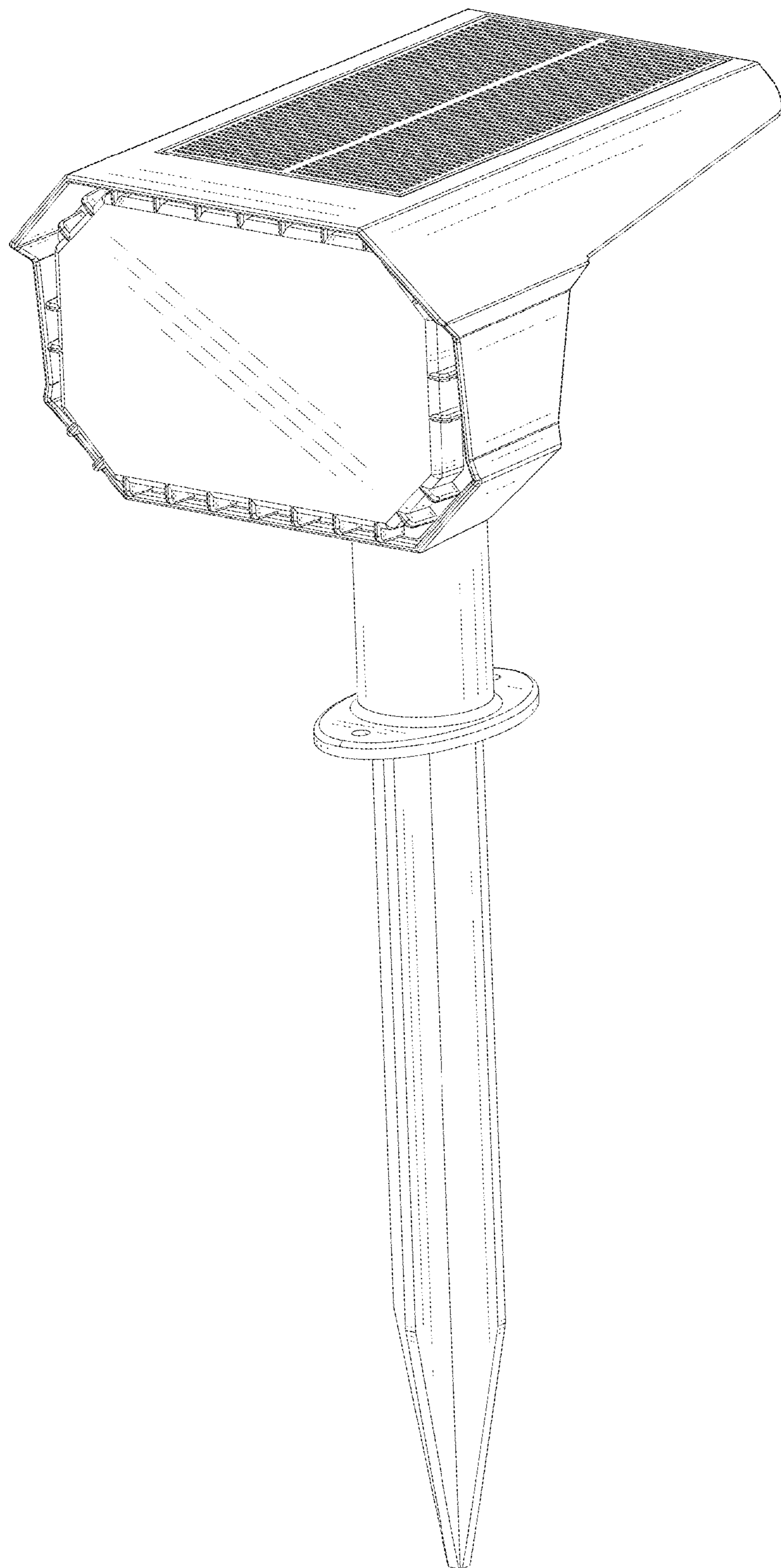


FIG. 1

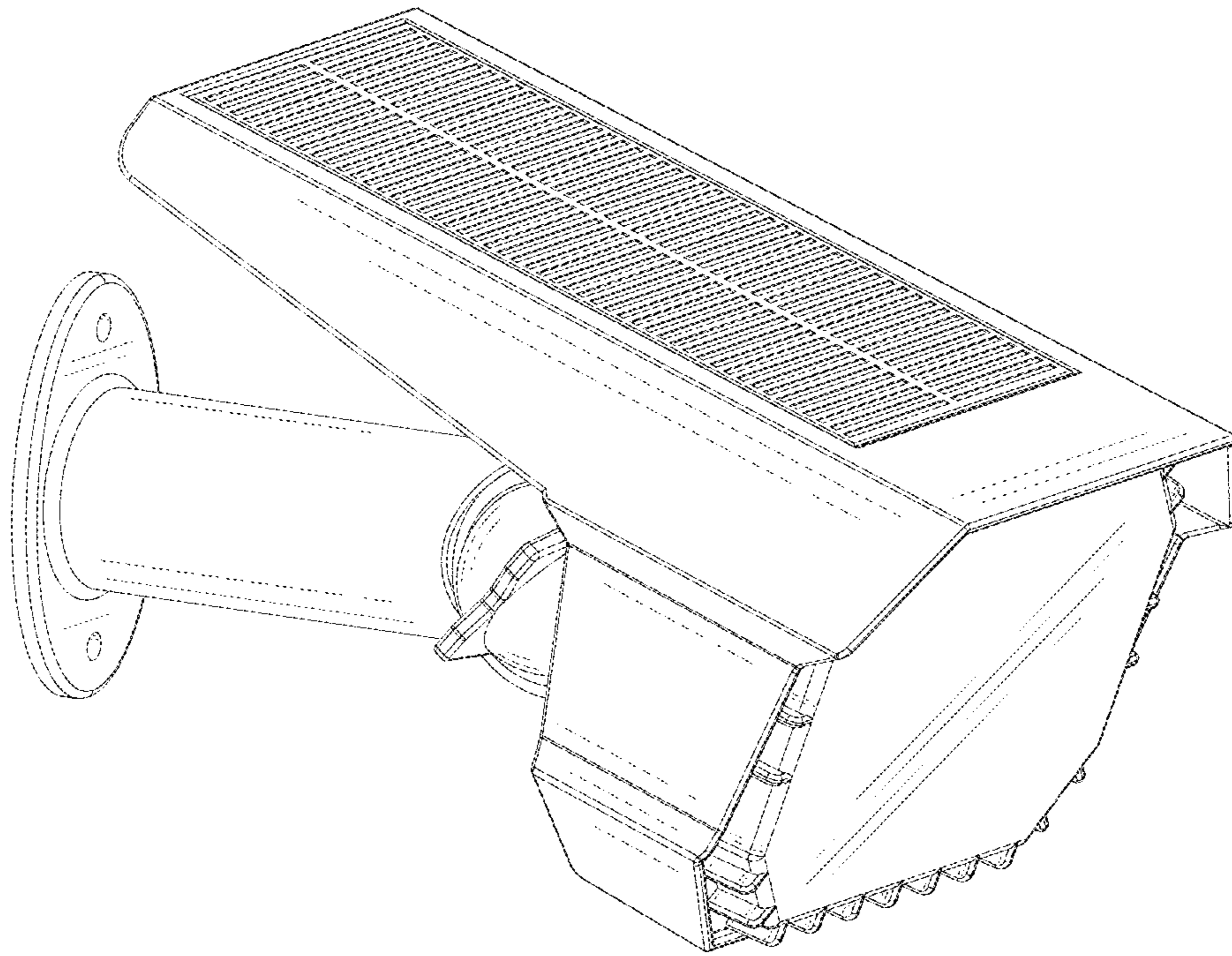


FIG. 2

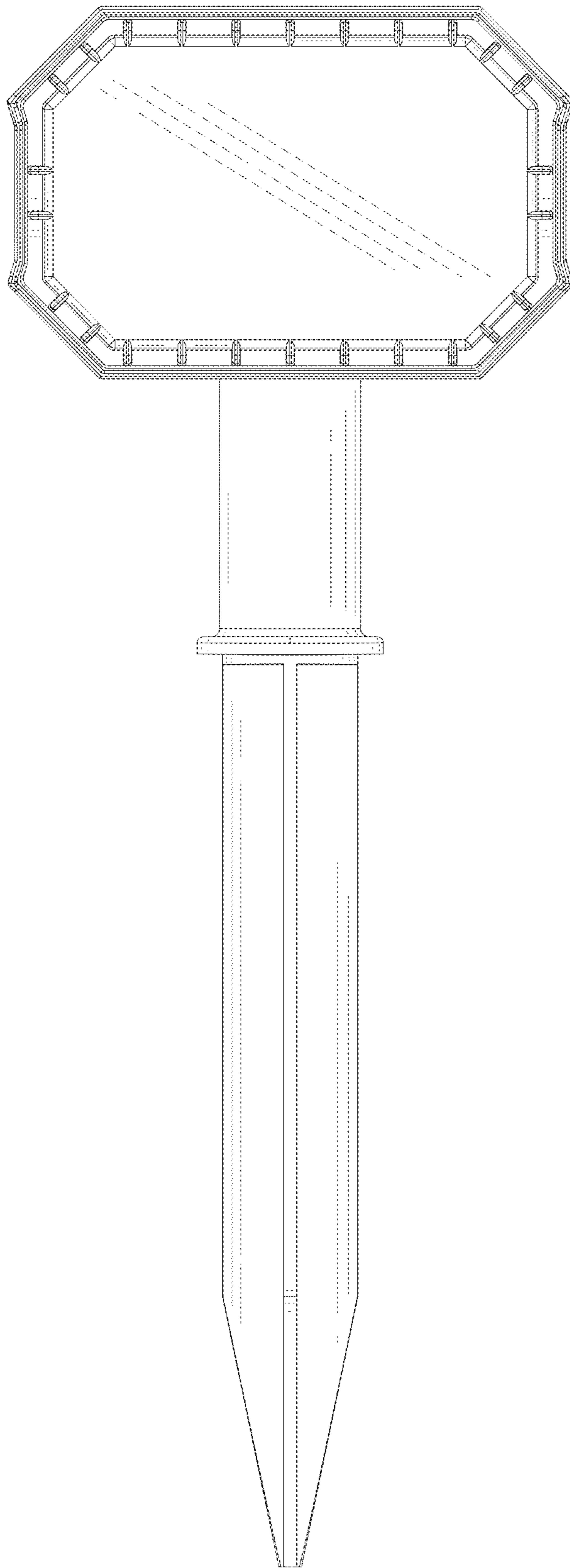


FIG. 3

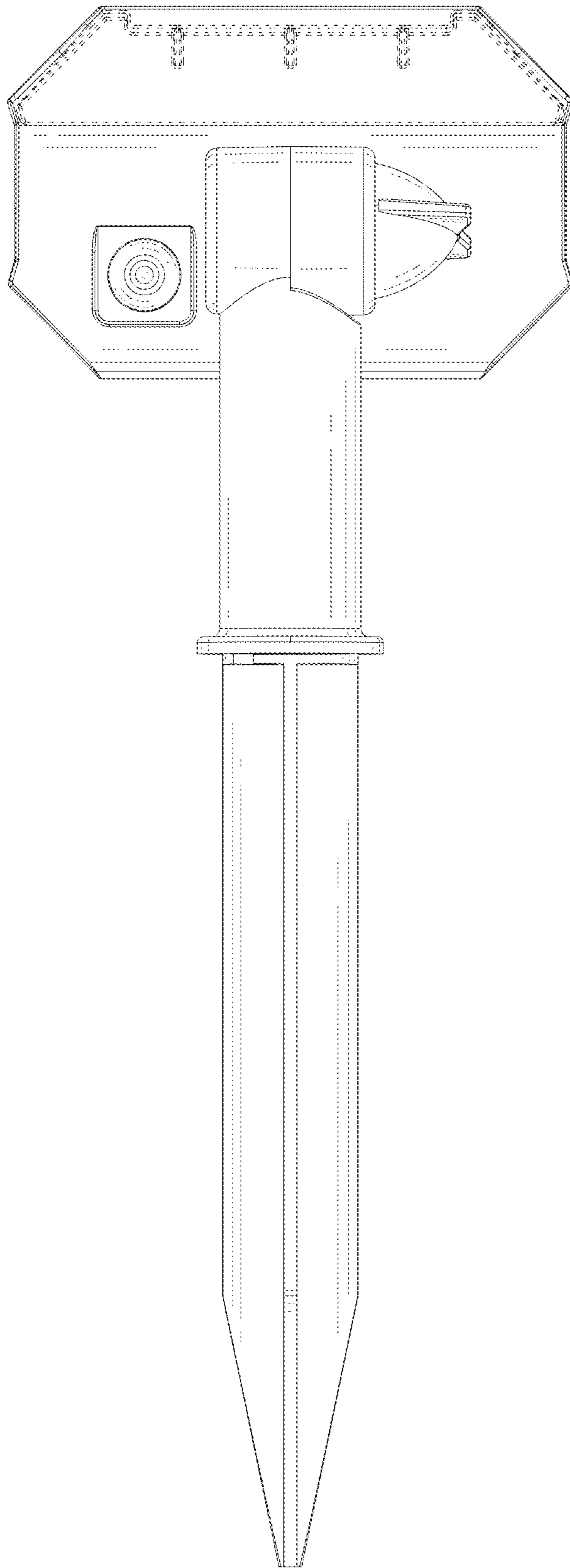


FIG. 4

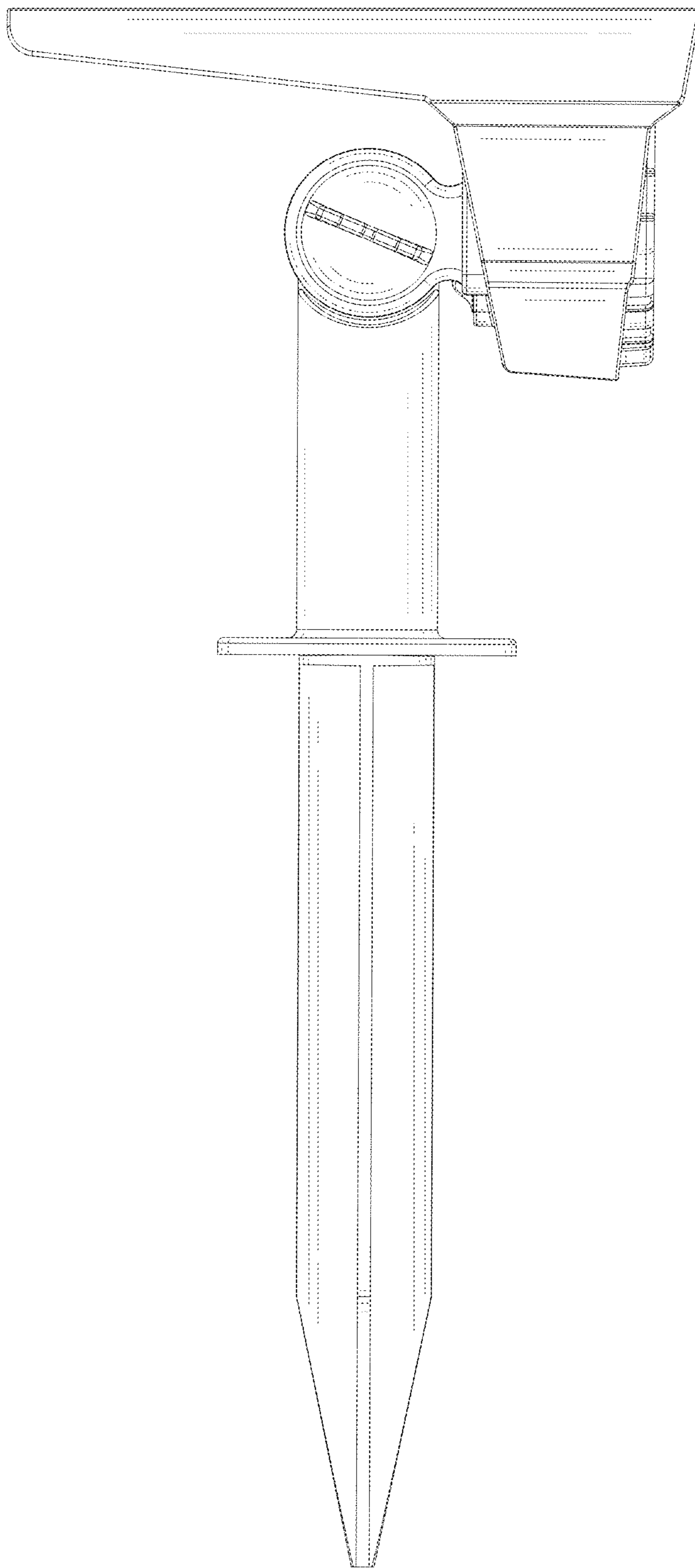


FIG. 5

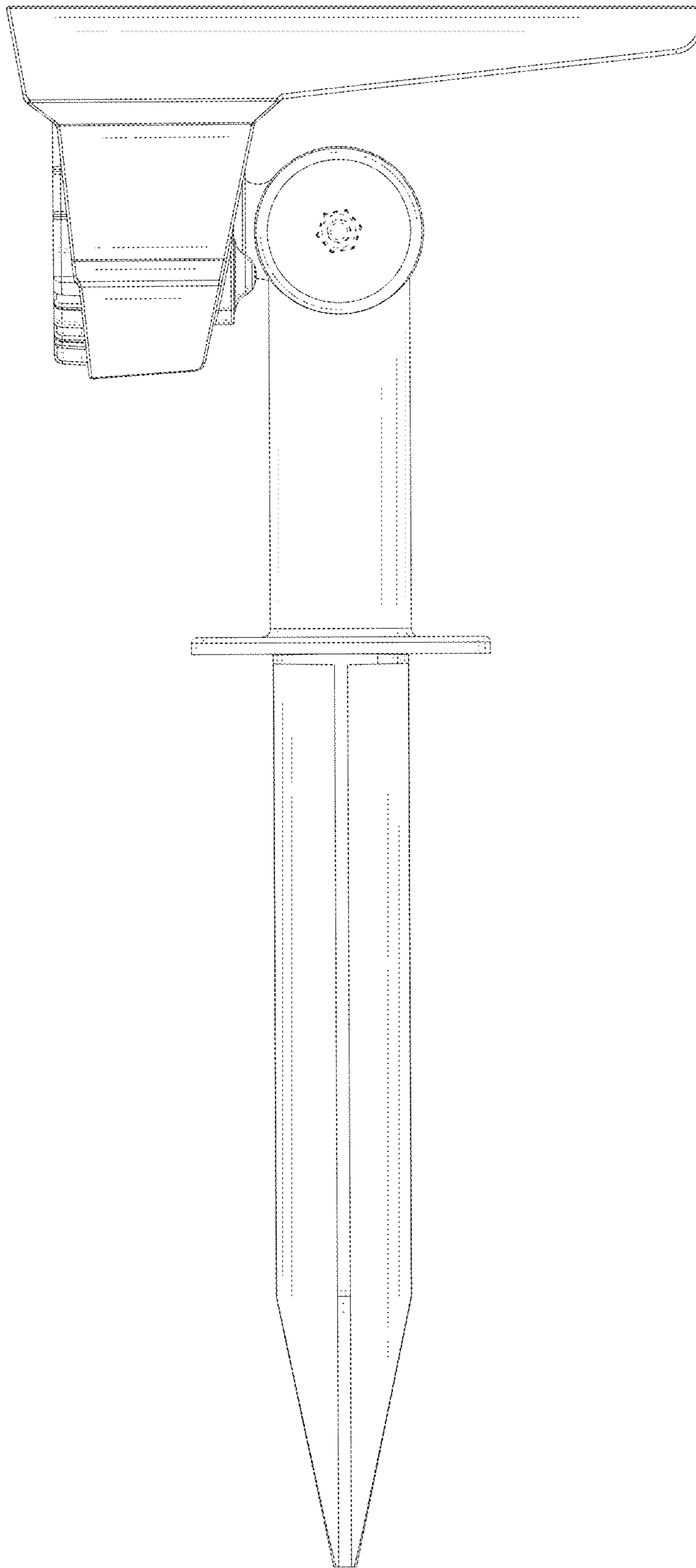


FIG. 6

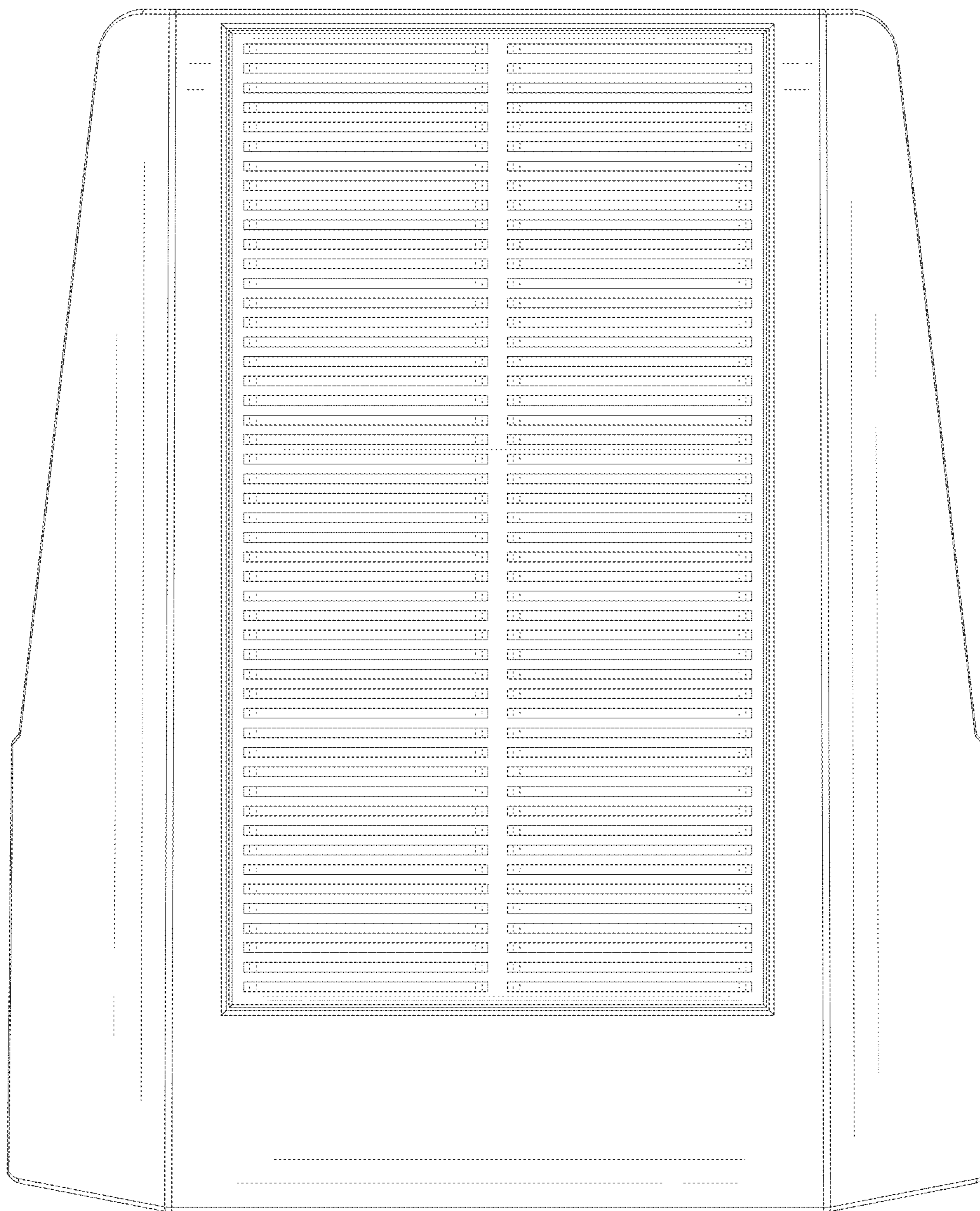


FIG. 7

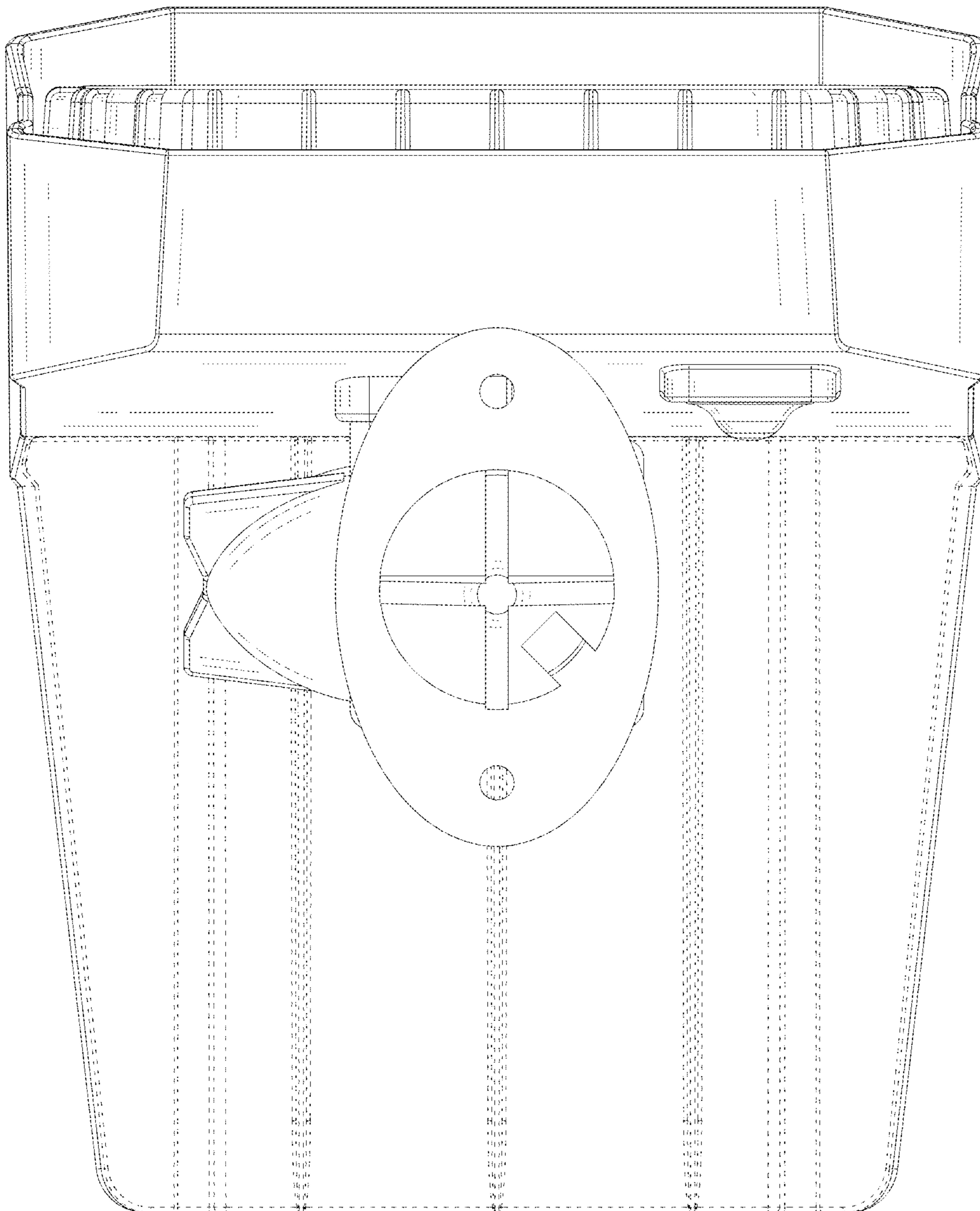


FIG. 8