



US00D963224S

(12) **United States Design Patent** (10) **Patent No.:** **US D963,224 S**
Wu (45) **Date of Patent:** **** Sep. 6, 2022**

(54) **SOLAR LAWN LAMP**

FOREIGN PATENT DOCUMENTS

(71) Applicant: **SHENZHEN BSV SOLAR ENERGY CO., LTD**, Shenzhen (CN)

GB RGN_9007232137- * 11/2019
0001

(72) Inventor: **Huiqiang Wu**, Shenzhen (CN)

OTHER PUBLICATIONS

(**) Term: **15 Years**

Solar_Landscape_Spot_Lights (available online) Retrieved from the internet Apr. 29, 2022 from URL: <https://www.amazon.com/Landscape-Sooreally-Spotlights-Waterproof-Lighting/dp/B09RPKL2RQ?th=1>.*

(21) Appl. No.: **29/713,142**

Biling_Solar_Spotlights (available online) Retrieved from the internet Apr. 29, 2022 from URL: https://www.amazon.com/dp/B08L3KKLHY/ref=sspa_dk_detail_7?pd_rd_i=B08L3KKLHY&pd_rd_w=kawGI&pf_rd_p=57cbdc41-b731-4e3d-aca7-49078b13a07b&pd_rd_wg=iSZ44&pf_rd_r=B4RKKF7MM2GMTDZBJTKB&pd_rd_r=105788e2-e27e-4efa-a9f7-1fb4e8ced29f.*

(22) Filed: **Nov. 14, 2019**

(51) **LOC (13) Cl.** **26-05**

(52) **U.S. Cl.**
USPC **D26/67; D26/63**

(58) **Field of Classification Search**
USPC D26/24, 60, 61, 63, 65, 67, 68, 69, 72, D26/76, 80-82, 86, 90, 93, 102, 106-108, D26/131
CPC F21S 6/00; F21S 6/002; F21S 6/003; F21S 6/004; F21S 6/005; F21S 6/006; F21S 6/008; F21S 9/00; F21S 9/03; F21S 9/037; F21S 8/081; F21S 8/088; F21W 2131/109

* cited by examiner

Primary Examiner — Richard Kearney

(57) **CLAIM**

The ornamental design for a solar lawn lamp, as shown and described.

See application file for complete search history.

DESCRIPTION

FIG. 1 is a first perspective view of a solar lawn lamp showing my new design;
FIG. 2 is a second perspective view thereof;
FIG. 3 is a front view thereof;
FIG. 4 is a back view thereof;
FIG. 5 is a left side view thereof;
FIG. 6 is a right side view thereof;
FIG. 7 is a top view thereof; and,
FIG. 8 is a bottom view thereof.

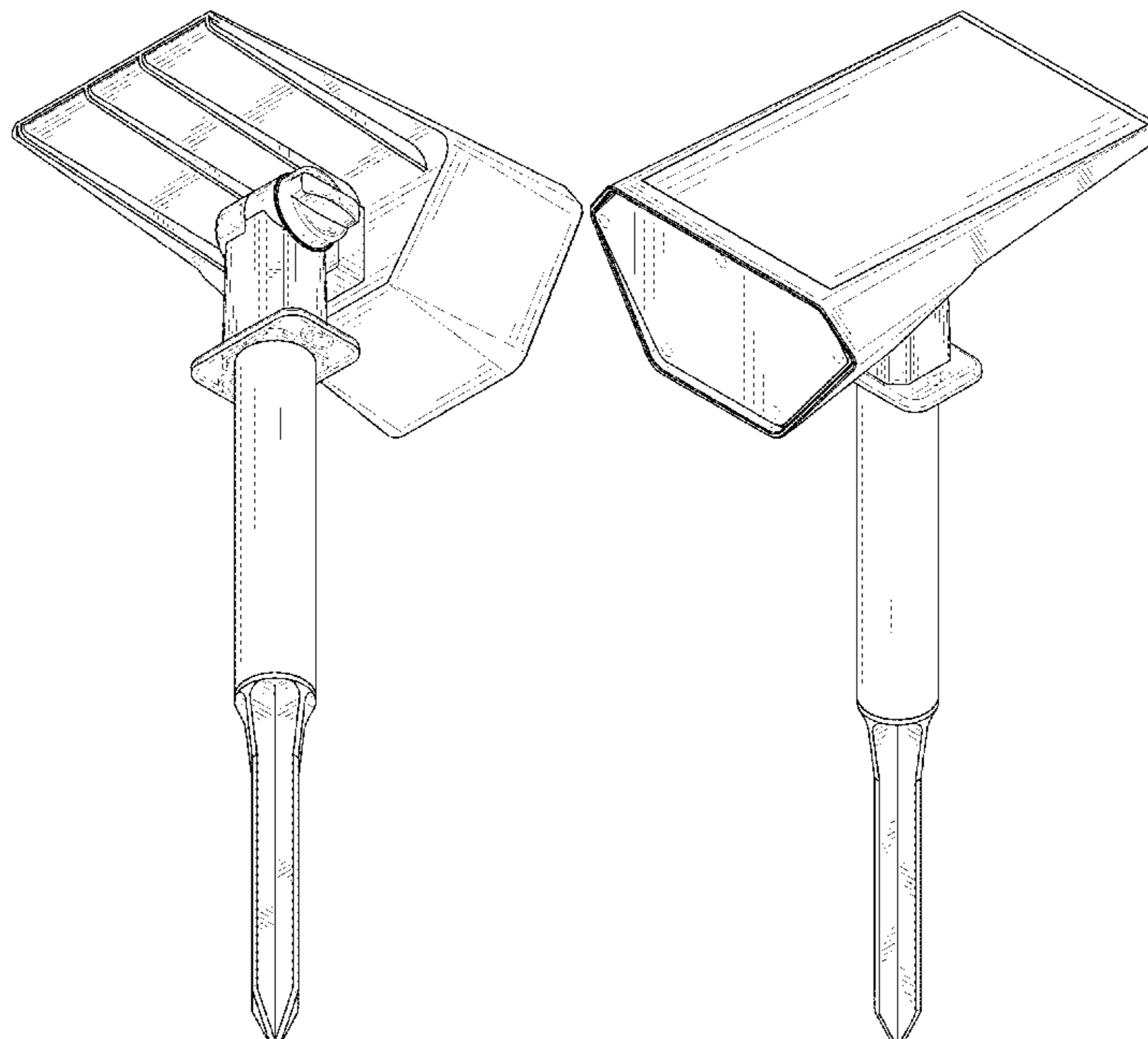
The broken lines shown in the drawings depict portions of the solar lawn lamp in which the design is embodied that form no part of the claimed design.

(56) **References Cited**

U.S. PATENT DOCUMENTS

| | | | | | |
|------------|---|---------|-------|-------|---------|
| D839,472 S | * | 1/2019 | Hu | | D26/118 |
| D903,921 S | * | 12/2020 | Zhuo | | D26/63 |
| D922,646 S | * | 6/2021 | Huang | | D26/63 |
| D923,226 S | * | 6/2021 | Hu | | D26/63 |
| D925,084 S | * | 7/2021 | Chen | | D26/63 |
| D925,100 S | * | 7/2021 | Hui | | D26/68 |
| D930,225 S | * | 9/2021 | Jiang | | D26/68 |
| D944,434 S | * | 2/2022 | Li | | D26/63 |

1 Claim, 8 Drawing Sheets



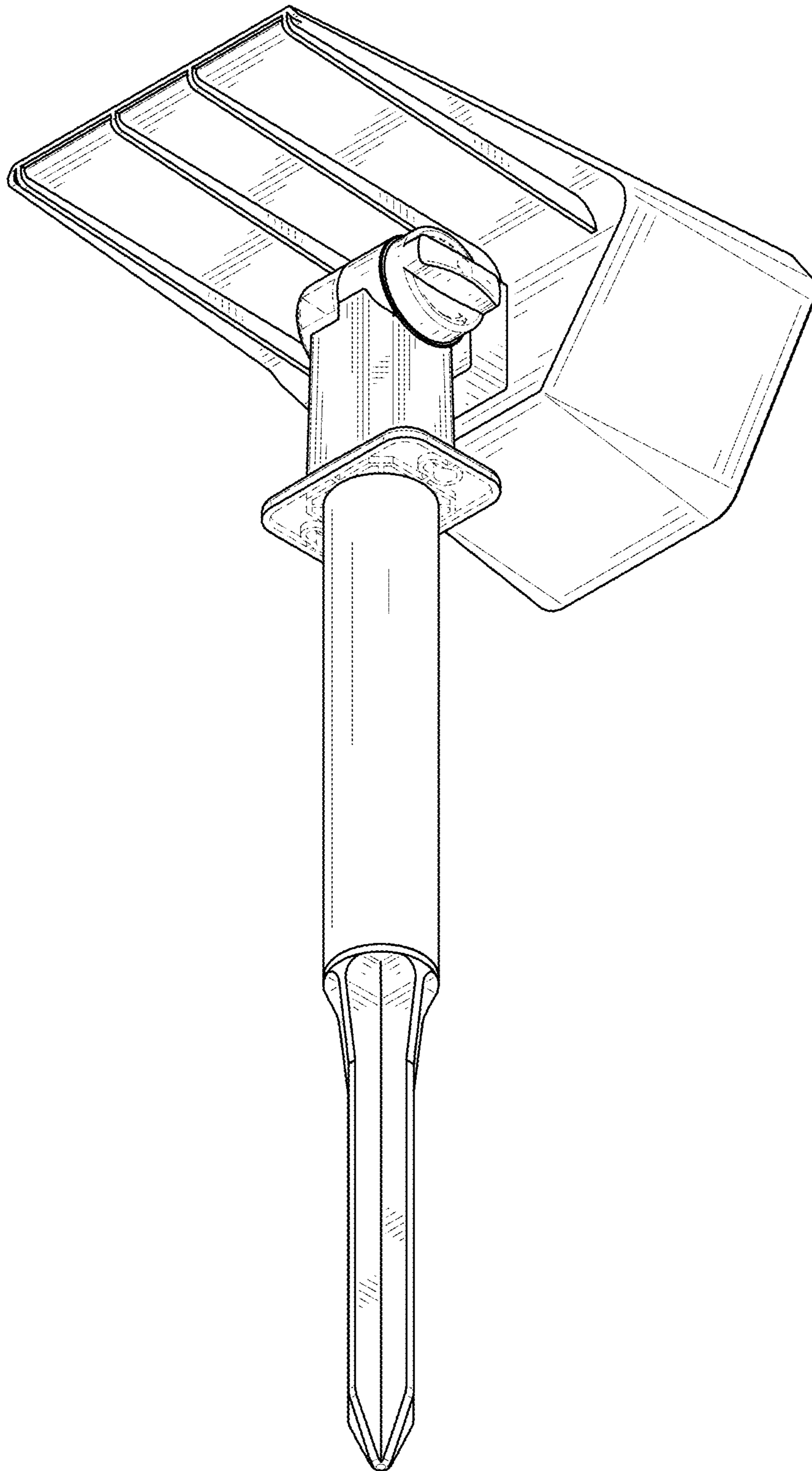


FIG. 1

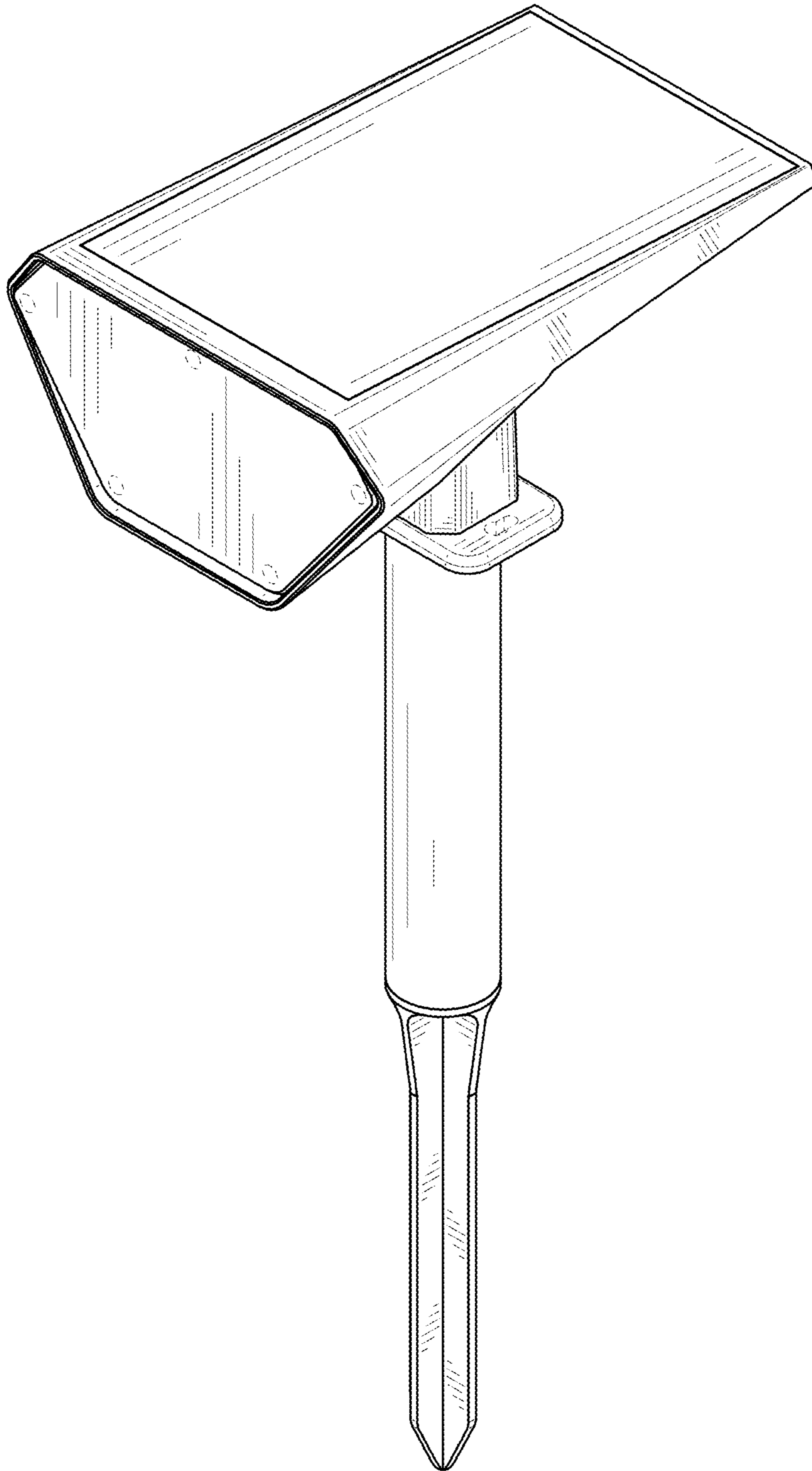


FIG. 2

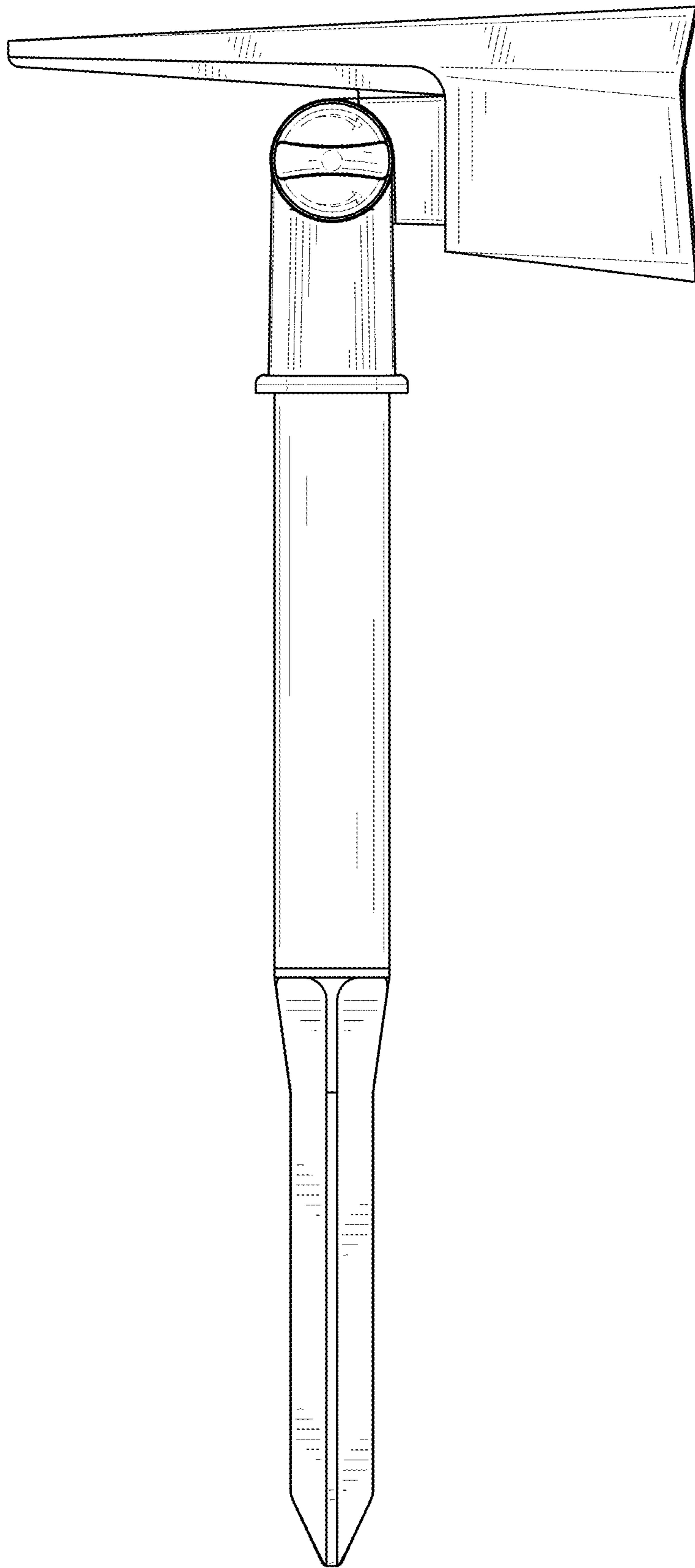


FIG. 3

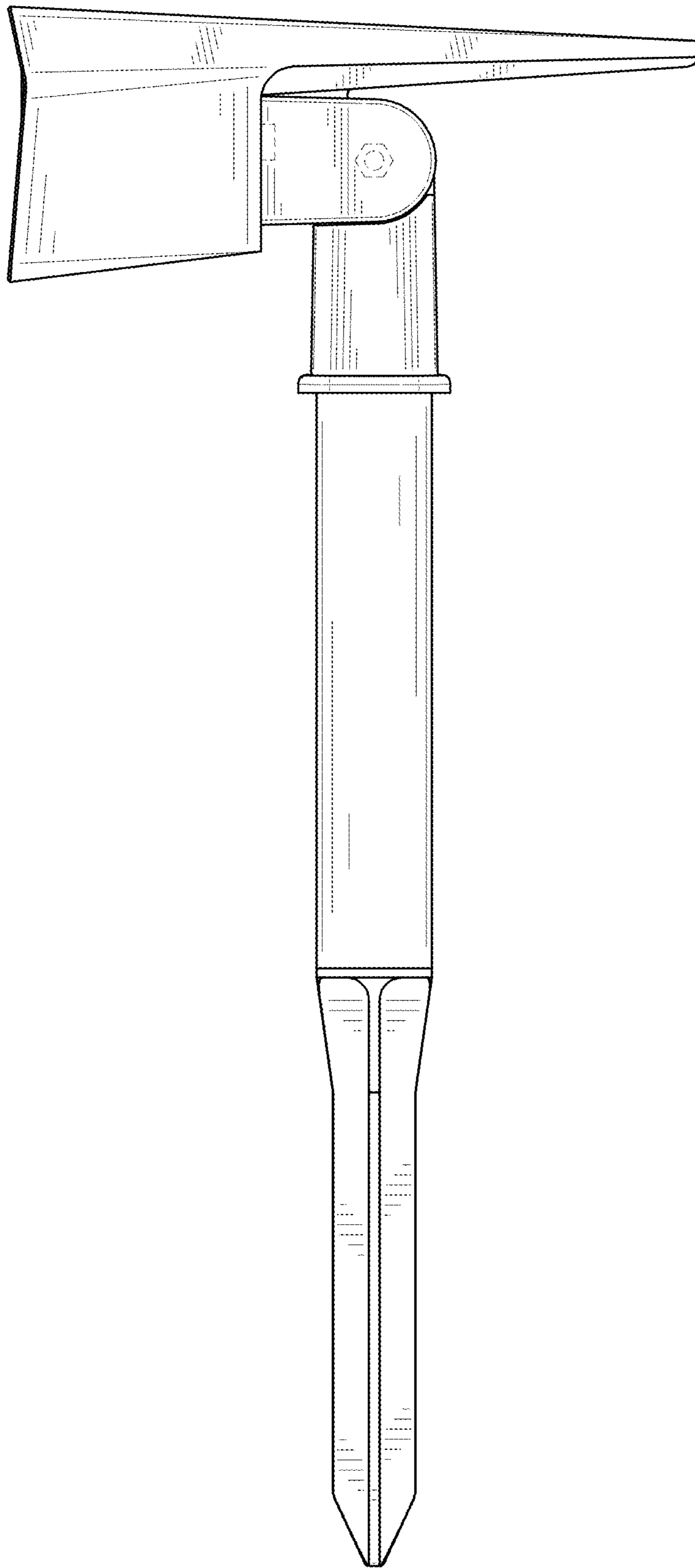


FIG. 4

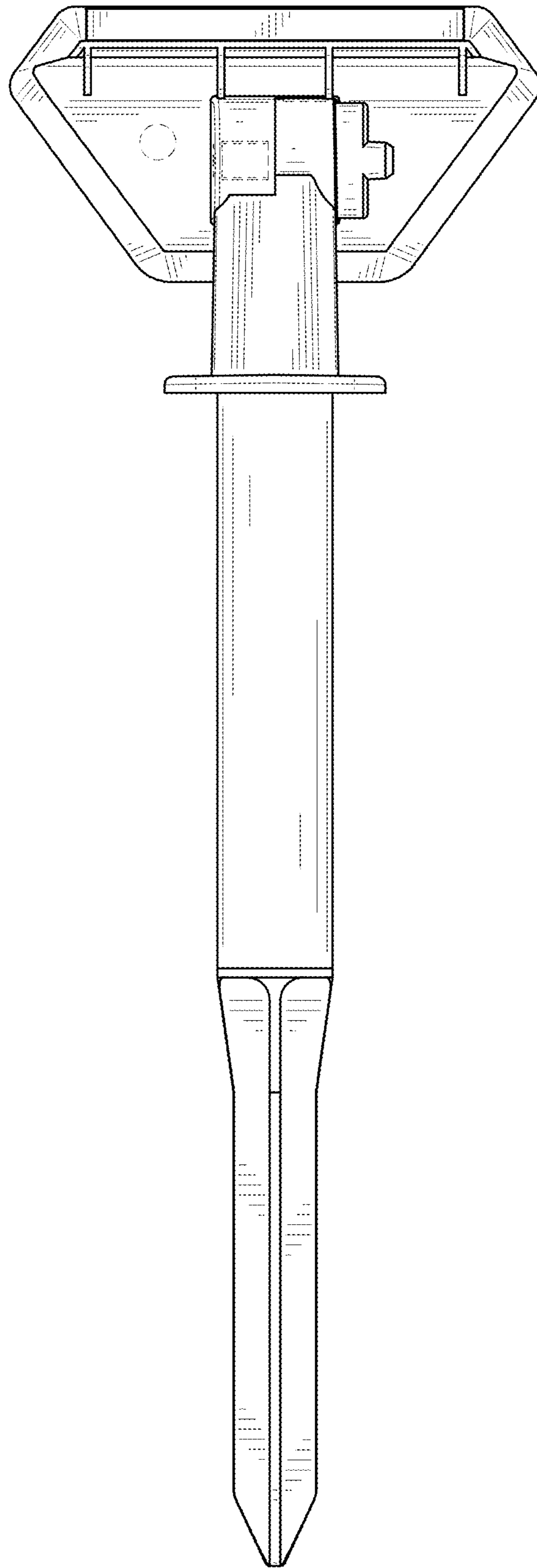


FIG. 5

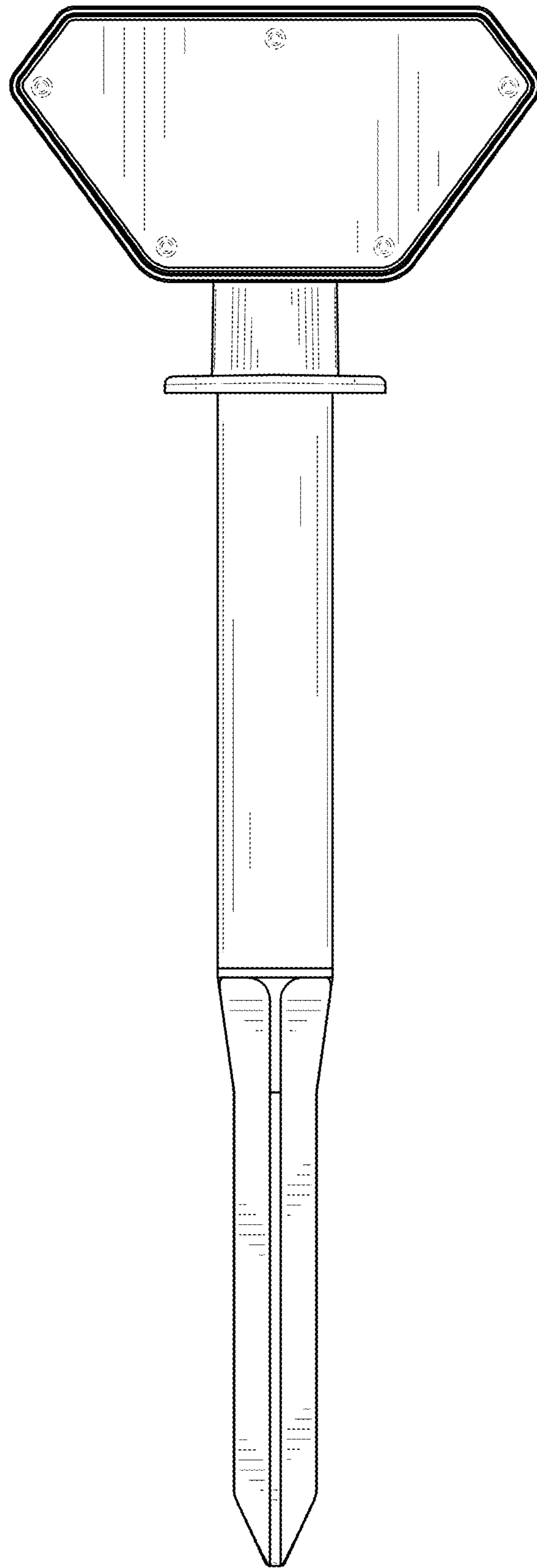


FIG. 6

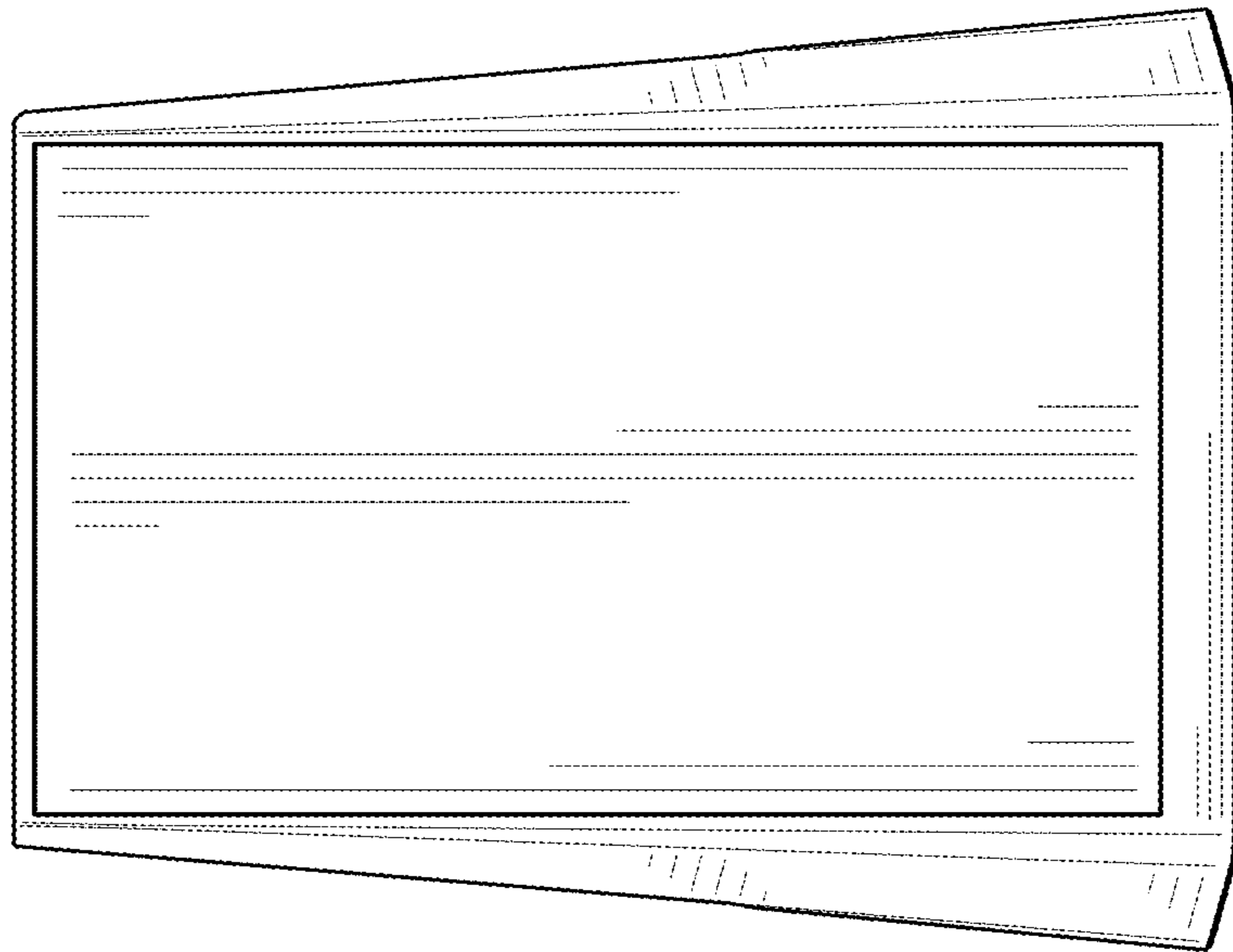


FIG. 7

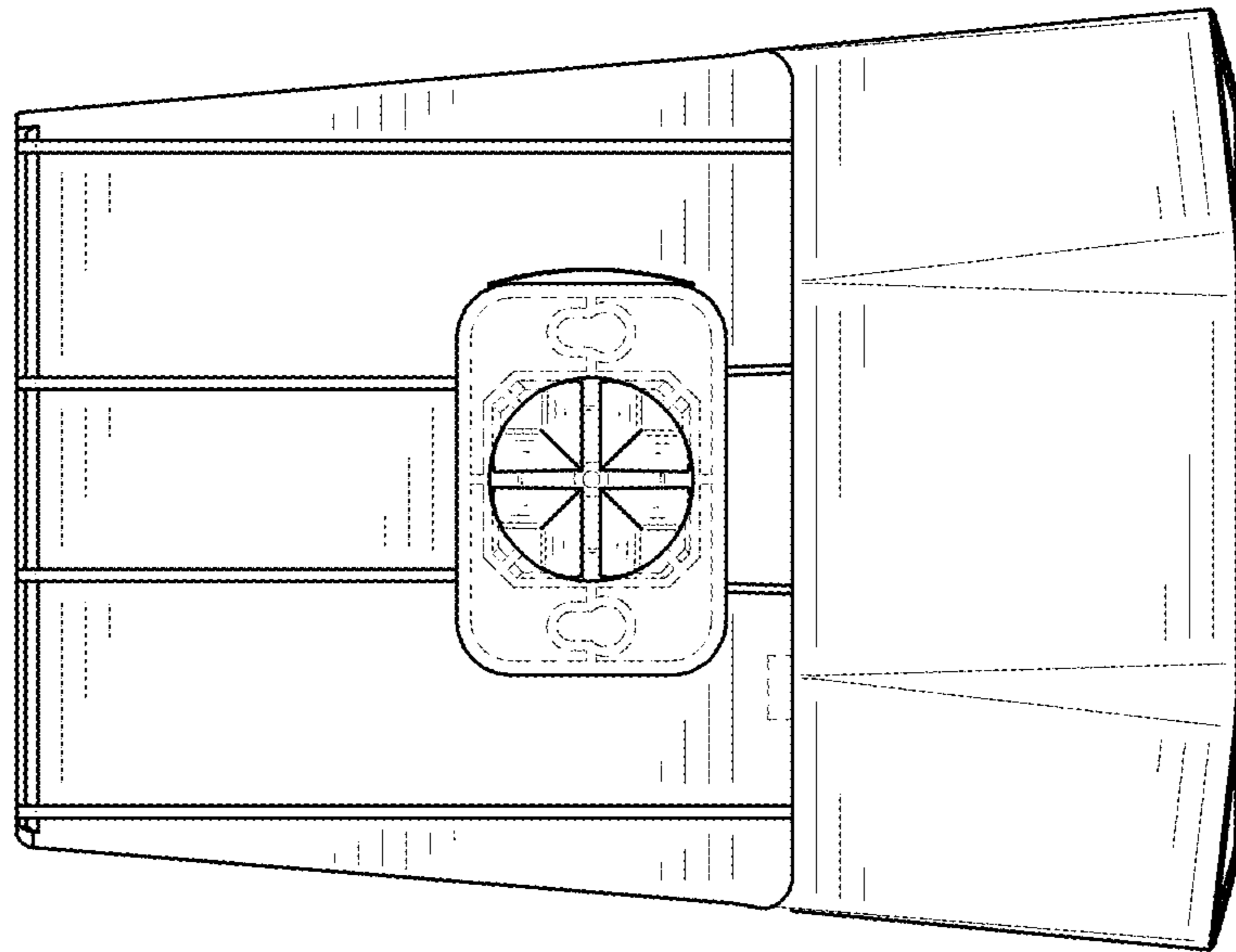


FIG. 8