



US00D963223S

(12) **United States Design Patent**  
**Qian**

(10) **Patent No.:** **US D963,223 S**

(45) **Date of Patent:** **\*\* Sep. 6, 2022**

(54) **READING LIGHT**

(71) Applicant: **ZHEJIANG HENGHELI TECHNOLOGY CO., LTD.**, Wenzhou (CN)

(72) Inventor: **Jinghui Qian**, Wenzhou (CN)

(73) Assignee: **ZHEJIANG HENGHELI TECHNOLOGY CO., LTD.**, Wenzhou (CN)

(\*\*) Term: **15 Years**

(21) Appl. No.: **29/785,729**

(22) Filed: **May 27, 2021**

(51) **LOC (13) Cl.** ..... **26-05**

(52) **U.S. Cl.**  
USPC ..... **D26/60**

(58) **Field of Classification Search**  
USPC ..... D26/24, 60, 61, 63, 93, 106  
CPC ..... F21L 2/00; F21L 4/00; F21L 4/02; F21L 4/025; F21L 4/027; F21L 14/00; F21S 2/00; F21S 8/03; F21S 8/033; F21S 6/00; F21S 6/002; F21S 8/036; F21S 8/037; F21S 8/00; F21S 8/006; F21S 8/026; H01K 7/00; H01K 7/02; A01G 7/045  
See application file for complete search history.

(56) **References Cited**

**U.S. PATENT DOCUMENTS**

D498,322 S	*	11/2004	Schnell	.....	D26/62
D524,977 S	*	7/2006	Smith	.....	D26/113
D648,057 S	*	11/2011	Copeland	.....	D26/65
D669,626 S	*	10/2012	Huang	.....	D26/107
D669,627 S	*	10/2012	Huang	.....	D26/107
D709,235 S	*	7/2014	Chu	.....	D26/65
D773,105 S	*	11/2016	Feit	.....	D26/106
D825,823 S	*	8/2018	Ren	.....	
D860,496 S	*	9/2019	Waldmann	.....	D26/65

D874,701 S	*	2/2020	Hu	.....	D26/60
D890,399 S	*	7/2020	Su	.....	D26/60
D895,872 S	*	9/2020	Yang	.....	D26/60
D901,054 S	*	11/2020	Zhao	.....	D16/237
D901,739 S	*	11/2020	Wu	.....	
D936,884 S	*	11/2021	Lin	.....	D26/60

**FOREIGN PATENT DOCUMENTS**

EM 008549141-0001 \* 5/2021

**OTHER PUBLICATIONS**

Amazon, "Linkind 24W Dimmable LED Torchiere Floor Lamp", first available Dec. 22, 2020. (<https://www.amazon.com/dp/B08R5LTFZN/>) (Year: 2020).\*

Amazon, "OHLUX Smart Floor Lamp", first available Jun. 2, 2020. (<https://www.amazon.com/dp/B089K3MWNX/>) (Year: 2020).\*

(Continued)

*Primary Examiner* — Samantha Q Lawrence

*Assistant Examiner* — Justin A Johnson

(57) **CLAIM**

The ornamental design for a reading light, as shown and described.

**DESCRIPTION**

FIG. 1 is a perspective view of a reading light showing my new design;

FIG. 2 is another perspective view thereof;

FIG. 3 is a front elevational view thereof;

FIG. 4 is a rear elevational view thereof;

FIG. 5 is a left side elevational view thereof;

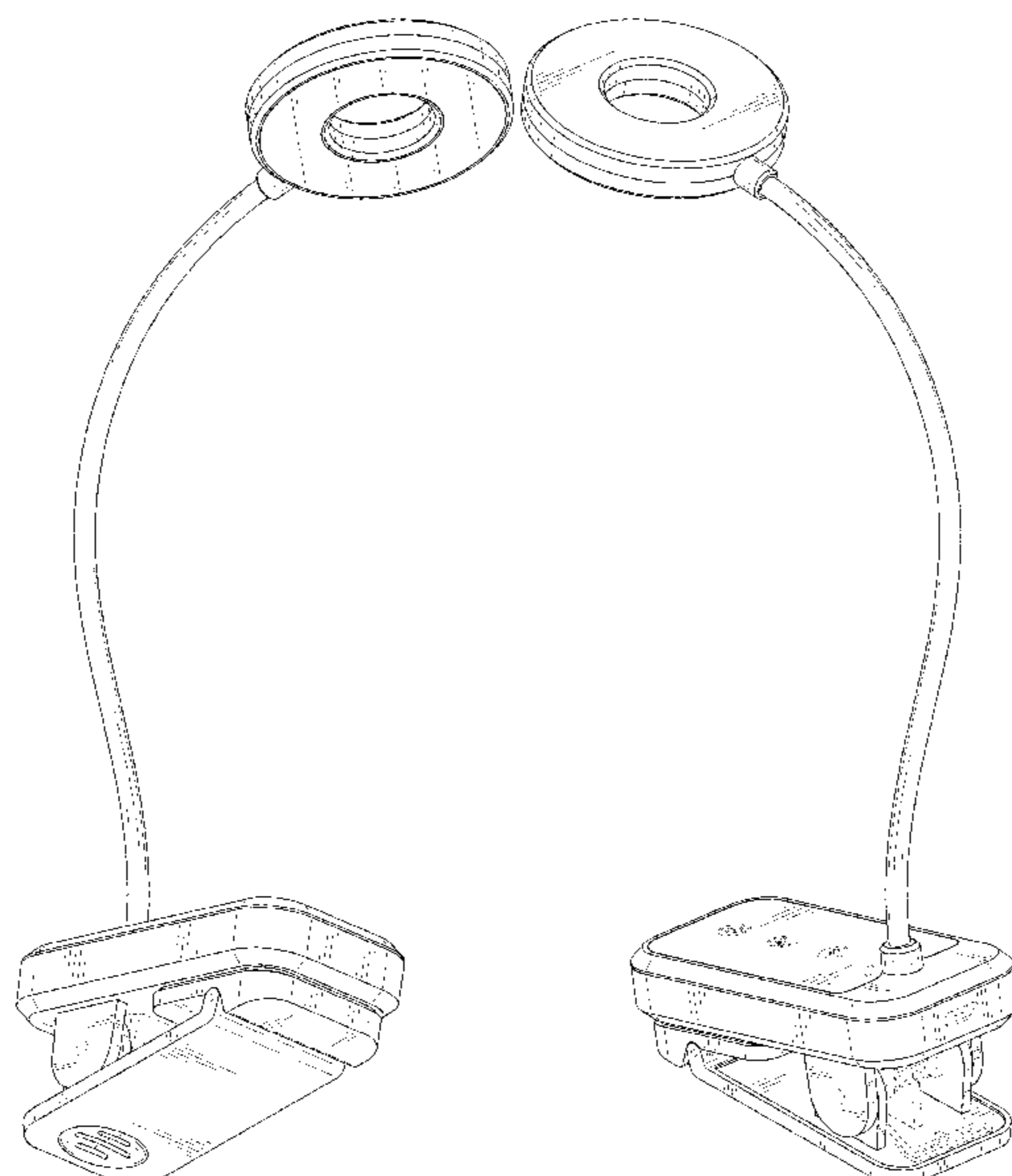
FIG. 6 is a right side elevational view thereof;

FIG. 7 is a top plan view thereof; and,

FIG. 8 is a bottom plan view thereof.

The broken lines in the drawings depict portions of the reading light that form no part of the claimed design.

**1 Claim, 8 Drawing Sheets**



(56)

**References Cited**

OTHER PUBLICATIONS

Amazon, "Floor Lamp Standing Floor Arc", first available Jun. 20, 2020. (<https://www.amazon.com/dp/B08D7DK3YD/>) (Year: 2020).\*

Amazon, "RGB LED Floor Lamp Remote Control", first available Apr. 27, 2021. (<https://www.amazon.com/dp/B093LDHJZP/>) (Year: 2021).\*

Amazon, "SIBRILLE Reading Light", first available Jul. 31, 2021. (<https://www.amazon.com/dp/B09BKN9668/>) (Year: 2021).\*

\* cited by examiner

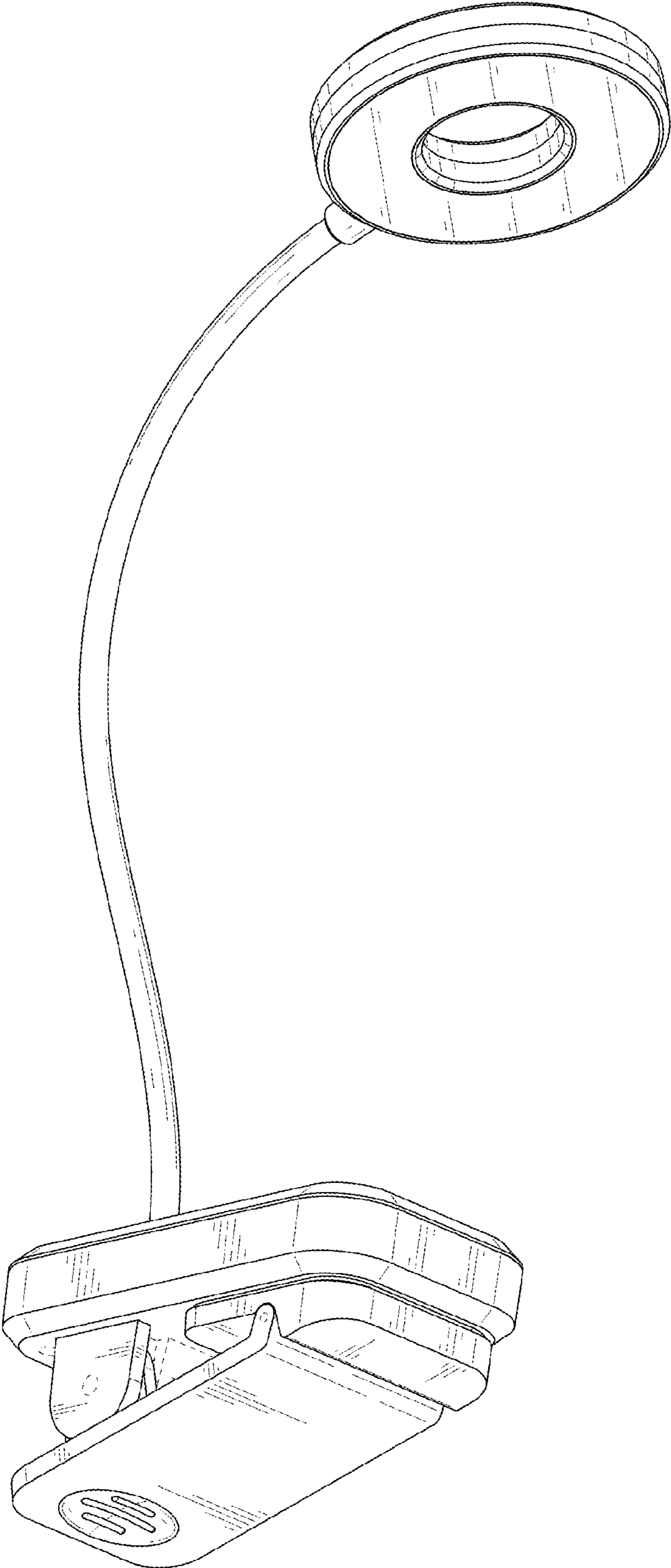


FIG. 1

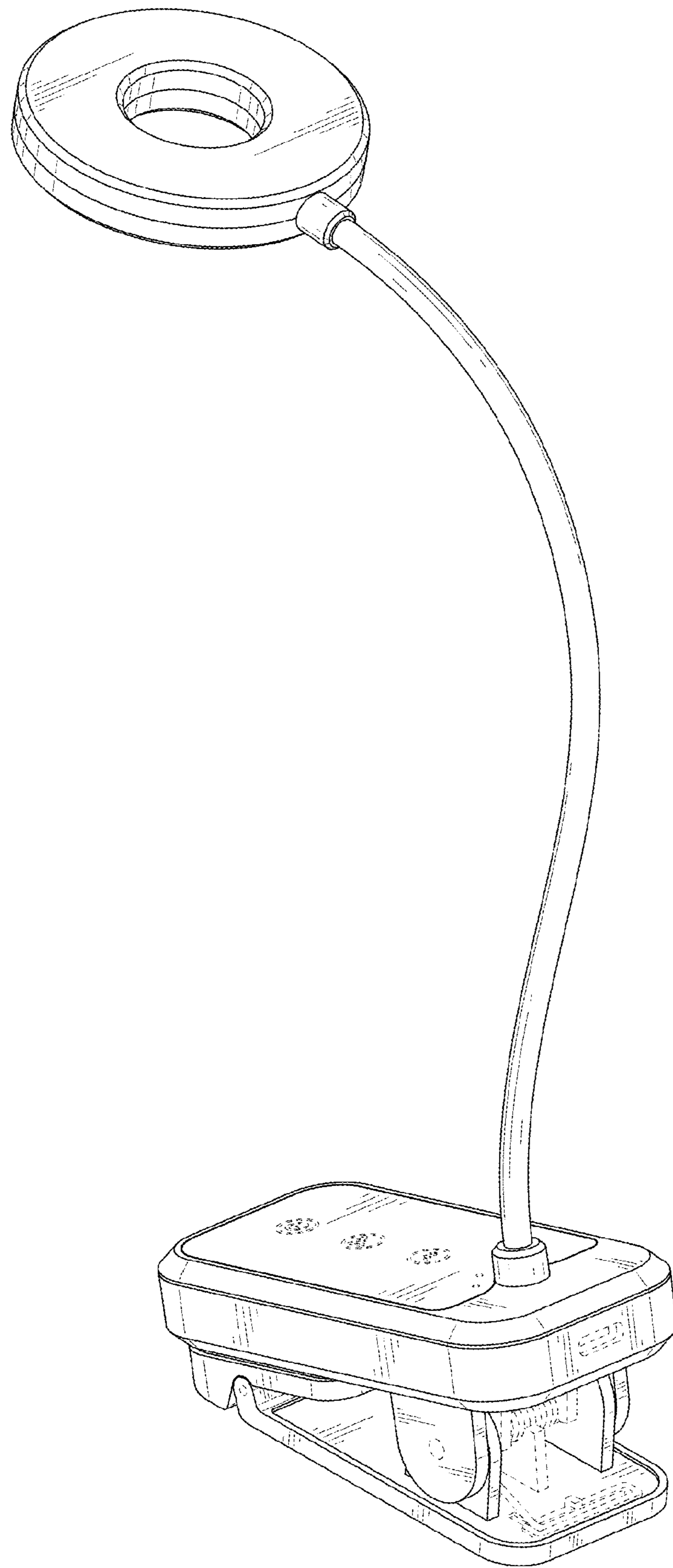


FIG. 2

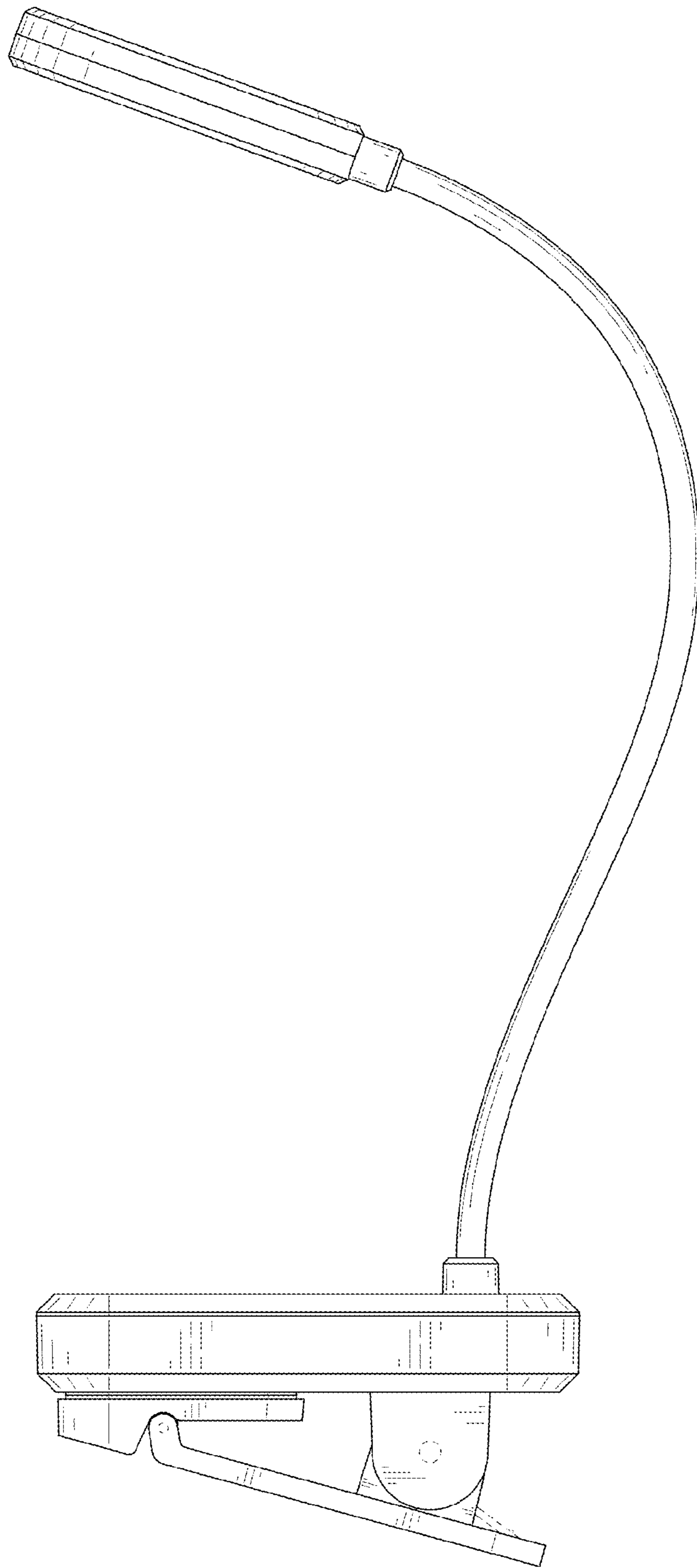


FIG. 3

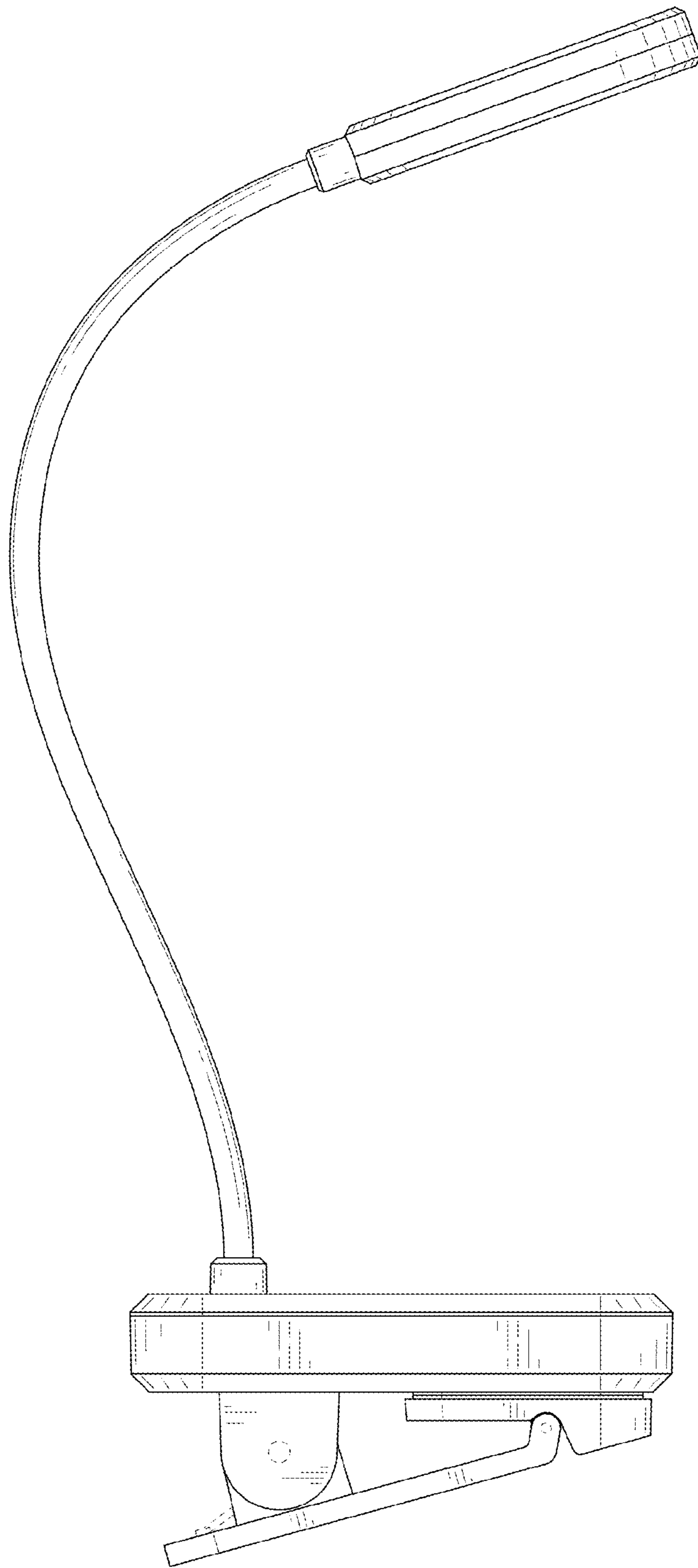


FIG. 4



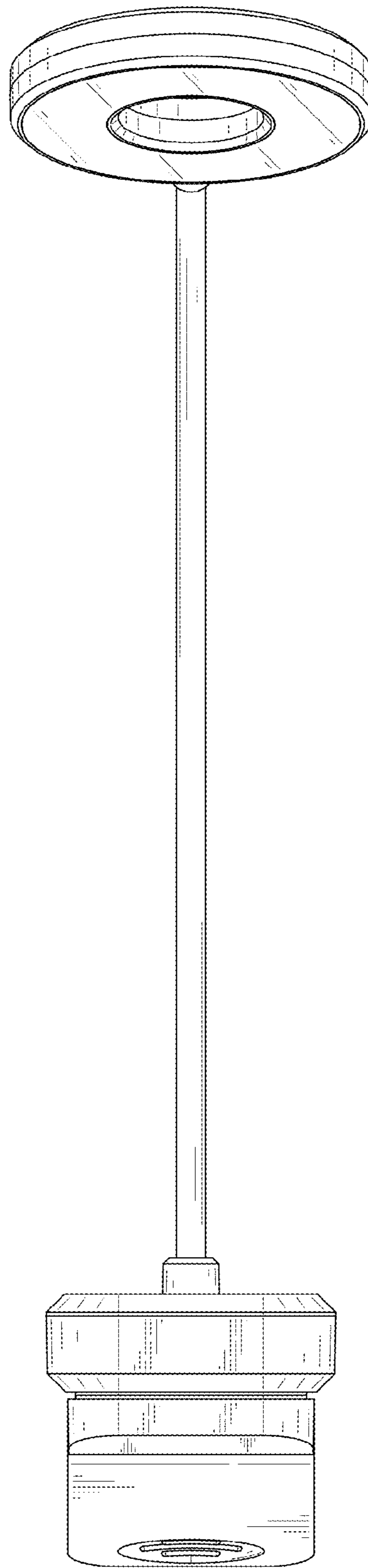


FIG. 5

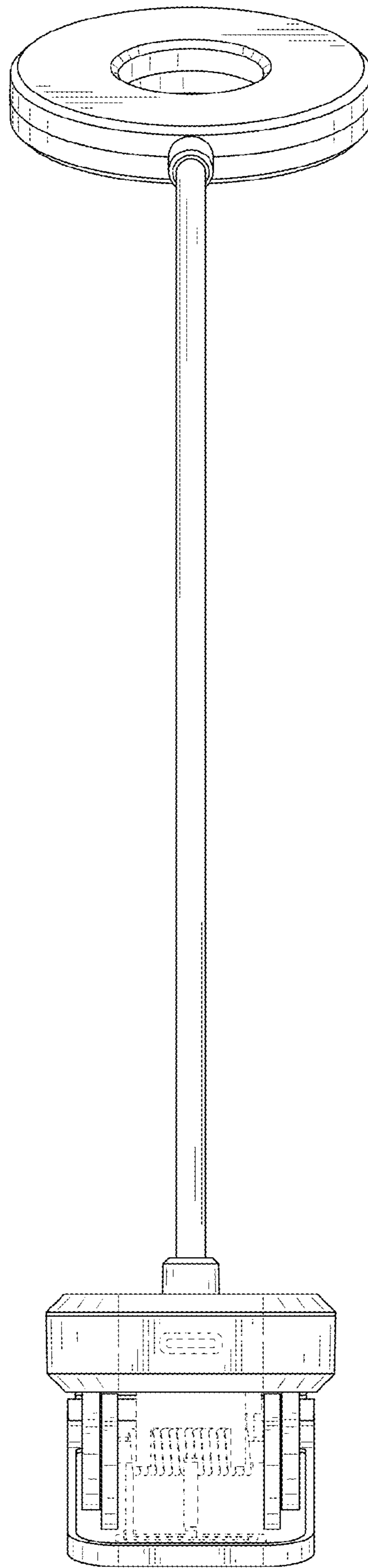


FIG. 6



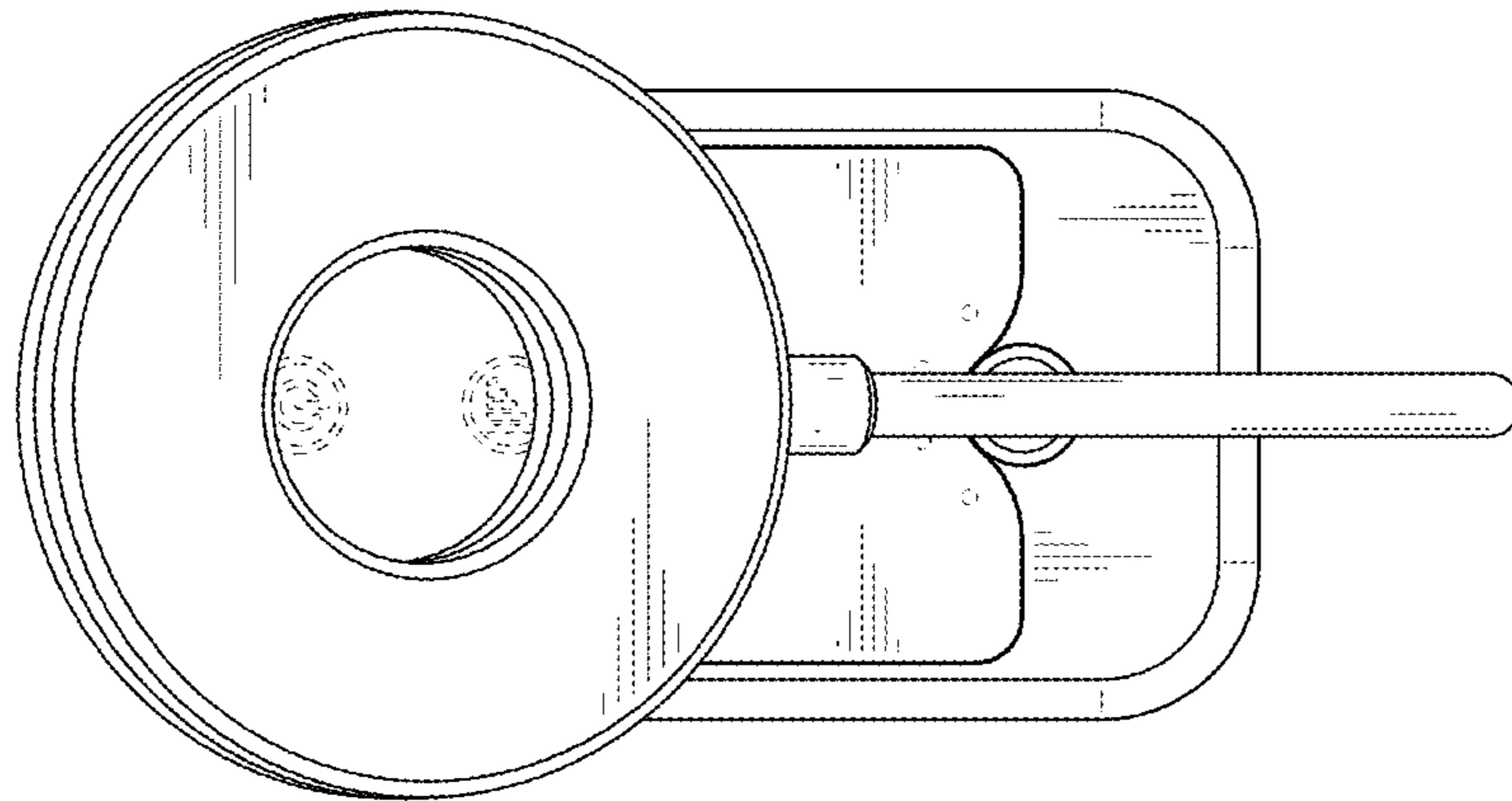


FIG. 7

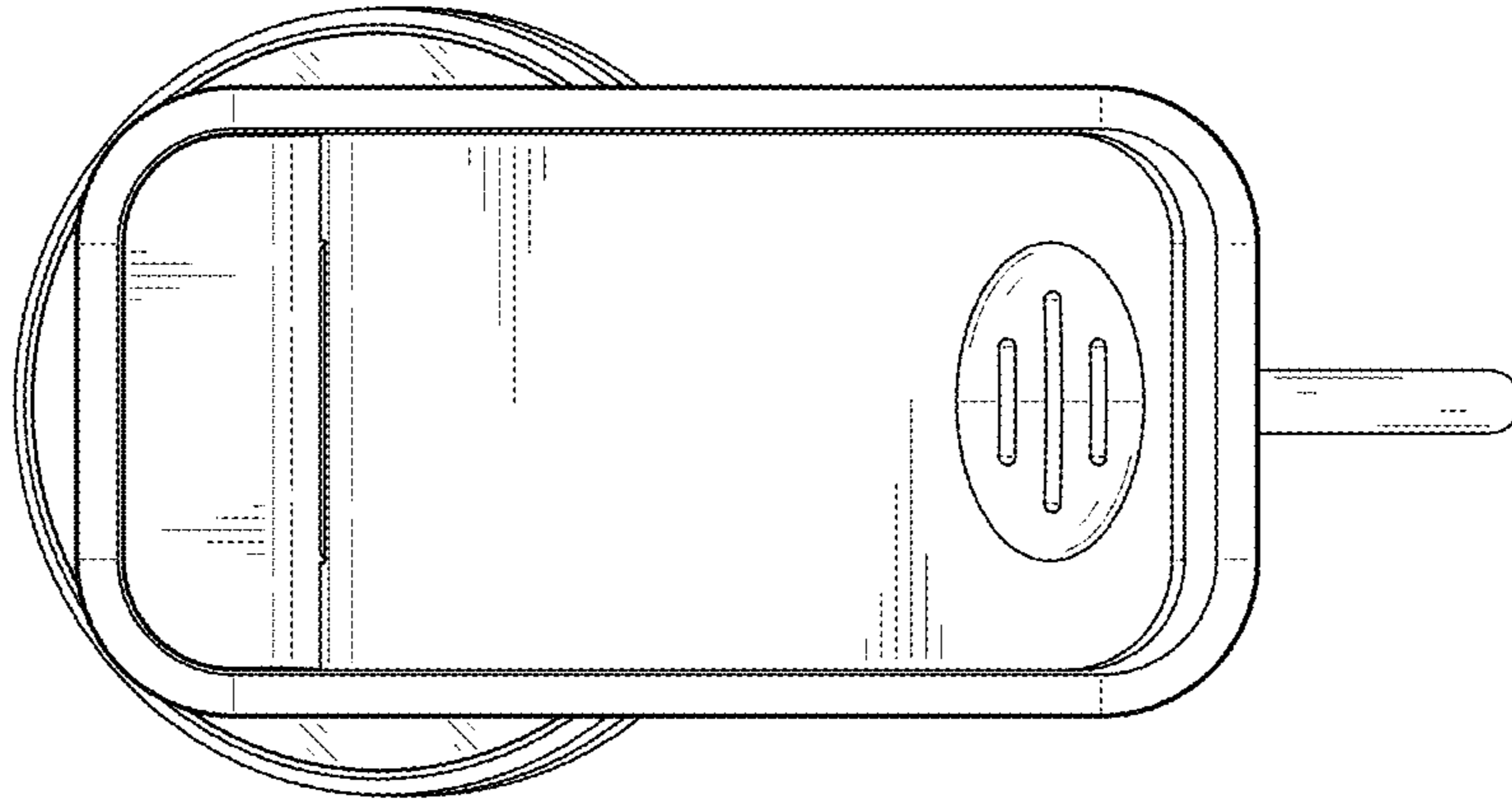


FIG. 8