



US00D963222S

(12) **United States Design Patent** (10) **Patent No.:** **US D963,222 S**
Lv (45) **Date of Patent:** **** Sep. 6, 2022**

(54) **CEILING FAN LIGHT**

(71) Applicant: **Zekai Lv**, Huanggang (CN)

(72) Inventor: **Zekai Lv**, Huanggang (CN)

(**) Term: **15 Years**

(21) Appl. No.: **29/816,480**

(22) Filed: **Nov. 22, 2021**

(30) **Foreign Application Priority Data**

Jul. 19, 2021 (CN) 202130456336.X

(51) **LOC (13) Cl.** **26-05**

(52) **U.S. Cl.**
USPC **D26/59**; D23/382; D23/377

(58) **Field of Classification Search**
USPC D26/59; D23/370, 377, 379, 381, 382,
D23/412, 414
CPC F04D 29/386; F04D 29/38; F04D 25/088;
F21V 33/0096
See application file for complete search history.

(56) **References Cited**

U.S. PATENT DOCUMENTS

D31,369 S *	8/1899	Lundell	D23/382
D41,848 S *	10/1911	Hirsch	D23/382
D59,975 S *	12/1921	Nakamura	D23/382
D102,322 S *	12/1936	Camp	D23/382
D108,142 S *	1/1938	Koch	D23/382
D128,142 S *	7/1941	Moskowitz	D23/382
D152,758 S *	2/1949	Ullman	D23/382
D160,023 S *	9/1950	SeBastian	D23/382
D161,967 S *	2/1951	SeBastian	D23/382
D164,139 S *	7/1951	SeBastian	D23/382
D181,083 S *	9/1957	Wells	D23/382
D493,217 S *	7/2004	Spina	D23/377
D517,197 S *	3/2006	Pickett	D23/411
D700,311 S *	2/2014	Wang	D23/385
D834,734 S *	11/2018	Guthrie	
D889,632 S *	7/2020	Ediger	D23/412

D895,097 S *	9/2020	Wang	D23/377
D896,949 S *	9/2020	Wang	D23/411
D928,373 S *	8/2021	Haggar	
D952,123 S *	5/2022	Searle	D23/382

(Continued)

FOREIGN PATENT DOCUMENTS

CN	302082733	*	9/2012
CN	305448443	*	11/2019
CN	306406087	*	3/2021

OTHER PUBLICATIONS

“UNITARY Brand Vintage Barn Metal Semi Flush Mount Light,”
May 8, 2015, amazon.com, site visited Jul. 14, 2022, URL: https://www.amazon.com/UNITARY-Vintage-Lights-Painted-Finish/dp/B00XBJN51I?source=ps-sl-shoppingads-lpcontext&ref_=fplfs&smid=A3KHH7IOU7JWFO&th=1 (Year: 2015).*

(Continued)

Primary Examiner — Christy Nemeth
Assistant Examiner — Sarah L Smith

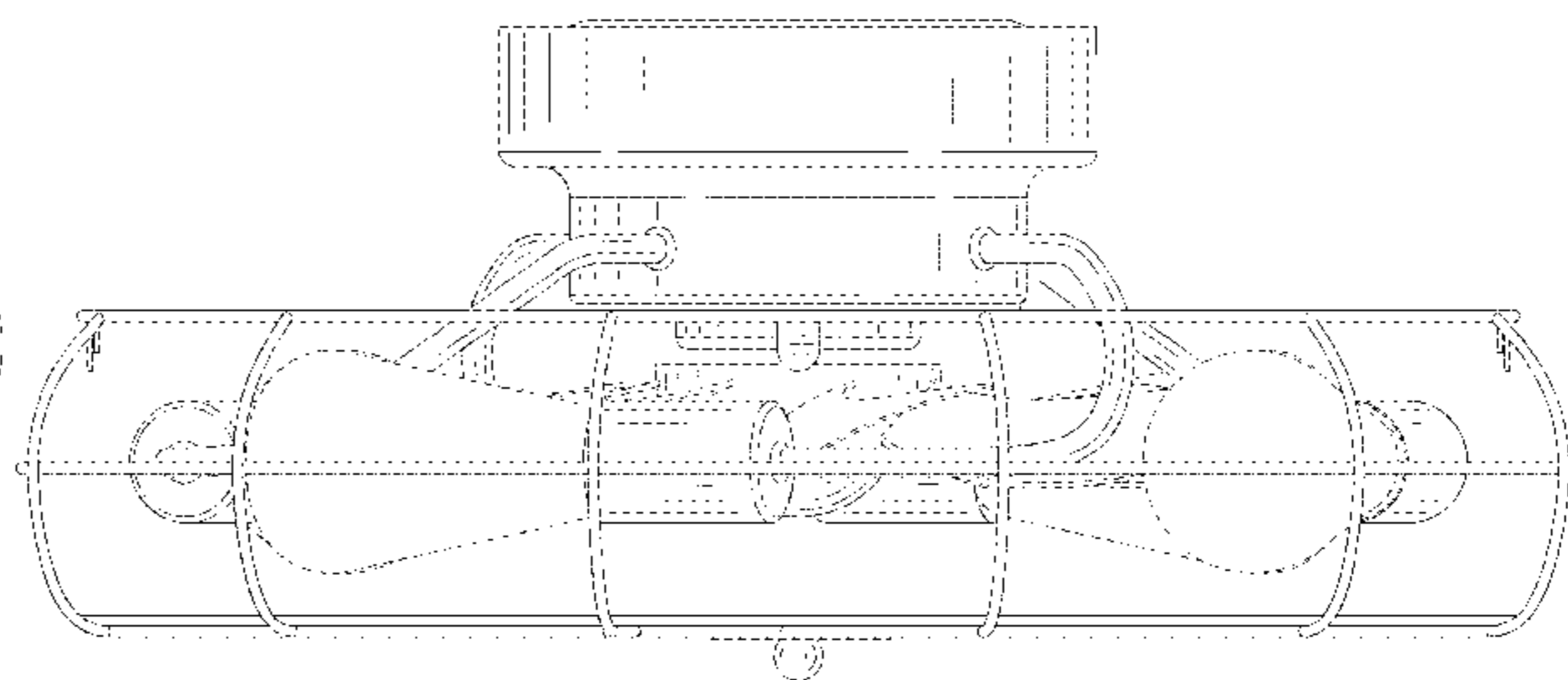
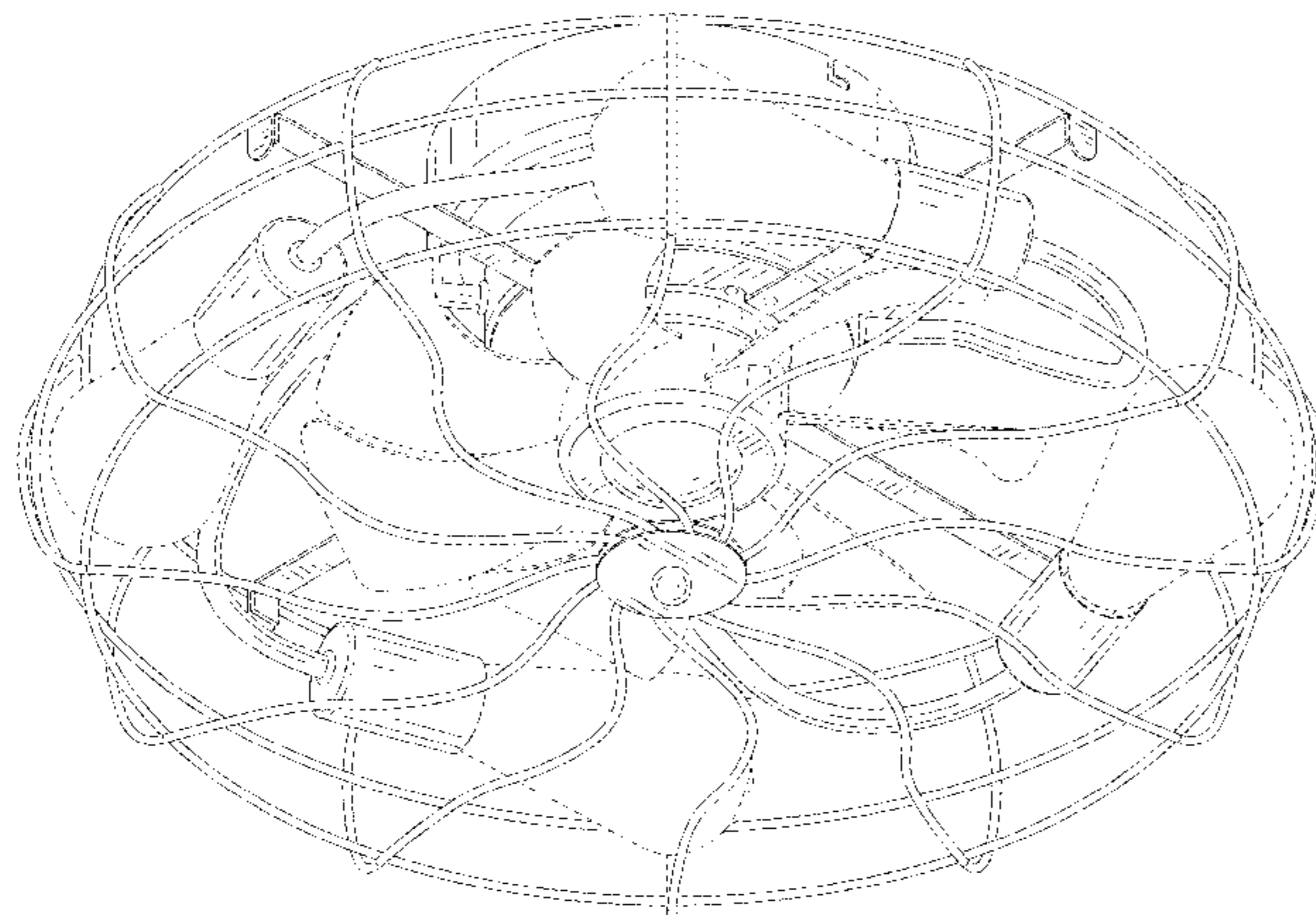
(57) **CLAIM**

The ornamental design for a ceiling fan light, as shown and described.

DESCRIPTION

FIG. 1 is a perspective view of a ceiling fan light showing my new design;
FIG. 2 is another perspective view thereof;
FIG. 3 is a front elevational view thereof;
FIG. 4 is a rear elevational view thereof;
FIG. 5 is a left side elevational view thereof;
FIG. 6 is a right side elevational view thereof;
FIG. 7 is a top plan view thereof; and,
FIG. 8 is a bottom plan view thereof.
The broken lines in the drawings depict portions of the ceiling fan light that form no part of the claimed design.

1 Claim, 8 Drawing Sheets



(56)

References Cited

U.S. PATENT DOCUMENTS

D957,614 S * 7/2022 Keepers D23/382

OTHER PUBLICATIONS

"72" Turbina XL Modern Contemporary Indoor Ceiling Fan," Nov. 30, 2018, amazon.com, site visited Jul. 14, 2022, URL: <https://www.amazon.com/Turbina-Contemporary-Ceiling-Control-Vintage/dp/B07MMVJGSF?th=1> (Year: 2018).*

* cited by examiner

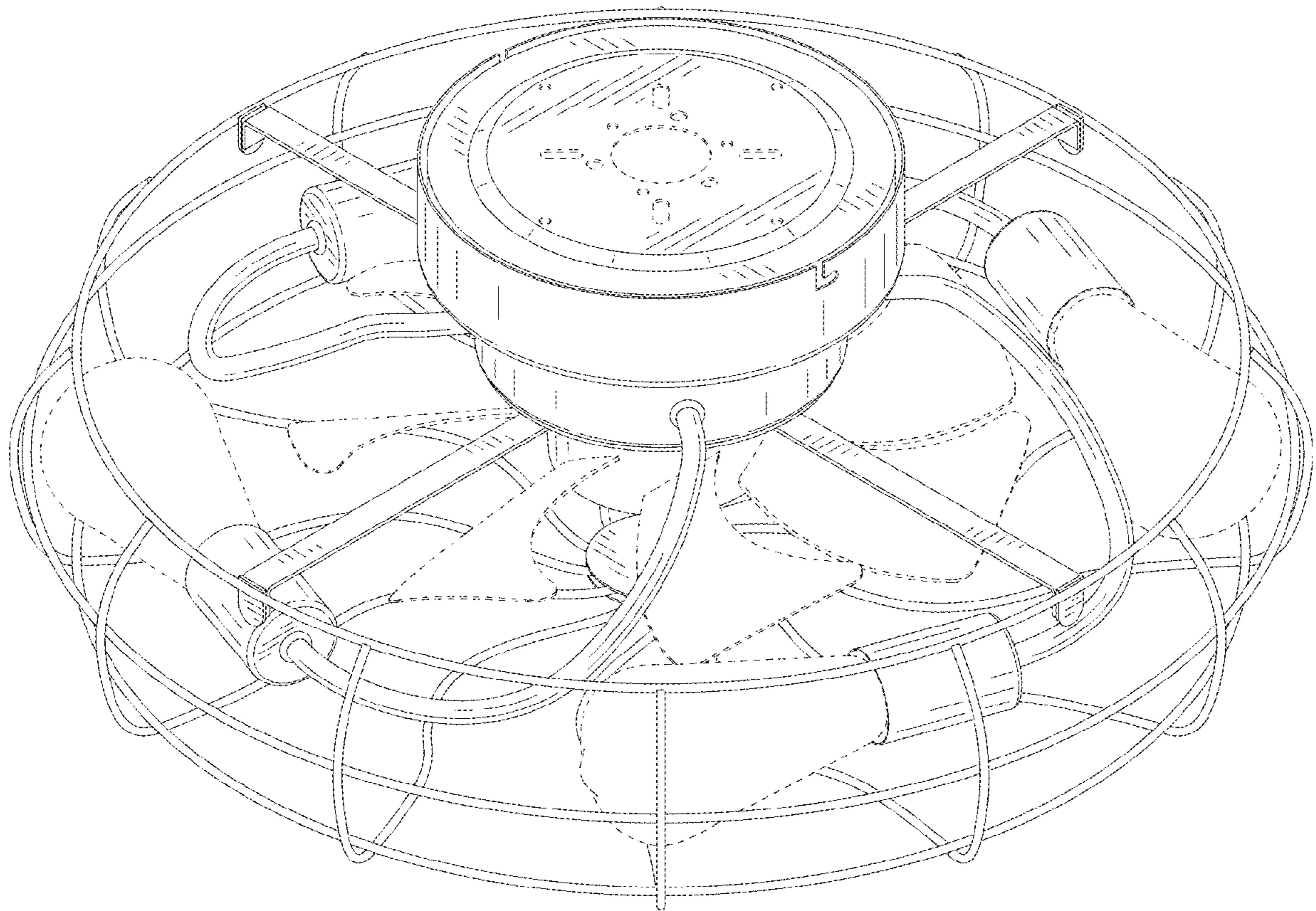


FIG. 1

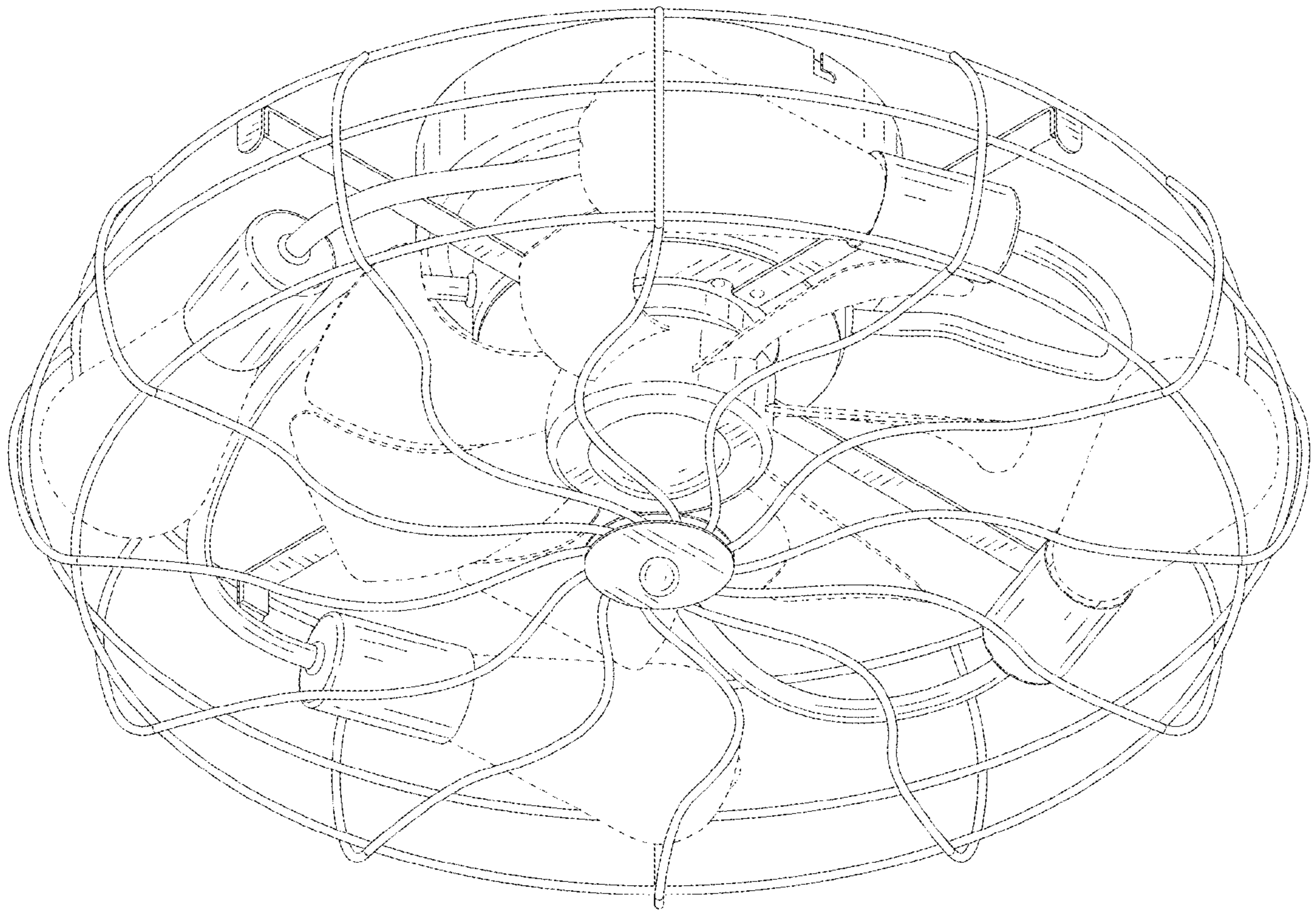


FIG. 2

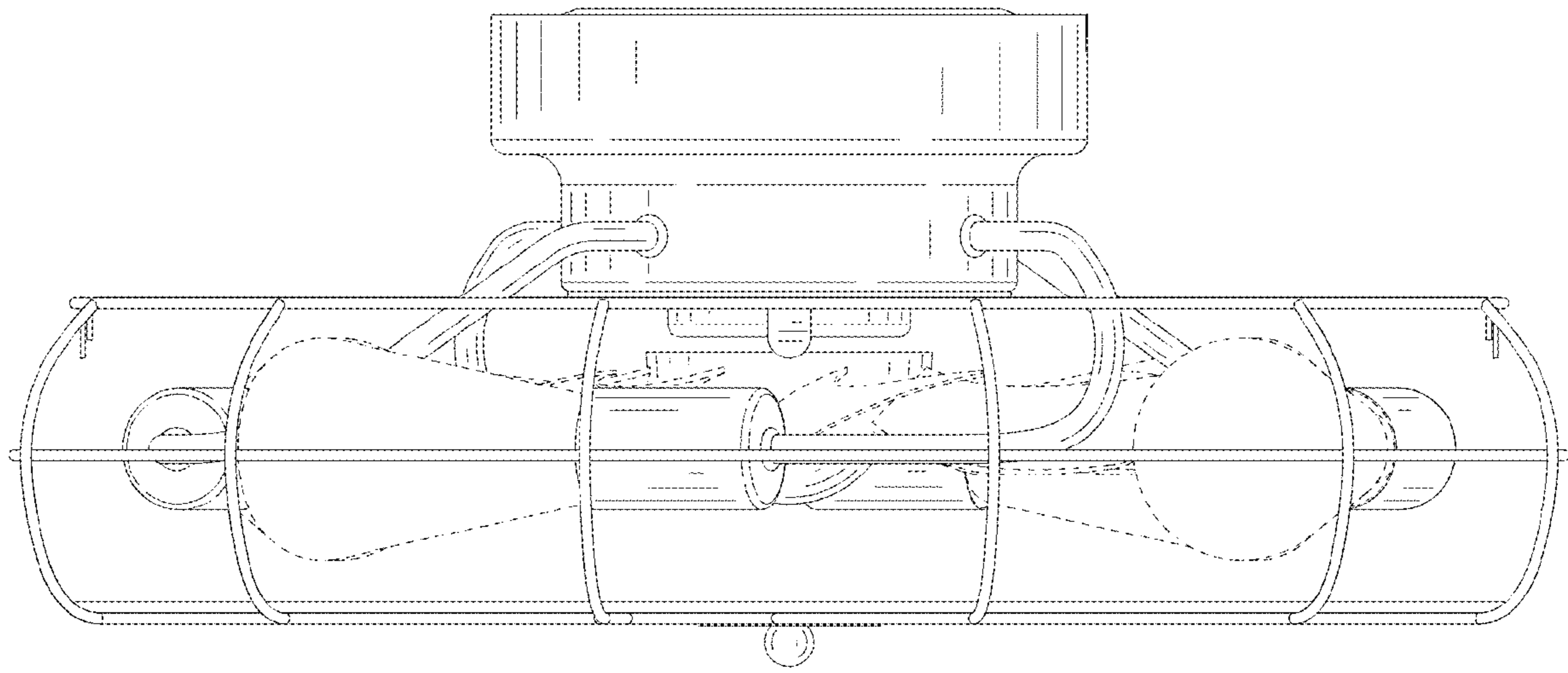


FIG. 3

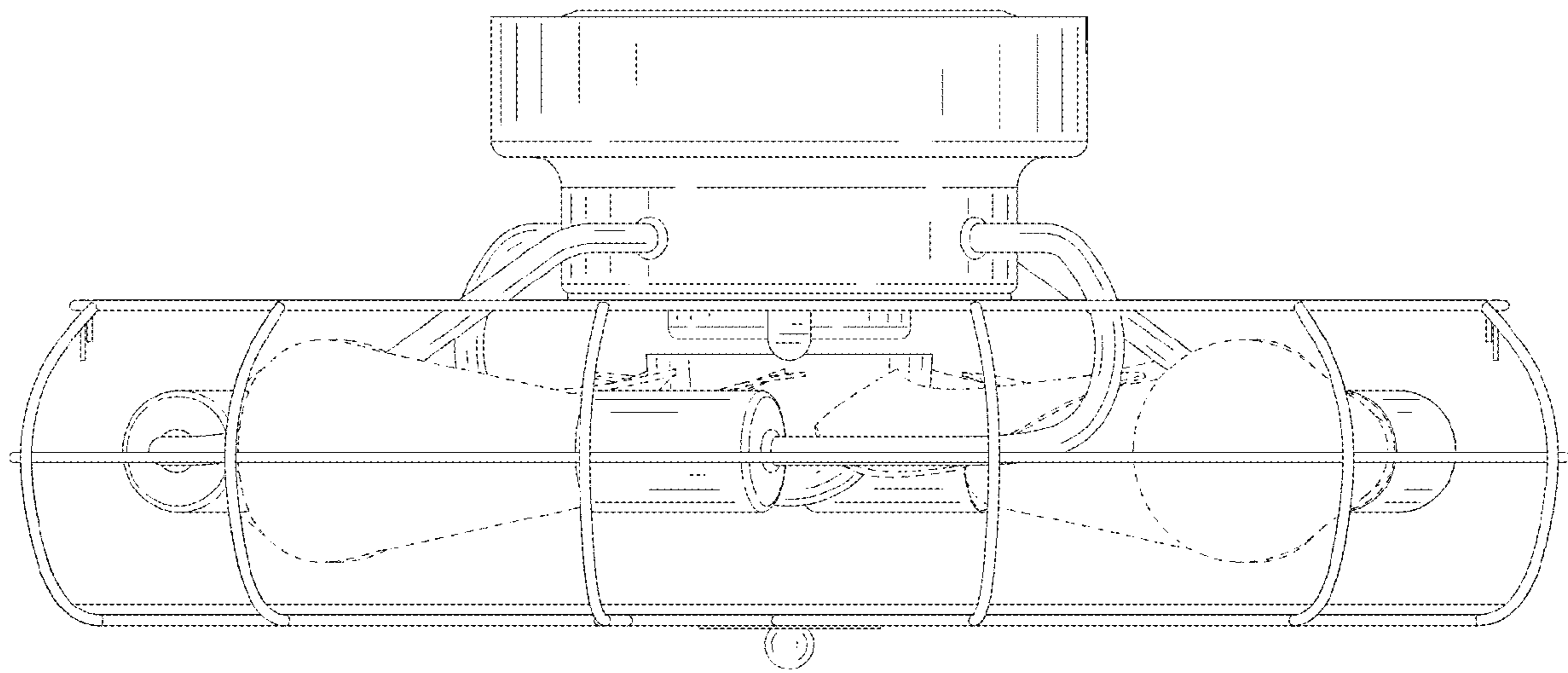


FIG. 4

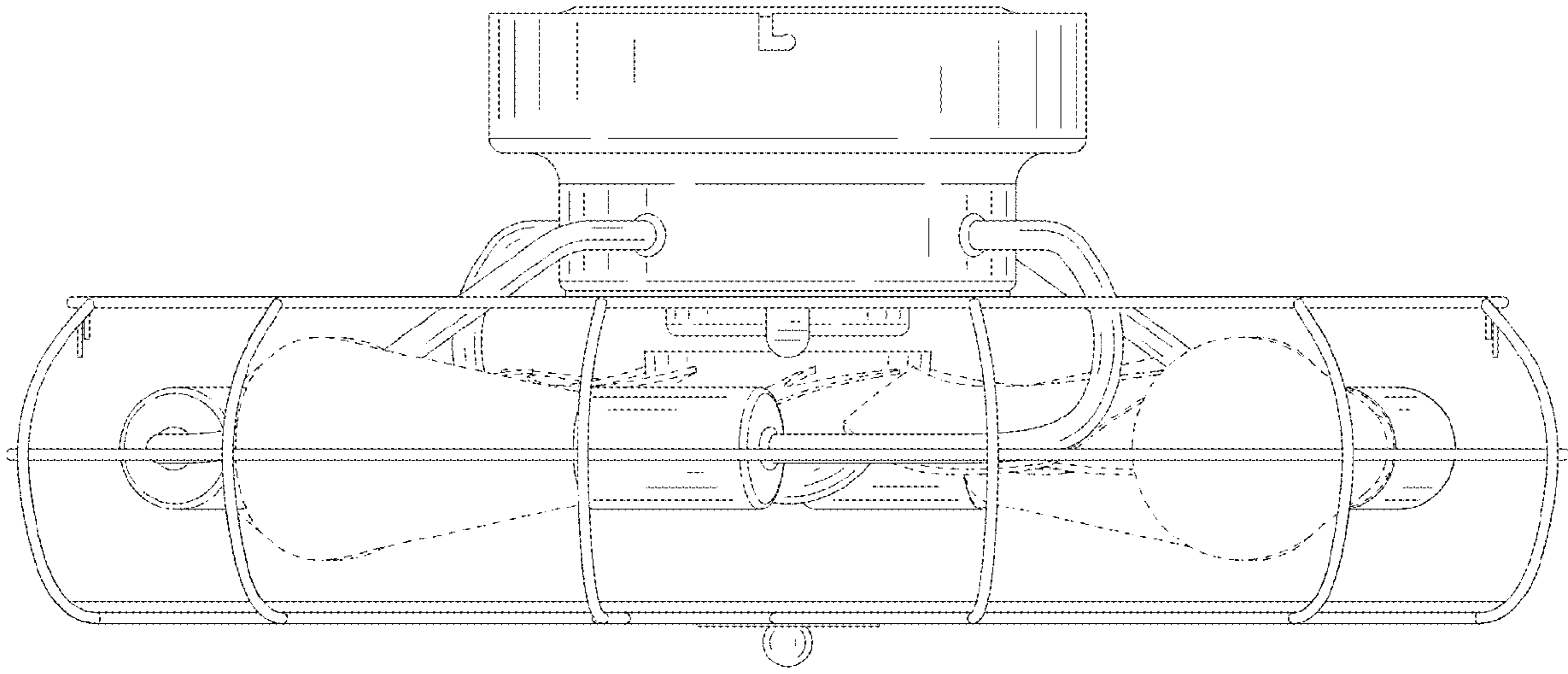


FIG. 5

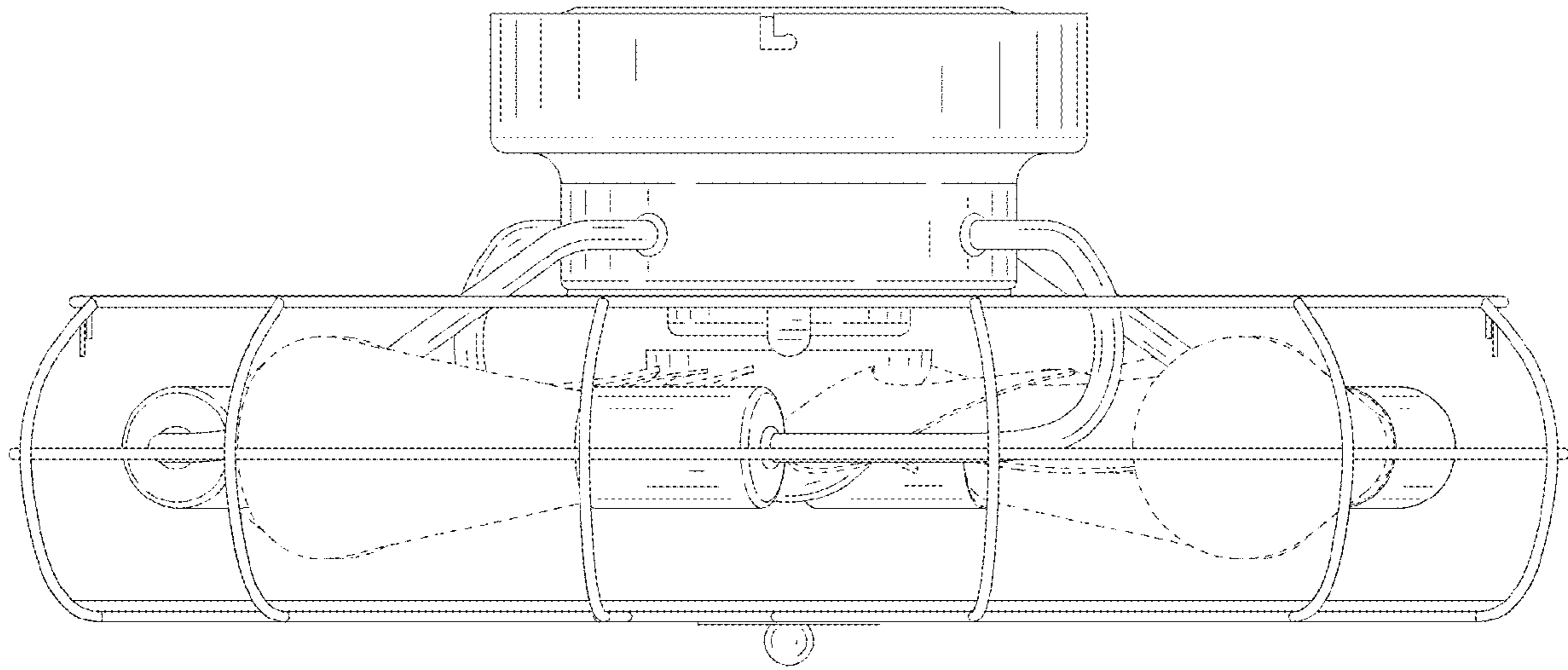


FIG. 6

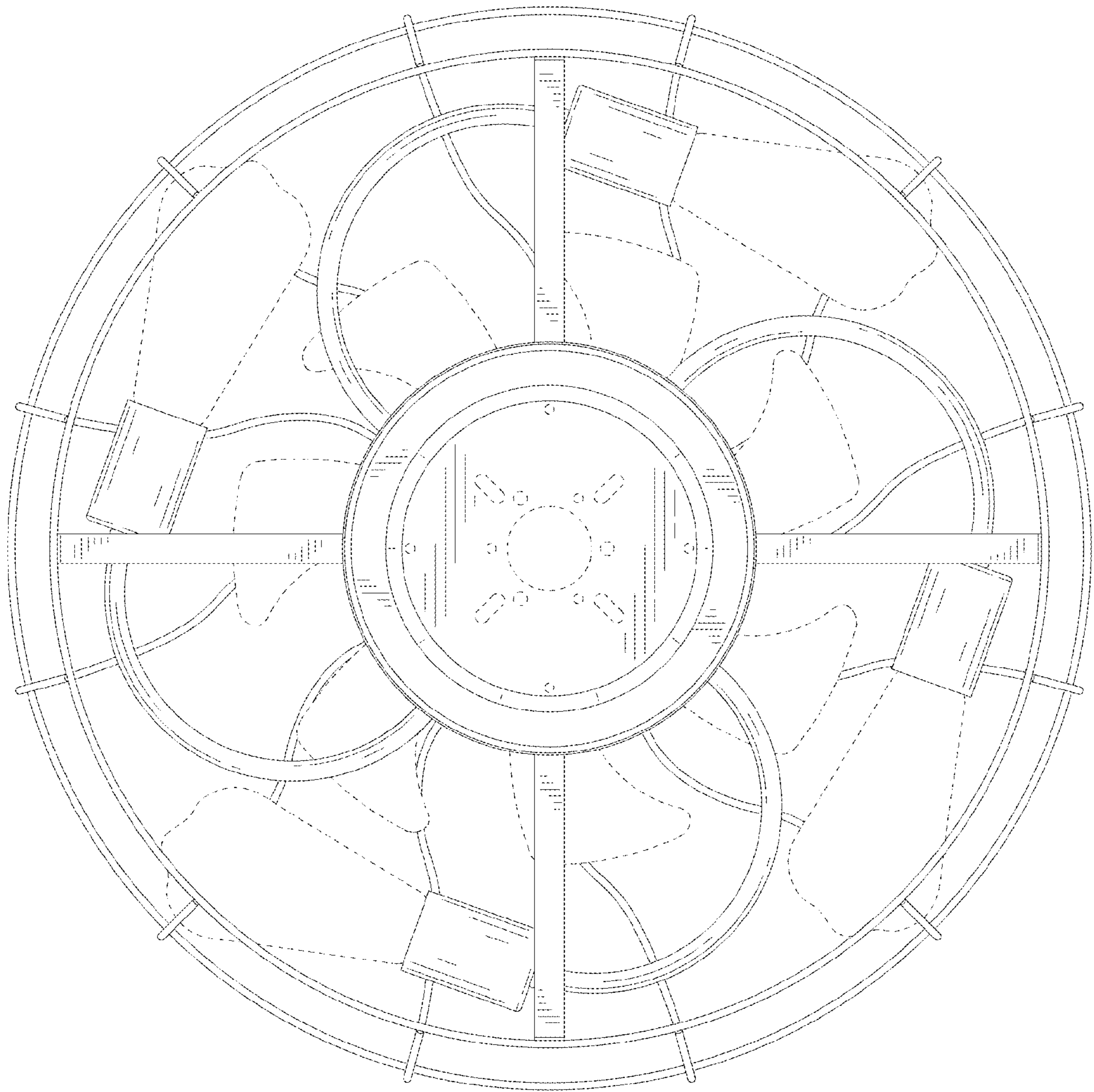


FIG. 7

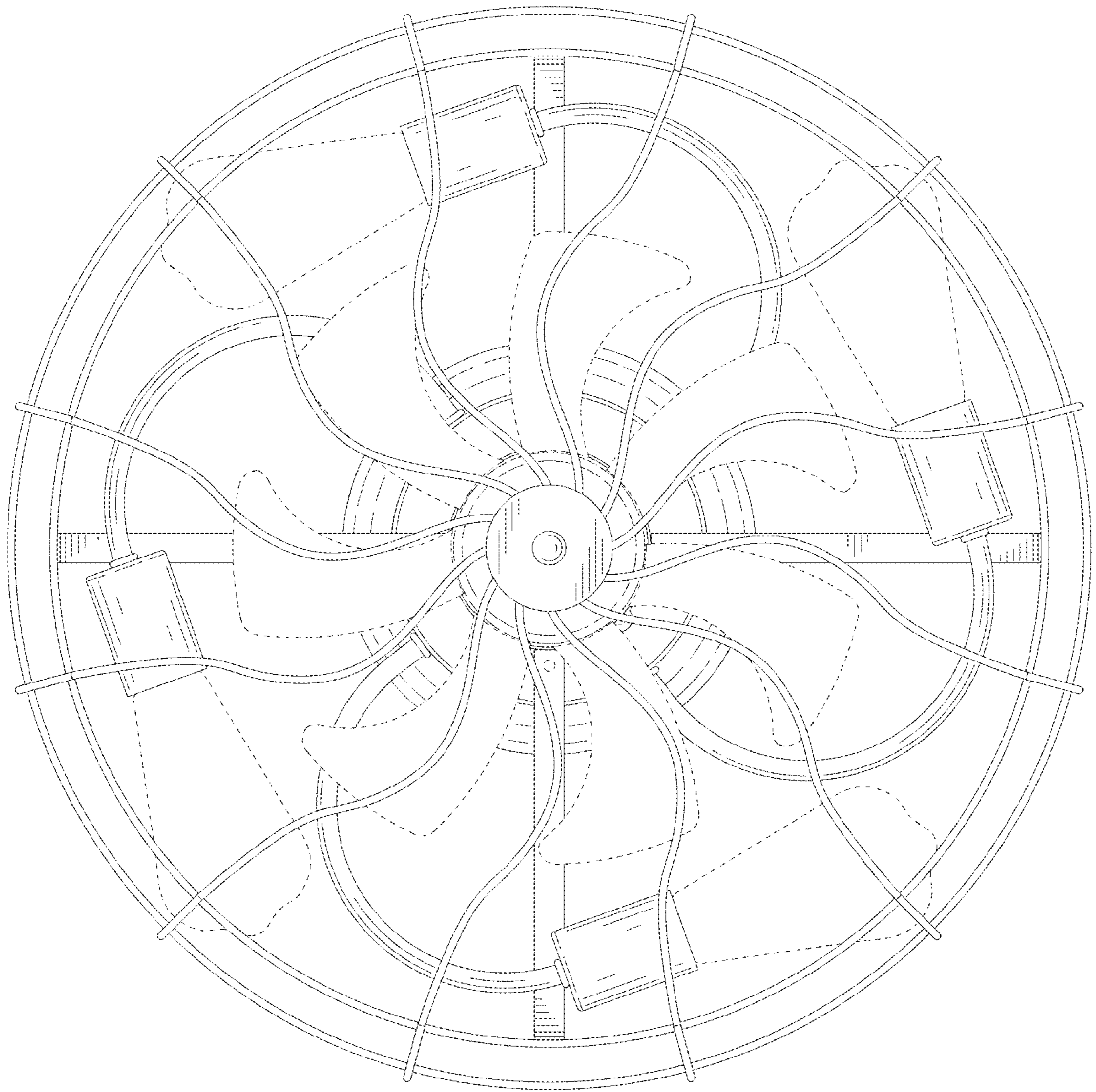


FIG. 8