



US00D963220S

(12) **United States Design Patent**  
**Zhang**

(10) **Patent No.:** **US D963,220 S**  
(45) **Date of Patent:** **\*\* Sep. 6, 2022**

(54) **FLASHLIGHT**  
(71) Applicant: **Lei Zhang**, Zhengzhou (CN)  
(72) Inventor: **Lei Zhang**, Zhengzhou (CN)  
(\*\*) Term: **15 Years**  
(21) Appl. No.: **29/747,514**

D849,296 S \* 5/2019 Inskeep ..... D26/45  
D923,839 S \* 6/2021 Tschopp ..... D26/45  
D939,743 S \* 12/2021 Yang ..... F21L 4/00  
D26/37

FOREIGN PATENT DOCUMENTS

CN 306425714 \* 3/2021

OTHER PUBLICATIONS

Bigsun LED Rechargeable Spotlight. By Bigsun. Dated Apr. 22, 2019. Found online [Apr. 5, 2022]. <https://www.amazon.com/BIGSUN-Rechargeable-Spotlight-Flashlight-Attachments/dp/B07Q5D9XFP>(Year: 2019).\*  
Anlook Rechargeable Spotlight. By anlook. Dated Aug. 21, 2021. Found online [Apr. 5, 2022]. <https://www.amazon.com/Flashlight-Rechargeable-Waterproof-Searchlight-Torchlight/dp/B08ZSW1CPQ> (Year: 2021).\*

\* cited by examiner

*Primary Examiner* — Marissa J Cash  
*Assistant Examiner* — William B Melliar

(57) **CLAIM**

The ornamental design for a flashlight, as shown and described.

**DESCRIPTION**

FIG. 1 is a front elevational view of the Flashlight showing my new design;  
FIG. 2 is a rear elevational view thereof;  
FIG. 3 is a left side elevational view thereof;  
FIG. 4 is a right side elevational view thereof;  
FIG. 5 is a top plan view thereof;  
FIG. 6 is a bottom plan view thereof;  
FIG. 7 is a front, top perspective view thereof;  
FIG. 8 is a front, left side perspective view thereof; and,  
FIG. 9 is a front, right side perspective view thereof.  
The broken lines in the drawings depict portions of the flashlight that form no part of the claimed design.

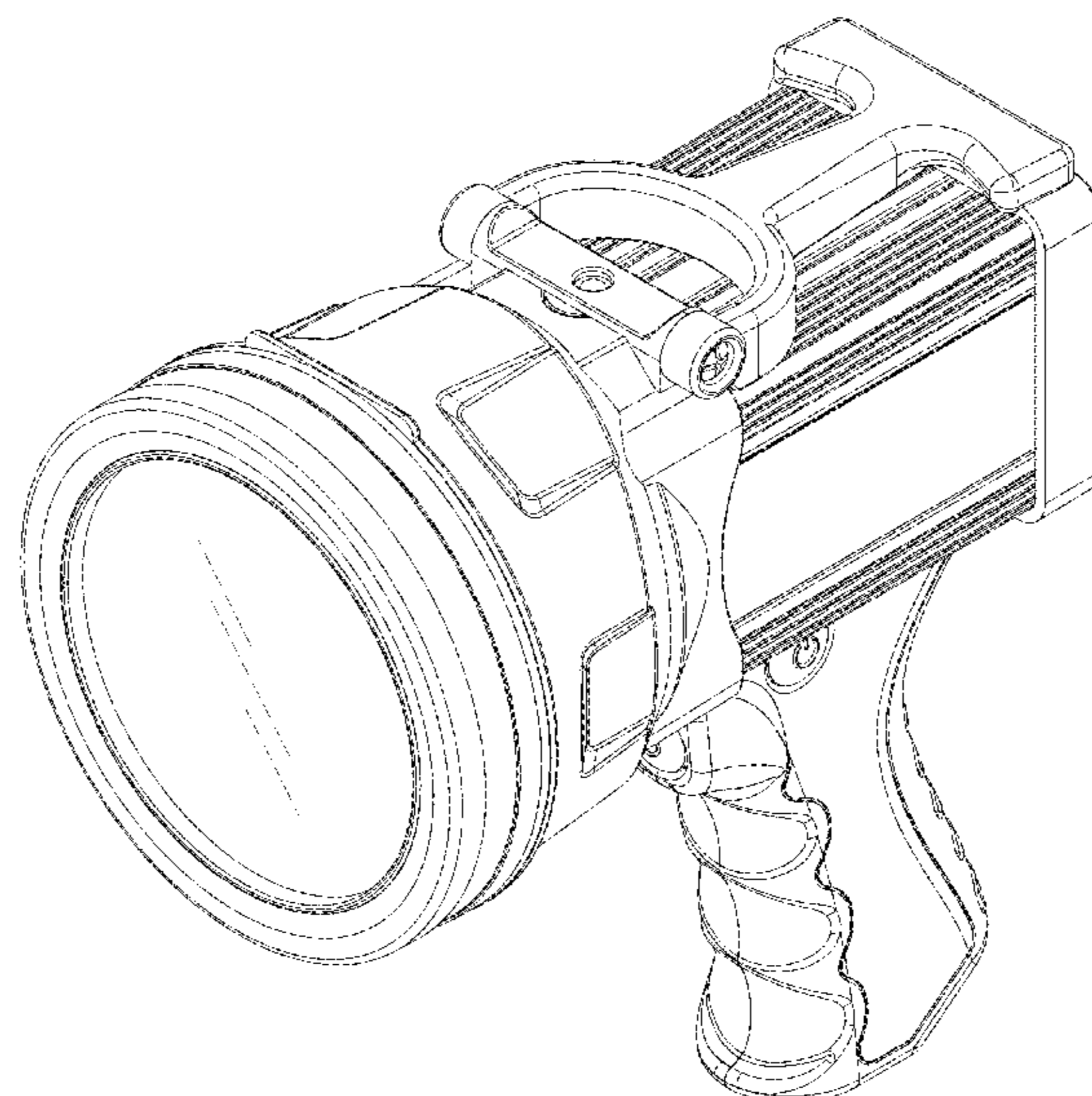
**1 Claim, 9 Drawing Sheets**

(22) Filed: **Aug. 24, 2020**  
(51) **LOC (13) Cl.** ..... **26-02**  
(52) **U.S. Cl.**  
USPC ..... **D26/45**  
(58) **Field of Classification Search**  
USPC ..... D26/24, 37-52, 113, 138  
CPC ..... F21Y 2115/10; F21Y 2101/00; F21Y 2113/13; F21Y 2113/17; F21Y 2103/10; F21V 23/0414; F21V 15/01; F21V 21/0885; F21V 14/045; F21V 14/025; F21V 21/145; F21V 21/406; F21V 19/02; F21V 21/0965; F21V 5/006; F21V 21/08; F21V 21/30; F21V 14/065; F21V 33/0064; F21V 23/0407; F21V 5/04; F21V 7/0075; F21V 9/083; F21V 13/045; F21V 33/0004; F21V 19/006; F21V 17/04; F21L 4/005; F21L 4/027; F21L 4/00; F21L 4/085; F21L 4/045; F21L 2001/00  
See application file for complete search history.

(56) **References Cited**

U.S. PATENT DOCUMENTS

D462,470 S \* 9/2002 Krieger ..... D26/45  
D525,735 S \* 7/2006 Krieger ..... D26/45  
D603,540 S \* 11/2009 Shum ..... D26/45  
D628,326 S \* 11/2010 Ng ..... D26/45  
D702,383 S \* 4/2014 Inskeep ..... D26/45  
D711,029 S \* 8/2014 Schnell ..... D26/45  
D754,380 S \* 4/2016 Inskeep ..... D26/45  
D788,341 S \* 5/2017 Inskeep ..... D26/45



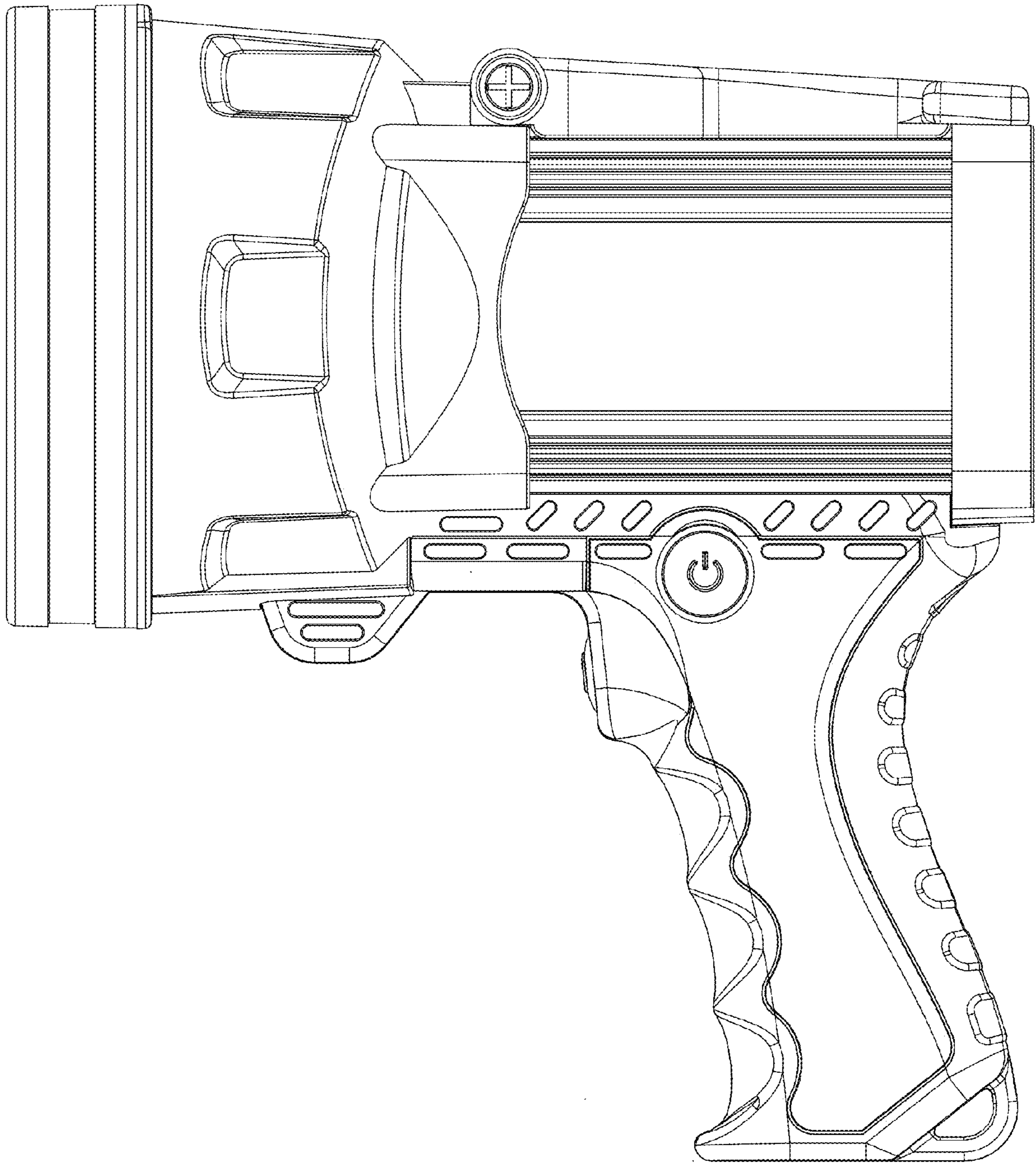


FIG. 1

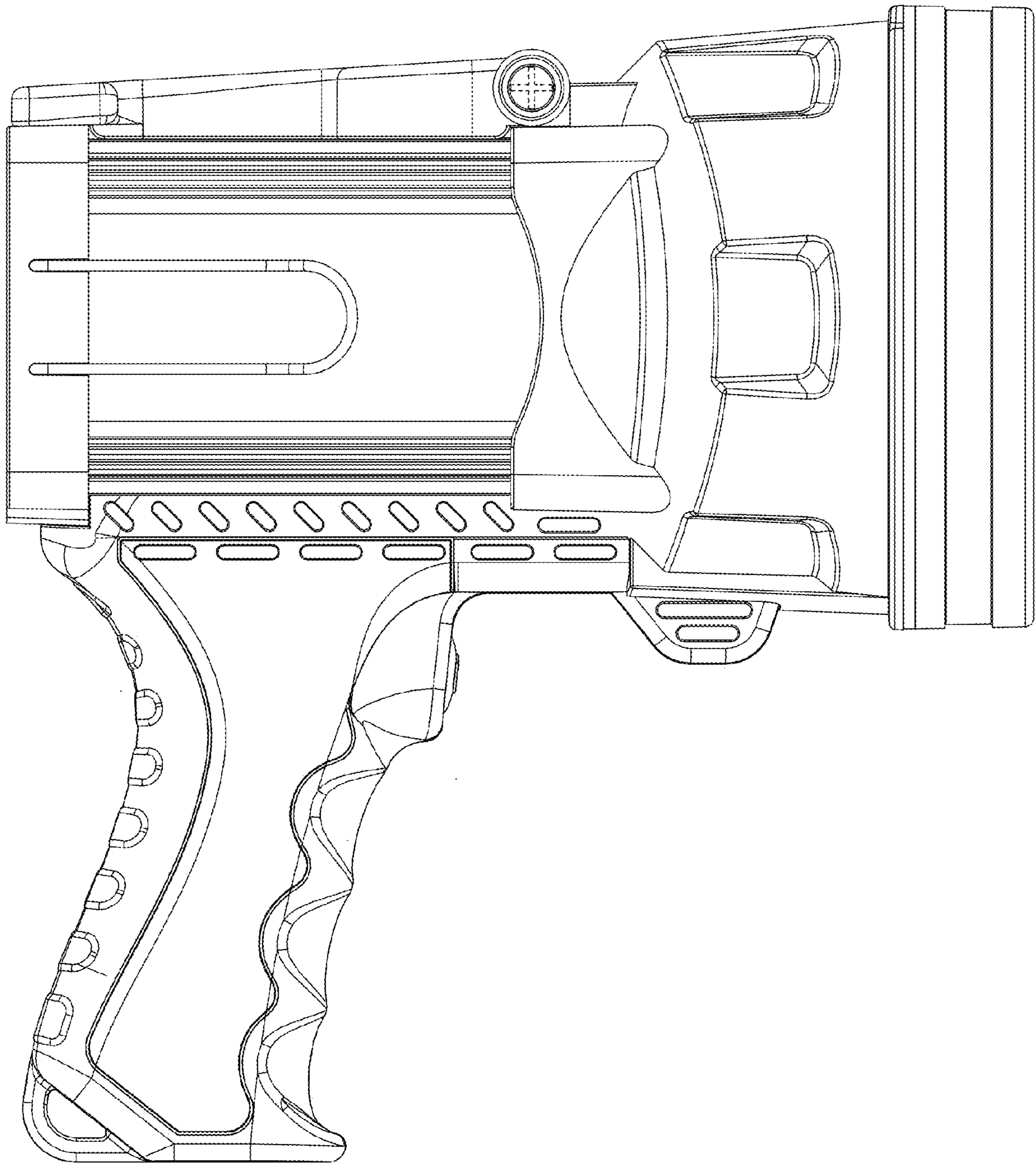


FIG. 2

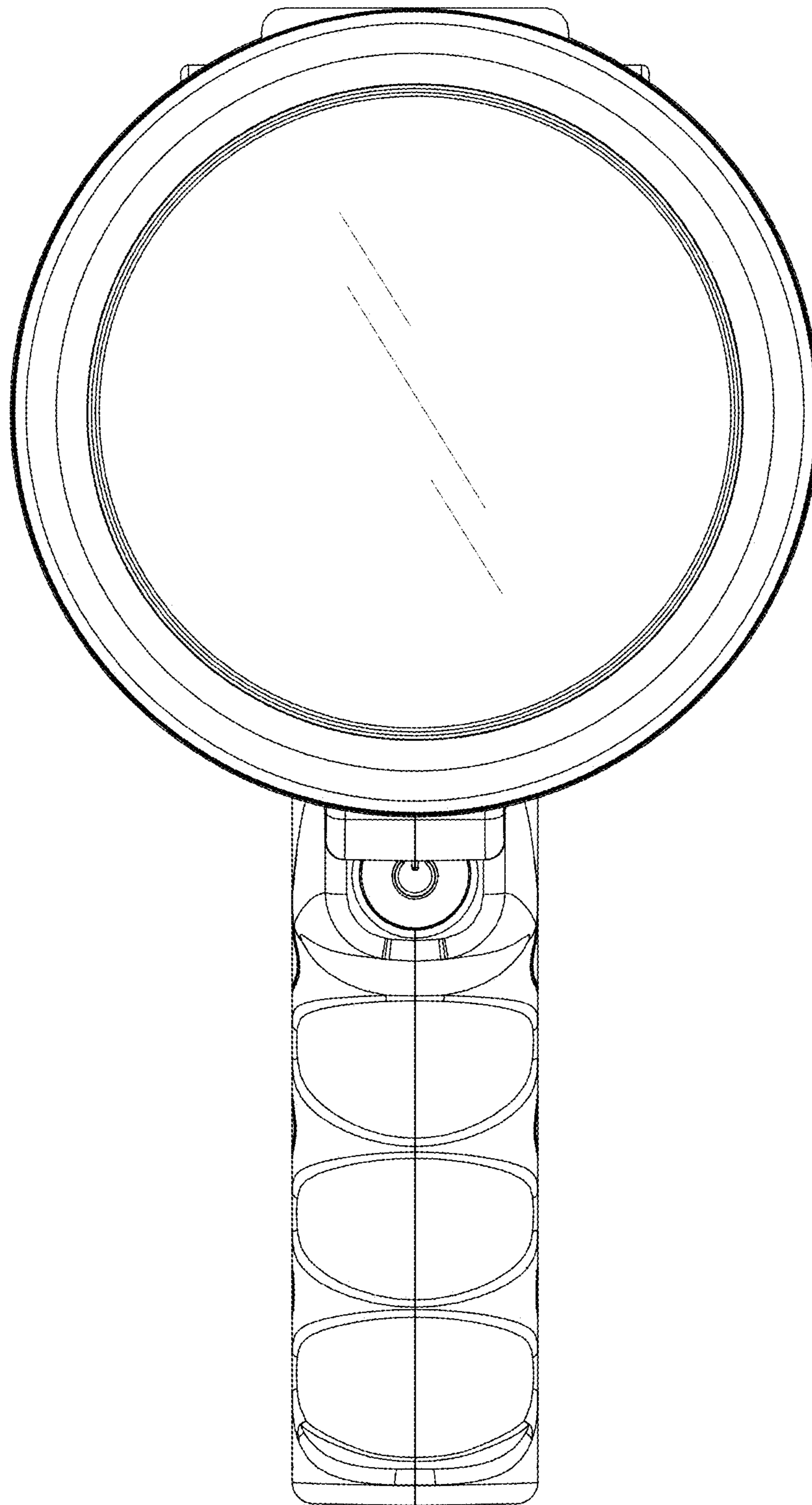


FIG. 3

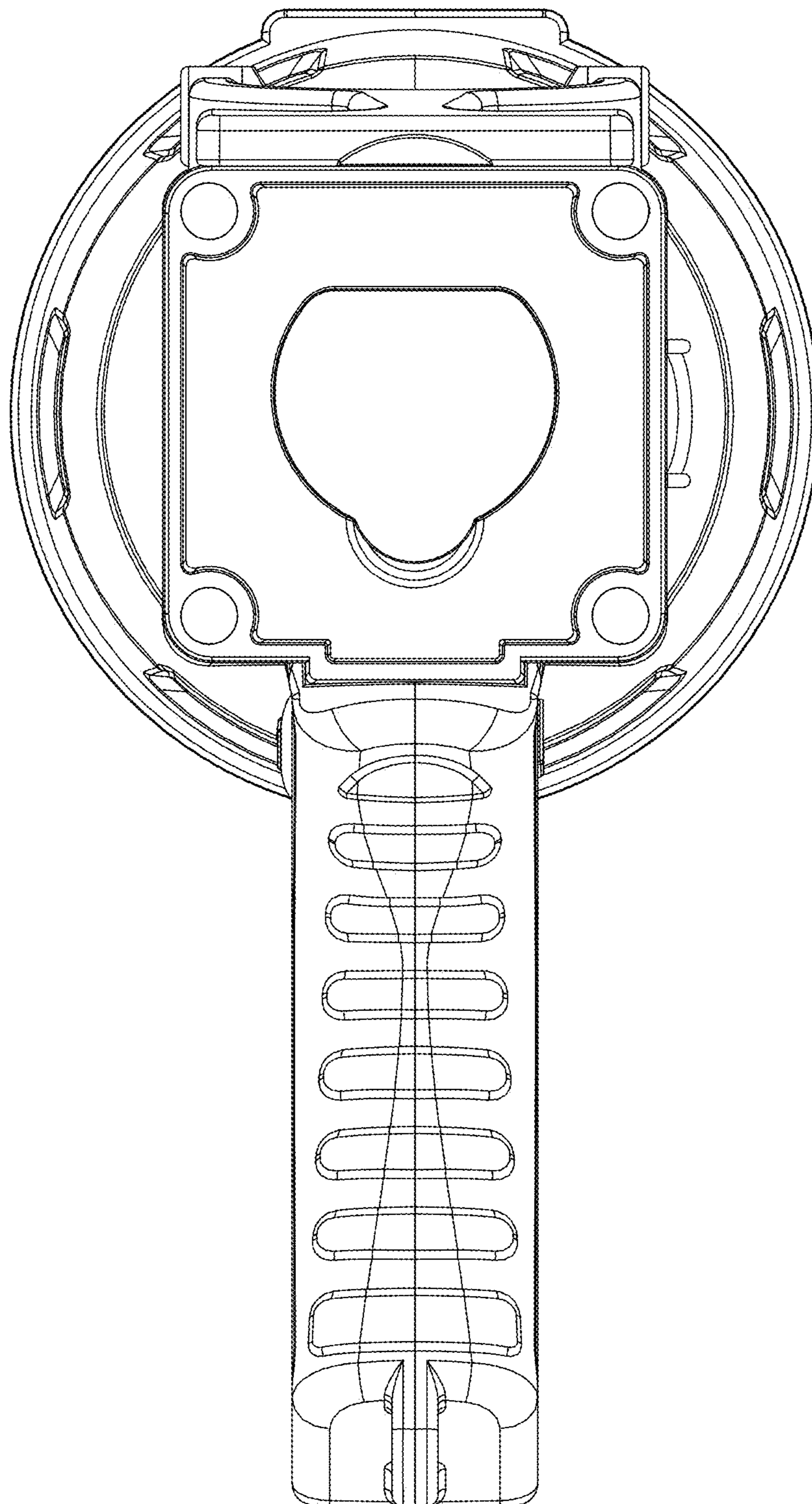


FIG. 4

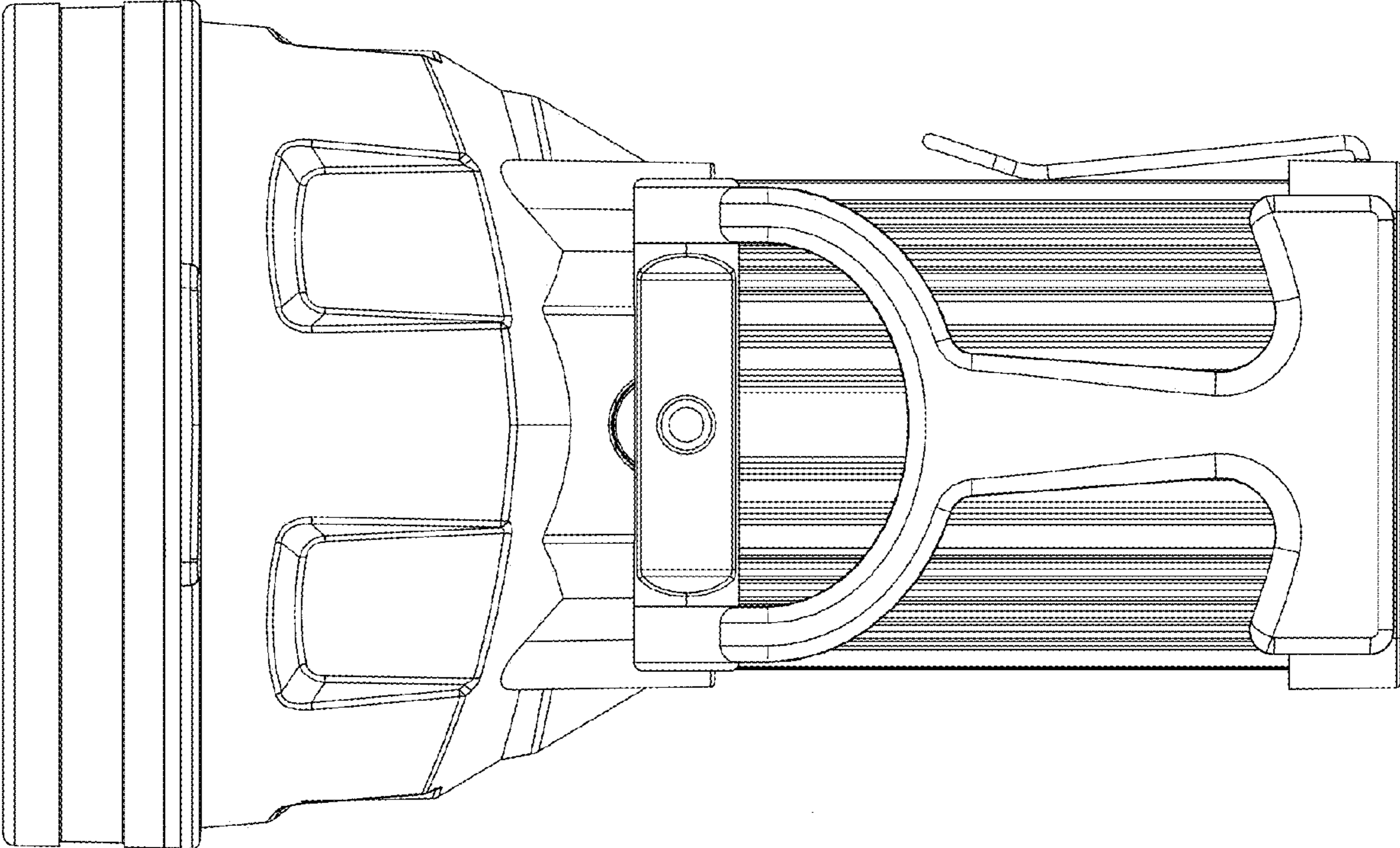


FIG. 5

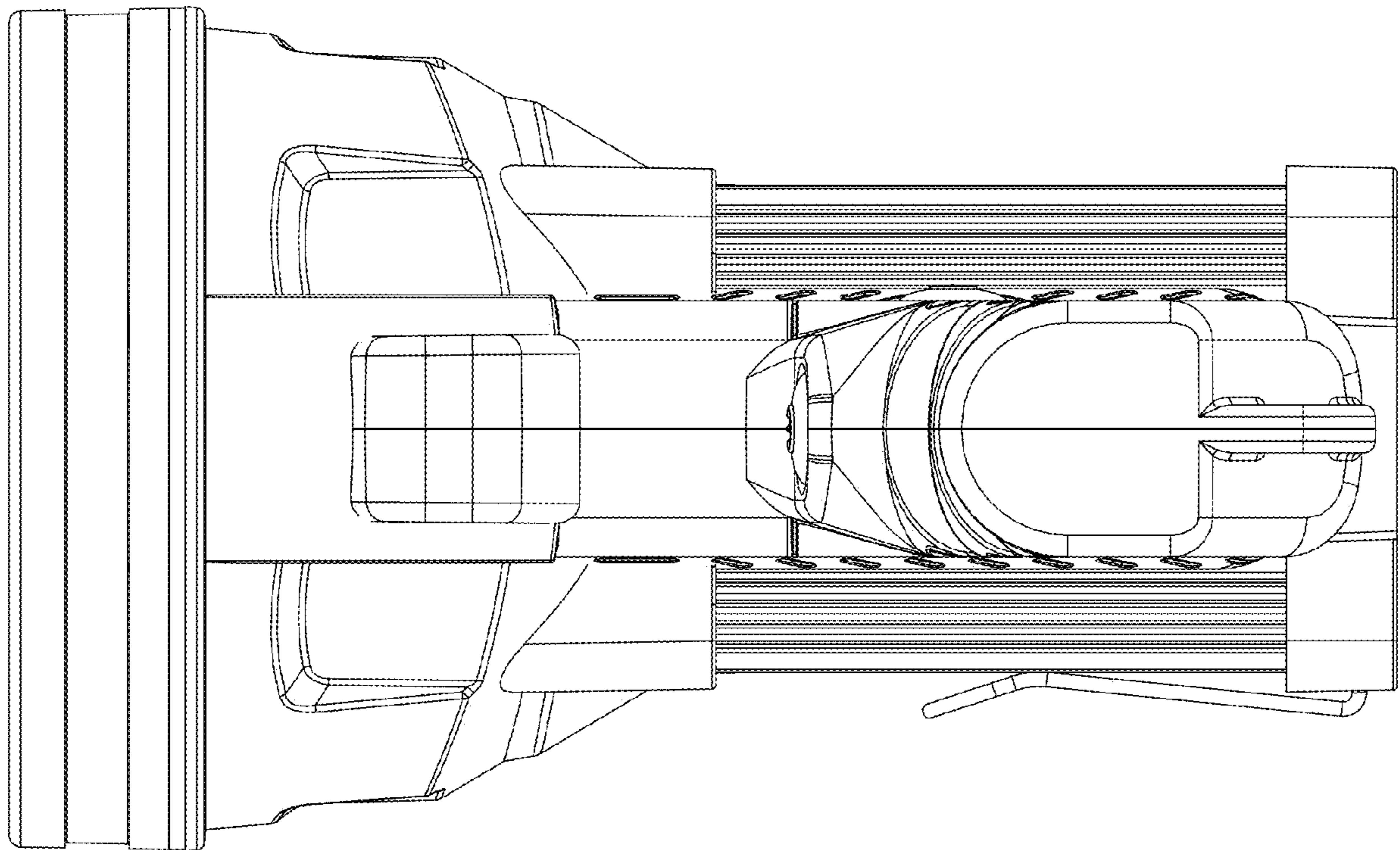


FIG. 6

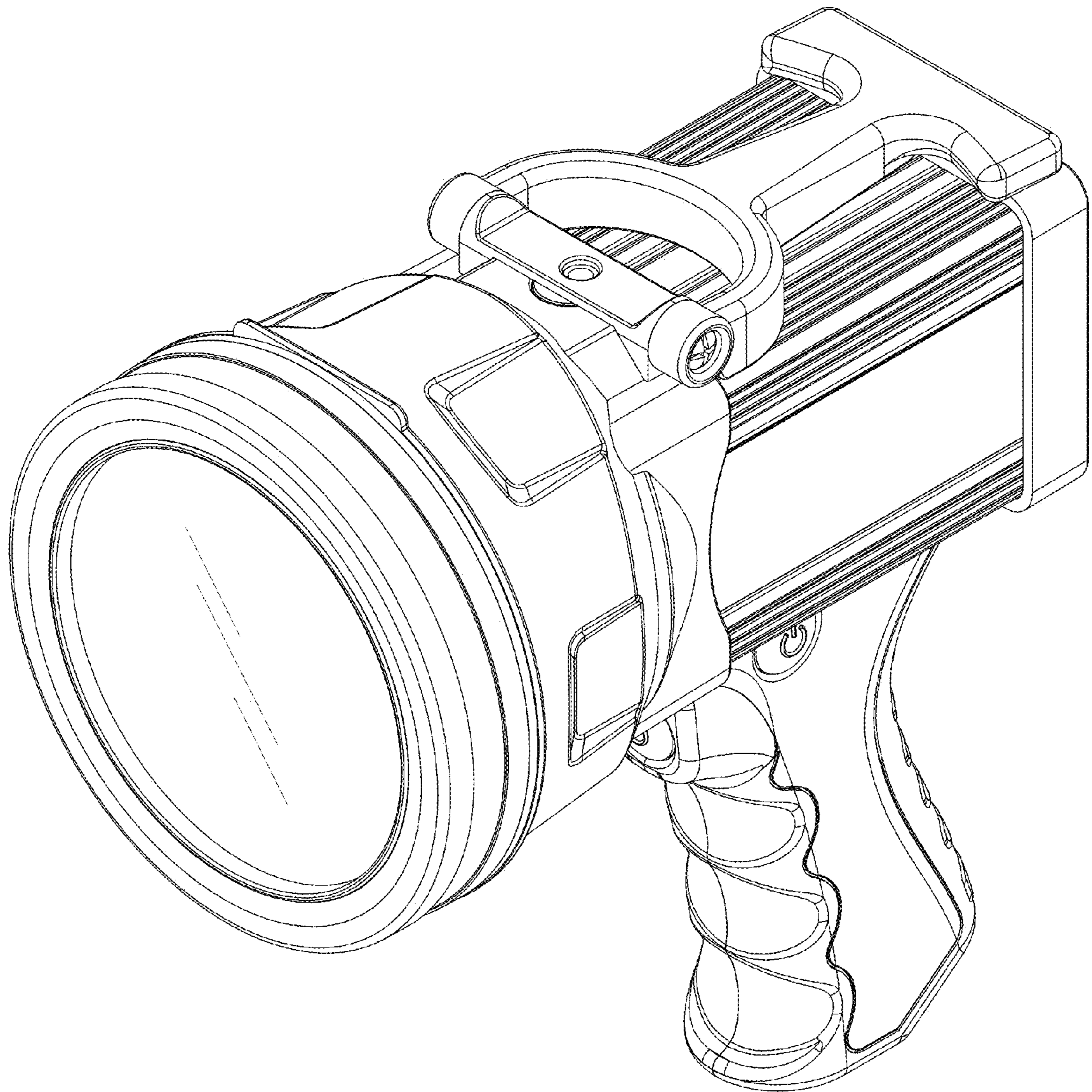


FIG. 7



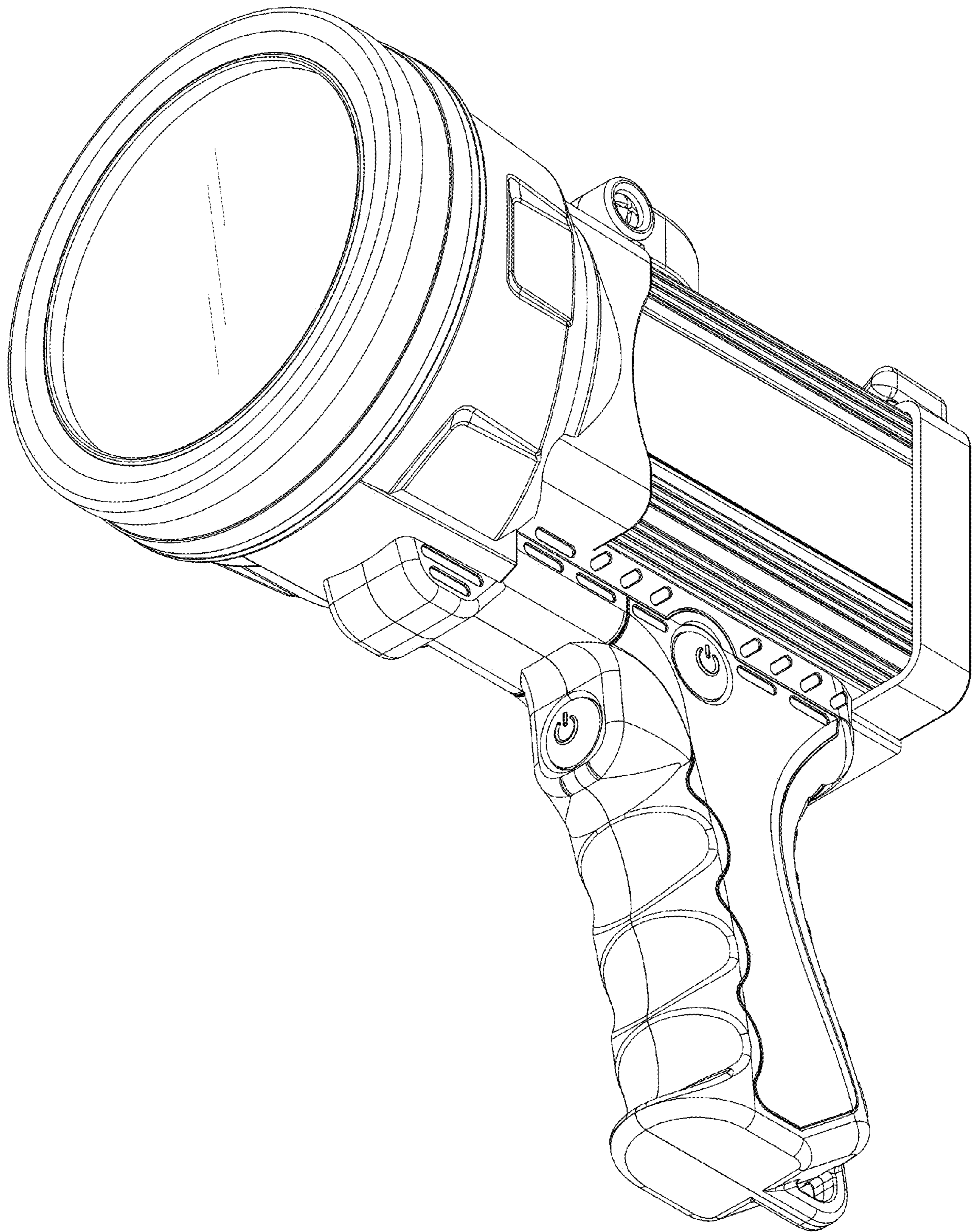


FIG. 8

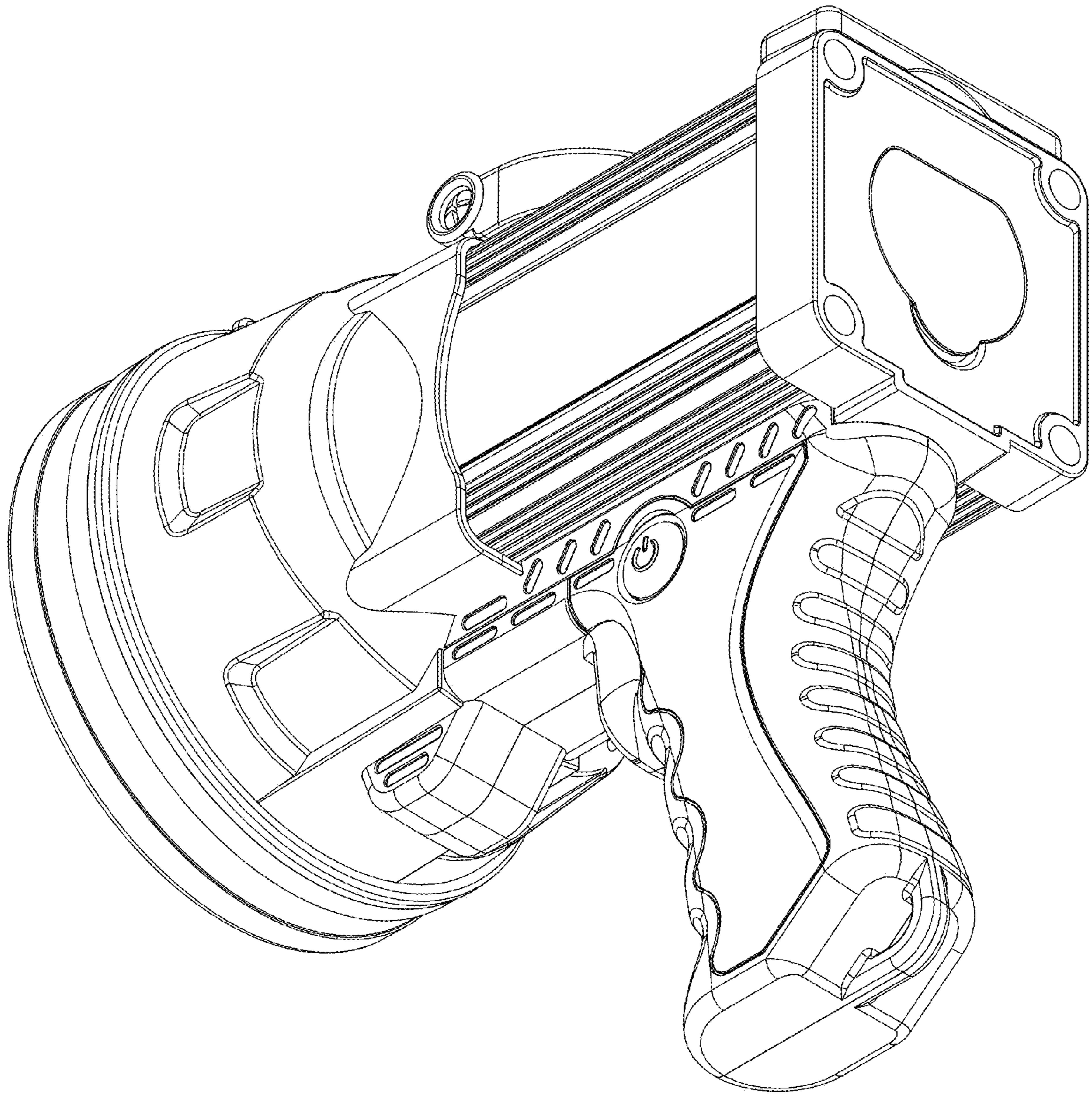


FIG. 9