



US00D963219S

(12) **United States Design Patent** (10) **Patent No.:** **US D963,219 S**
Wang (45) **Date of Patent:** **** Sep. 6, 2022**

(54) **SOLAR LANTERN**

D915,640 S * 4/2021 Qin D26/24
D923,837 S * 6/2021 Ye D26/40
D935,070 S * 11/2021 Chen D26/37

(71) Applicant: **QUANZHOU GUANMING TECHNOLOGY CO., LTD.**,
Quanzhou (CN)

FOREIGN PATENT DOCUMENTS

(72) Inventor: **Xiaoqiong Wang**, Quanzhou (CN)

CN 306858205 * 9/2021
CN 306858207 * 9/2021
CN 306858208 * 9/2021

(**) Term: **15 Years**

OTHER PUBLICATIONS

(21) Appl. No.: **29/749,500**

Solar Lanterns Outdoor. By OxyLED. Dated May 27, 2020. Found online [Jan. 3, 2022], <https://www.amazon.com/OxyLED-Lanterns-Waterproof-Decorative-Christmas/dp/B08979PLDR> (Year: 2020).*

(22) Filed: **Sep. 5, 2020**

(51) **LOC (13) Cl.** **26-02**

(52) **U.S. Cl.**
USPC **D26/40**

* cited by examiner

(58) **Field of Classification Search**
USPC D26/24, 37-52, 60, 72, 80-81, 88, 93,
D26/104-107, 113, 118-120, 138
CPC F21L 4/00; F21L 19/00; F21V 15/012;
F21V 17/02; F21V 7/0008; F21V 37/00;
F21W 2111/10; F21Y 2115/10; F24C
3/14; F24C 5/20

Primary Examiner — Marissa J Cash
Assistant Examiner — William B Melliar

See application file for complete search history.

(57) **CLAIM**

The ornamental design for a solar lantern, as shown and described.

DESCRIPTION

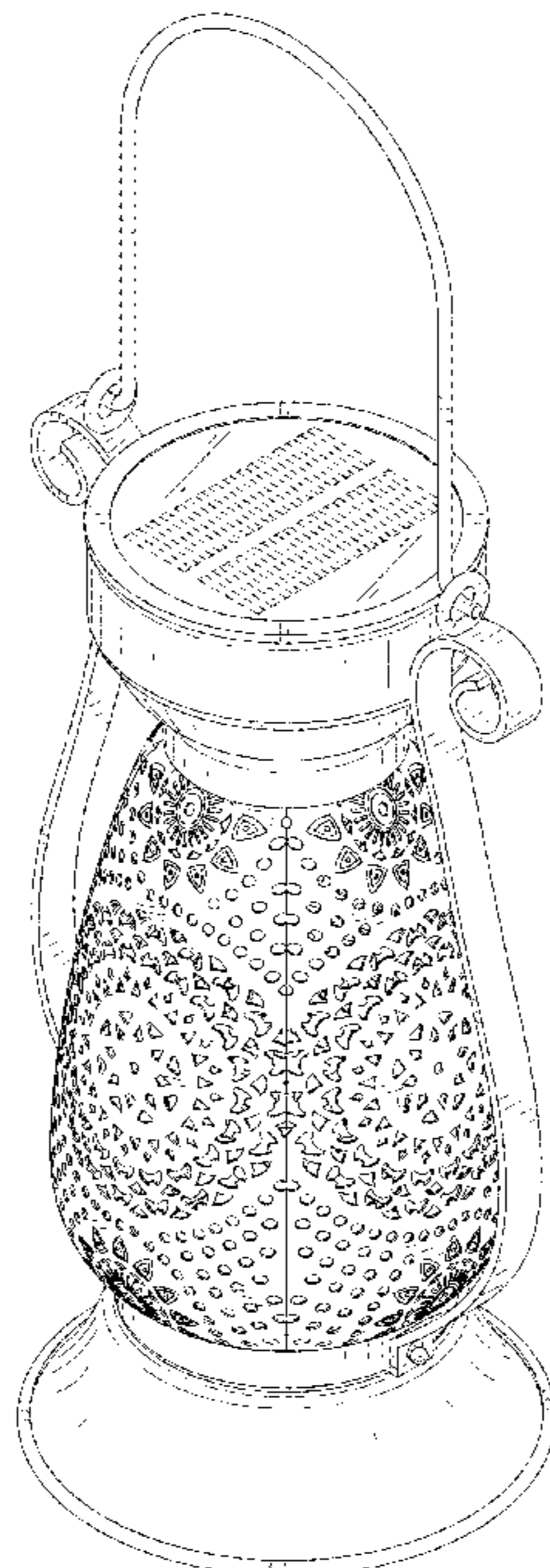
(56) **References Cited**

U.S. PATENT DOCUMENTS

D1,549 S * 3/1862 Miller D26/41
D37,269 S * 12/1904 Paull D9/653
D560,010 S * 1/2008 Kwok D26/40
D591,895 S * 5/2009 Sabernig D26/105
D619,295 S * 7/2010 Lee D26/104
D841,208 S * 2/2019 Calvo Lopez D26/40
D845,527 S * 4/2019 Hsu D26/41
D886,344 S * 6/2020 Ho D26/41
D888,306 S * 6/2020 Ho D26/41
D903,173 S * 11/2020 Zhu D26/41

FIG. 1 is a front, right side, top perspective view of a solar lantern showing my new design;
FIG. 2 is a front elevational view thereof;
FIG. 3 is a rear elevational view thereof;
FIG. 4 is a left side elevational view thereof;
FIG. 5 is a right side elevational view thereof;
FIG. 6 is a top plan view thereof; and,
FIG. 7 is a bottom plan view thereof.
The broken lines depict portions of the solar lantern that form no part of the claimed design.

1 Claim, 7 Drawing Sheets



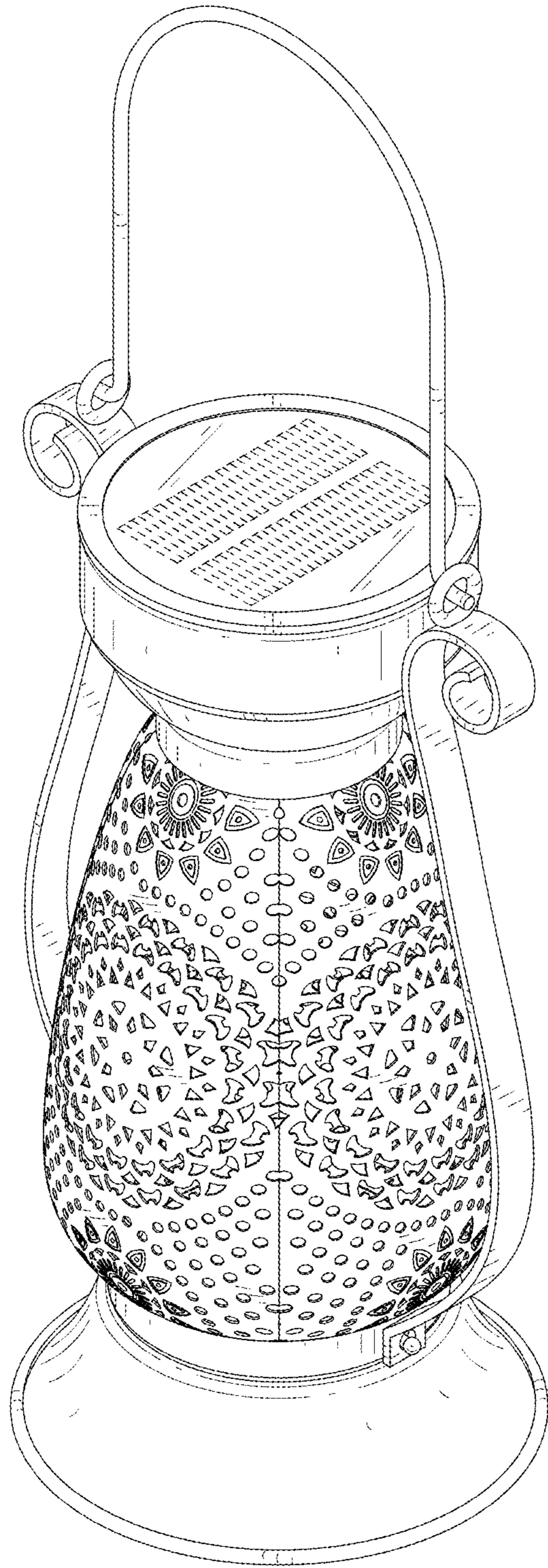


FIG. 1

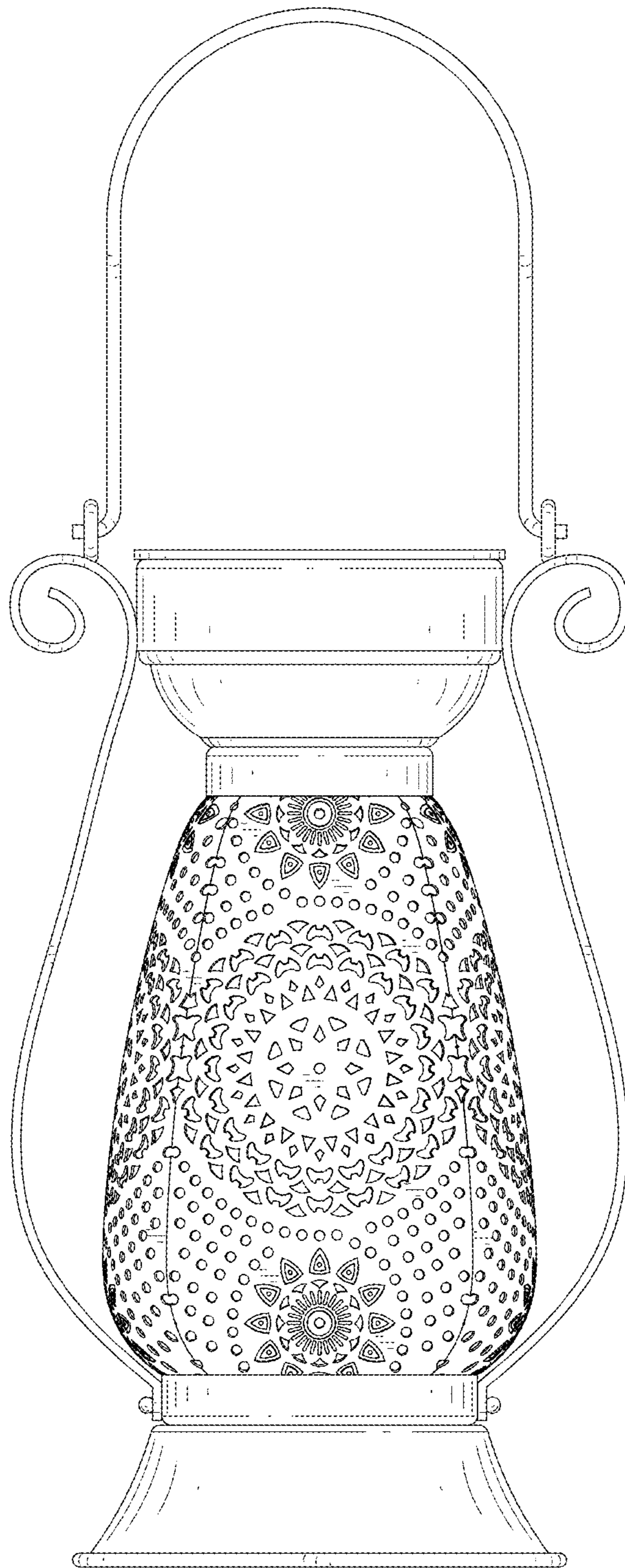


FIG. 2

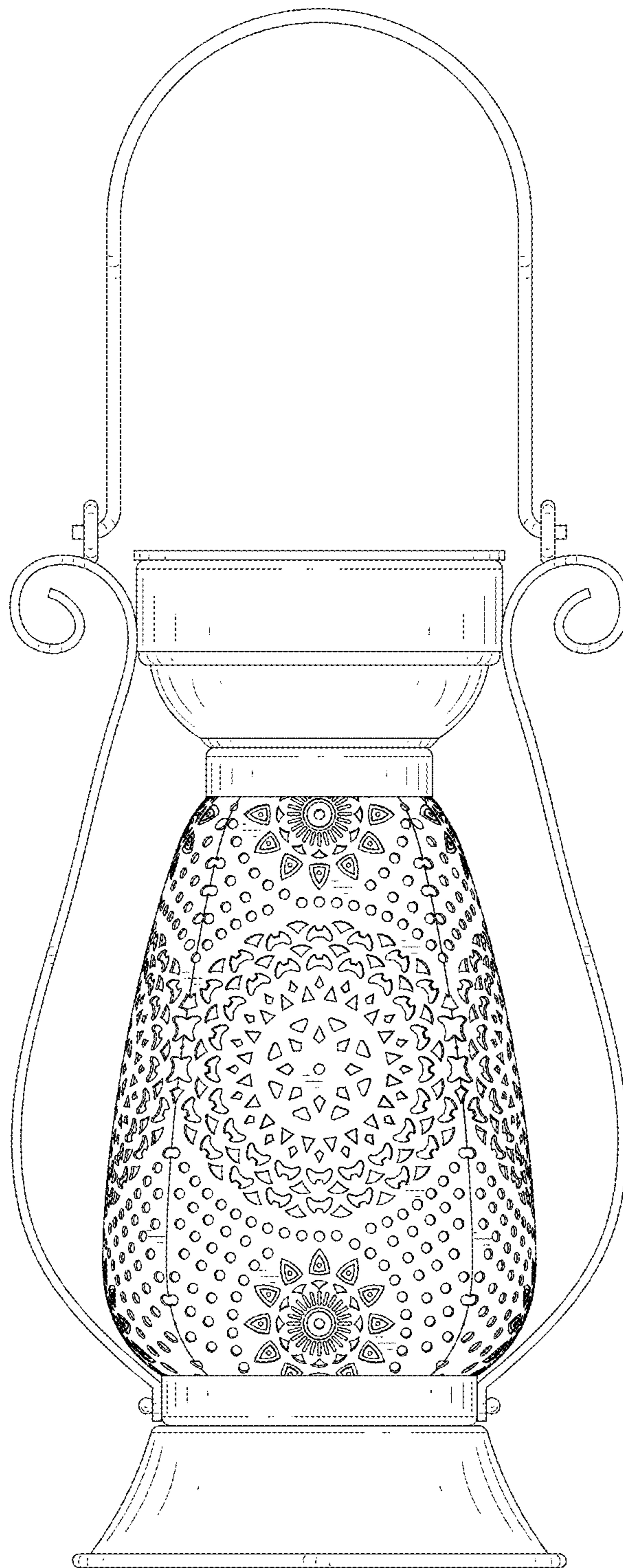


FIG. 3

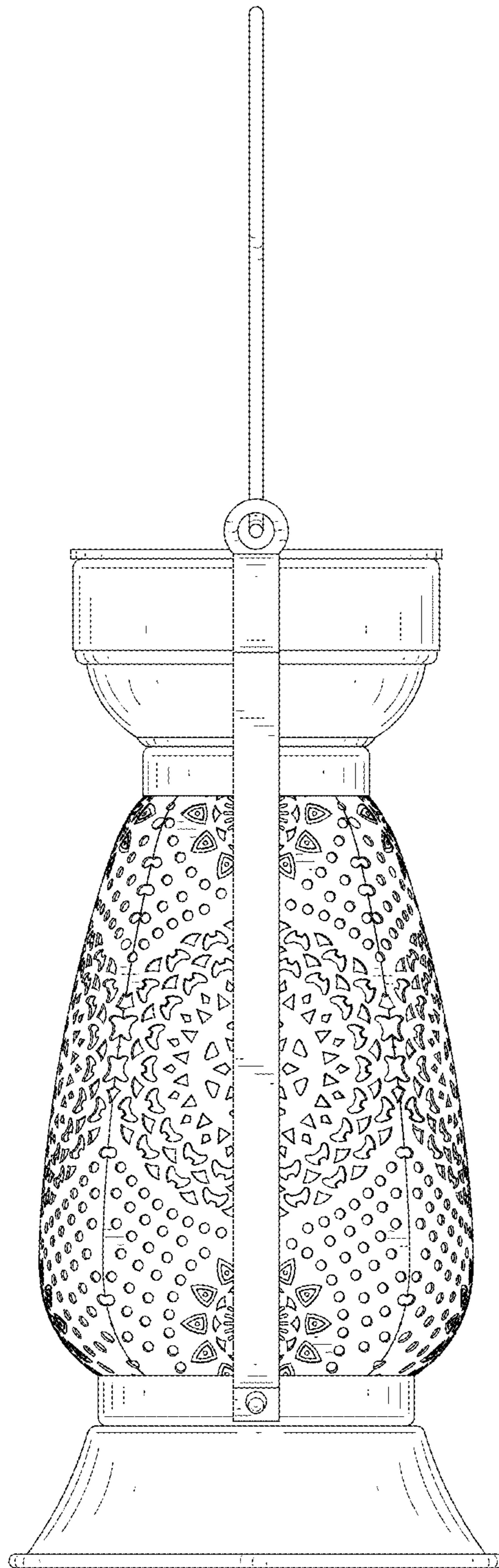


FIG. 4

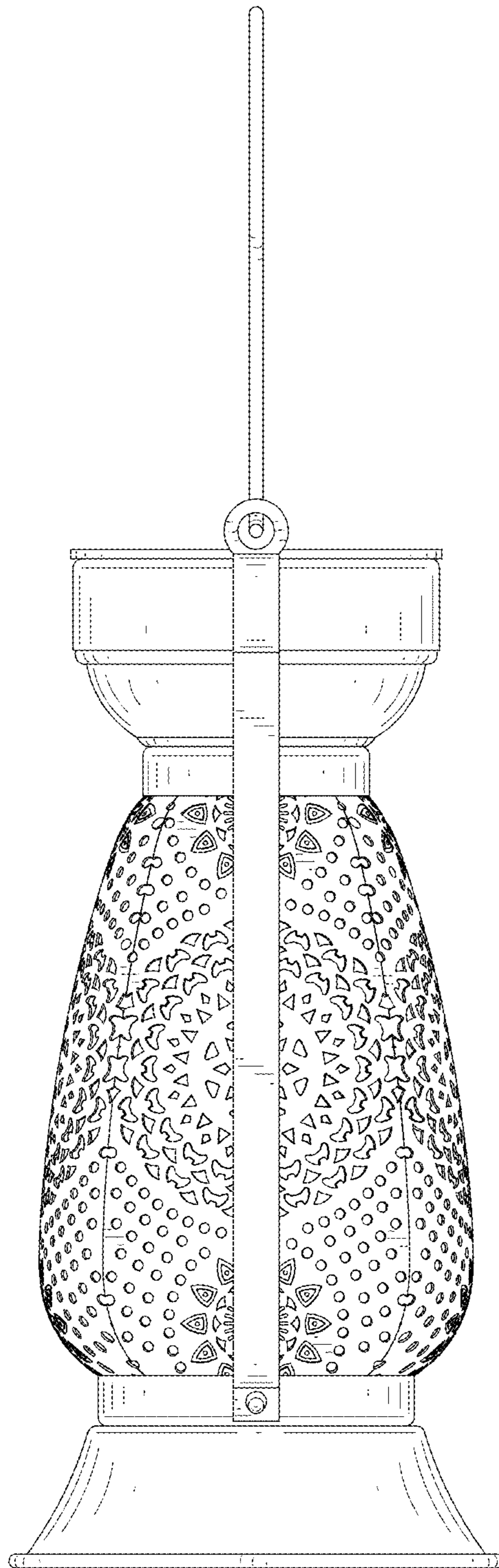


FIG. 5

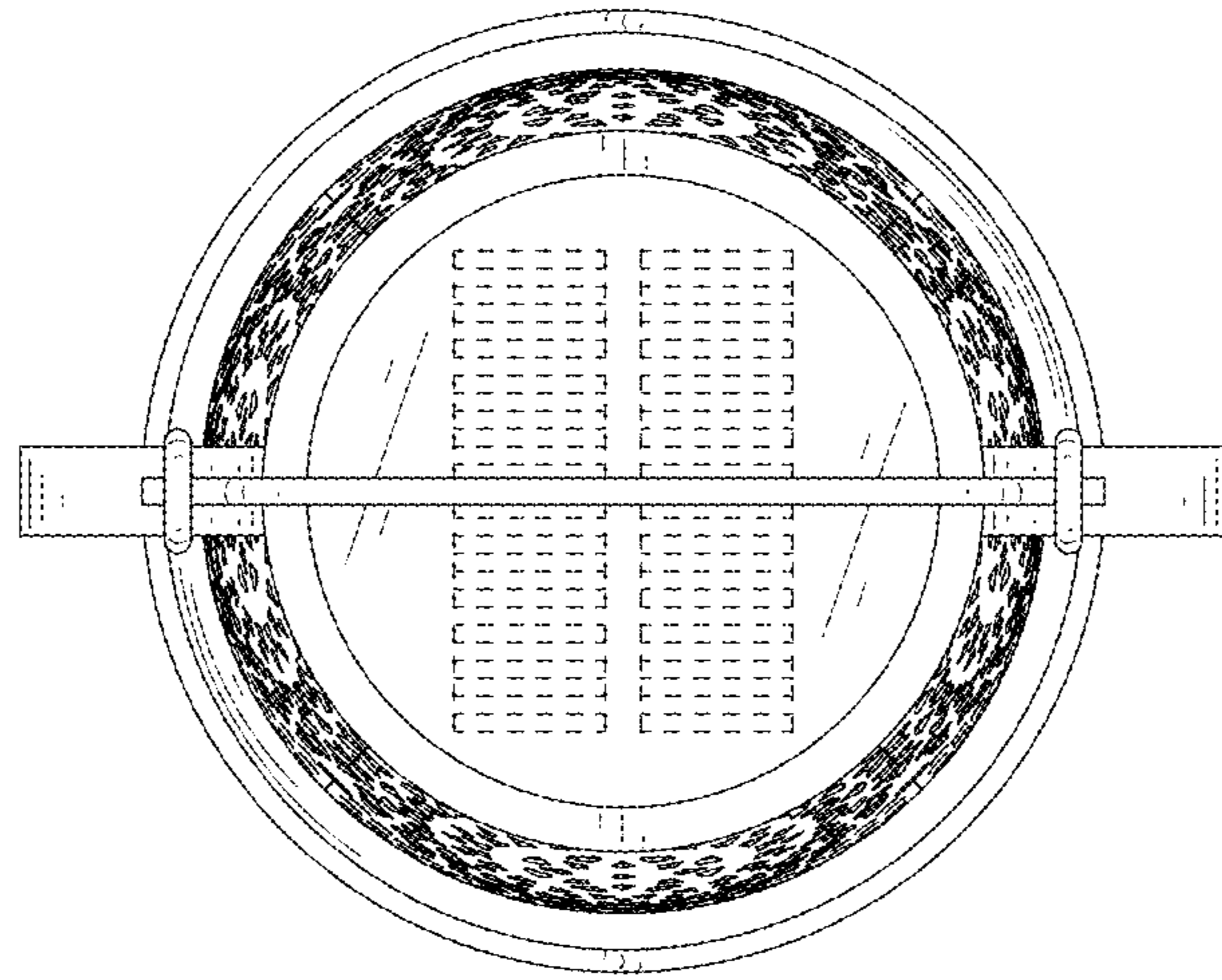


FIG. 6

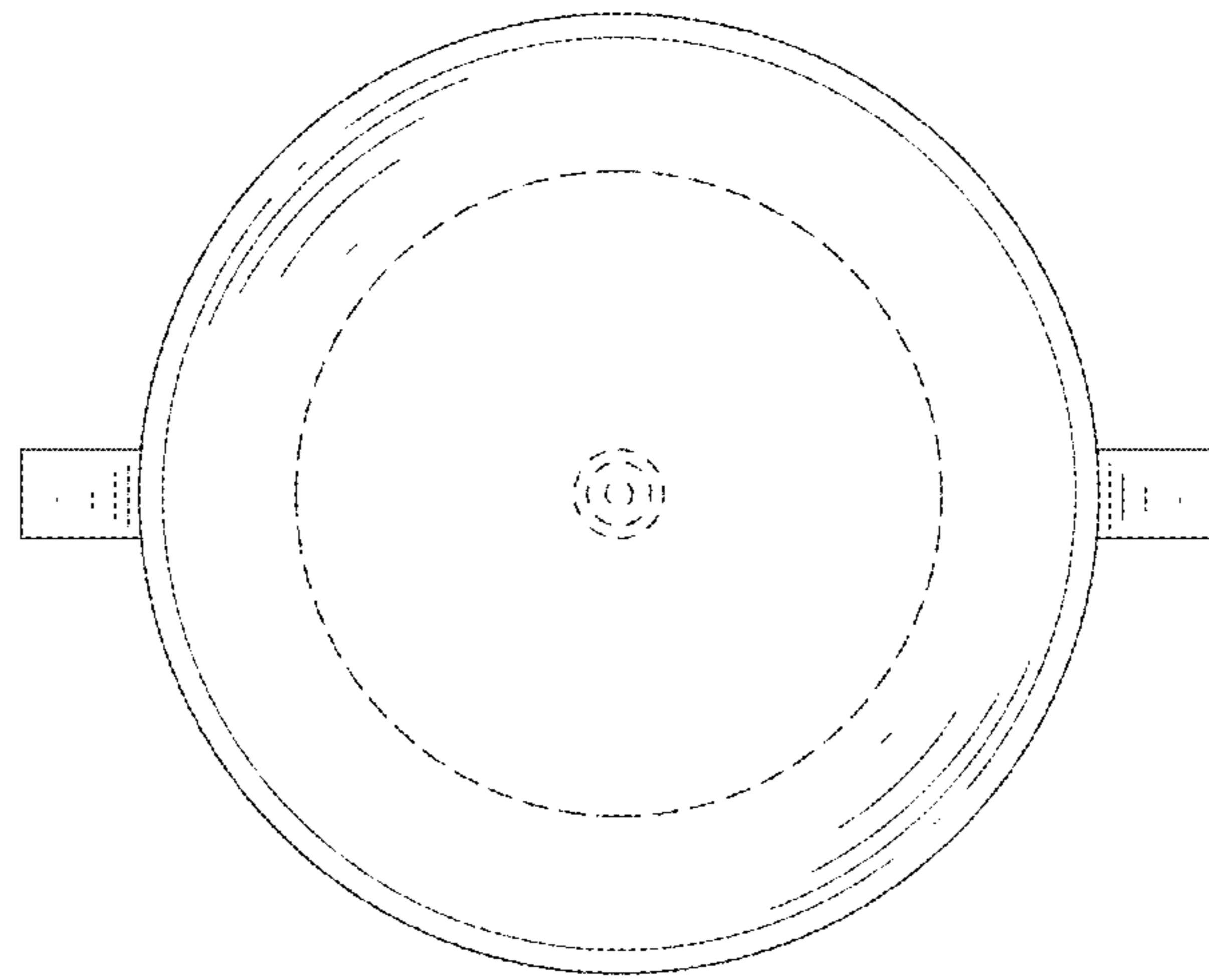


FIG. 7