



US00D963218S

(12) **United States Design Patent**  
**Sharrah**

(10) **Patent No.:** **US D963,218 S**

(45) **Date of Patent:** **\*\* Sep. 6, 2022**

(54) **LIGHTING DEVICE**

(71) Applicant: **Streamlight, Inc.**, Eagleville, PA (US)

(72) Inventor: **Raymond L. Sharrah**, Collegeville, PA (US)

(73) Assignee: **Streamlight, Inc.**, Eagleville, PA (US)

(\*\*) Term: **15 Years**

(21) Appl. No.: **29/760,394**

(22) Filed: **Dec. 1, 2020**

(51) **LOC (13) Cl.** ..... **26-02**

(52) **U.S. Cl.**  
USPC ..... **D26/38**

(58) **Field of Classification Search**  
USPC ..... D26/24, 37-52, 60, 113, 118-120, 138  
See application file for complete search history.

(56) **References Cited**

**U.S. PATENT DOCUMENTS**

D392,756 S *	3/1998	Hanig	.....	D26/26
6,609,811 B1 *	8/2003	Sharrah	.....	E05B 17/103
				362/116
D484,263 S *	12/2003	Kelleghan	.....	D26/37
6,786,616 B1 *	9/2004	Parsons	.....	F21V 23/0414
				362/116
D544,388 S *	6/2007	Chisholm	.....	D10/114.2
D656,651 S *	3/2012	Gorman	.....	D26/47
D766,480 S *	9/2016	Bo	.....	D26/60
D850,680 S *	6/2019	Case	.....	D26/37
2003/0090899 A1 *	5/2003	Galli	.....	F21V 23/0414
				362/200
2005/0018420 A1 *	1/2005	Parsons	.....	F21L 4/027
				362/191
2005/0105287 A1 *	5/2005	Tally	.....	F21V 15/01
				362/205
2005/0152138 A1 *	7/2005	Tatebe	.....	F21V 21/08
				362/200

2006/0072308 A1 *	4/2006	Booty	.....	F21V 21/30
				362/190
2006/0176685 A1 *	8/2006	Galli	.....	F21L 4/005
				362/157
2006/0250790 A1 *	11/2006	Mah	.....	F21V 23/0414
				362/157

(Continued)

**OTHER PUBLICATIONS**

Streamlight Pocket Mate. By Streamlight. Dated May 14, 2021. Found online [Mar. 9, 2022]. <https://www.amazon.com/Streamlight-73302-Keychain-Rechargeable-Flashlight/dp/B09351YJFC?th=1> (Year: 2021).\*

(Continued)

*Primary Examiner* — Marissa J Cash

*Assistant Examiner* — William B Melliar

(74) *Attorney, Agent, or Firm* — Quarles & Brady LLP; James J. Aquilina

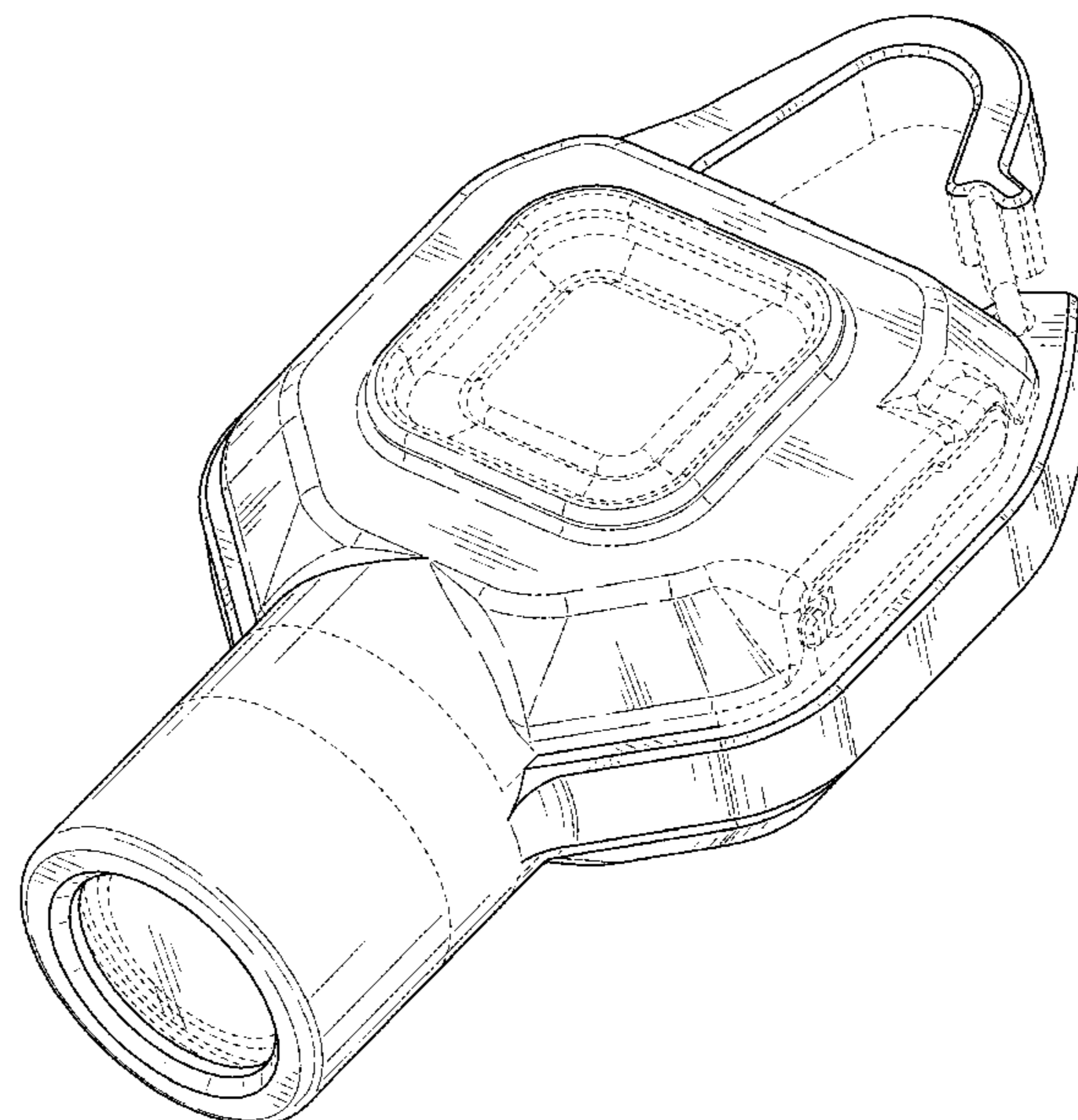
(57) **CLAIM**

The ornamental design for a lighting device, as shown and described.

**DESCRIPTION**

FIG. 1 is a bottom, right, and front perspective view of a lighting device showing my new design; FIG. 2 is a front elevation view thereof; FIG. 3 is a rear elevation view thereof; FIG. 4 is a left side elevation view thereof; FIG. 5 is a right side elevation view thereof; FIG. 6 is a top plan view thereof; FIG. 7 is a bottom plan view thereof; and, FIG. 8 is a top, left, and rear perspective view showing an alternate configuration thereof. The dashed broken lines in the Figures show portions of the lighting device that form no part of the claimed design.

**1 Claim, 5 Drawing Sheets**



(56)

**References Cited**

U.S. PATENT DOCUMENTS

2007/0139917 A1\* 6/2007 Ford ..... F21V 21/0885  
362/208  
2010/0309657 A1\* 12/2010 Purdy ..... F21L 4/005  
362/253  
2018/0031188 A1\* 2/2018 Sharrah ..... F21V 23/06  
2020/0003372 A1\* 1/2020 DeHoog ..... F21V 23/0414

OTHER PUBLICATIONS

SureFire Sidekick. By SureFire. Dated Feb. 23, 2017. Found online [Mar. 9, 2022]. <https://www.amazon.com/Surefire-Sidekick-Rechargeable-Keychain-Flashlight/dp/B01MT328TK> (Year: 2017).\*

4 Pieces LED Keychain Flashlight. By Hohean. Dated Nov. 11, 2021. Found online [Mar. 9, 2022]. <https://www.amazon.com/Keychain-Flashlight-Rechargeable-Batteries-Included/dp/B09PFR1BPB> (Year: 2021).\*

LED Small Flashlight. By Iexall. Dated May 29, 2020. Found online [Mar. 9, 2022]. <https://www.amazon.com/Flashlight-500Lumens-Keychain-Rechargeable-Searching/dp/B089CK26RJ> (Year: 2021).\*

Streamlight 73200 KeyMate USB, Black-35 Lumens; [Retrieved from the internet: <https://www.amazon.com/Streamlight-73200-USB-Keychain-Light/dp/B01N04XRJA>]; retrieved Nov. 18, 2020 (10 pages).

\* cited by examiner

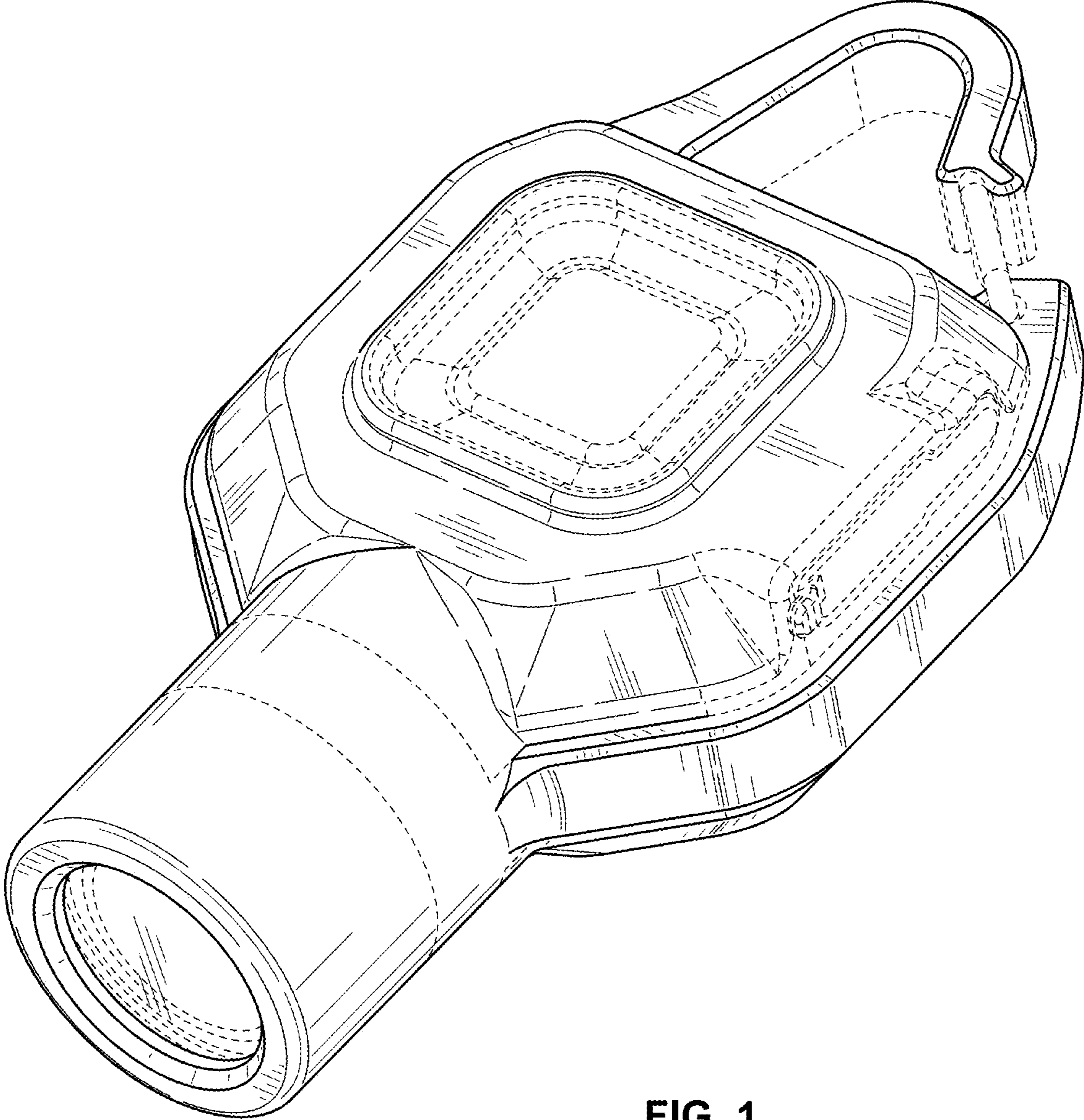


FIG. 1



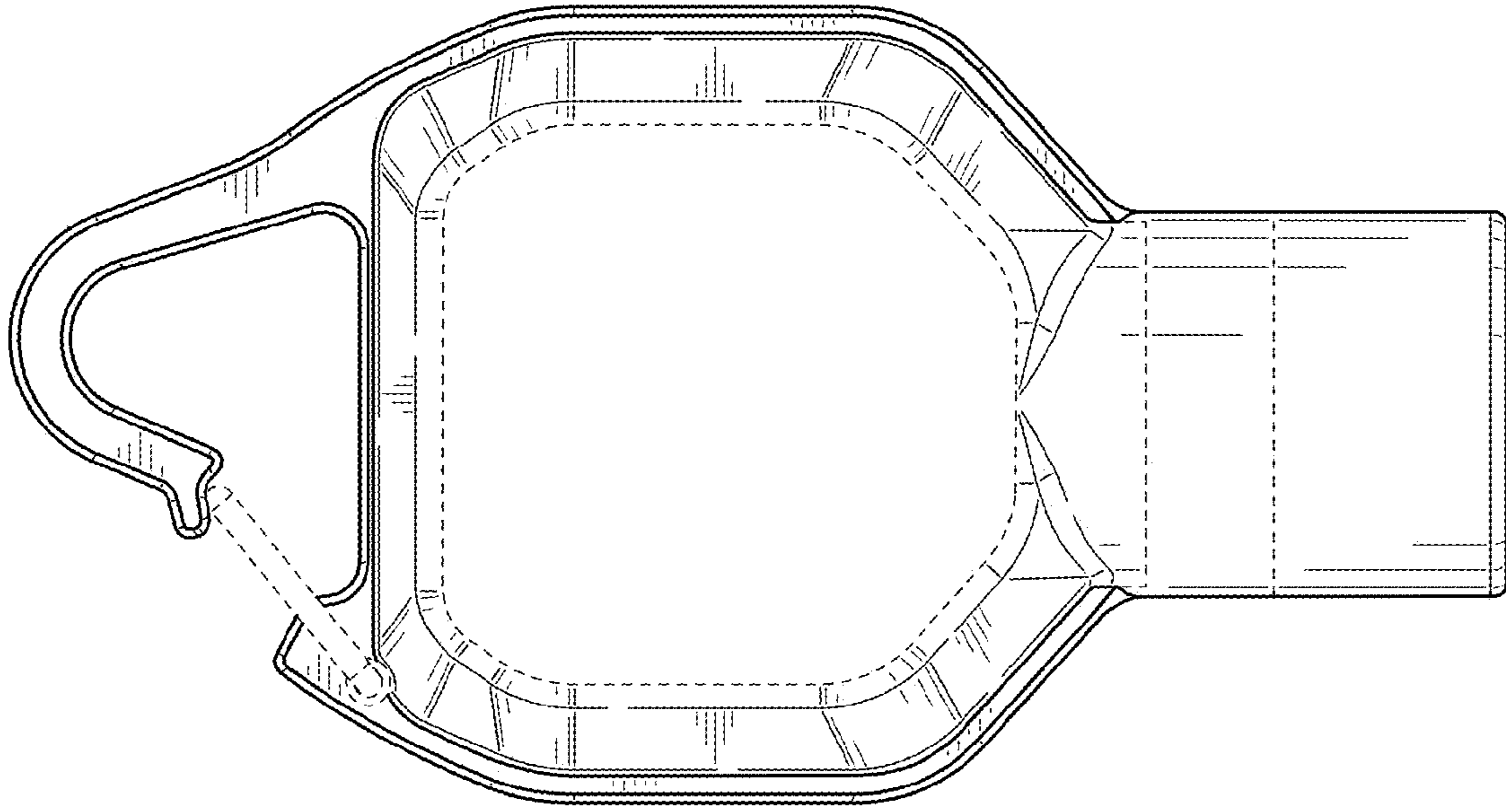


FIG. 2

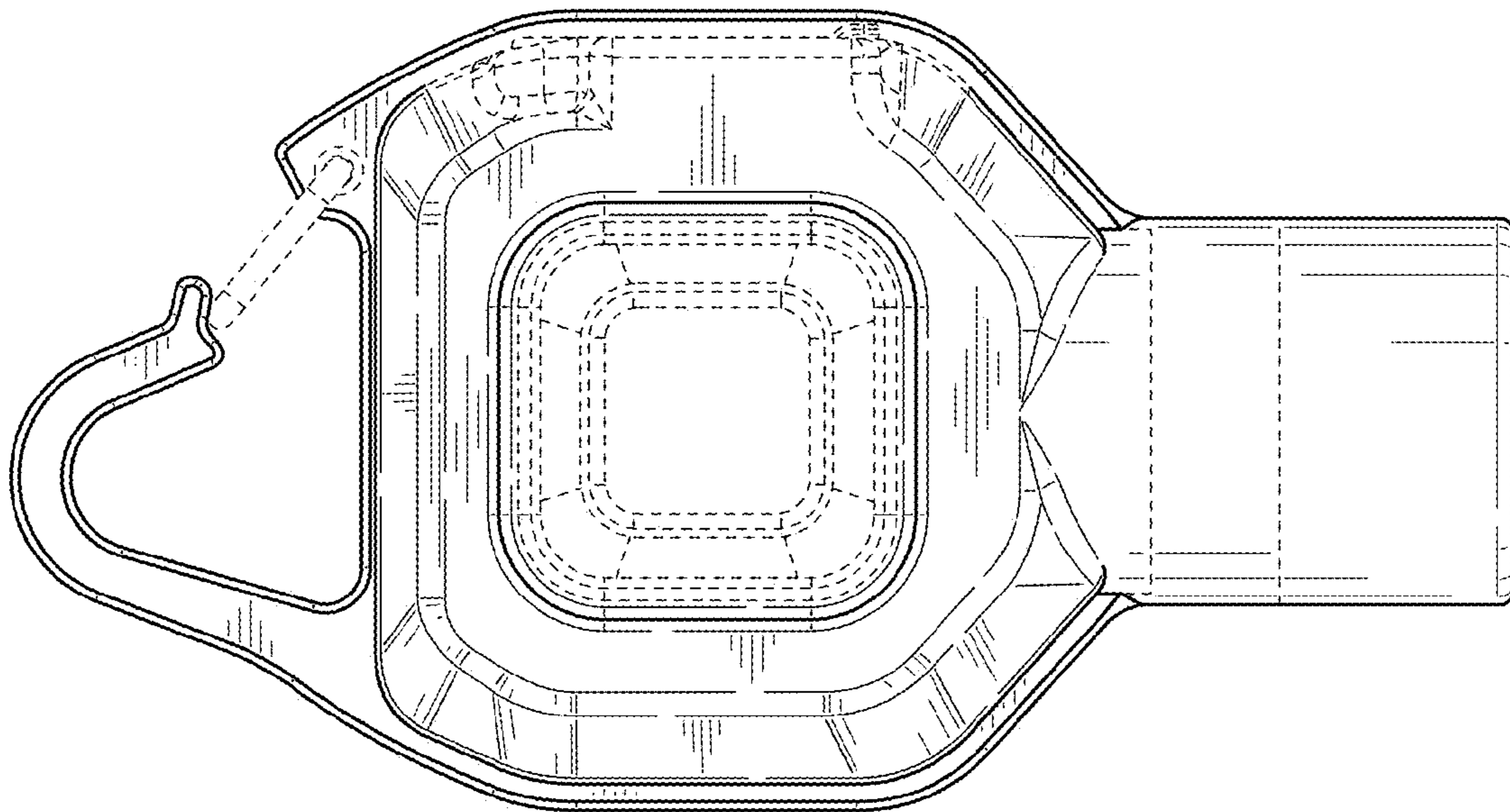


FIG. 3

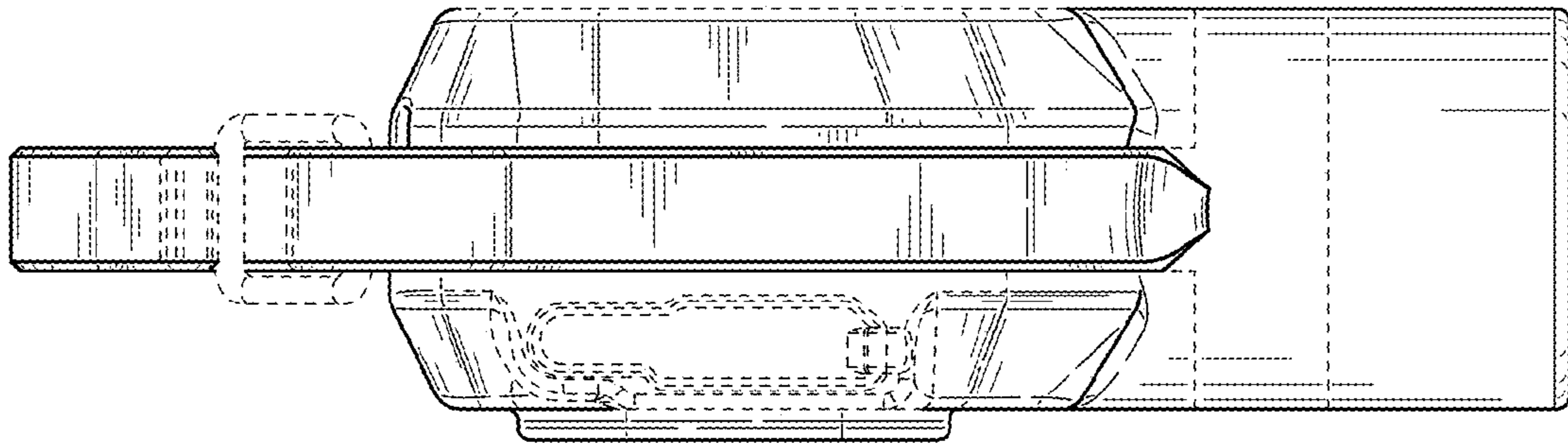


FIG. 5

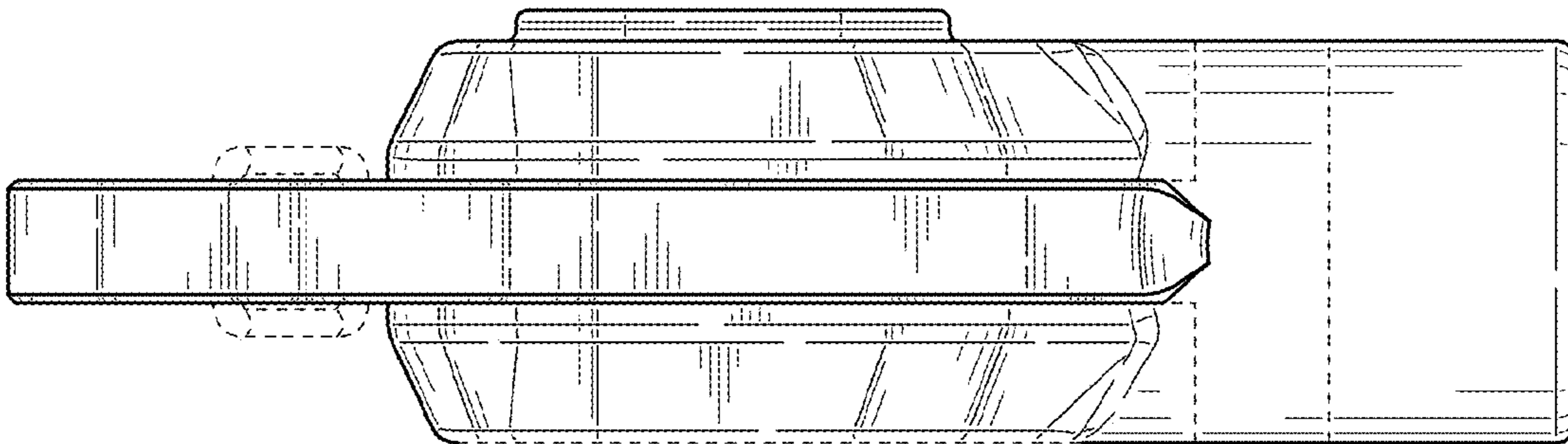


FIG. 4

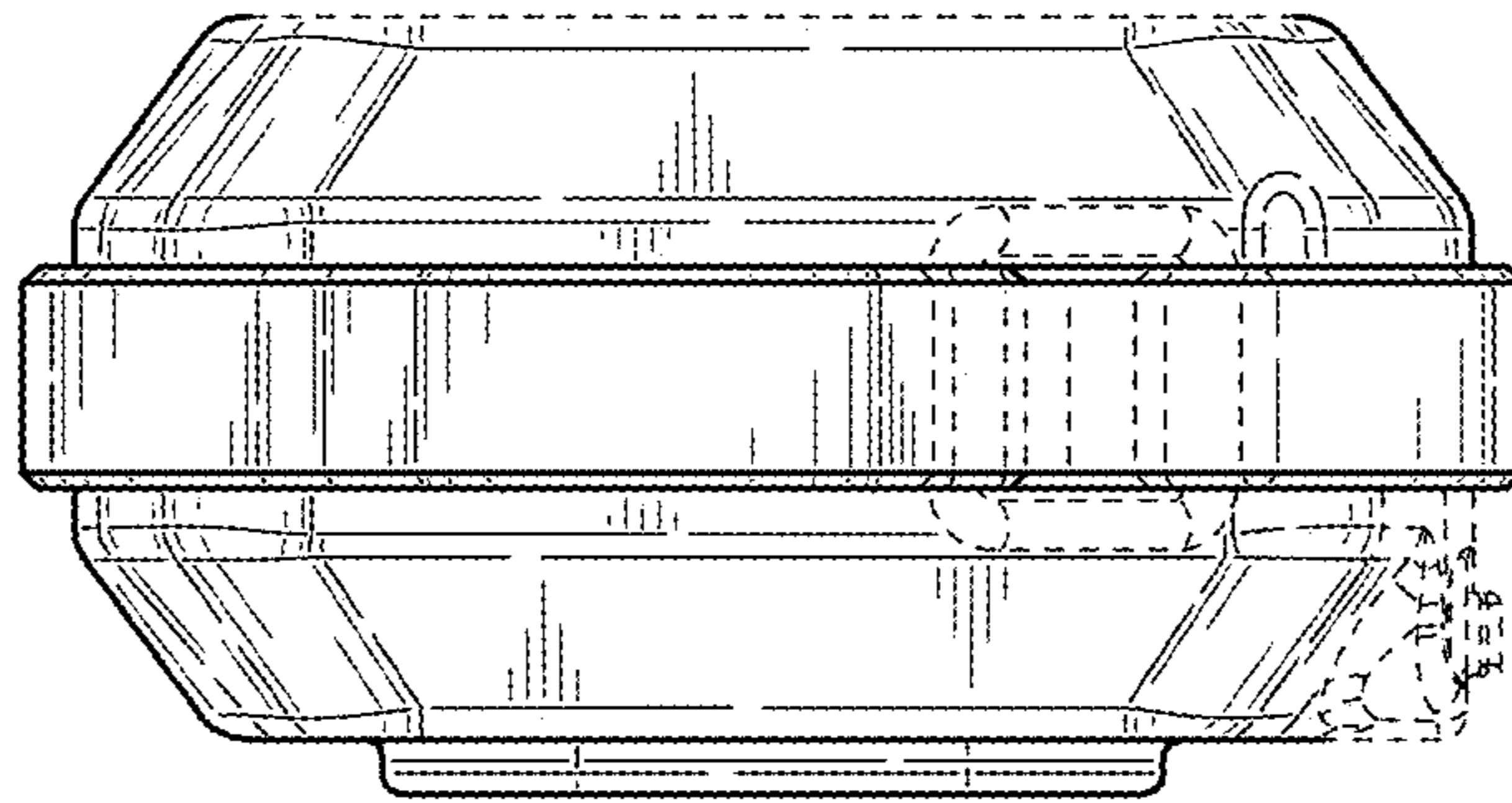


FIG. 6

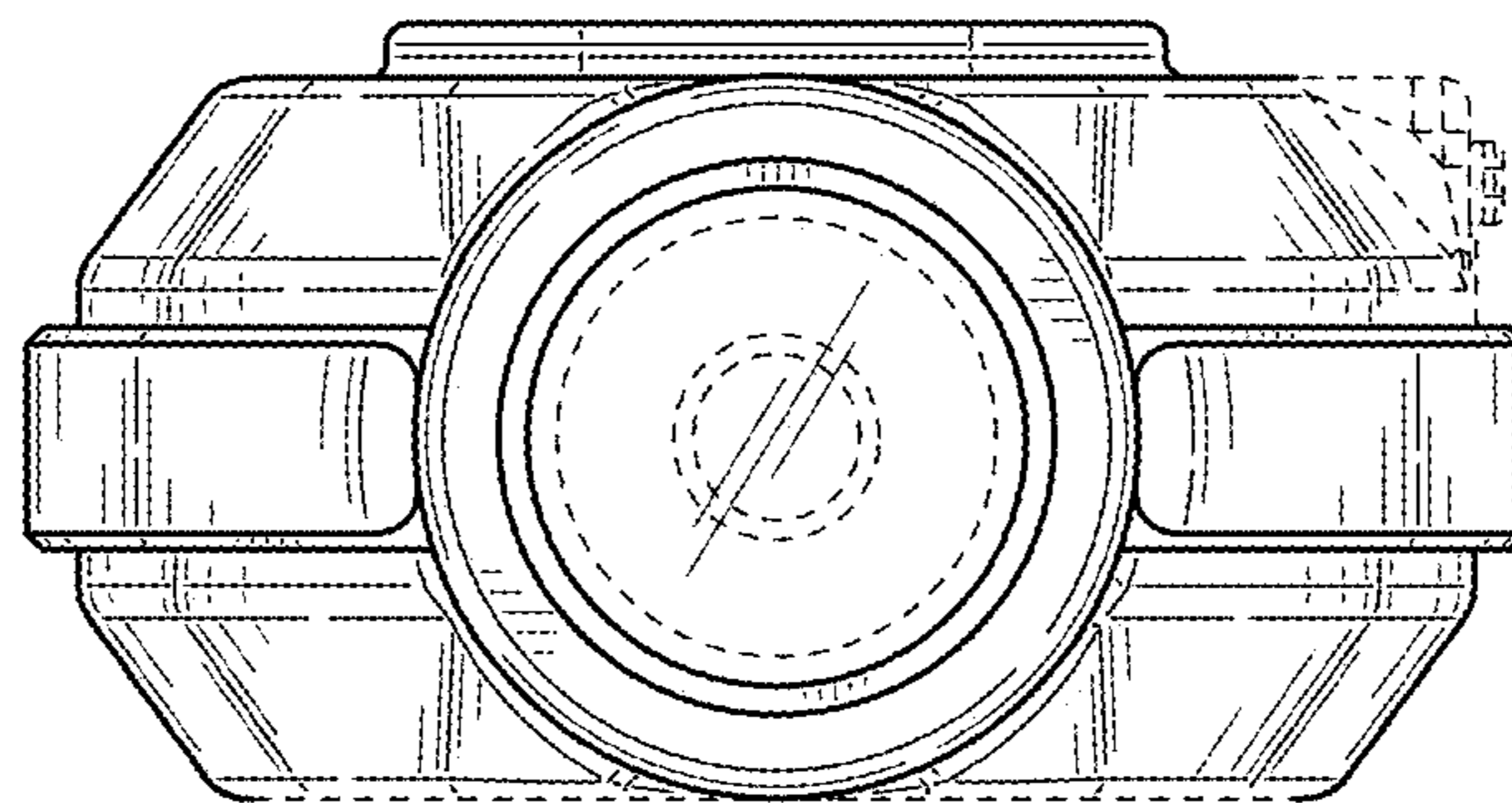


FIG. 7

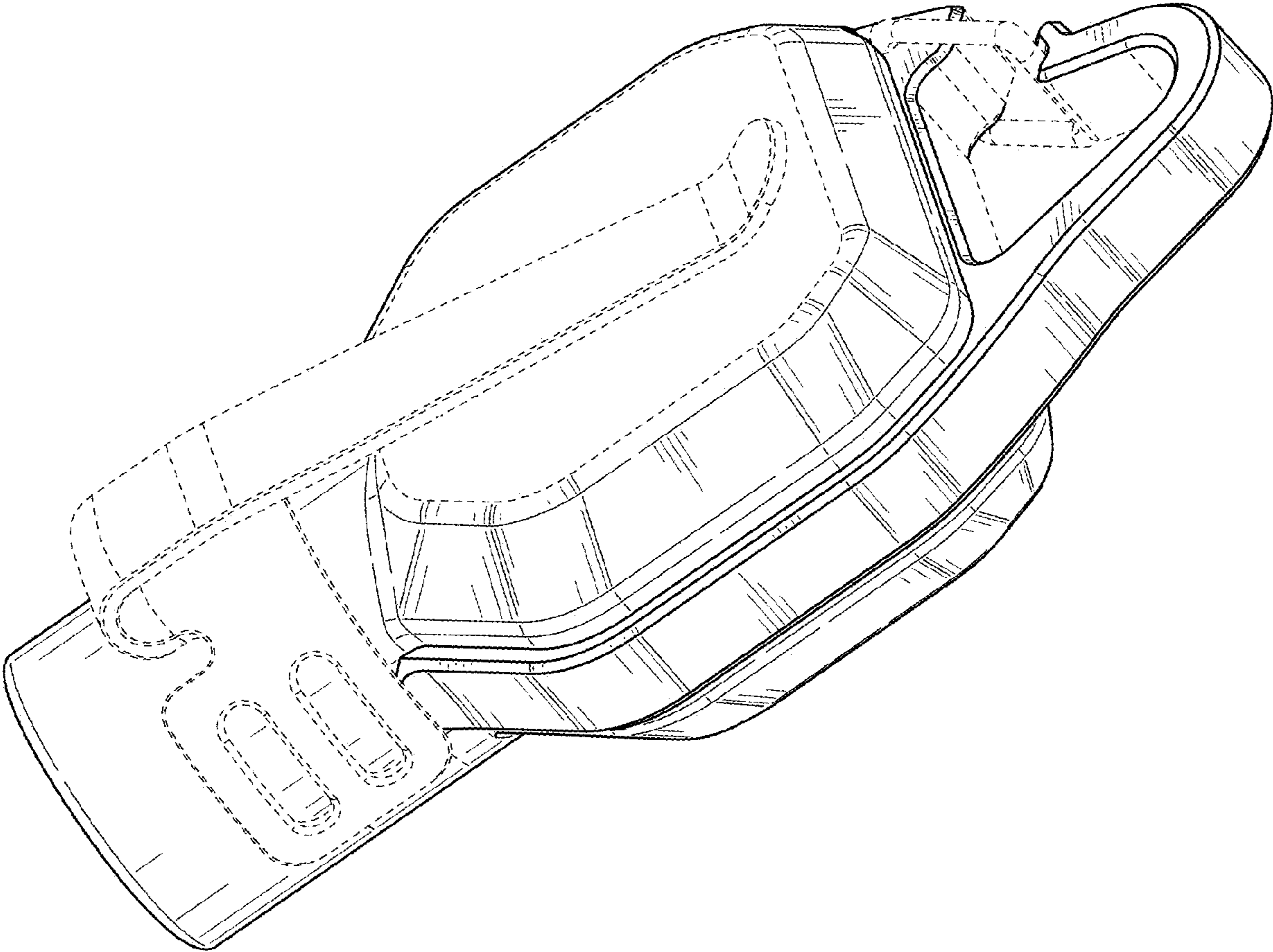


FIG. 8