



US00D963217S

(12) **United States Design Patent**  
**Yeh**

(10) **Patent No.:** **US D963,217 S**

(45) **Date of Patent:** **\*\* Sep. 6, 2022**

(54) **VEHICLE HEADLIGHT**

(71) Applicant: **Changzhou Chengjia Photoelectric Technology Co., LTD**, Changzhou (CN)

(72) Inventor: **Chunhung Yeh**, Shanghai (CN)

(\*\*) Term: **15 Years**

(21) Appl. No.: **29/831,256**

(22) Filed: **Mar. 18, 2022**

(51) **LOC (13) Cl.** ..... **26-06**

(52) **U.S. Cl.**  
USPC ..... **D26/28**

(58) **Field of Classification Search**  
USPC ..... D26/28-36, 139  
CPC ..... F21S 48/00; F21S 48/10; F21S 48/115;  
F21S 48/225; F21S 48/1233; F21S 48/1266; F21S 48/1388; F21S 48/2268;  
F21V 5/00; F21V 21/04; F21V 29/004;  
B60Q 9/13; B60Q 9/135; B60Q 9/1375;  
F21W 2102/17; F21W 2103/00; F21W 2103/35; F21W 2103/55; F21W 2107/13;  
F21W 2107/17

See application file for complete search history.

(56) **References Cited**

U.S. PATENT DOCUMENTS

D883,526 S \* 5/2020 Lin ..... D26/28  
D883,538 S \* 5/2020 Lai ..... D26/28

D884,940 S \* 5/2020 He ..... D26/28  
D888,298 S \* 6/2020 Wu ..... D26/28  
D890,382 S \* 7/2020 Wu ..... D26/28  
D893,066 S \* 8/2020 Lin ..... D26/28  
D899,641 S \* 10/2020 He ..... D26/28  
D900,359 S \* 10/2020 He ..... D26/28  
D933,268 S 10/2021 Lin

\* cited by examiner

*Primary Examiner* — Marcus A Jackson

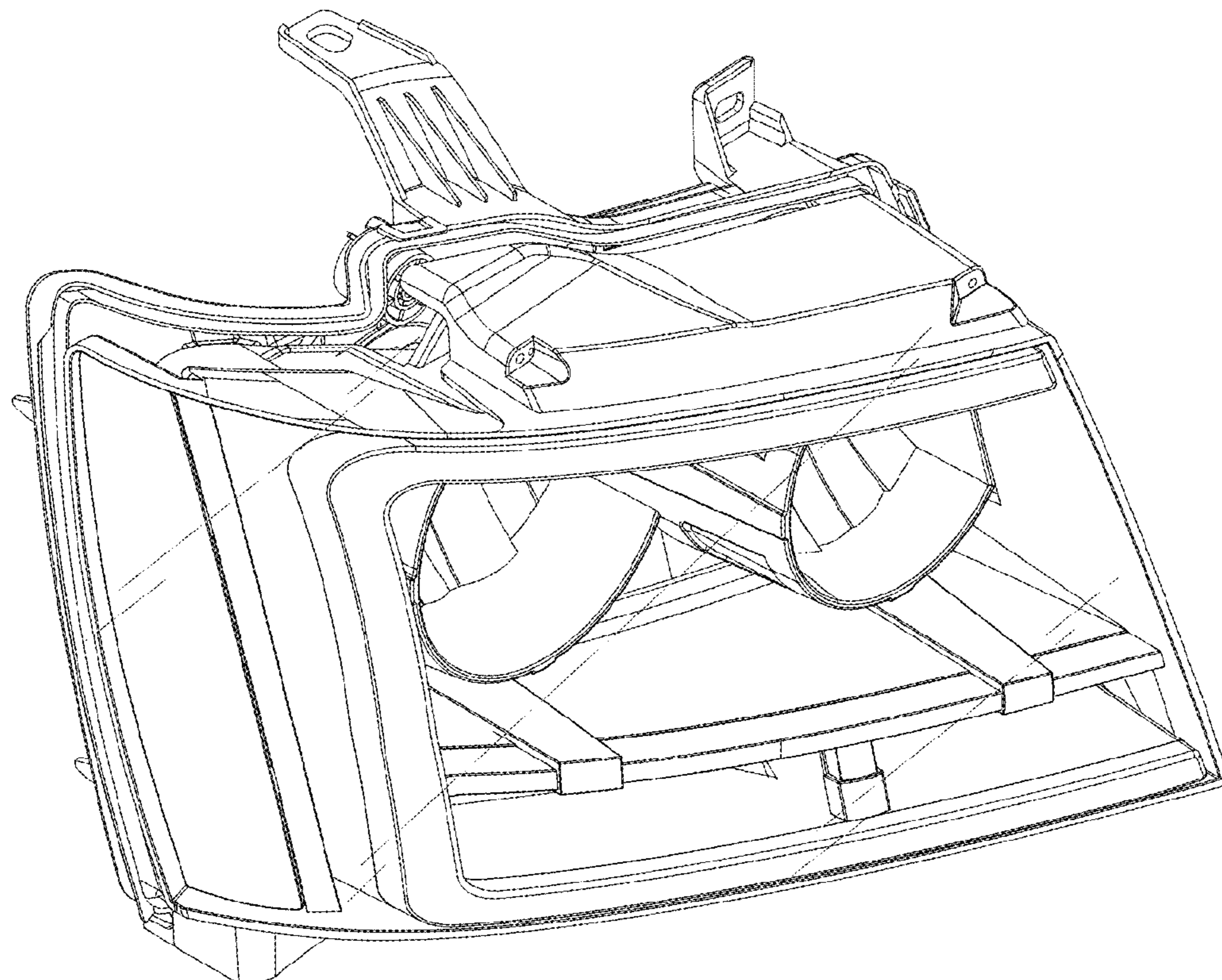
(57) **CLAIM**

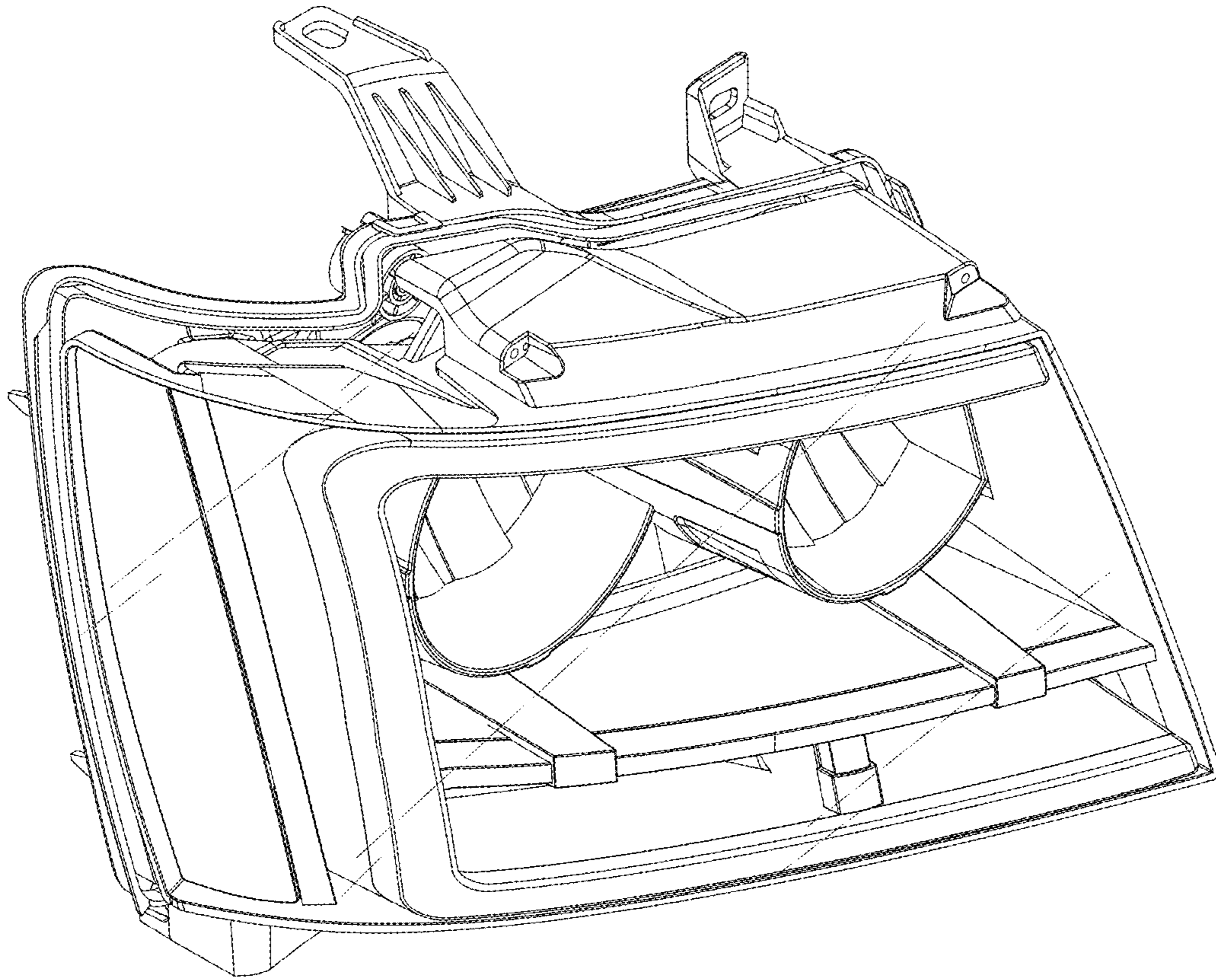
The ornamental design for vehicle headlight, substantially as shown and described.

**DESCRIPTION**

FIG. 1 is a front perspective view of vehicle headlight, showing my new design;  
FIG. 2 is a front view thereof;  
FIG. 3 is a rear view thereof;  
FIG. 4 is a right side view thereof;  
FIG. 5 is a left side view thereof;  
FIG. 6 is a bottom view thereof; and,  
FIG. 7 is a top view thereof.

**1 Claim, 7 Drawing Sheets**





**FIG. 1**

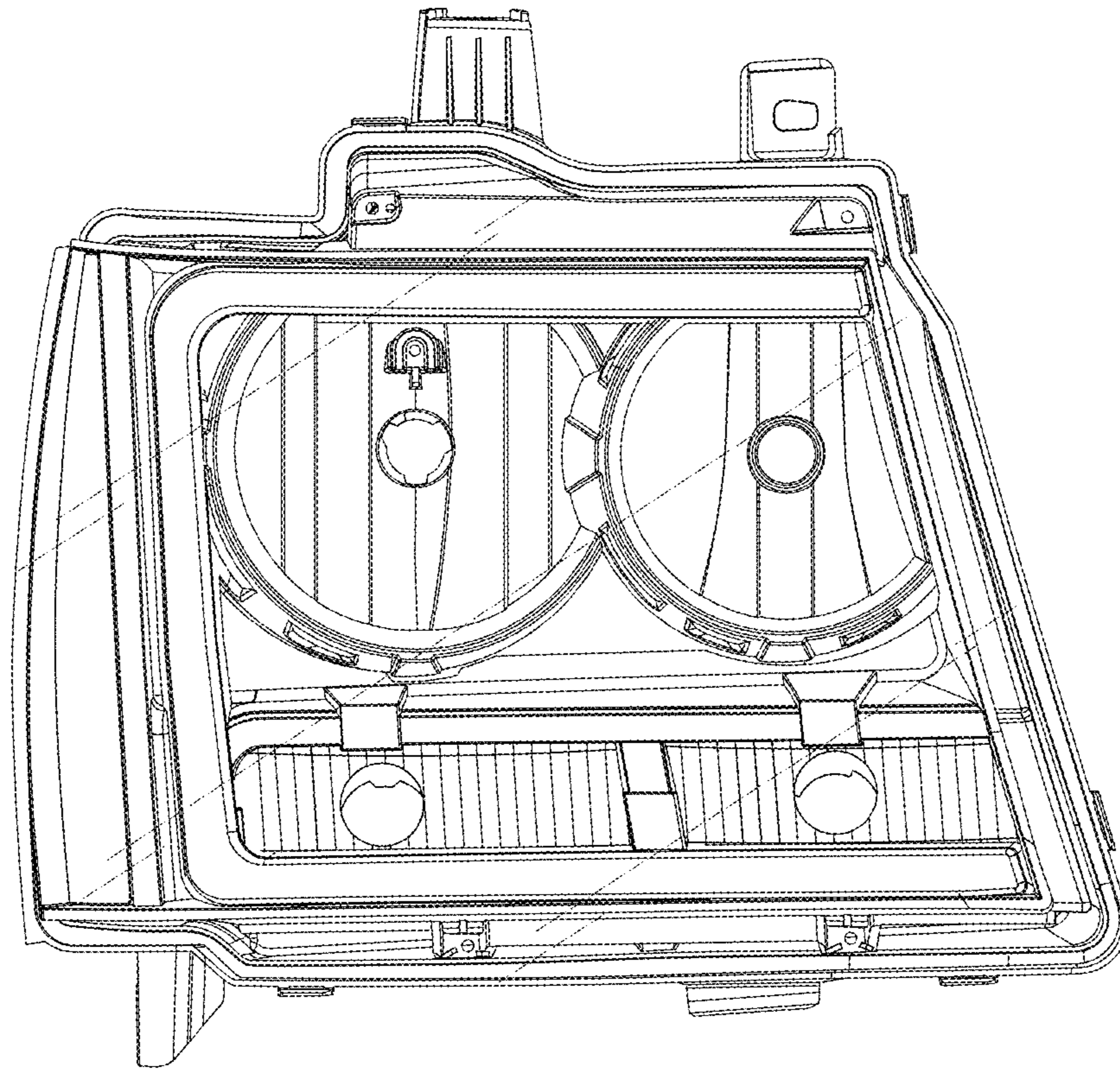


FIG. 2

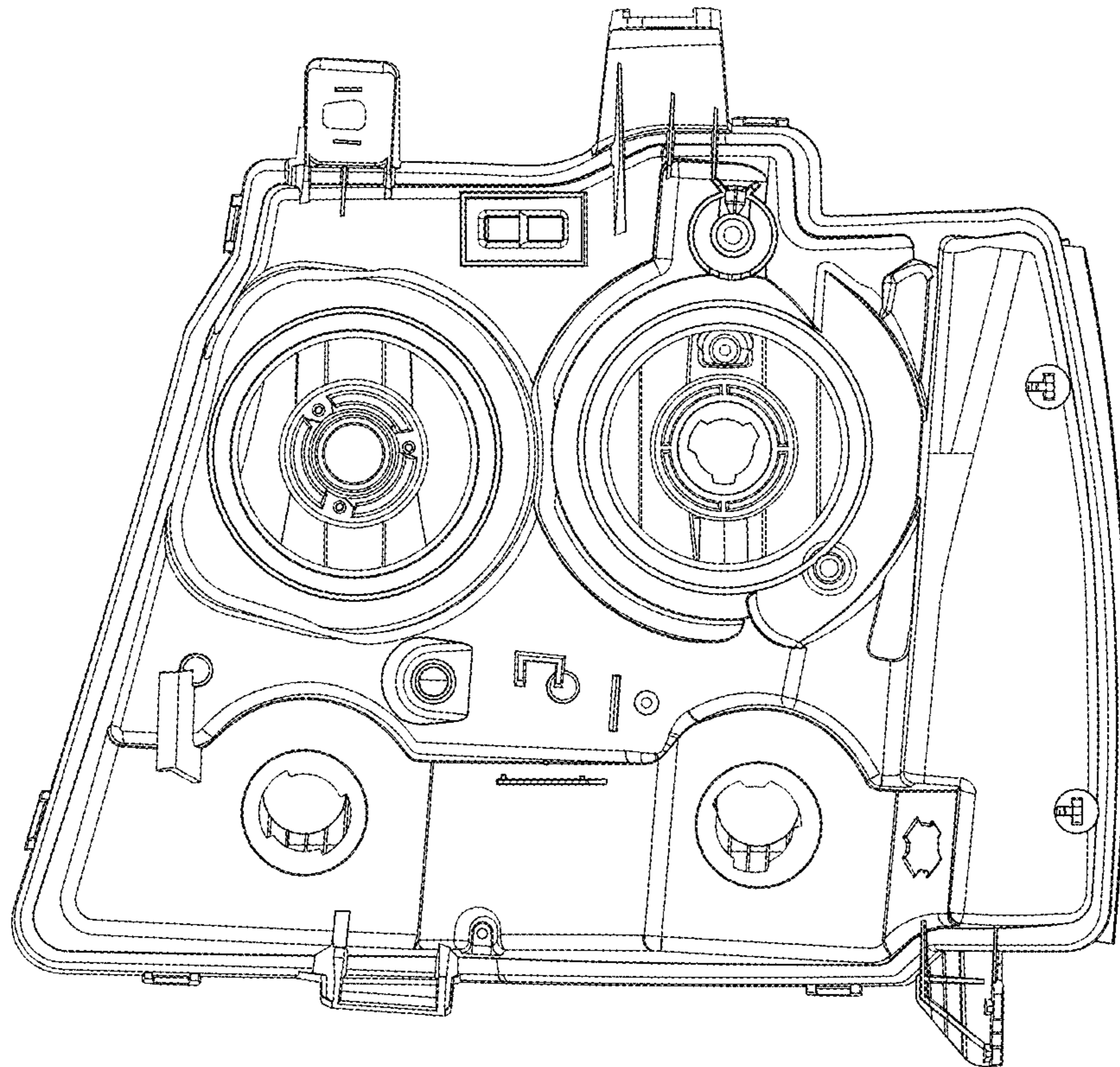
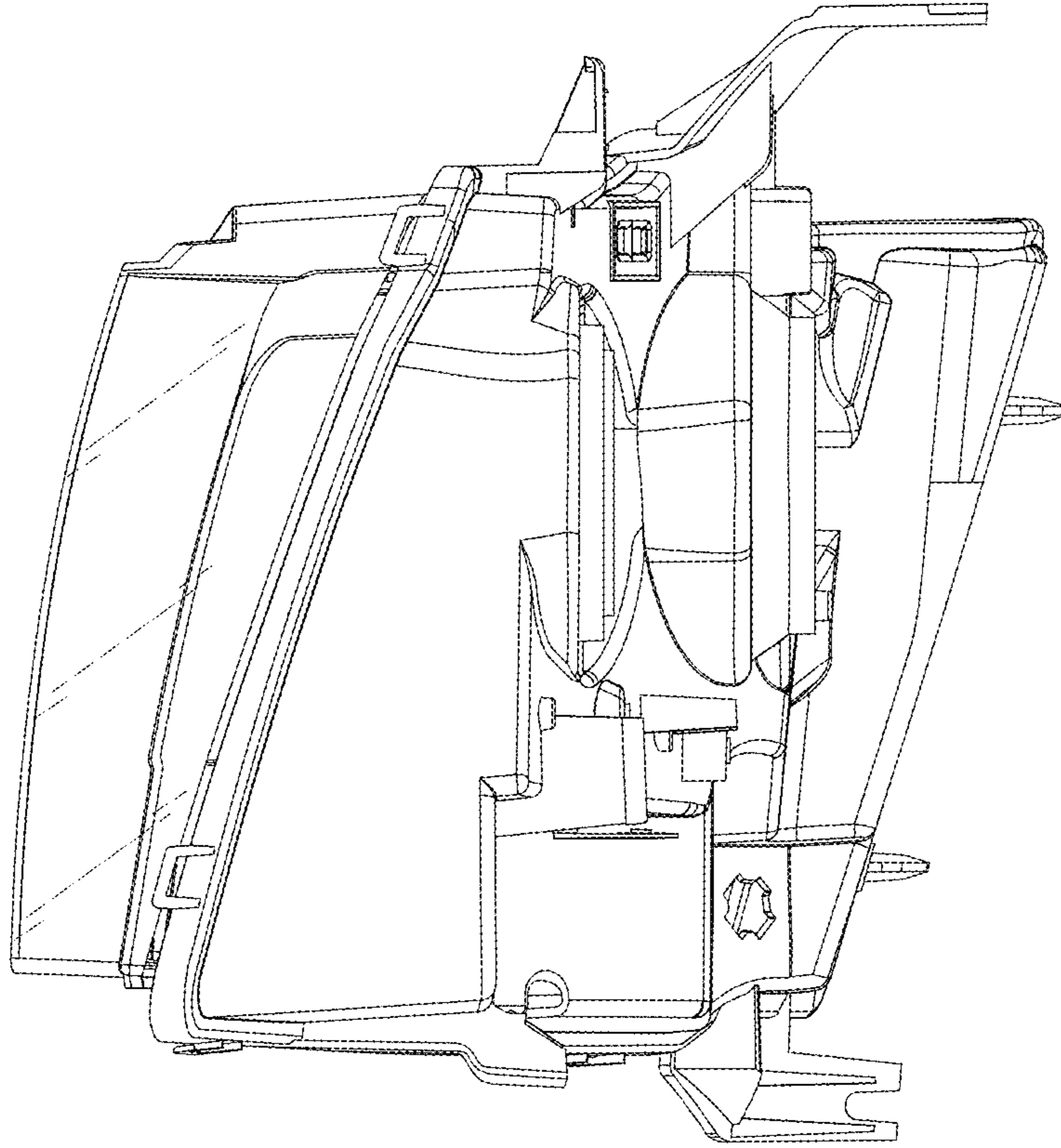


FIG. 3



**FIG. 4**

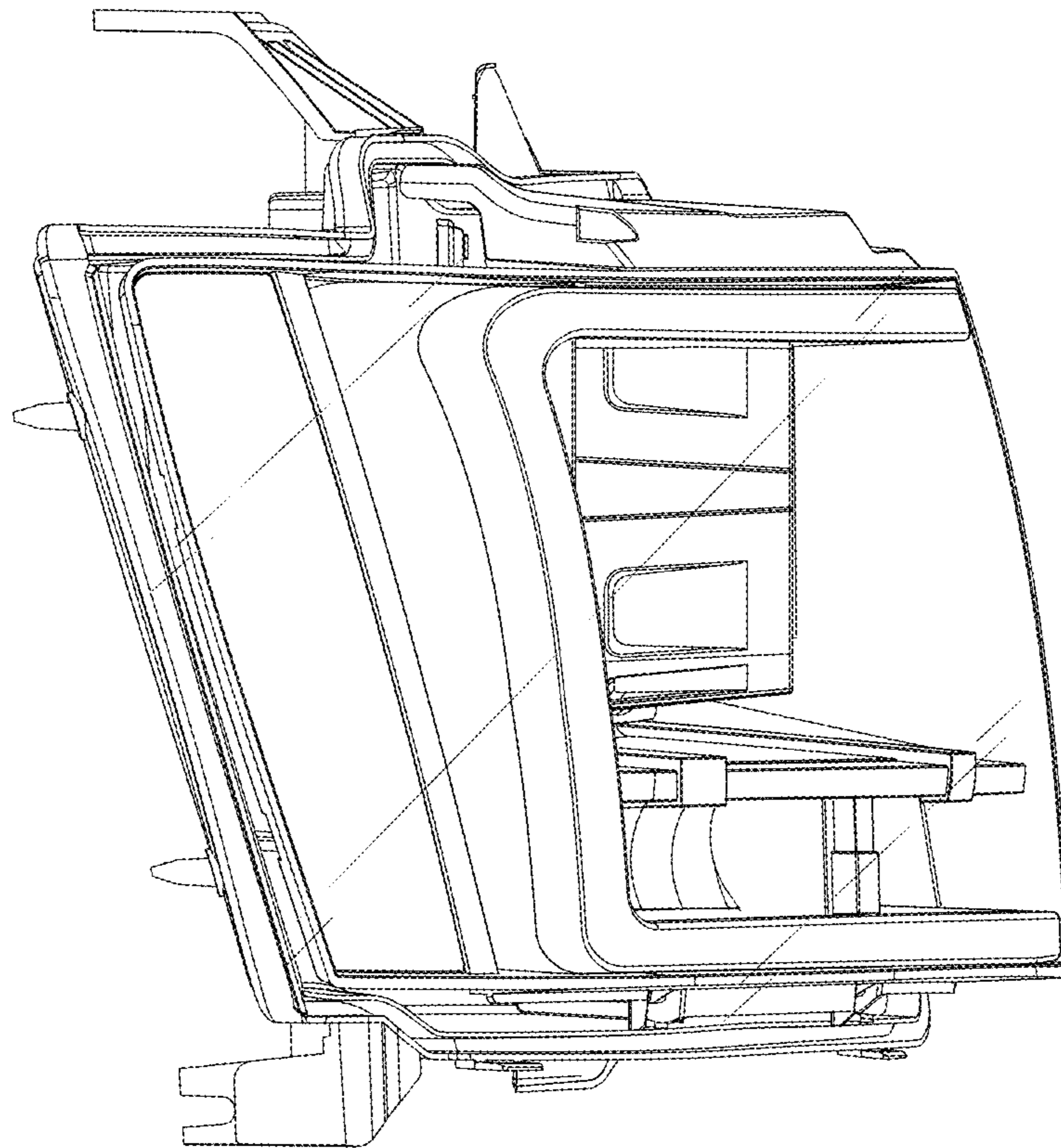
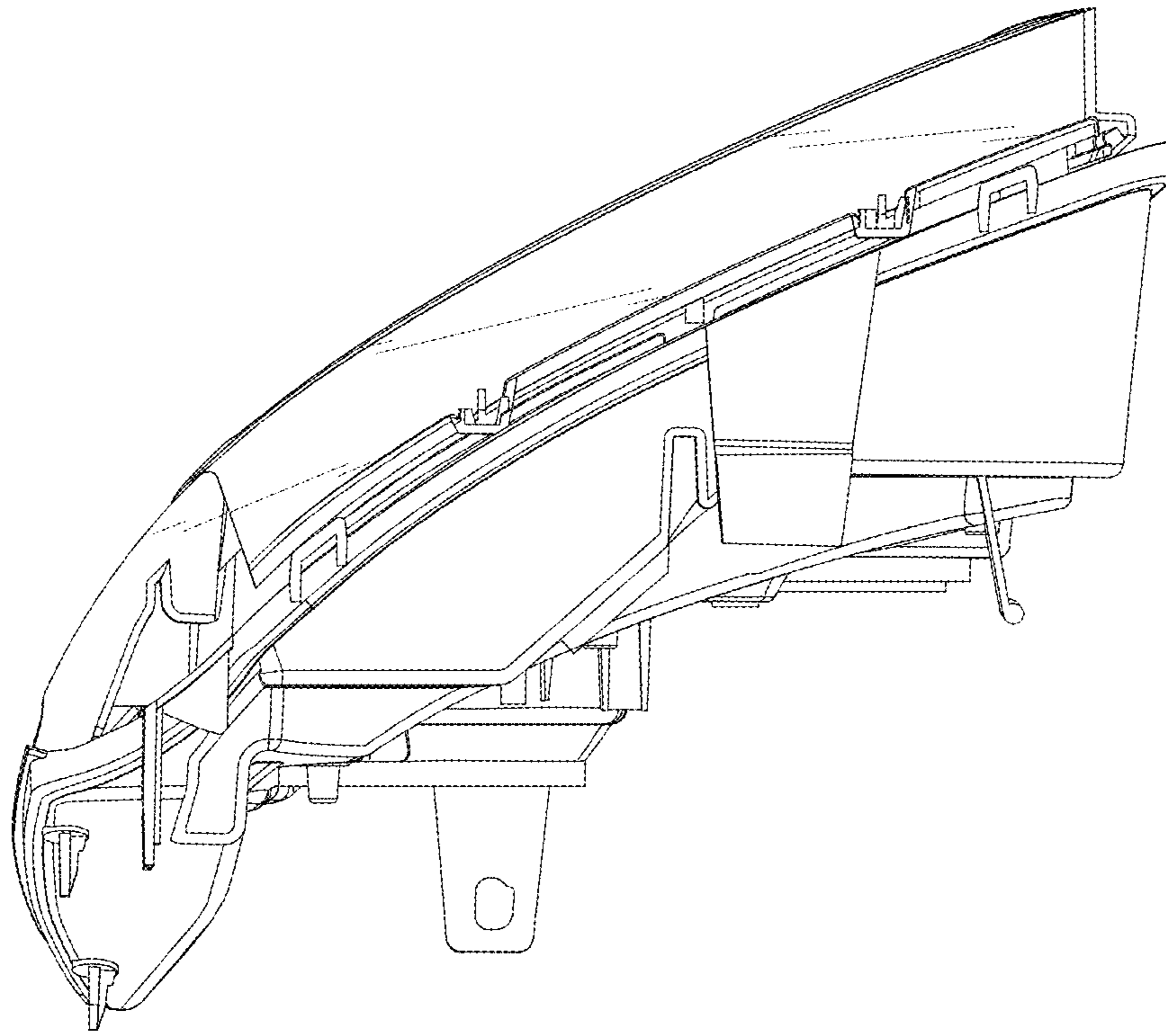
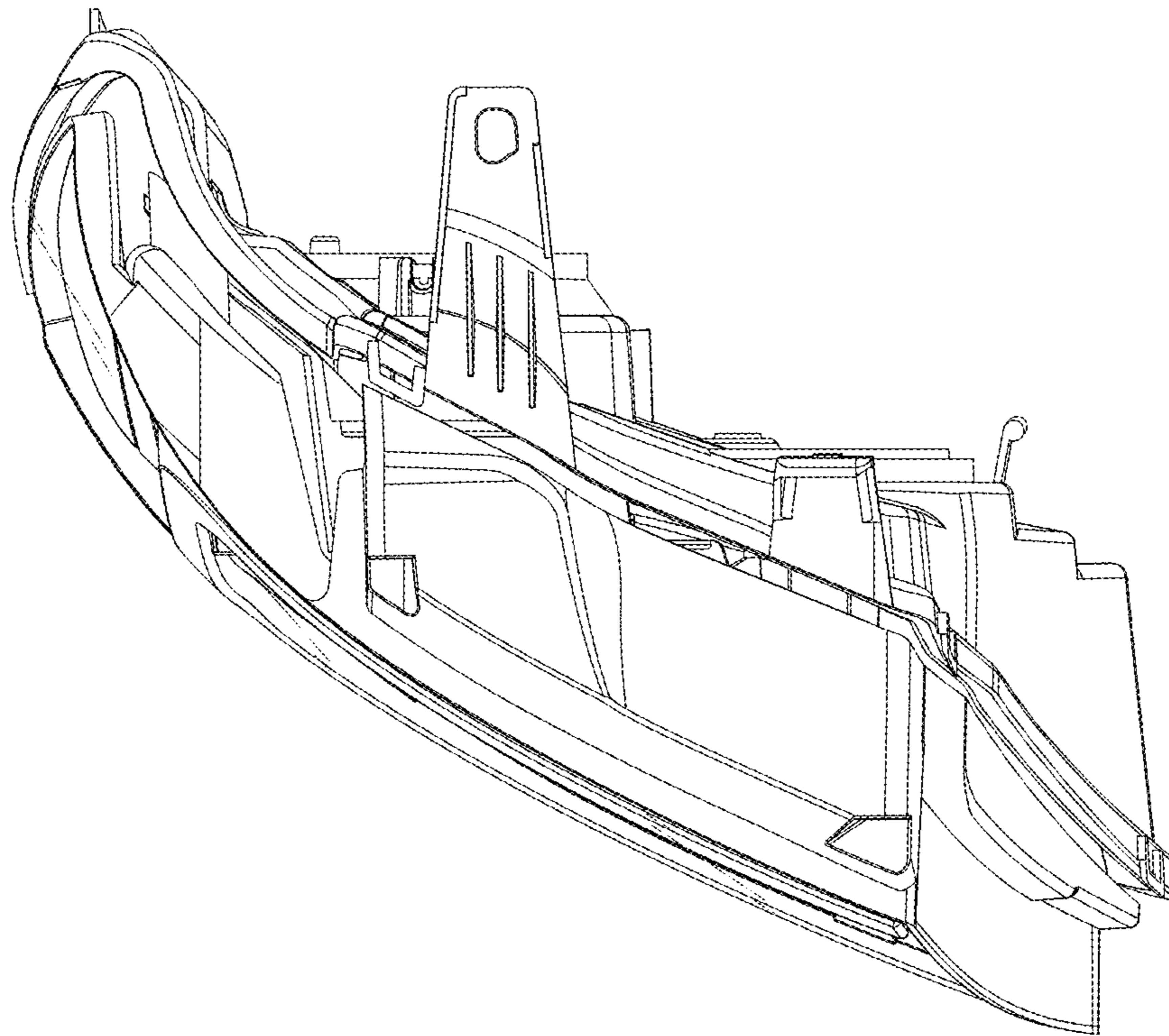


FIG. 5



**FIG. 6**



**FIG. 7**