



US00D963216S

(12) **United States Design Patent** (10) **Patent No.:** **US D963,216 S**  
**Yeh** (45) **Date of Patent:** **\*\* Sep. 6, 2022**

(54) **VEHICLE HEADLIGHT**

(56) **References Cited**

(71) Applicant: **Changzhou Chengjia Photoelectric Technology Co., LTD**, Changzhou (CN)

(72) Inventor: **Chunhung Yeh**, Shanghai (CN)

(\*\*) Term: **15 Years**

(21) Appl. No.: **29/831,250**

(22) Filed: **Mar. 18, 2022**

(51) **LOC (13) Cl.** ..... **26-06**

(52) **U.S. Cl.**  
USPC ..... **D26/28**

(58) **Field of Classification Search**  
USPC ..... D26/28-36, 139  
CPC ..... F21S 48/00; F21S 48/10; F21S 48/115; F21S 48/225; F21S 48/1233; F21S 48/1266; F21S 48/1388; F21S 48/2268; F21V 5/00; F21V 21/04; F21V 29/004; B60Q 9/13; B60Q 9/135; B60Q 9/1375; F21W 2102/17; F21W 2103/00; F21W 2103/35; F21W 2103/55; F21W 2107/13; F21W 2107/17

See application file for complete search history.

U.S. PATENT DOCUMENTS

D883,526 S *	5/2020	Lin	.....	D26/28
D883,538 S *	5/2020	Lai	.....	D26/28
D884,940 S *	5/2020	He	.....	D26/28
D888,298 S *	6/2020	Wu	.....	D26/28
D890,382 S *	7/2020	Wu	.....	D26/28
D893,065 S *	8/2020	He	.....	D26/28
D900,359 S *	10/2020	He	.....	D26/28
D933,268 S	10/2021	Lin	.....	

\* cited by examiner

*Primary Examiner* — Marcus A Jackson

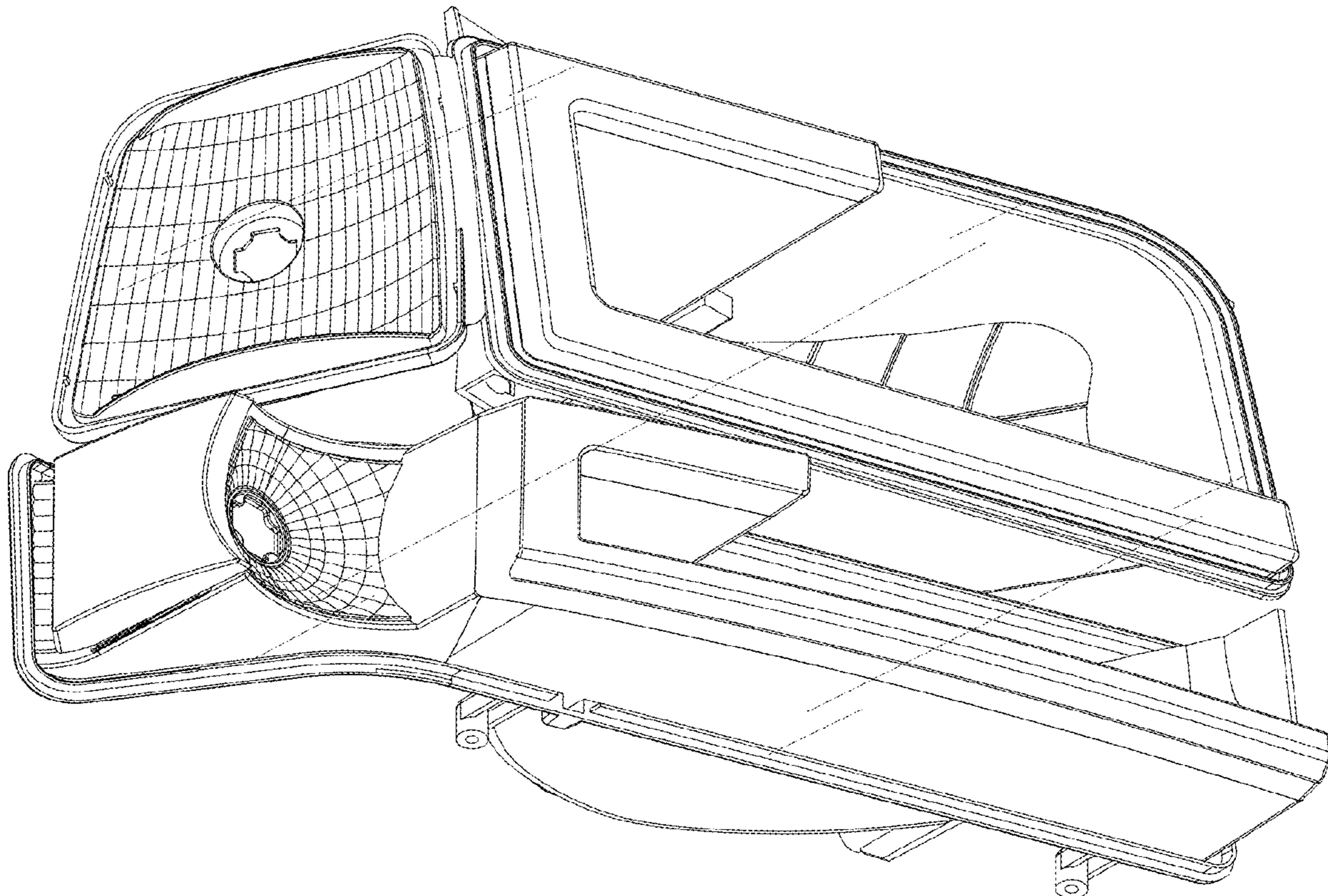
(57) **CLAIM**

The ornamental design for a vehicle headlight, as shown and described.

**DESCRIPTION**

FIG. 1 is a front perspective view of vehicle headlight, showing my new design;  
FIG. 2 is a front view thereof;  
FIG. 3 is a rear view thereof;  
FIG. 4 is a right side view thereof,  
FIG. 5 is a left side view thereof;  
FIG. 6 is a bottom view thereof; and,  
FIG. 7 is a top view thereof.

**1 Claim, 7 Drawing Sheets**



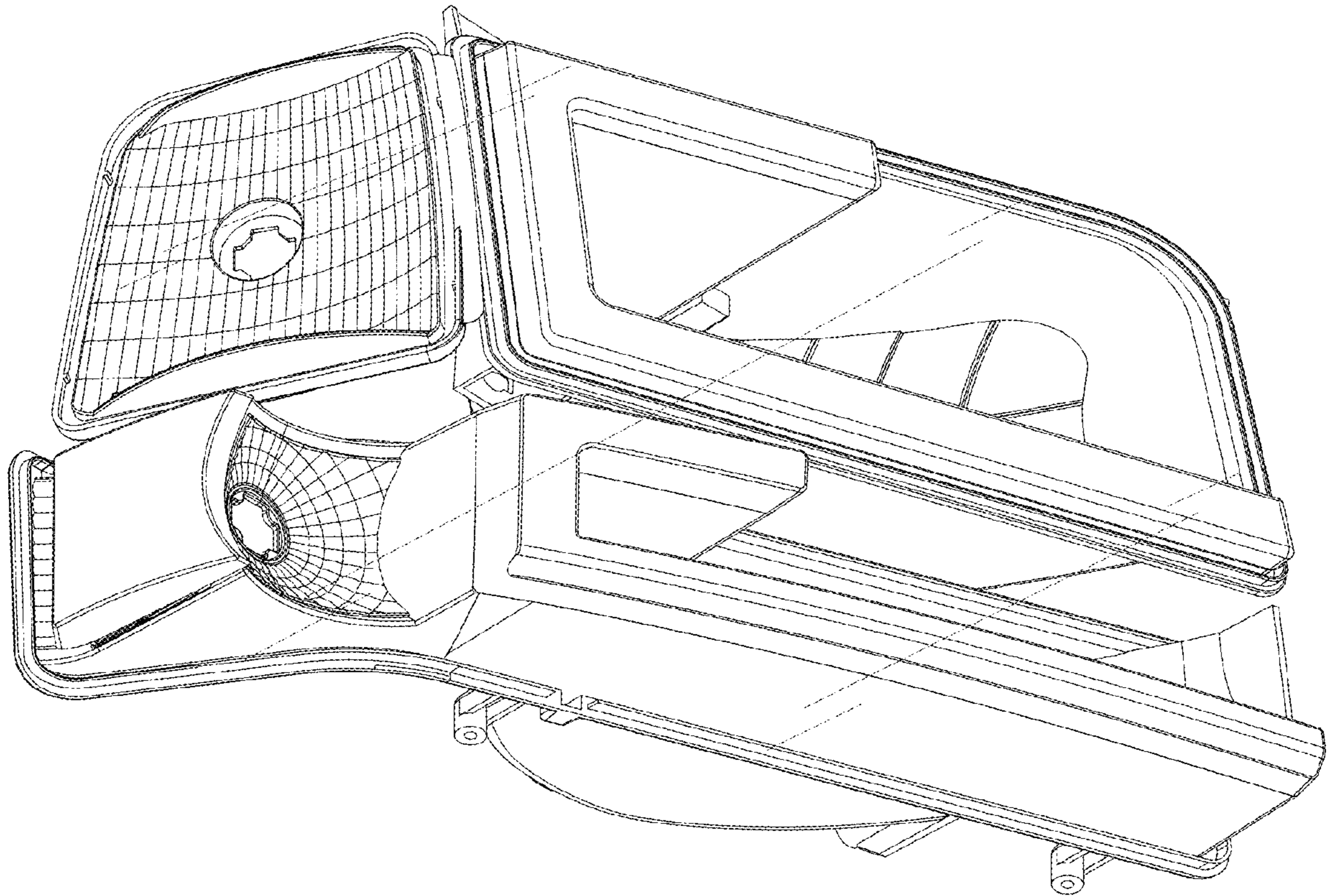


FIG. 1

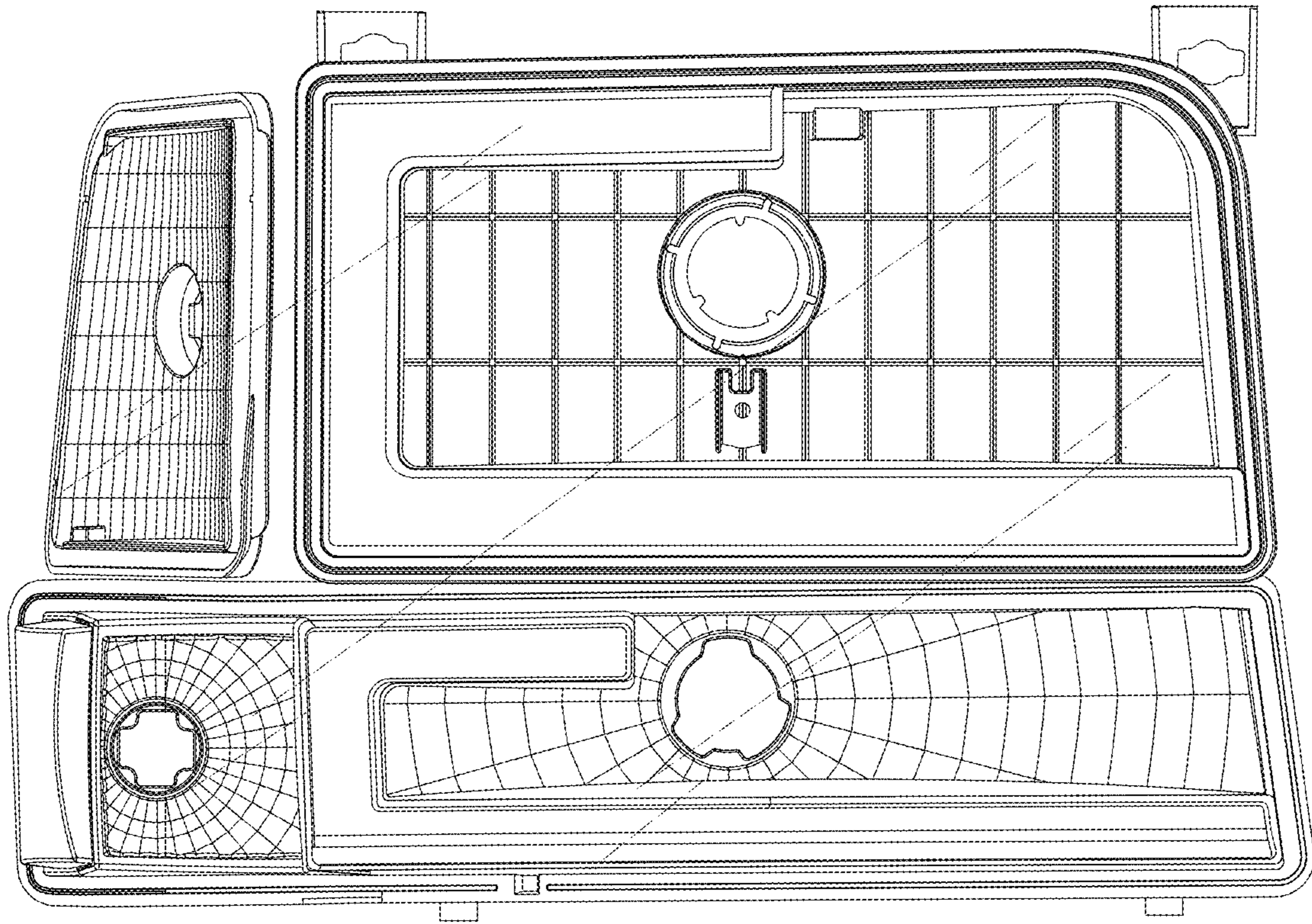


FIG. 2

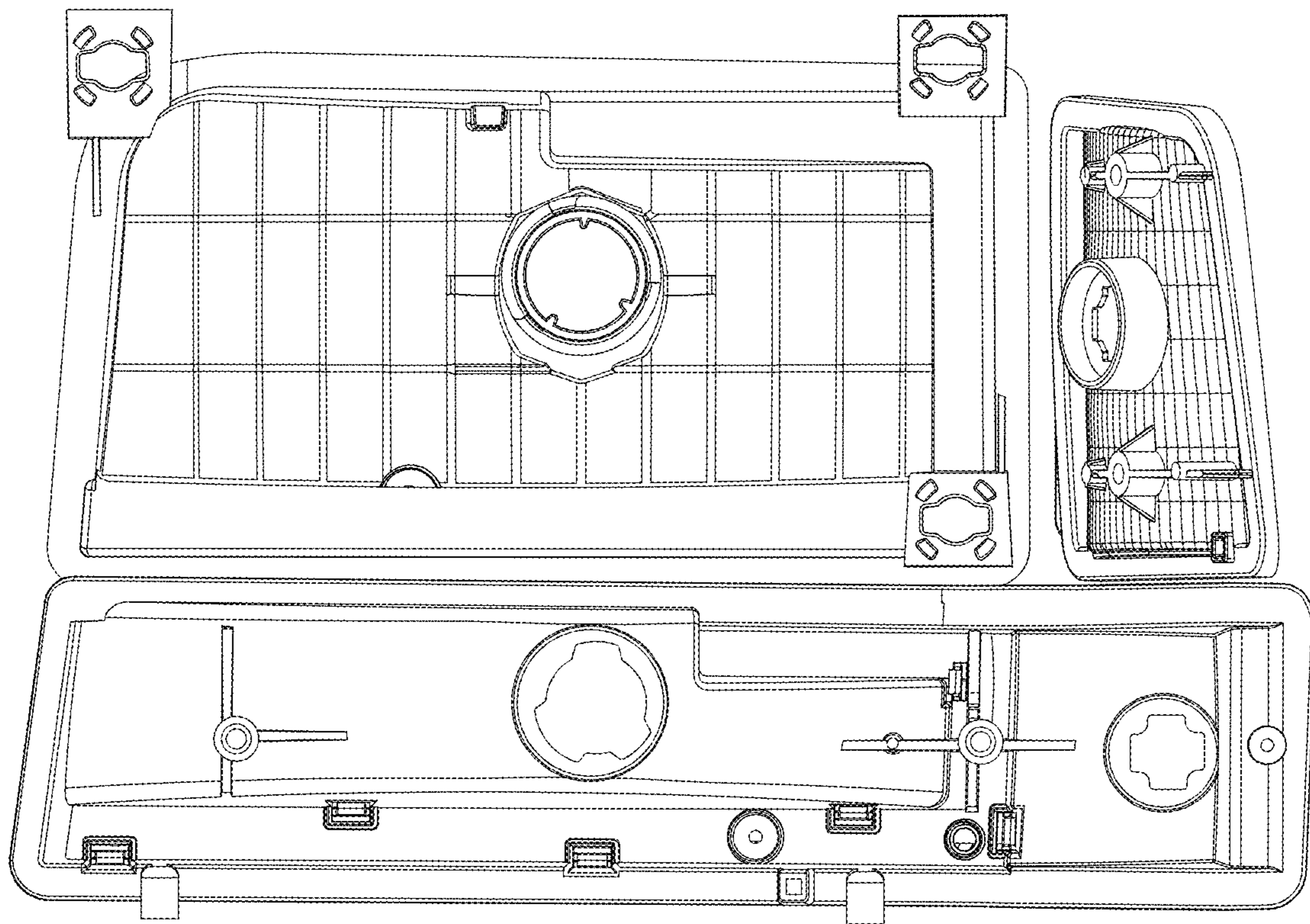


FIG. 3

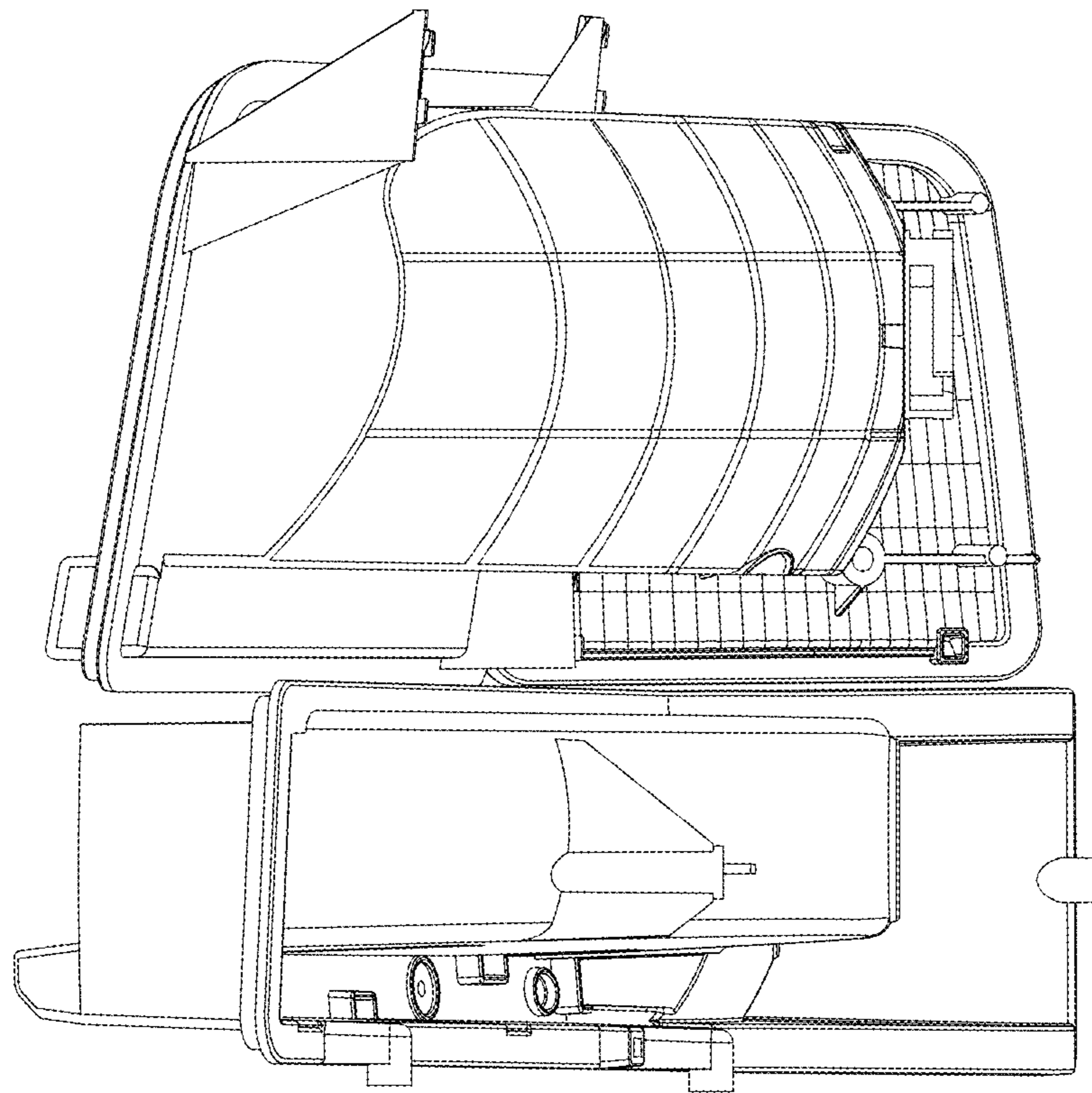


FIG. 4

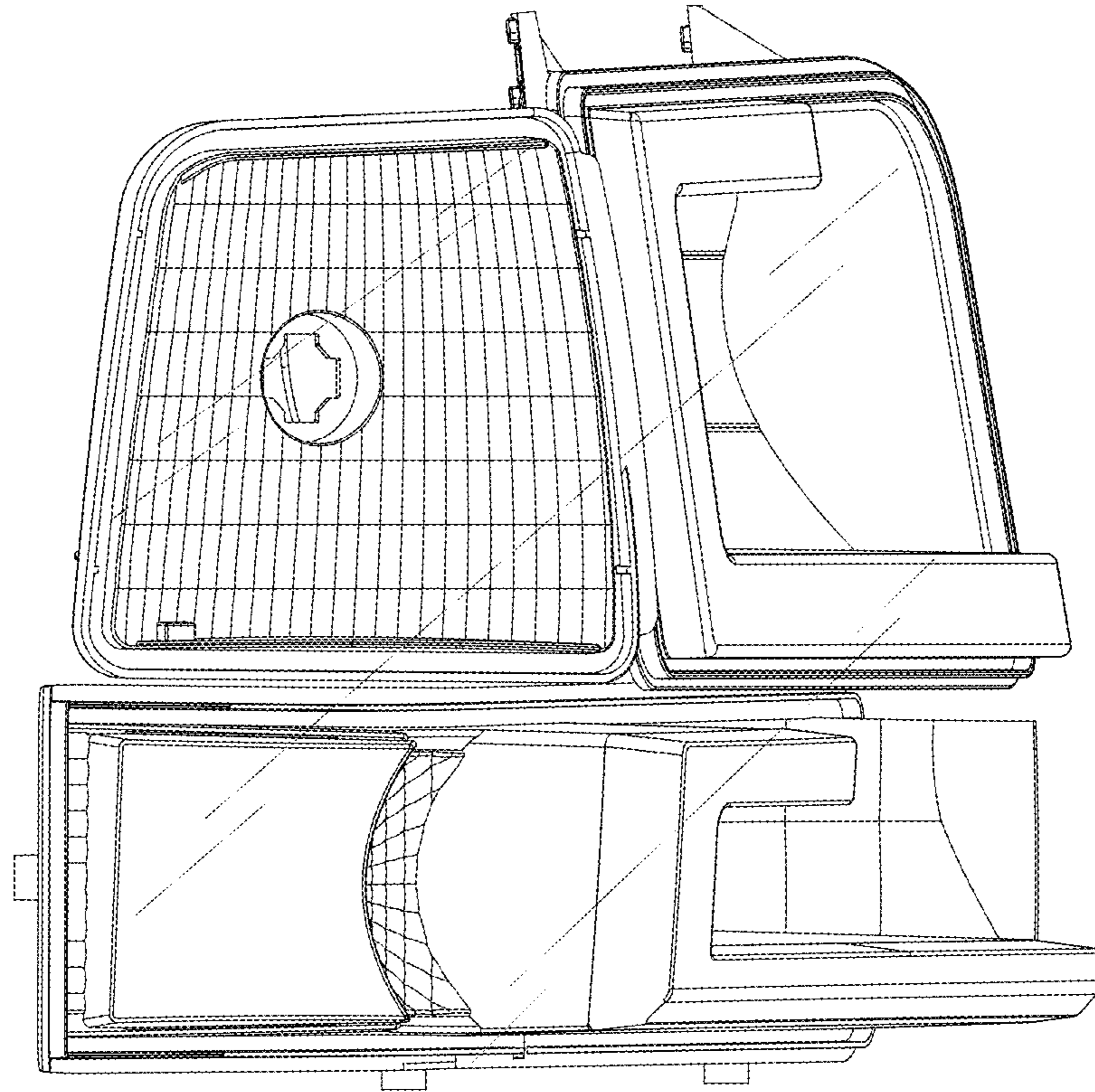


FIG. 5

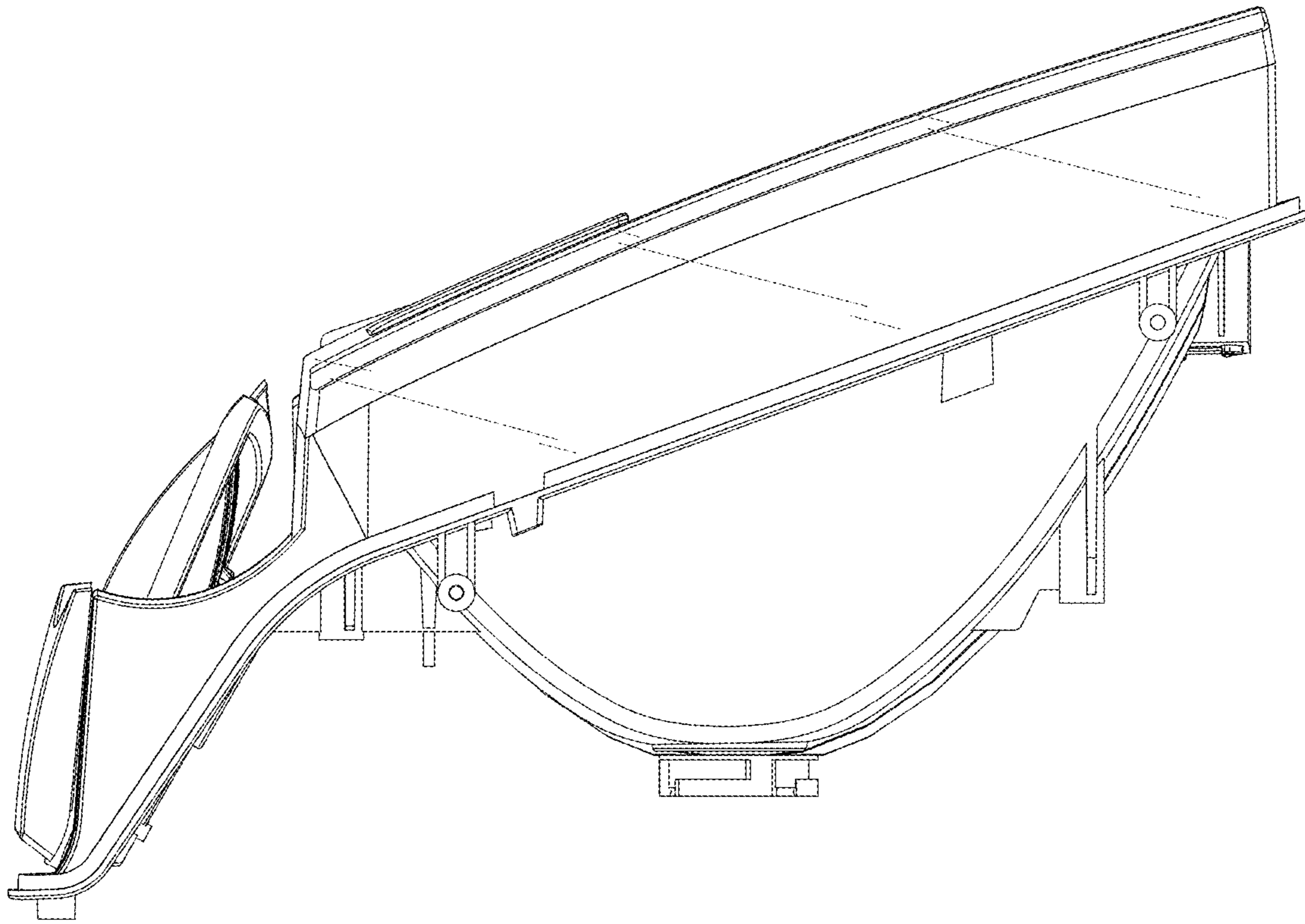


FIG. 6

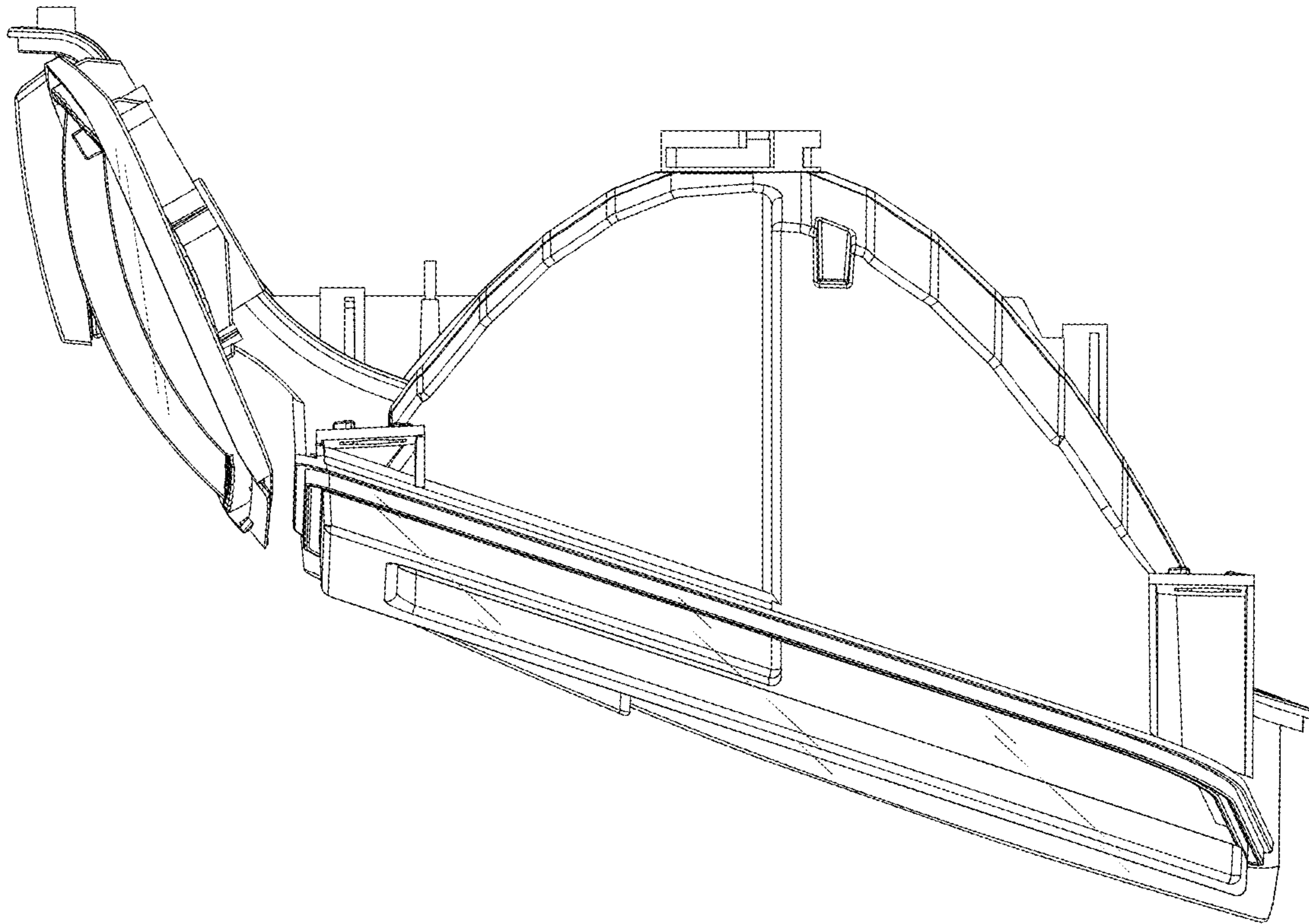


FIG. 7