



US00D963215S

(12) **United States Design Patent**
Zhang

(10) **Patent No.:** **US D963,215 S**

(45) **Date of Patent:** **** Sep. 6, 2022**

(54) **LED HEADLIGHT**

(71) Applicant: **Zeken Zhang**, Lufeng (CN)

(72) Inventor: **Zeken Zhang**, Lufeng (CN)

(**) Term: **15 Years**

(21) Appl. No.: **29/829,046**

(22) Filed: **Mar. 2, 2022**

(51) **LOC (13) Cl.** **26-06**

(52) **U.S. Cl.**

USPC **D26/28**

(58) **Field of Classification Search**

USPC D26/28-36, 139

CPC F21S 48/00; F21S 48/10; F21S 48/115;

F21S 48/225; F21S 48/1233; F21S

48/1266; F21S 48/1388; F21S 48/2268;

F21V 5/00; F21V 21/04; F21V 29/004;

B60Q 9/13; B60Q 9/135; B60Q 9/1375;

F21W 2102/17; F21W 2103/00; F21W

2103/35; F21W 2103/55; F21W 2107/13;

F21W 2107/17

See application file for complete search history.

(56) **References Cited**

U.S. PATENT DOCUMENTS

D792,994 S 7/2017 Hwang

D796,095 S * 8/2017 Huang D26/28

D827,167 S * 8/2018 Deyaf D26/28

D839,458 S * 1/2019 Ting D26/28

D853,604 S * 7/2019 Ting D26/28

D854,204 S * 7/2019 Ting D26/28

D855,844 S * 8/2019 Peng D26/28

D894,437 S 8/2020 Wu

* cited by examiner

Primary Examiner — Marcus A Jackson

(74) *Attorney, Agent, or Firm* — ScienBiziP, P.C.

(57) **CLAIM**

The ornamental design for a LED headlight, as shown and described.

DESCRIPTION

FIG. 1 is a front, right and bottom perspective view of a LED headlight, showing my design.

FIG. 2 is a rear, left and top perspective view thereof.

FIG. 3 is a front elevation view thereof.

FIG. 4 is a rear elevation view thereof.

FIG. 5 is a left side elevation view thereof.

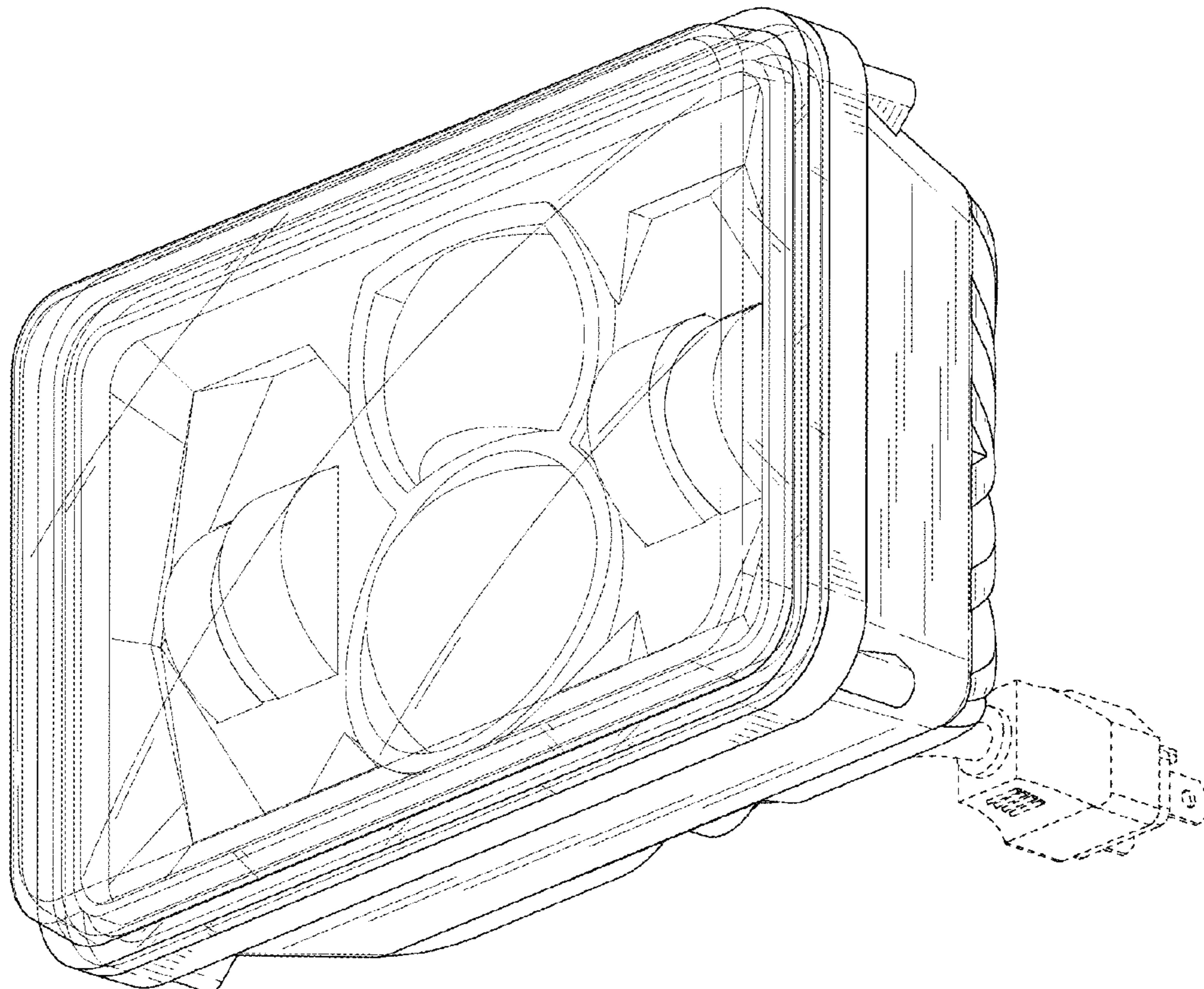
FIG. 6 is a right side elevation view thereof.

FIG. 7 is a top plan view thereof; and,

FIG. 8 is a bottom plan view thereof.

The broken lines in the drawings depict portions of the LED headlight that form no part of the claimed design.

1 Claim, 8 Drawing Sheets



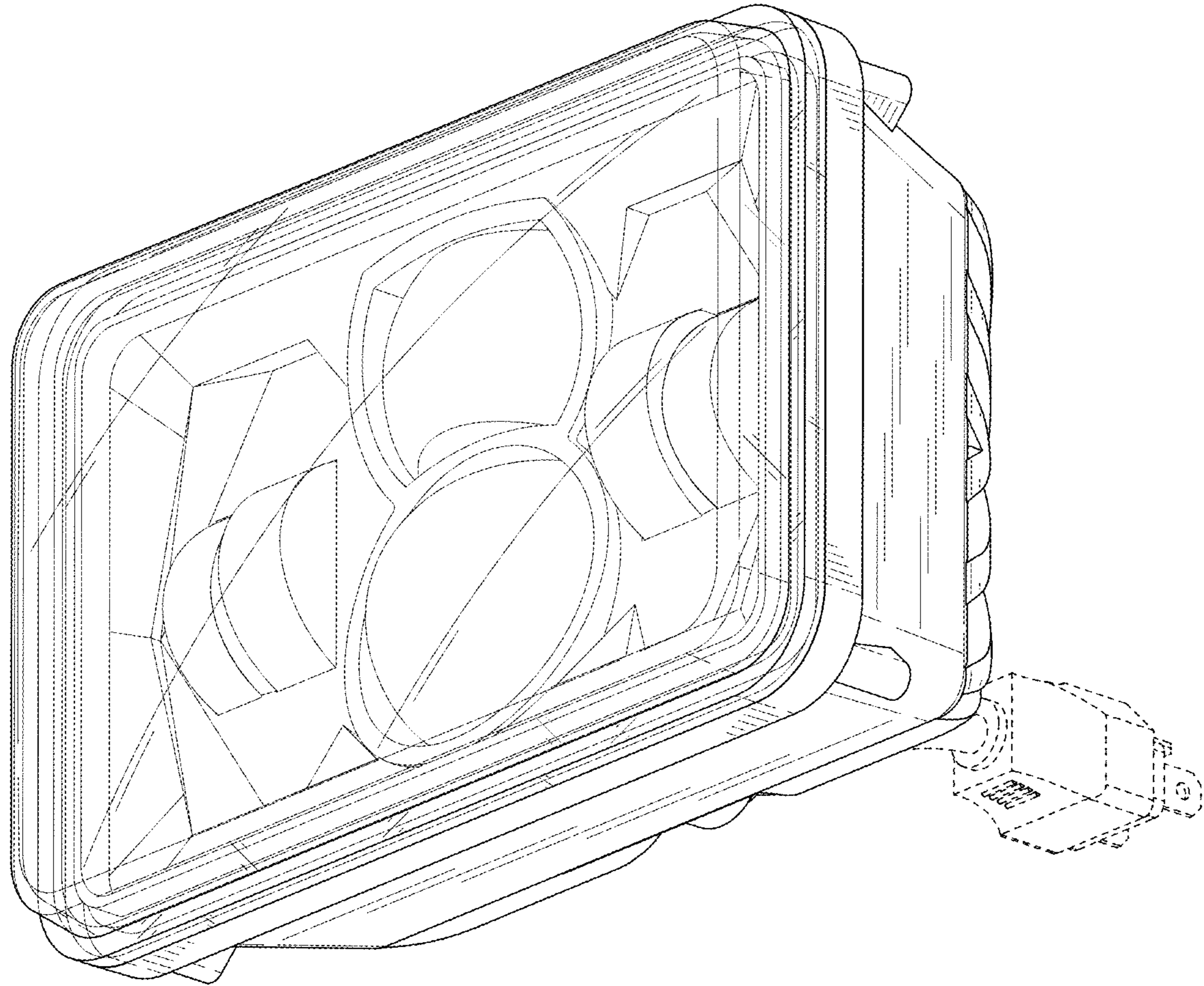


FIG. 1

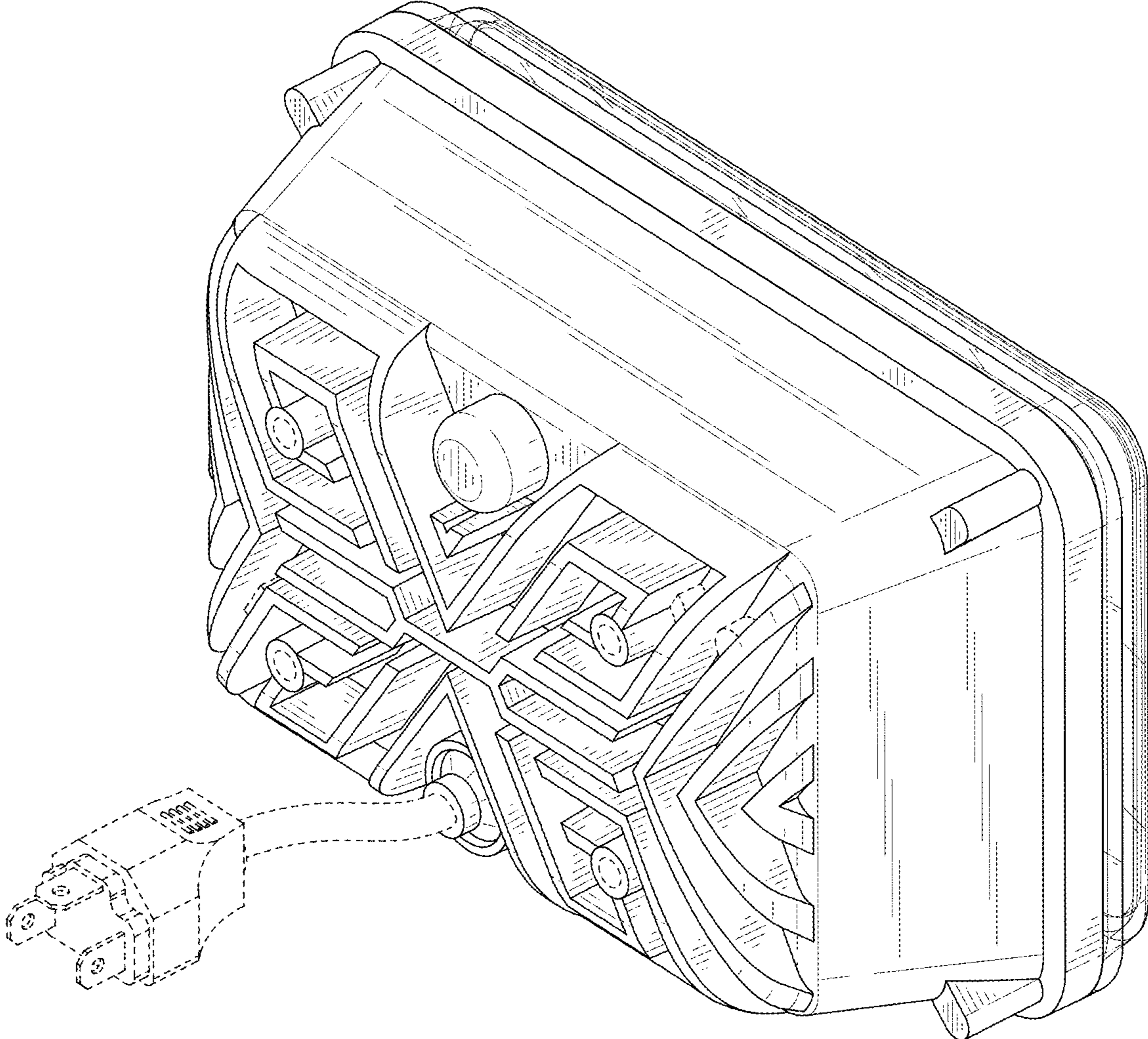


FIG. 2

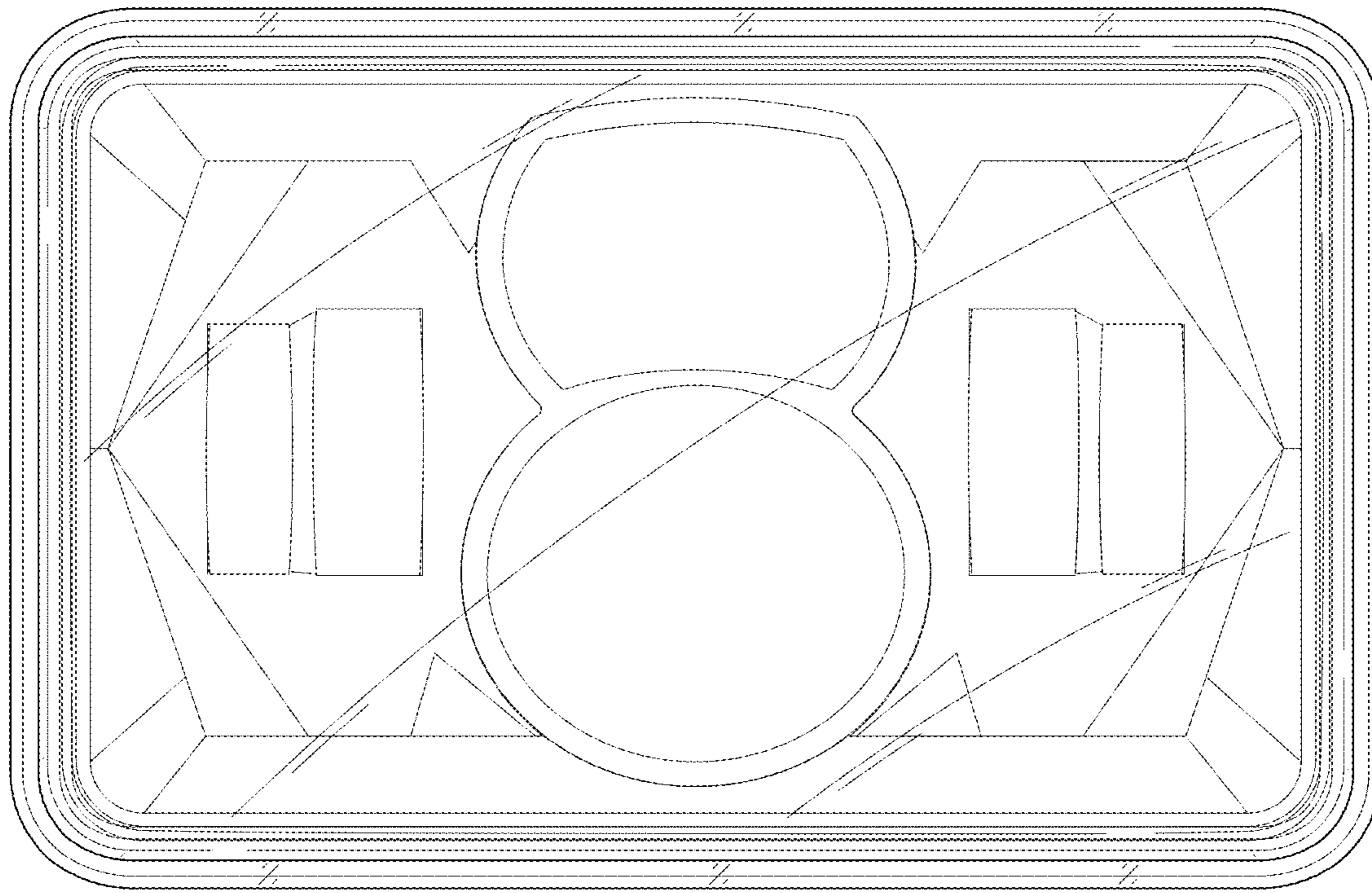


FIG. 3

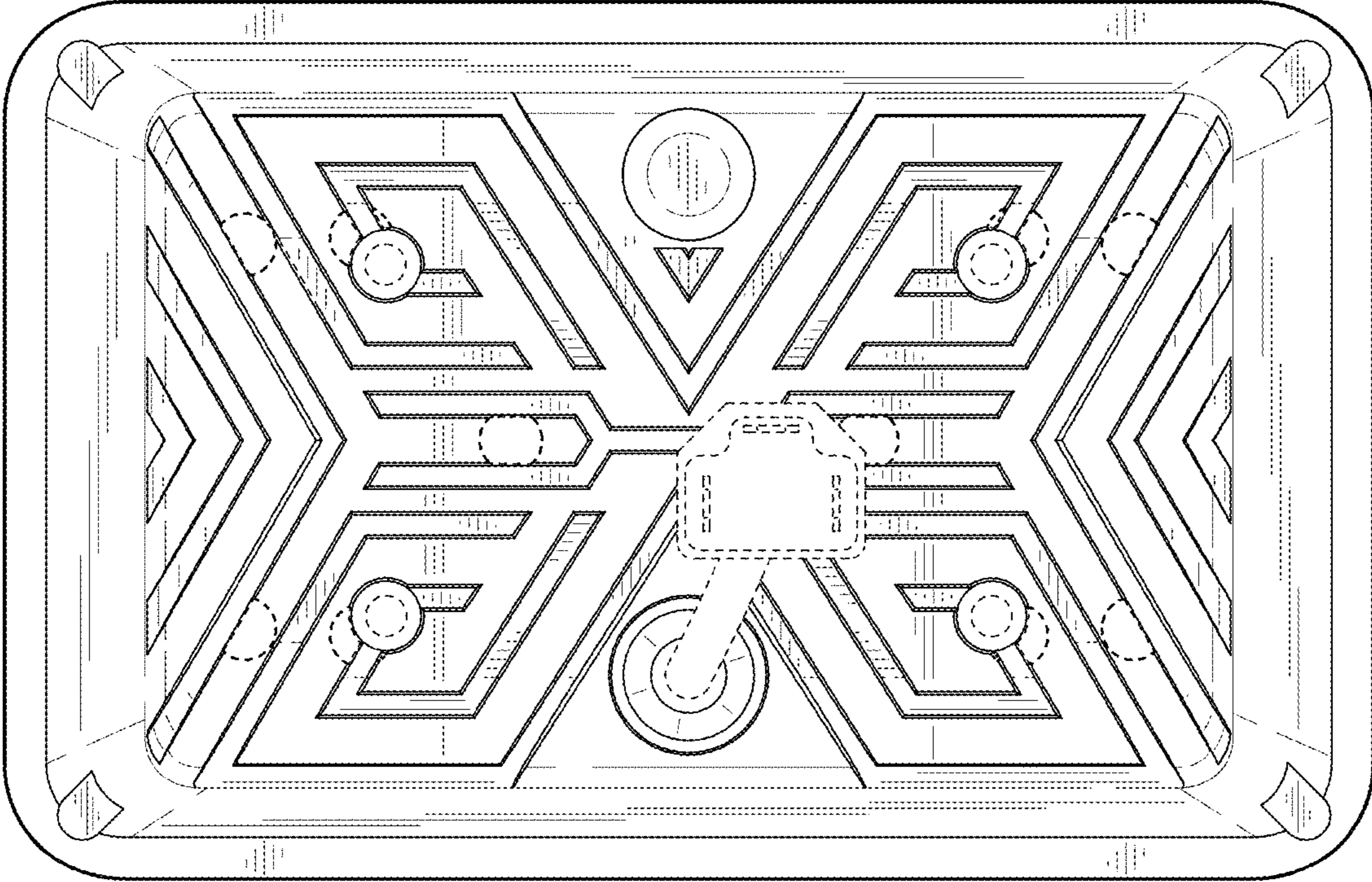


FIG. 4

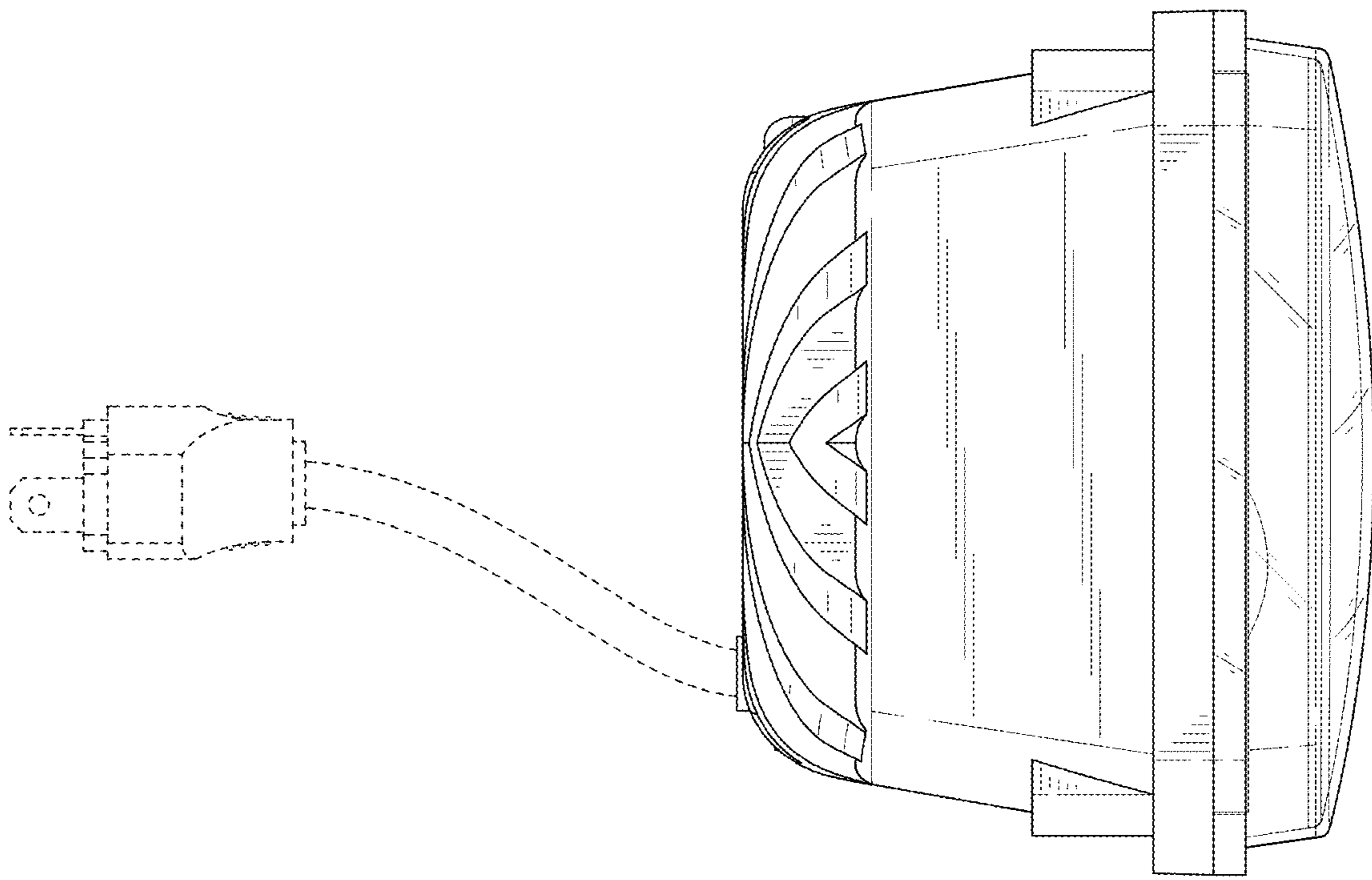


FIG. 5

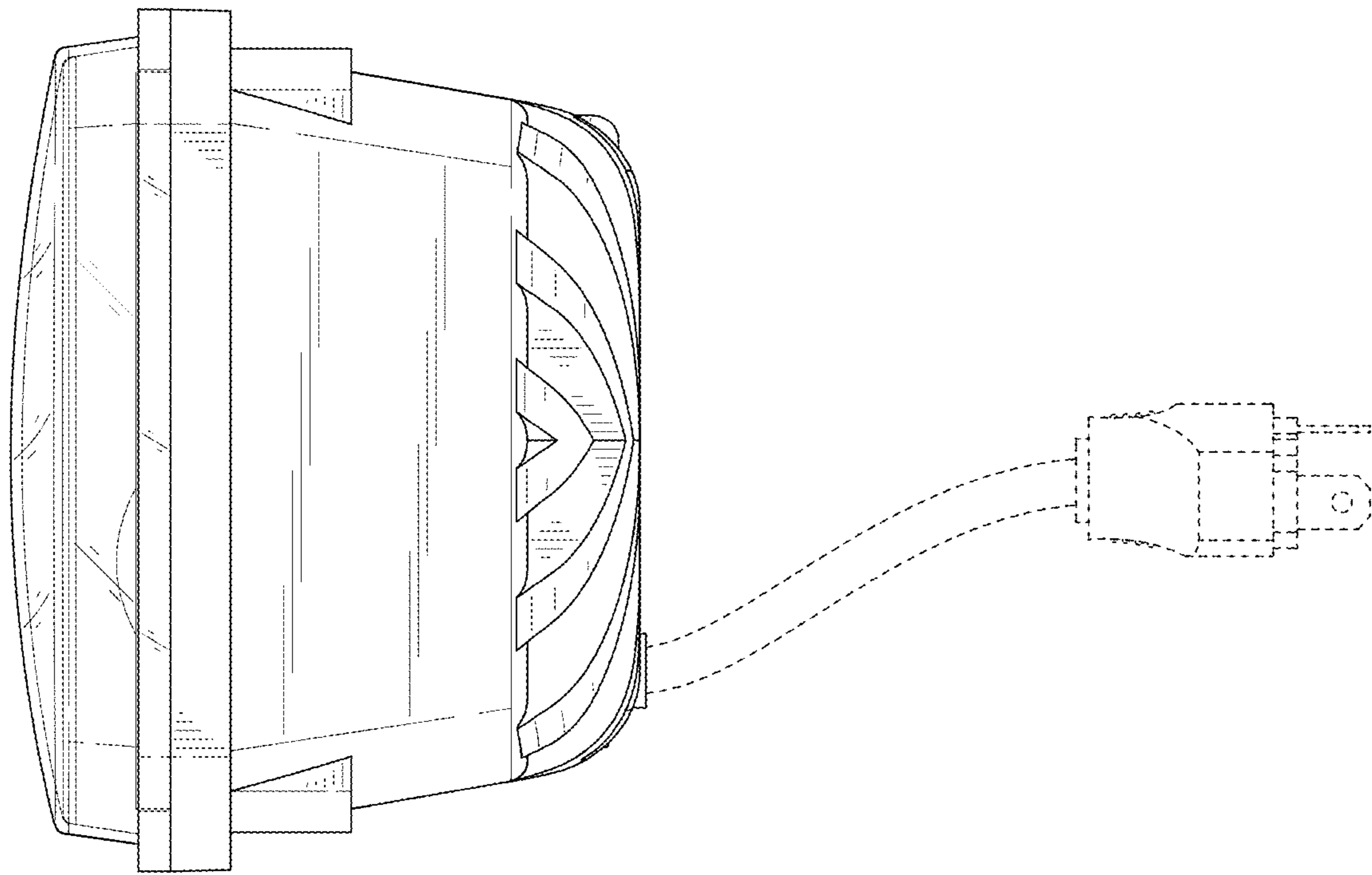


FIG. 6

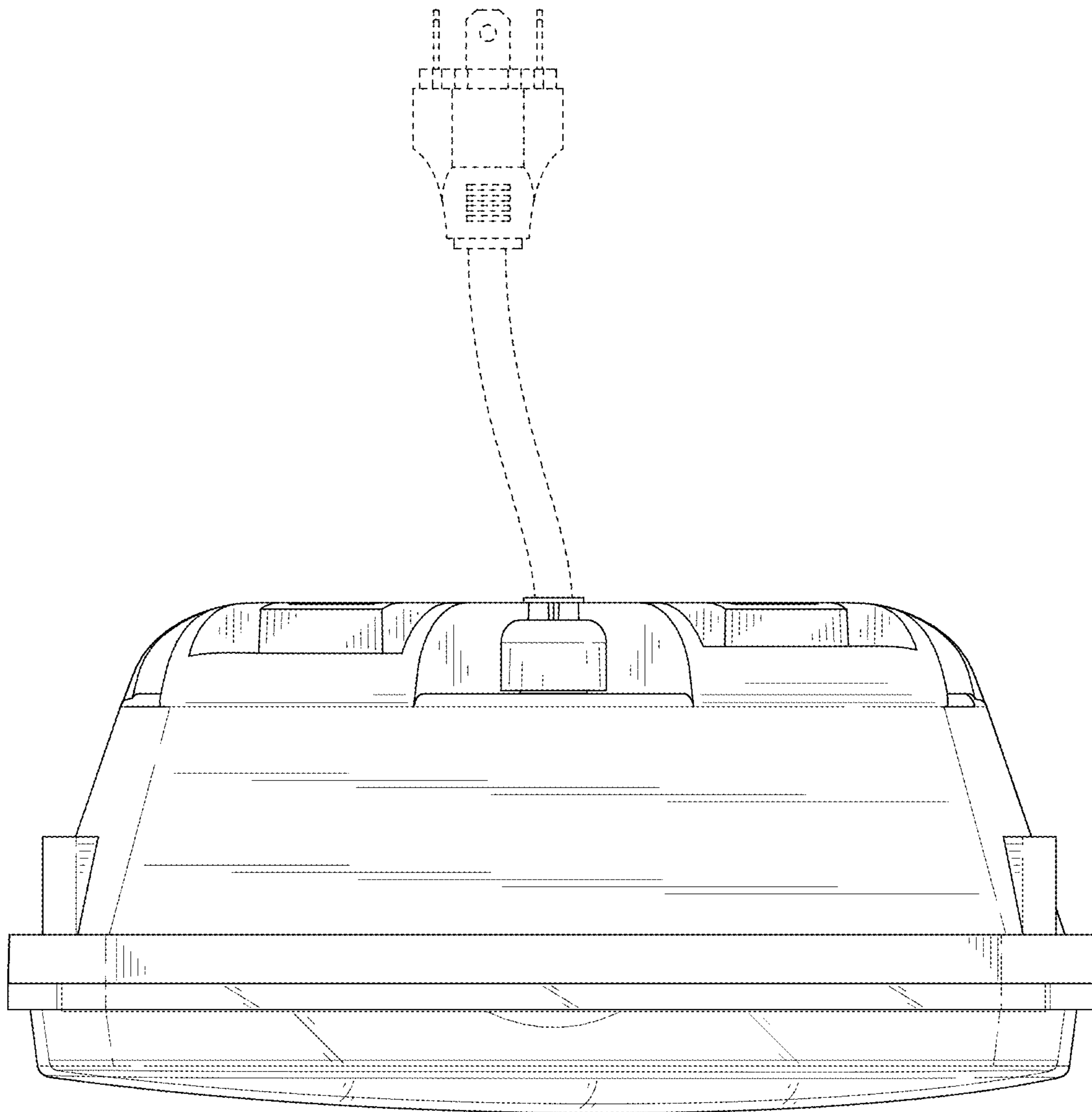


FIG. 7

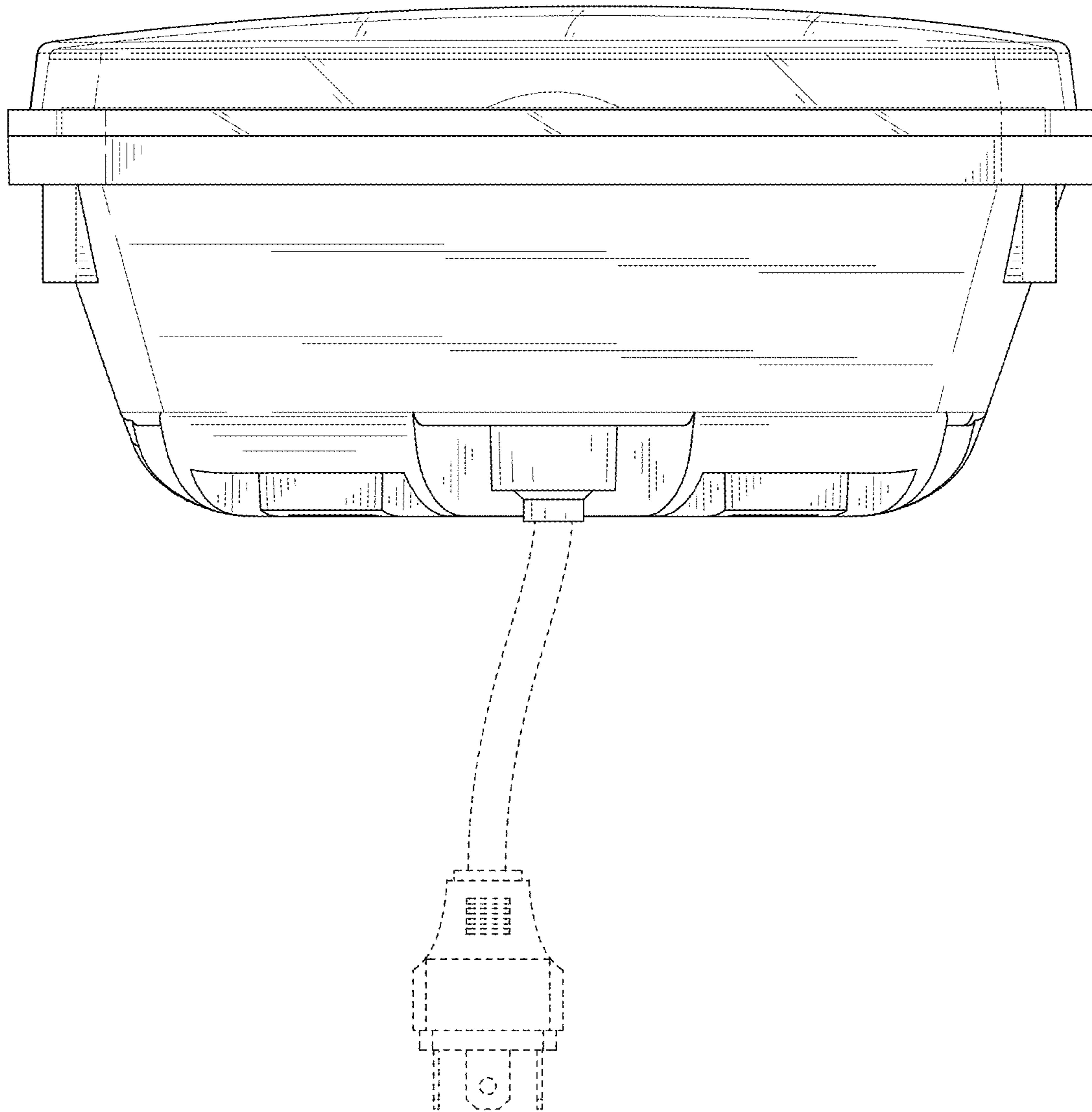


FIG. 8