



US00D963212S

(12) **United States Design Patent** (10) **Patent No.:** **US D963,212 S**
Langhals et al. (45) **Date of Patent:** **** Sep. 6, 2022**

(54) **TAIL LAMP (INNER)**

(56) **References Cited**

(71) Applicants: **Taylor A. Langhals**, Waterford, MI (US); **Tome Jovanoski**, Shelby Township, MI (US); **Timothy W. Anness**, Rochester Hills, MI (US)

U.S. PATENT DOCUMENTS

D676,166	S	*	2/2013	Lai	D26/28
D706,471	S	*	6/2014	Lai	D26/28
D718,893	S	*	12/2014	Lai	D26/28
D720,870	S	*	1/2015	Lim	D26/28
D721,450	S	*	1/2015	Lai	D26/28
D761,463	S	*	7/2016	Lai	D26/28
D796,715	S	*	9/2017	Lin	D26/28

(72) Inventors: **Taylor A. Langhals**, Waterford, MI (US); **Tome Jovanoski**, Shelby Township, MI (US); **Timothy W. Anness**, Rochester Hills, MI (US)

* cited by examiner

(73) Assignee: **FCA US LLC**, Auburn Hills, MI (US)

Primary Examiner — Marcus A Jackson

(**) Term: **15 Years**

(74) *Attorney, Agent, or Firm* — Ralph E. Smith

(21) Appl. No.: **29/815,323**

(57) **CLAIM**

(22) Filed: **Nov. 12, 2021**

The ornamental design for a tail lamp (inner), as shown and described.

Related U.S. Application Data

(63) Continuation-in-part of application No. 29/727,311, filed on Mar. 10, 2020, now Pat. No. Des. 935,939.

(51) **LOC (13) Cl.** **26-06**

(52) **U.S. Cl.**
USPC **D26/28**

(58) **Field of Classification Search**
USPC D26/28-36, 139
CPC F21S 48/00; F21S 48/10; F21S 48/115;
F21S 48/225; F21S 48/1233; F21S 48/1266; F21S 48/1388; F21S 48/2268;
F21V 5/00; F21V 21/04; F21V 29/004;
B60Q 9/13; B60Q 9/135; B60Q 9/1375;
F21W 2102/17; F21W 2103/00; F21W 2103/35; F21W 2103/55; F21W 2107/13;
F21W 2107/17

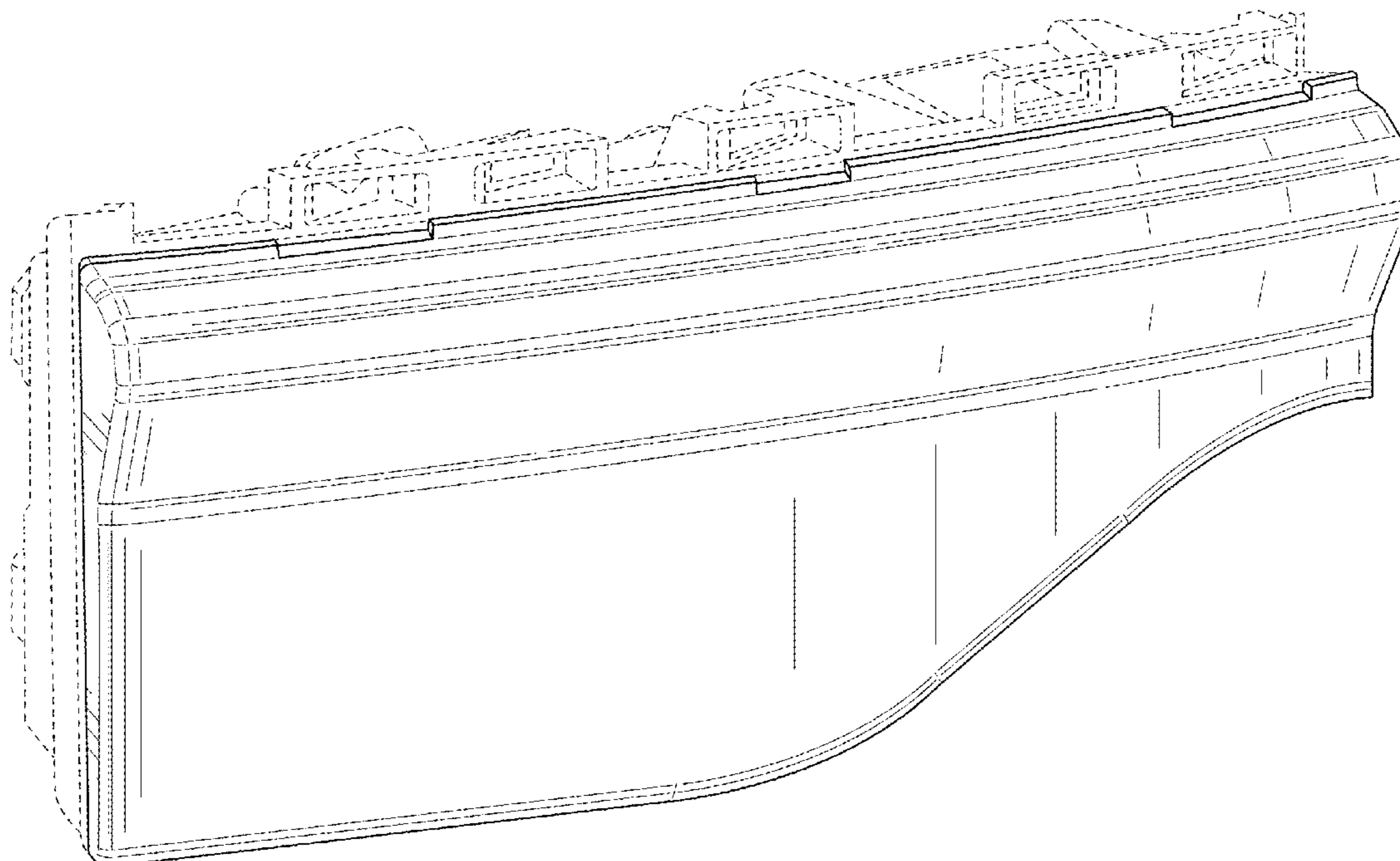
See application file for complete search history.

DESCRIPTION

FIG. 1 is a perspective view of a tail lamp (inner) showing our new design;
FIG. 2 is a front perspective view thereof;
FIG. 3 is a rear perspective view thereof;
FIG. 4 is a front view thereof;
FIG. 5 is a rear view thereof;
FIG. 6 is a left side view thereof;
FIG. 7 is a right side view thereof;
FIG. 8 is a top view thereof; and,
FIG. 9 is a bottom view thereof.

It will be understood that the broken lines shown in the drawings illustrate portions of the tail lamp (inner) that form no part of the claimed design. What is claimed:

1 Claim, 9 Drawing Sheets



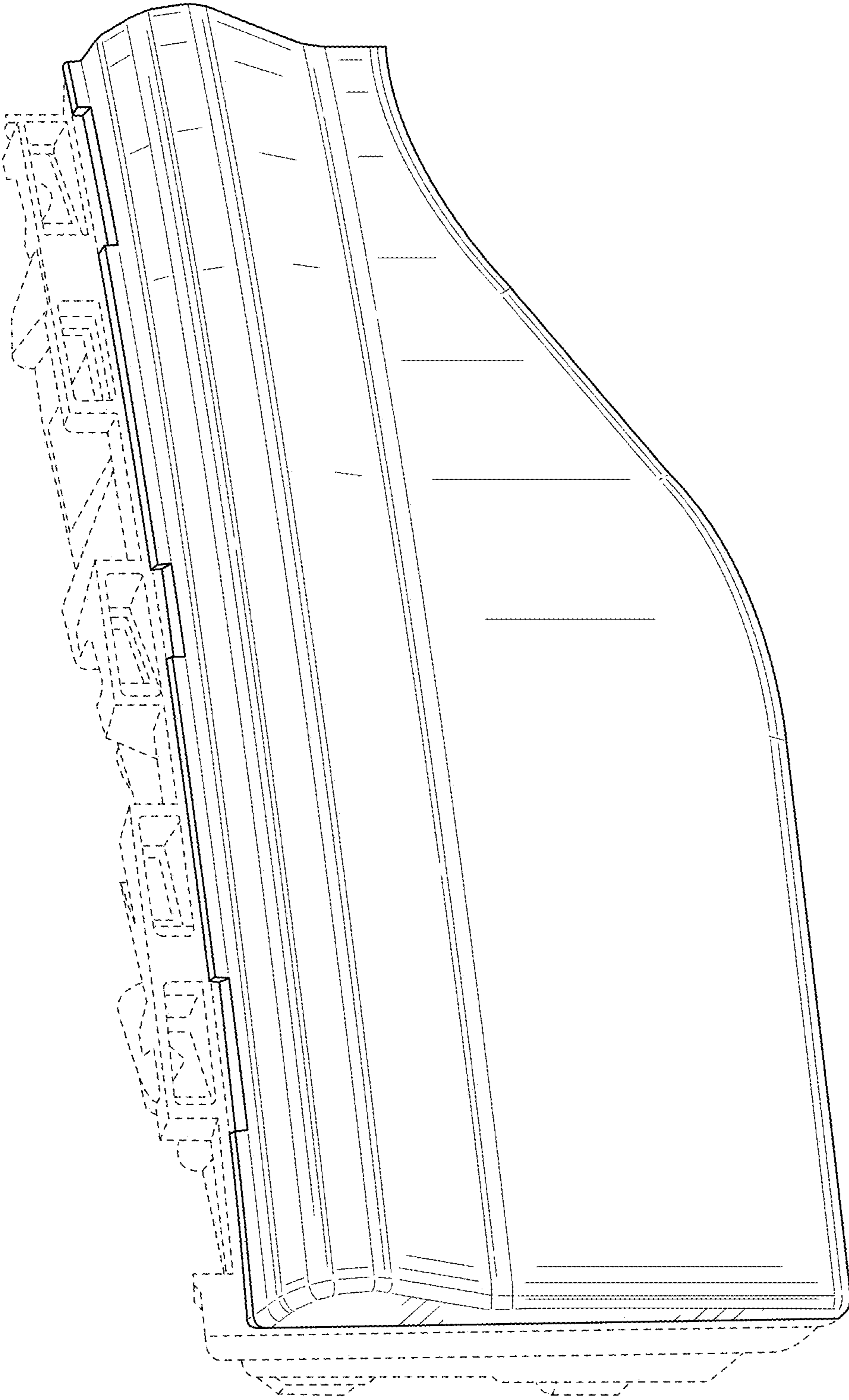


FIG. 1

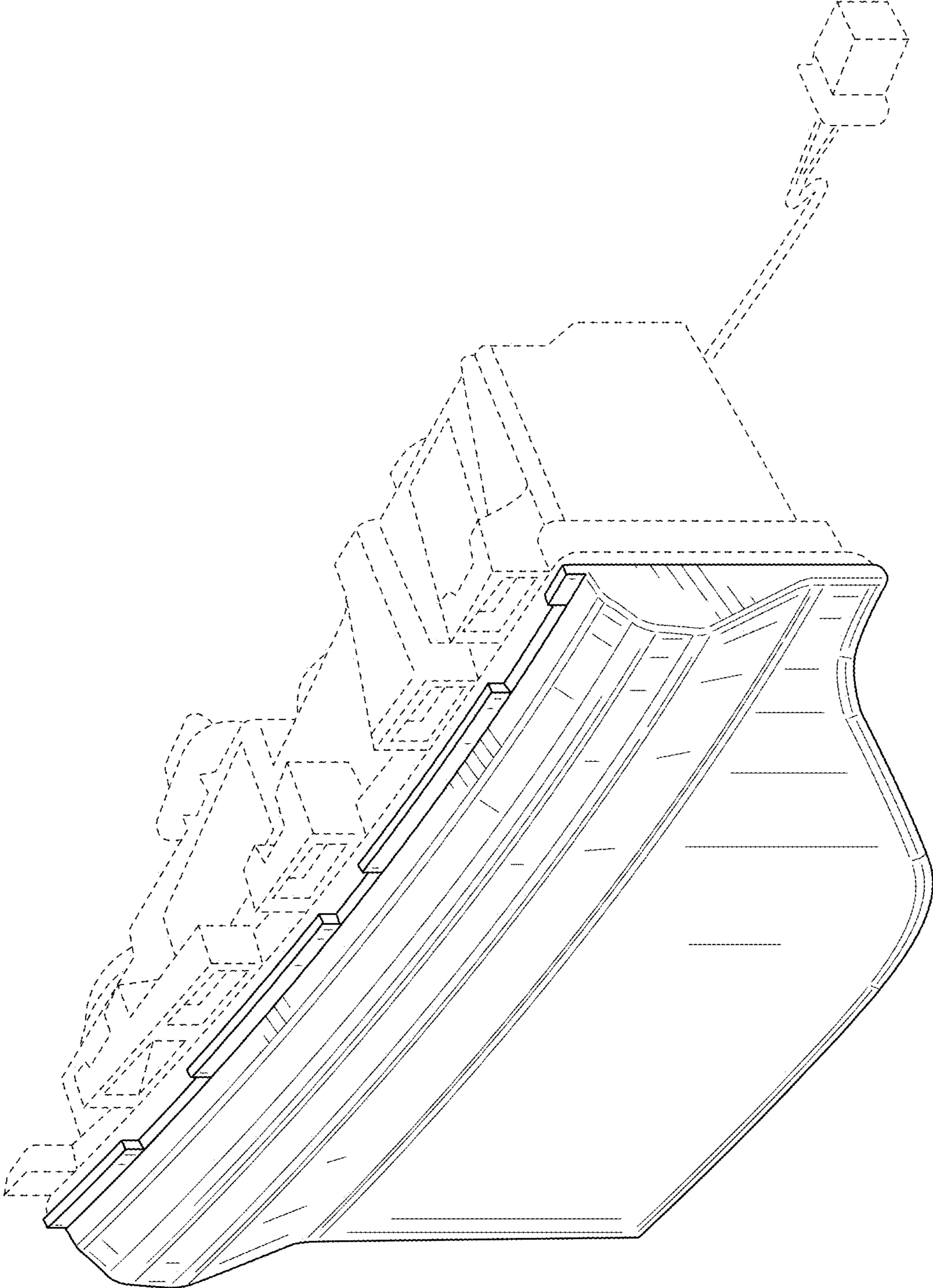


FIG. 2

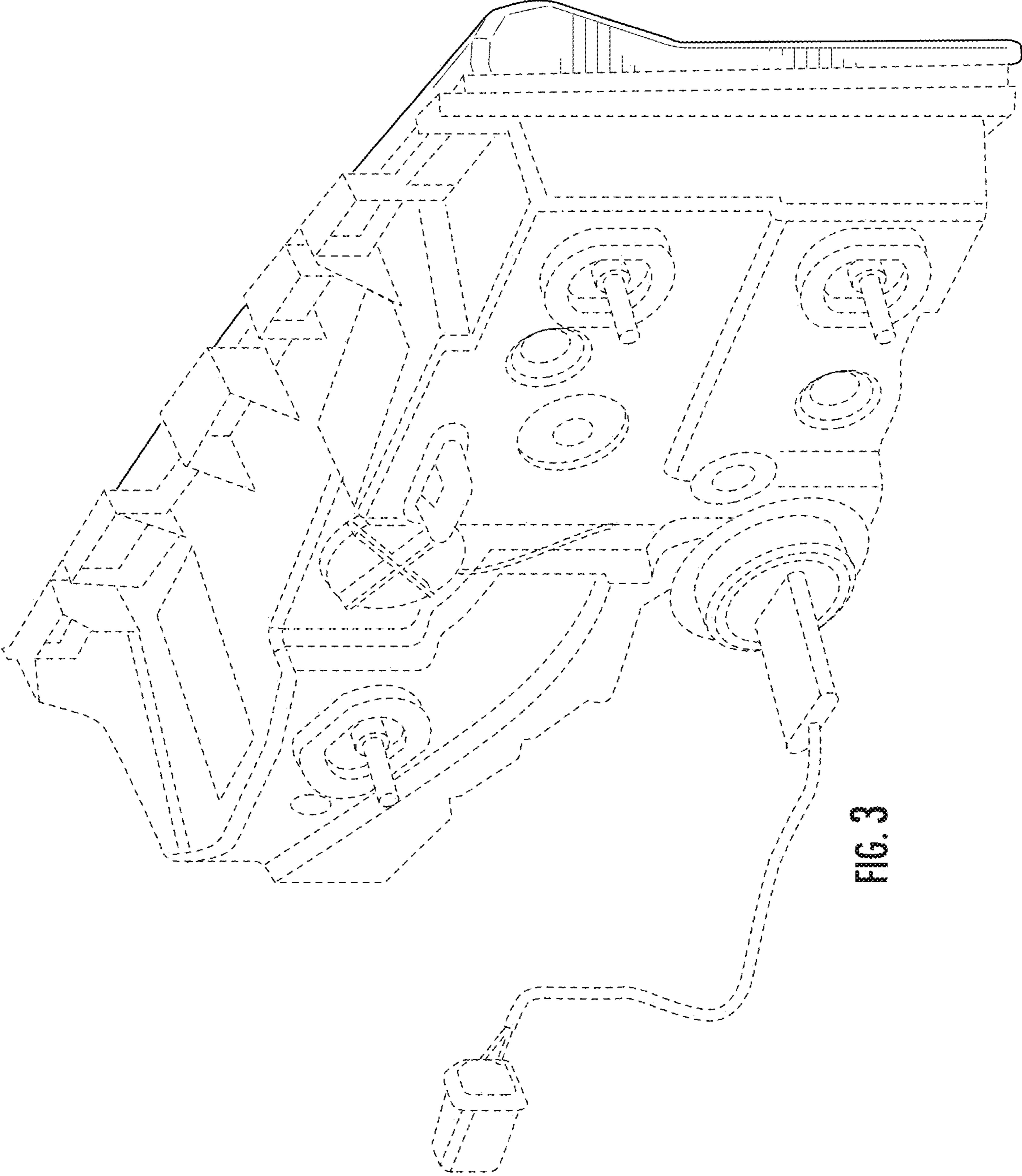


FIG. 3

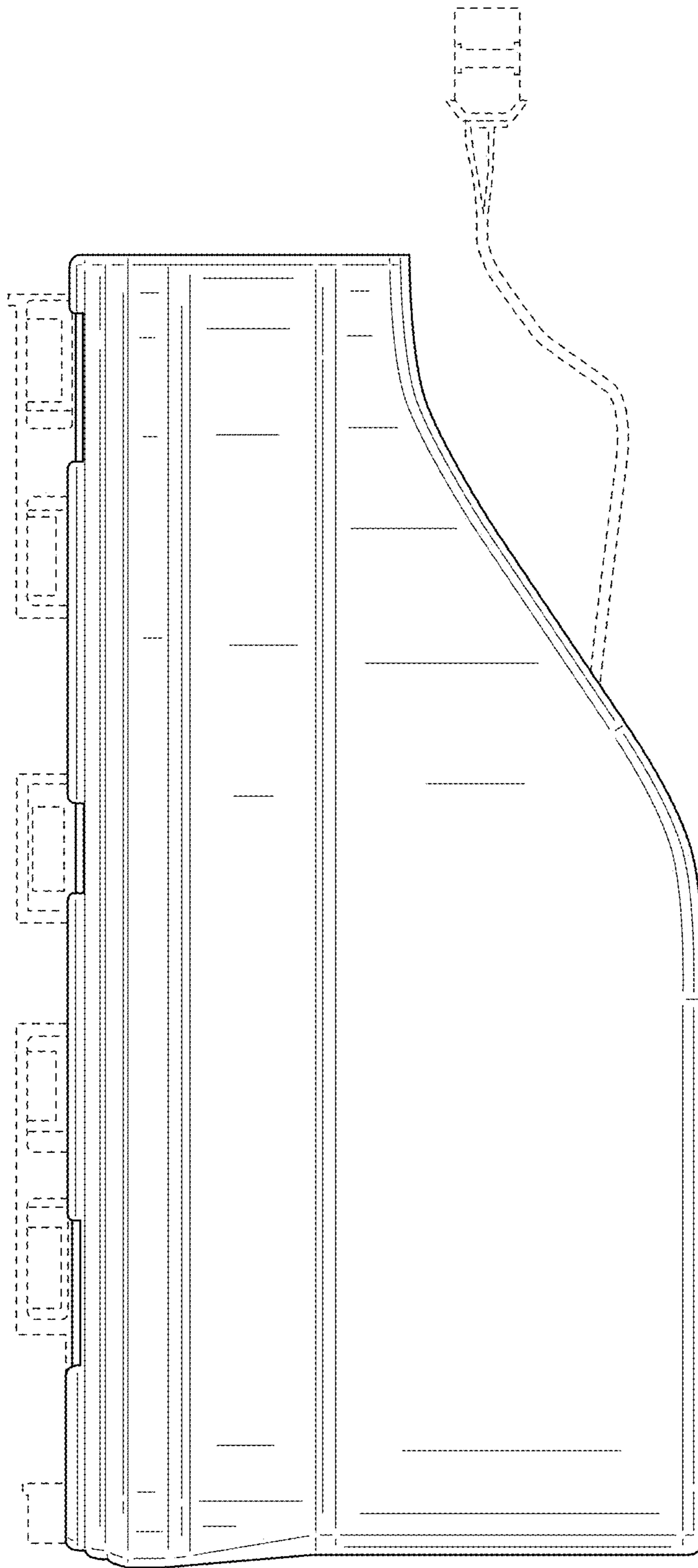


FIG. 4

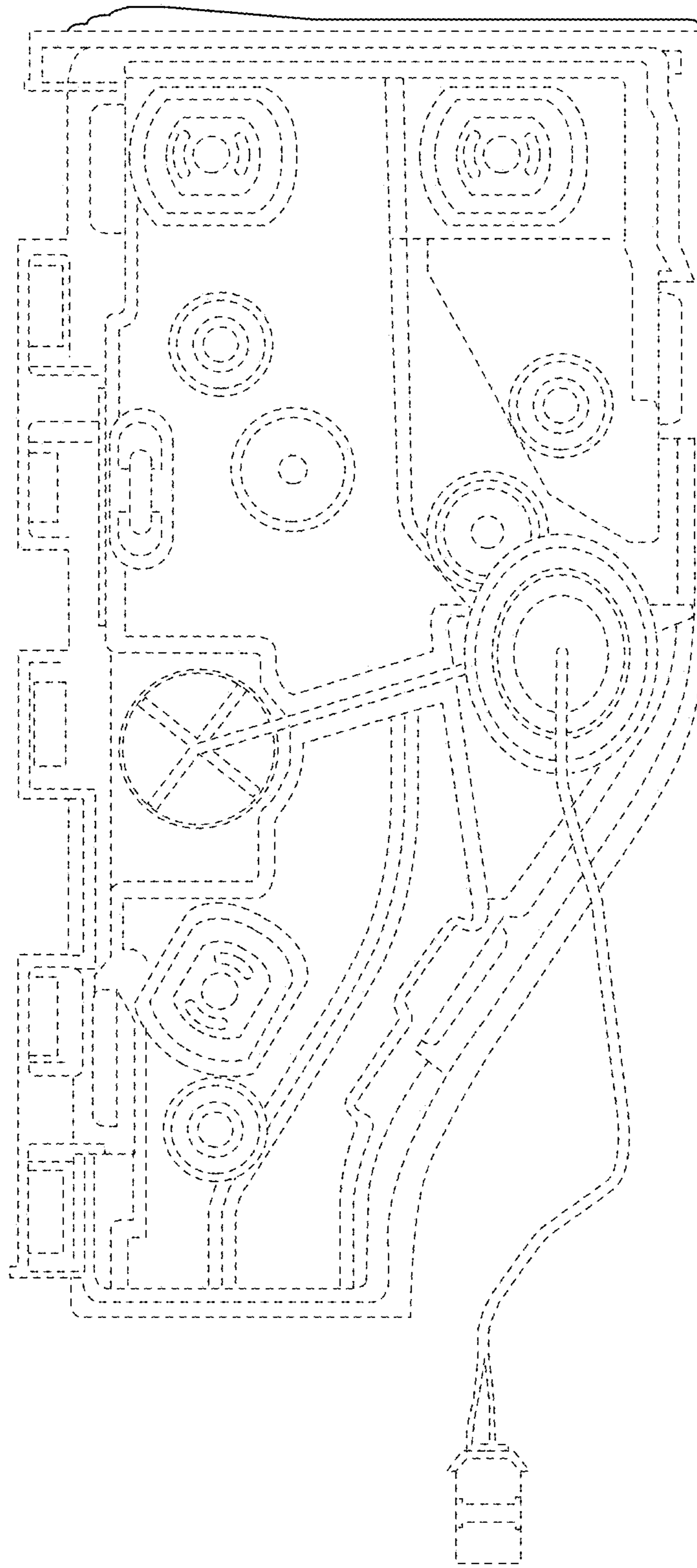


FIG. 5

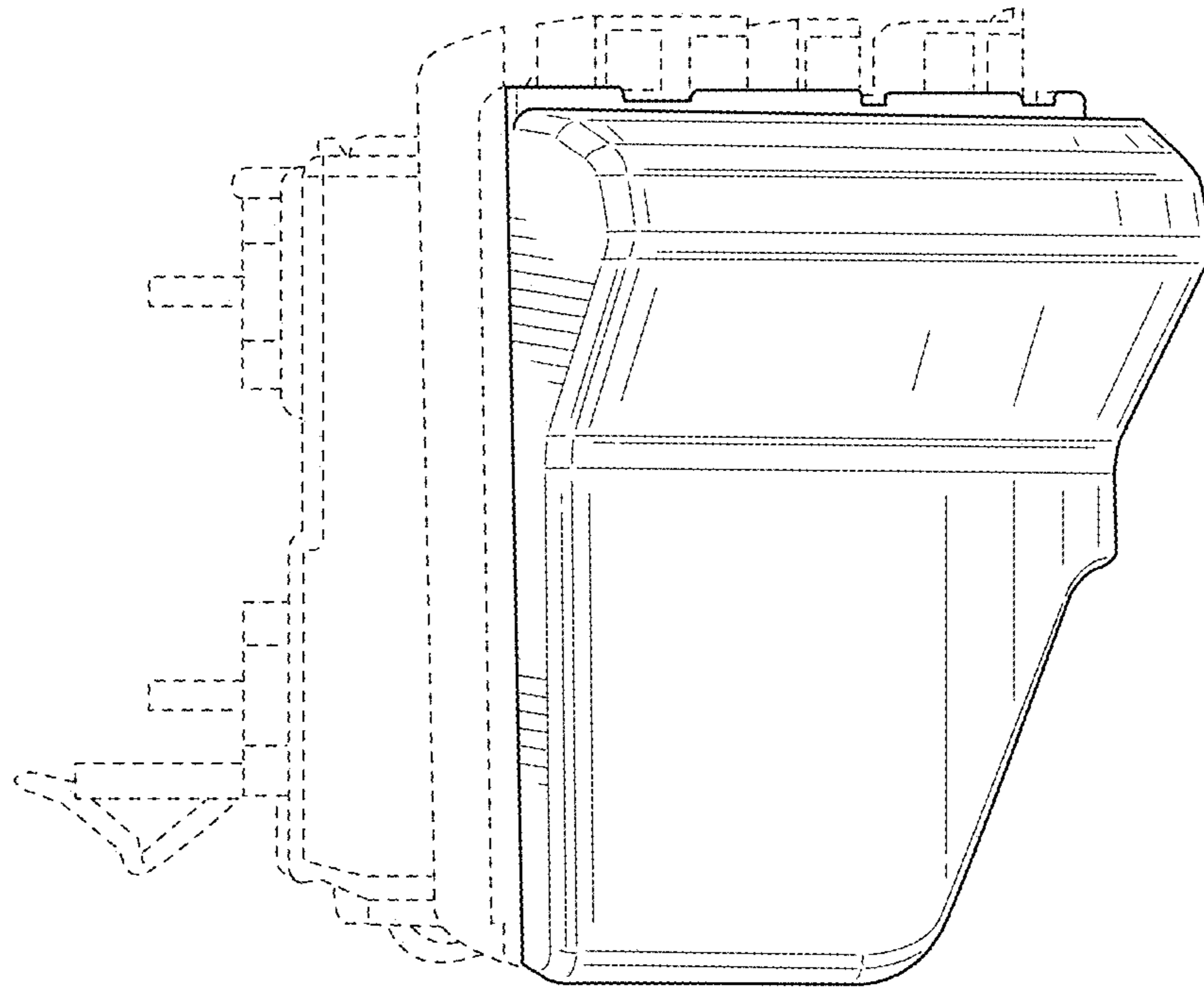


FIG. 6

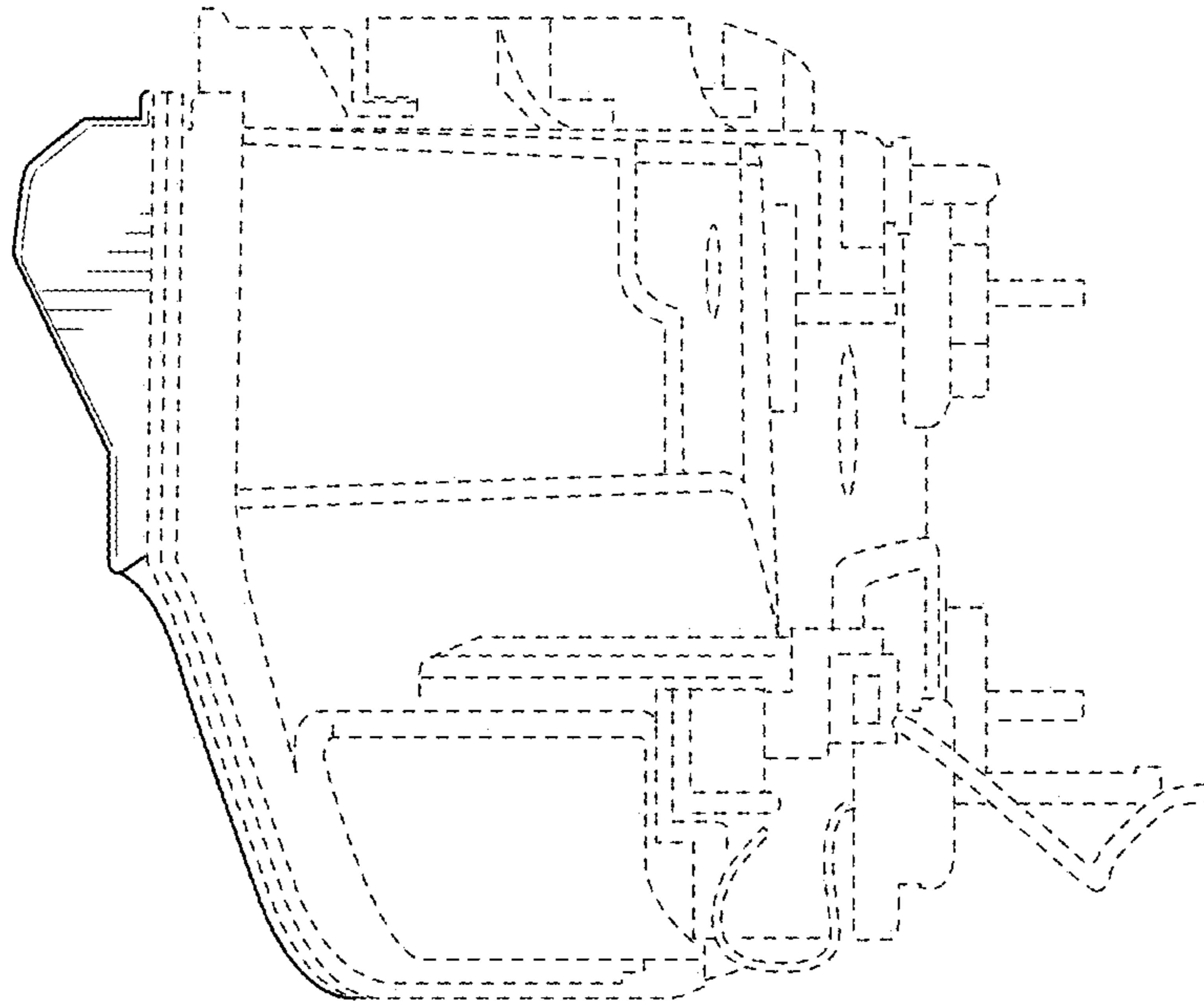


FIG. 7

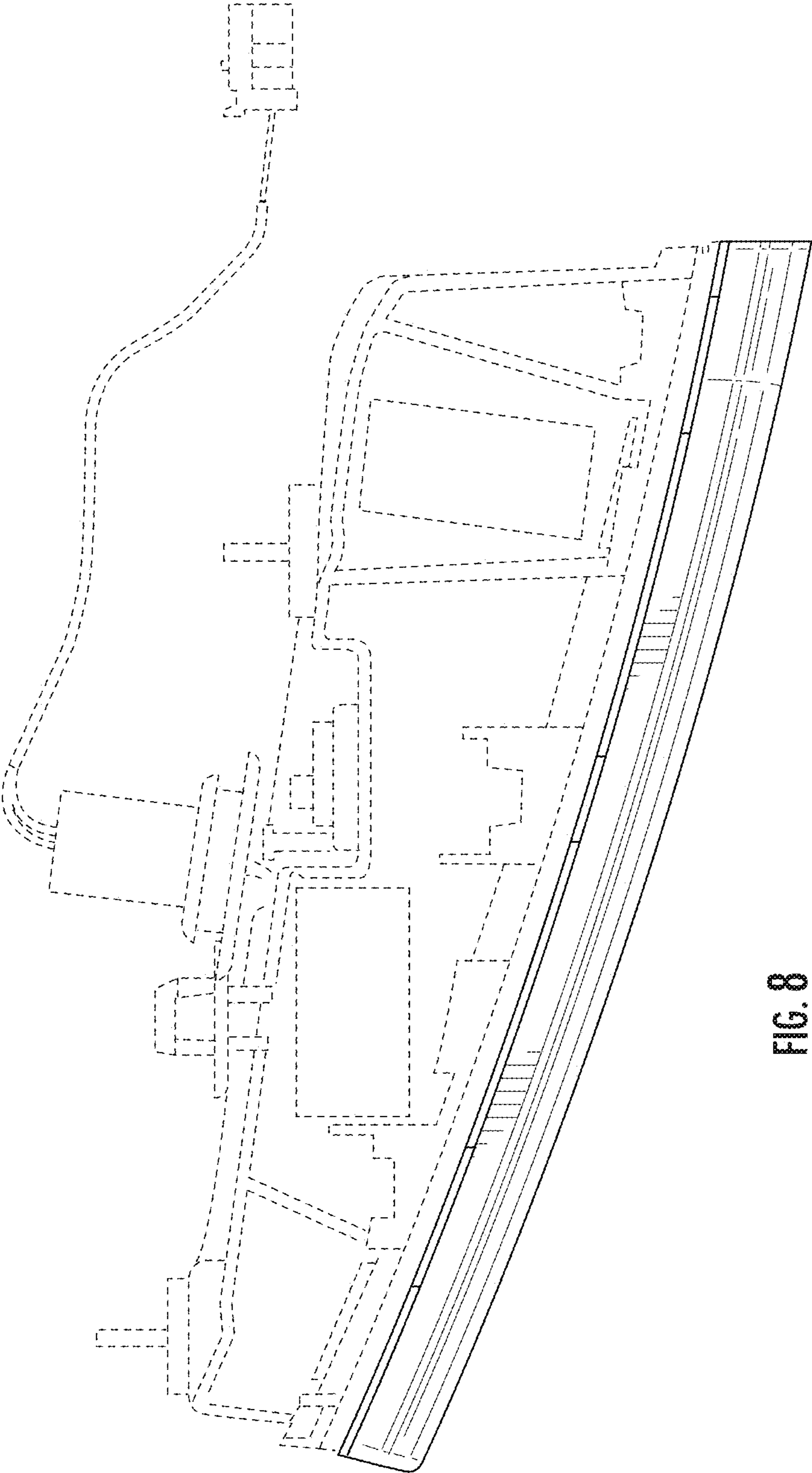


FIG. 8

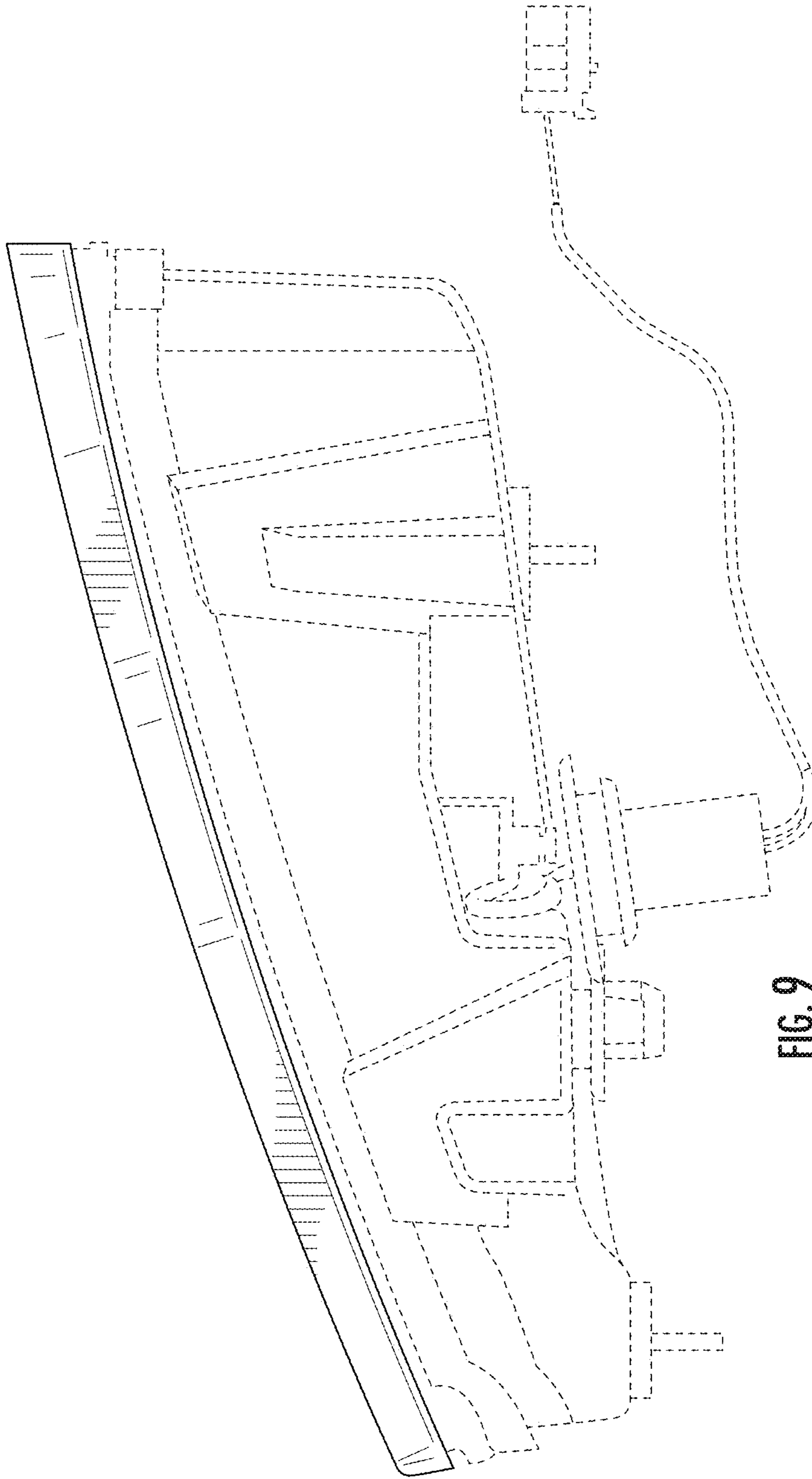


FIG. 9