



US00D963207S

(12) **United States Design Patent** (10) **Patent No.:** **US D963,207 S**
King (45) **Date of Patent:** **** Sep. 6, 2022**

(54) **LAMP**
(71) Applicant: **BDZ Investments Ltd**, Newbury (GB)
(72) Inventor: **John King**, Newbury (GB)
(73) Assignee: **BDZ INVESTMENTS LTD**, Newbury (GB)
(**) Term: **15 Years**
(21) Appl. No.: **29/699,675**
(22) Filed: **Jul. 28, 2019**
(30) **Foreign Application Priority Data**

Jan. 29, 2019 (EM) 006108122-0001

(51) **LOC (13) Cl.** **26-03**
(52) **U.S. Cl.**
USPC **D26/24**
(58) **Field of Classification Search**
USPC ... D26/1, 24, 25, 37, 38, 51, 60, 70, 72, 76,
D26/80, 118, 120; D21/398, 478, 479,
D21/484
CPC F21S 6/00; F21S 6/002; F21S 6/003; F21S
2/005; F21S 8/046; F21Y 2105/10; F21Y
2105/12; F21Y 2105/14; F21Y 2105/16;
F21Y 2105/18; F21Y 2103/10; F21Y
2103/20; F21Y 2115/10; F21Y 2113/00;
F21Y 2113/20; F21V 21/00; F21V 21/005
See application file for complete search history.

(56) **References Cited**

U.S. PATENT DOCUMENTS

D475,355 S * 6/2003 Hori D13/182
D548,384 S * 8/2007 Komar D26/37
D578,084 S * 10/2008 Kobayakawa D13/180
D578,969 S * 10/2008 Kobayakawa D13/180

D590,528 S * 4/2009 Supiot D26/37
D625,877 S * 10/2010 Hsu D26/80
D629,369 S * 12/2010 Lin D13/180
D630,172 S * 1/2011 Lin D13/180
D630,777 S * 1/2011 Lee D26/24
D635,529 S * 4/2011 Hsu D13/180
D665,365 S * 8/2012 Lee D13/180
D697,877 S * 1/2014 Hsu D13/180
D709,211 S * 7/2014 Calvin D26/24
D710,316 S * 8/2014 Ikeda D13/180
D718,726 S * 12/2014 Lo D13/180
D742,554 S * 11/2015 Kanemaru D26/1
D813,436 S * 3/2018 Verelst D26/72
D851,790 S * 6/2019 Reiherzer D26/24
D865,226 S * 10/2019 Liu D26/1
D890,961 S * 7/2020 Reiherzer D26/24
D929,620 S * 8/2021 Wu D26/24
D930,857 S * 9/2021 Nakabayashi H01L 33/62
D26/1

(Continued)

Primary Examiner — Wan Laymon
Assistant Examiner — Clint A Samuel
(74) *Attorney, Agent, or Firm* — McClure, Qualey &
Rodack, LLP

(57) **CLAIM**

The ornamental design for a lamp, as shown and described.

DESCRIPTION

FIG. 1 is a top view of a lamp, showing our new design, with the bottom view (not shown) being a mirror image thereof; FIG. 2 is a side view thereof, with the opposite side view (not shown) being a mirror image thereof; FIG. 3 is a front view thereof; FIG. 4 is a perspective view from above, front and to one side; FIG. 5 is a back view thereof; and, FIG. 6 is a perspective view from above, back and to one side.

1 Claim, 3 Drawing Sheets



(56)

References Cited

U.S. PATENT DOCUMENTS

2012/0062152 A1* 3/2012 Sanfilippo F21S 2/005
315/312

* cited by examiner

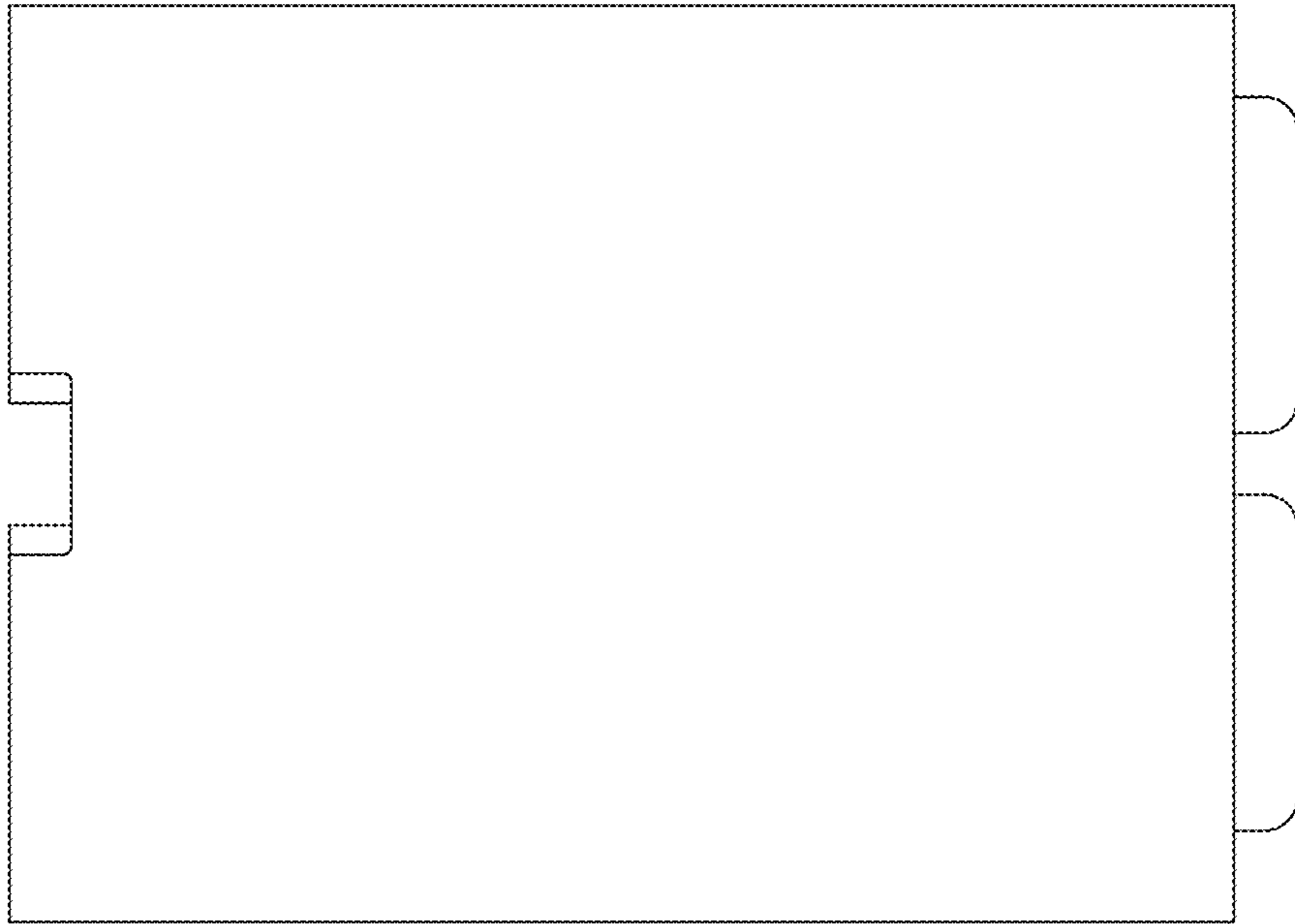


FIG. 1

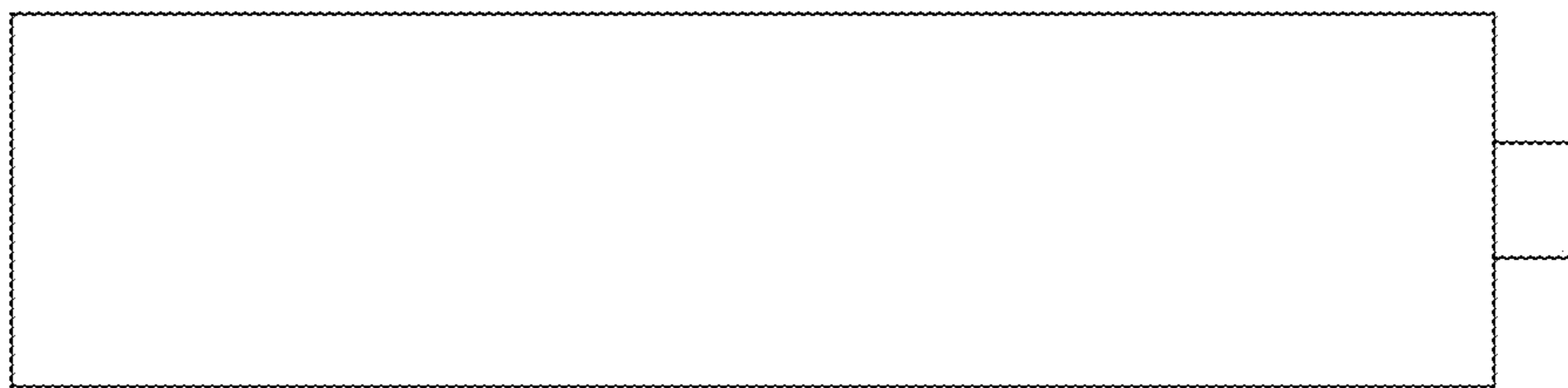


FIG. 2

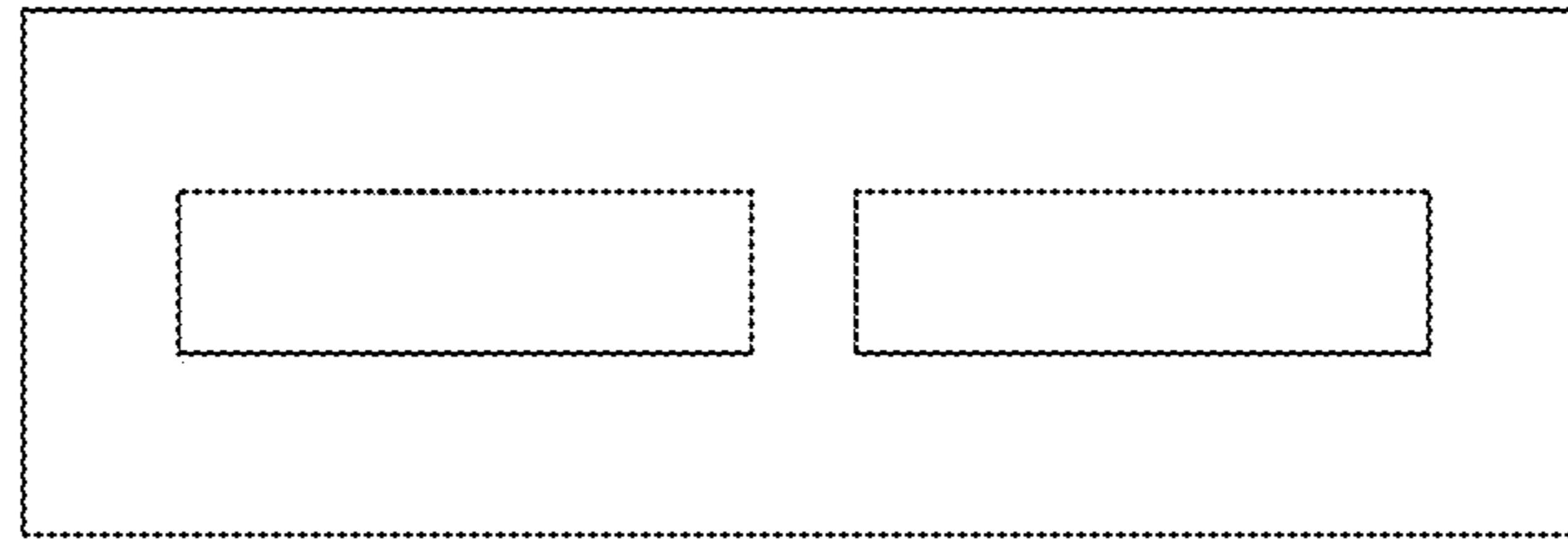


FIG. 3

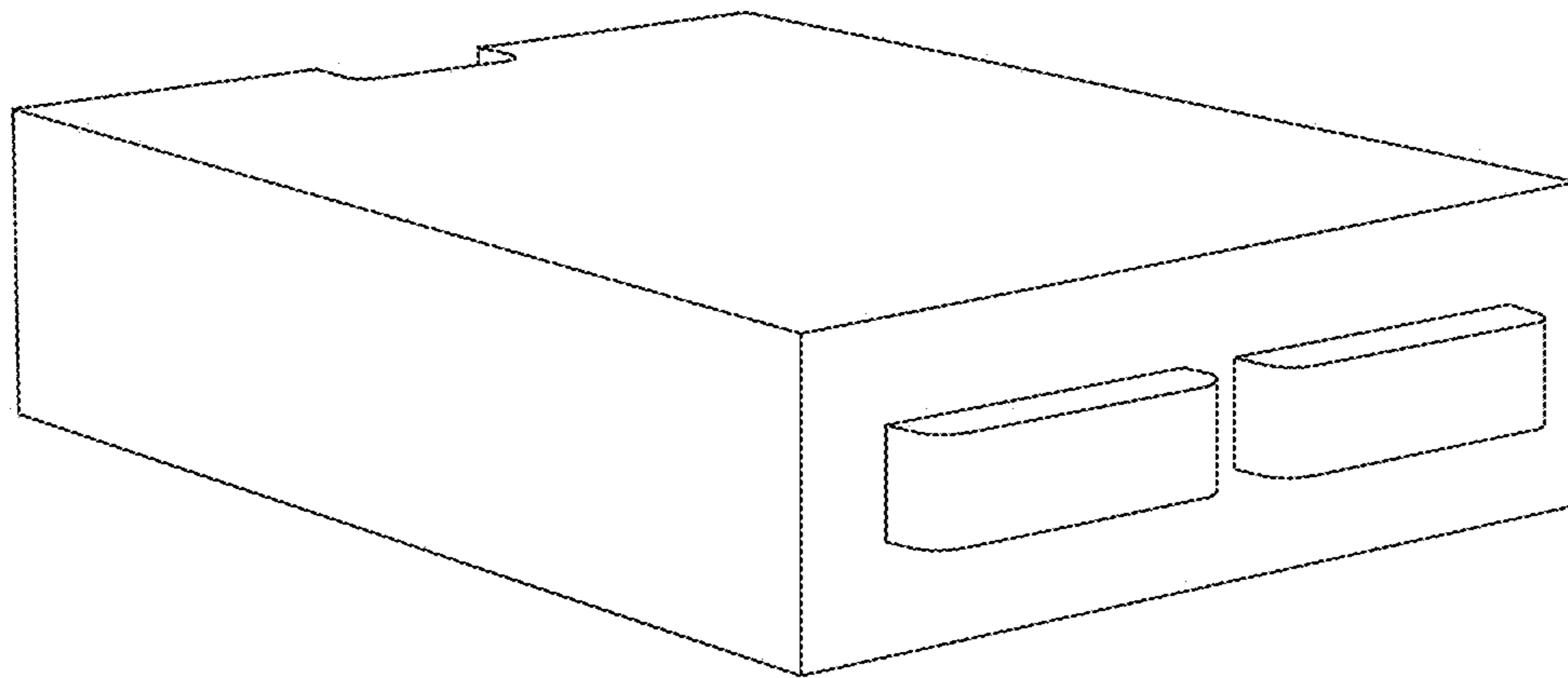


FIG. 4

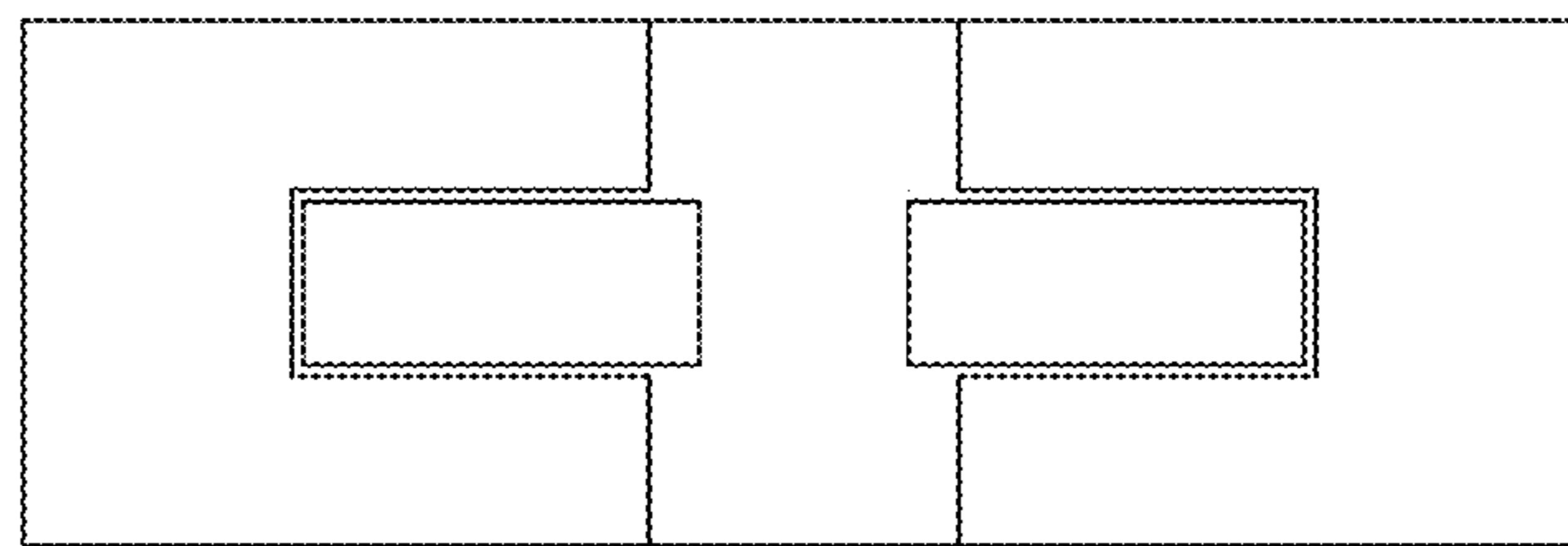


FIG. 5

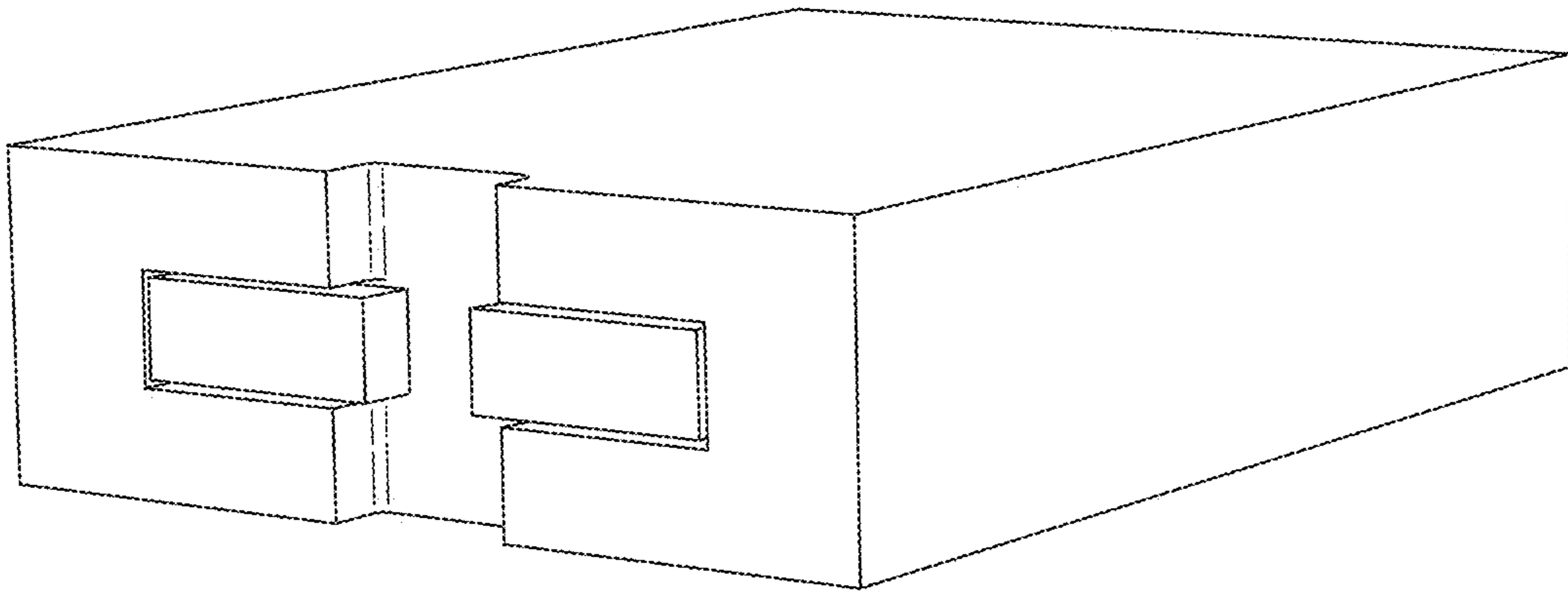


FIG. 6