



US00D963201S

(12) **United States Design Patent** (10) **Patent No.:** **US D963,201 S**
Ritter (45) **Date of Patent:** **** Sep. 6, 2022**

(54) **TILE REPLACEMENT FLASHING**

(71) Applicant: **K2 Systems, LLC**, Vista, CA (US)

(72) Inventor: **Ben Ritter**, Vineyard, MA (US)

(73) Assignee: **K2 Systems, LLC**, Vista, CA (US)

(**) Term: **15 Years**

(21) Appl. No.: **29/769,490**

(22) Filed: **Feb. 5, 2021**

(51) **LOC (13) Cl.** **25-01**

(52) **U.S. Cl.**

USPC **D25/141**

(58) **Field of Classification Search**

USPC D25/141, 143, 139, 199

CPC ... E04D 13/15; E04D 13/155; E04D 13/1643;

E04D 3/40; E04D 3/38; E04D 2013/0422;

E04D 1/30; E04D 1/36; E04D 2001/308;

E06B 1/62; E06B 2001/628

See application file for complete search history.

(56) **References Cited**

U.S. PATENT DOCUMENTS

D752,776 S * 3/2016 O'Neal D25/141

D764,687 S * 8/2016 Anderson D25/141

D868,296 S * 11/2019 Zombek D25/141

D908,927 S * 1/2021 Vaillant D25/143

2014/0147611 A1 * 5/2014 Ackerman, Jr. C09J 7/38

156/219

2020/0399902 A1 * 12/2020 Xie E04D 1/30

* cited by examiner

Primary Examiner — Doris Clark

(74) *Attorney, Agent, or Firm* — Smith Gambrell & Russell LLP

(57) **CLAIM**

The ornamental design for a tile replacement flashing, as shown and described.

DESCRIPTION

FIG. 1 is a front perspective view of a tile replacement flashing in accordance with the present invention;

FIG. 2 is a front elevation view of the tile replacement flashing in accordance with the present invention;

FIG. 3 is a back elevation view of the tile replacement flashing in accordance with the present invention;

FIG. 4 is a left side elevation view of the tile replacement flashing in accordance with the present invention;

FIG. 5 is a right side elevation view of the tile replacement flashing in accordance with the present invention;

FIG. 6 is a right side elevation view of the spirits bottle with its cap closed in accordance with the present invention;

FIG. 7 is a top plan view of the tile replacement flashing in accordance with the present invention; and

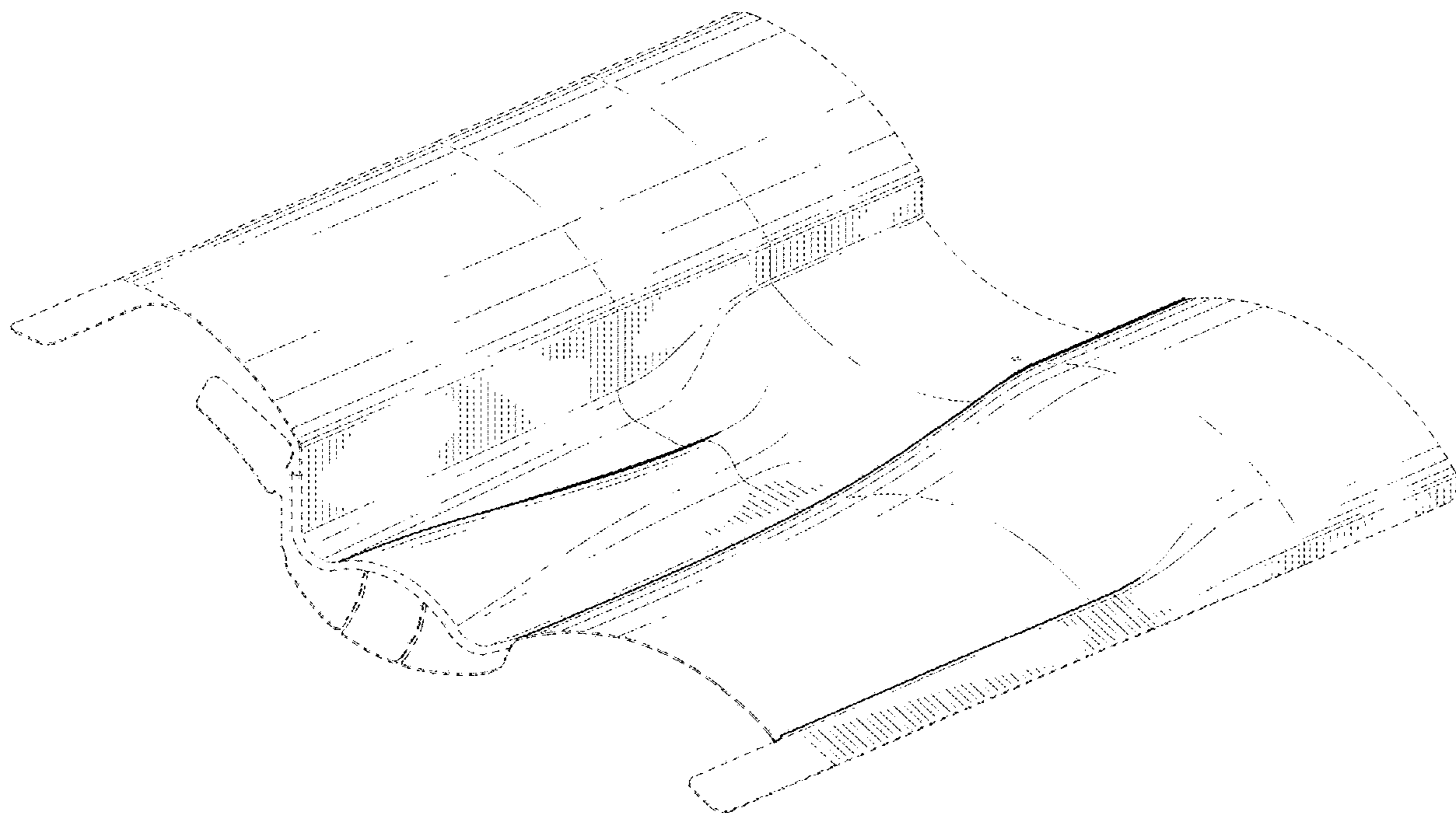
FIG. 8 is a bottom perspective view of the tile replacement flashing in accordance with the present invention;

FIG. 9 is a rear perspective view of the tile replacement flashing in accordance with the present invention; and,

FIG. 10 is a left side perspective view of the tile replacement flashing in accordance with the present invention.

The broken lines are for illustrative purposes only and form no part of the claimed design.

1 Claim, 8 Drawing Sheets



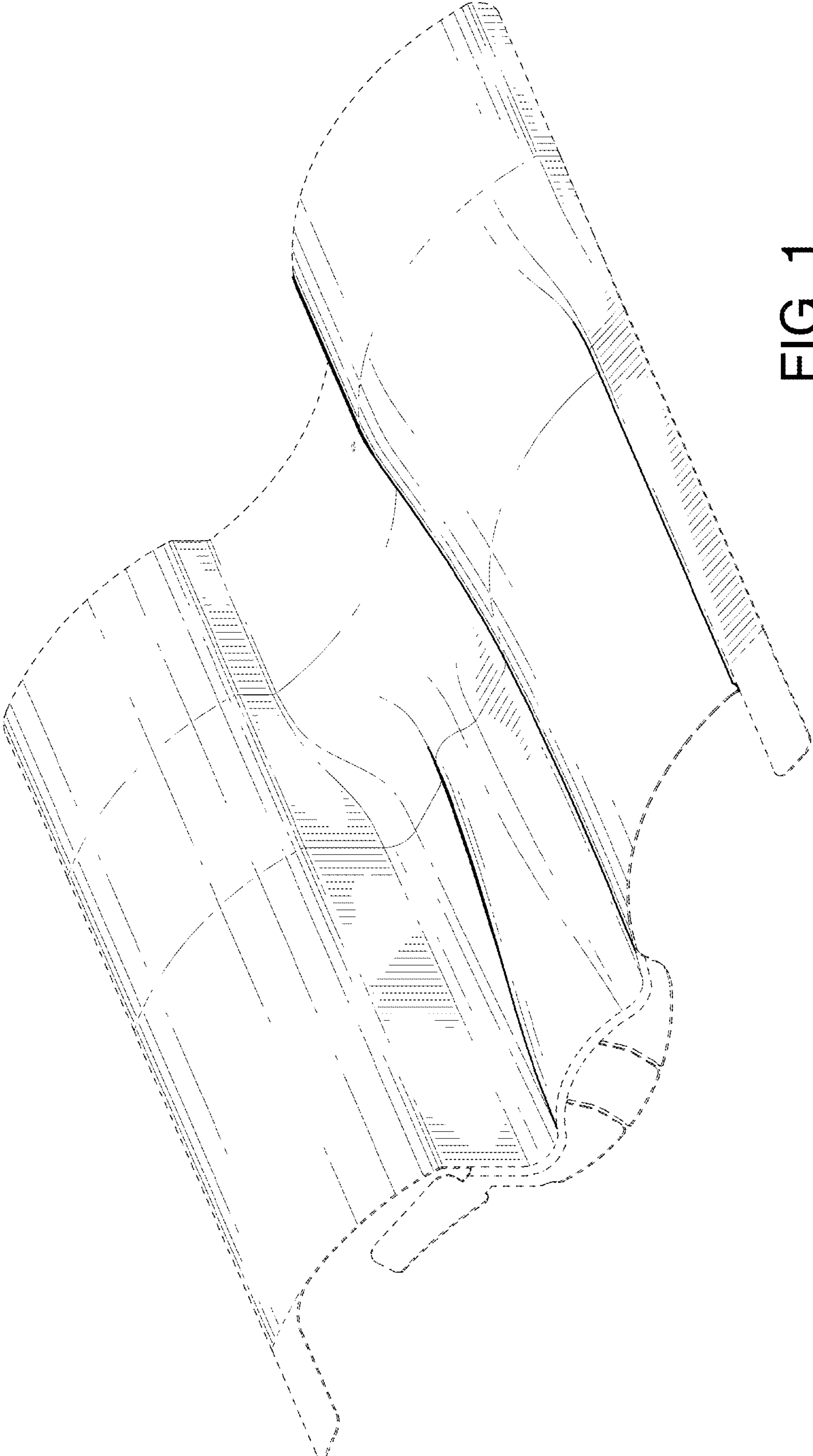


FIG. 1

FIG. 2

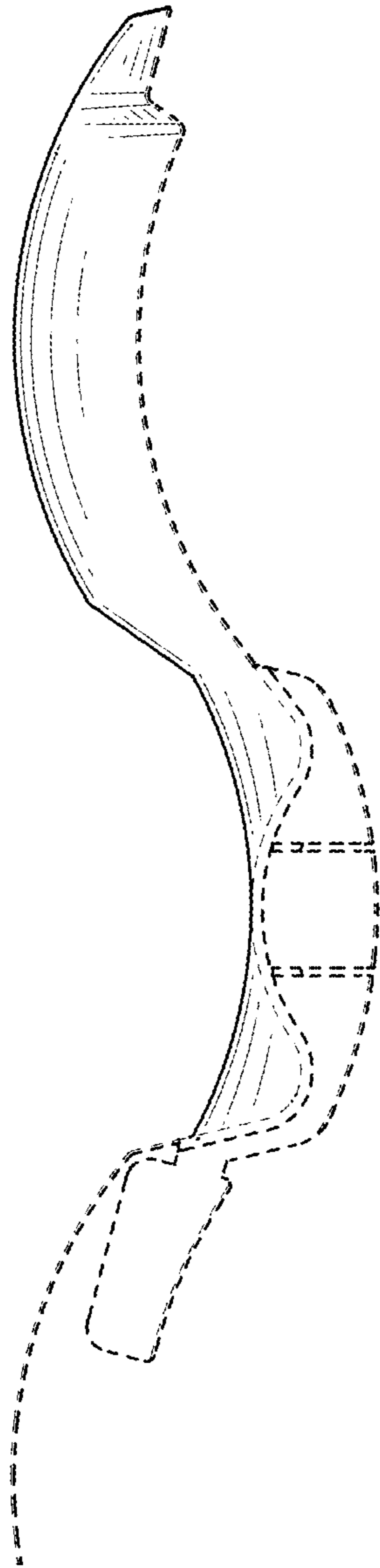


FIG. 3

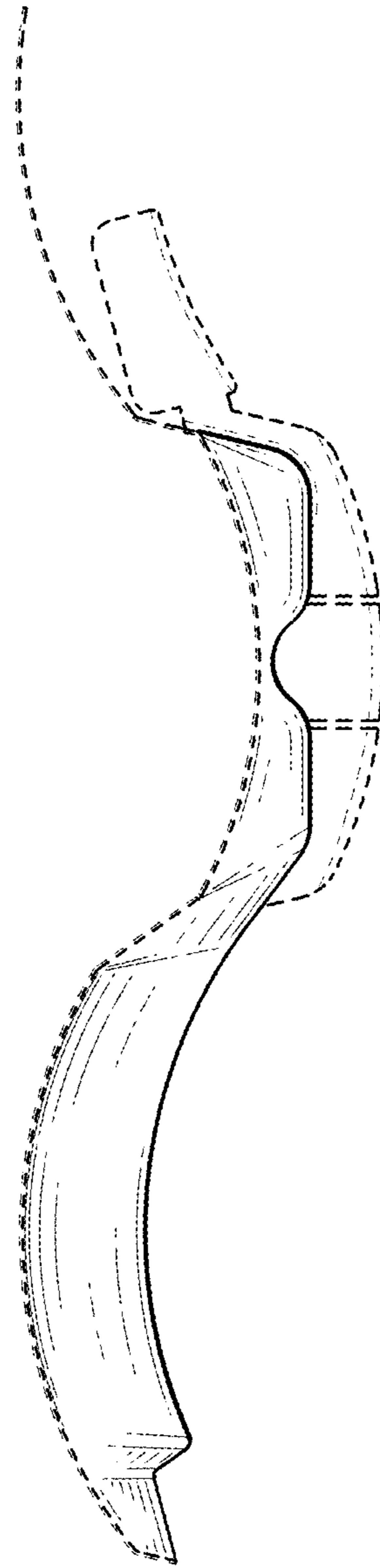




FIG. 4

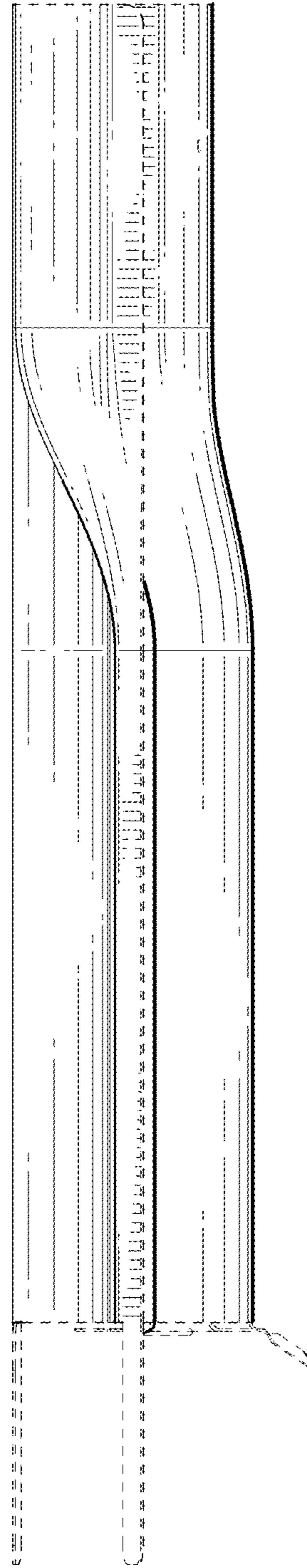
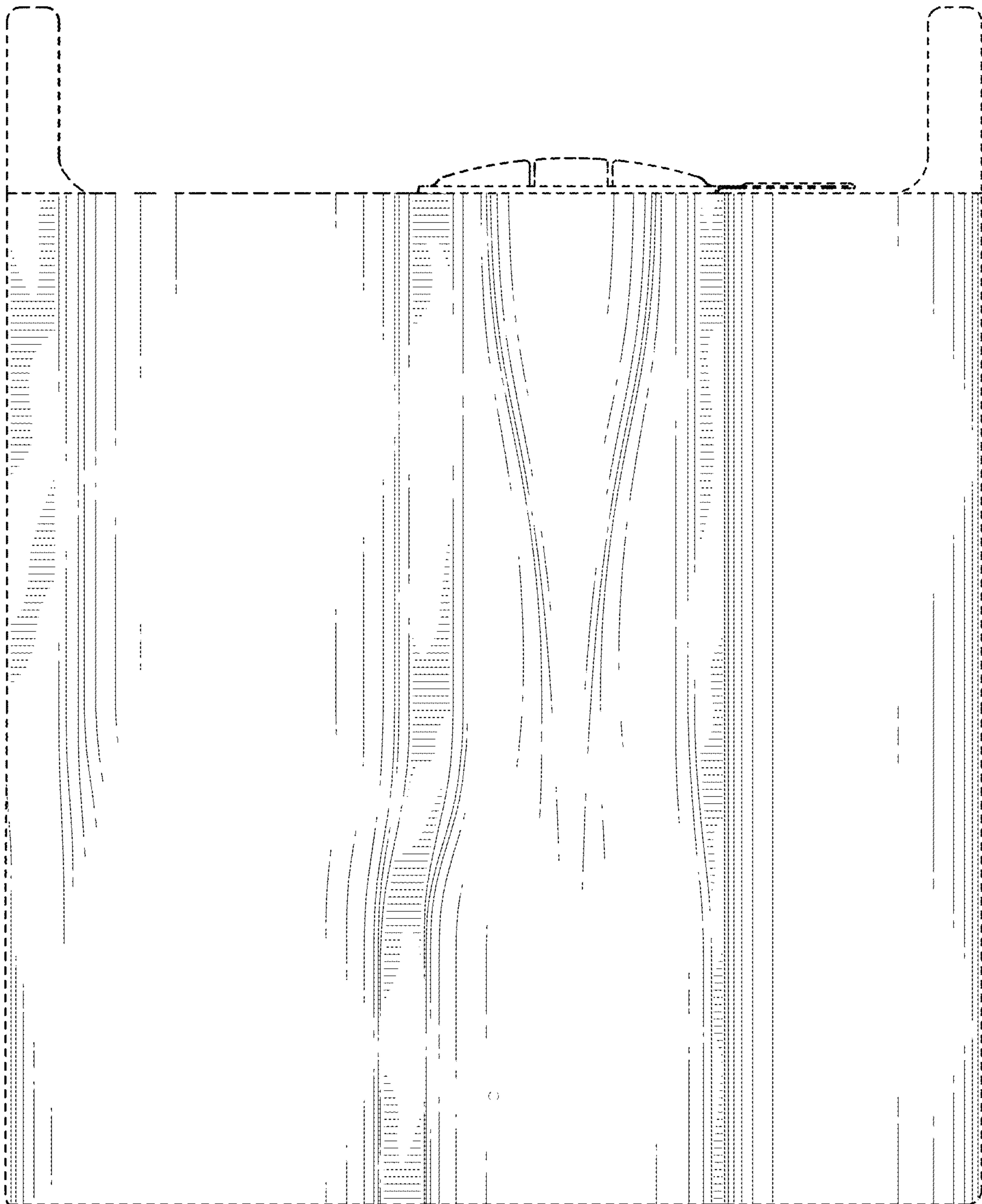


FIG. 5

FIG. 6



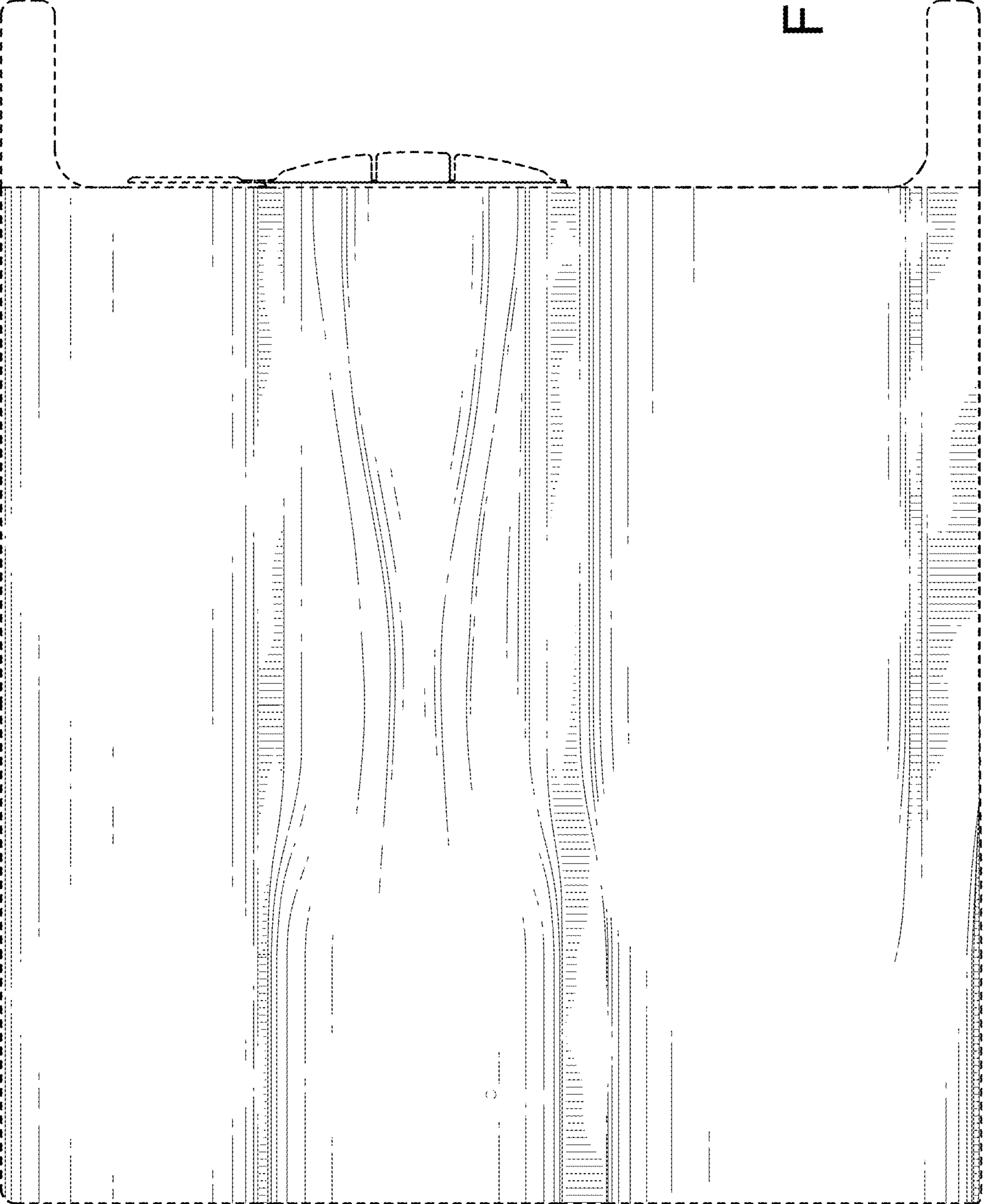


FIG. 7

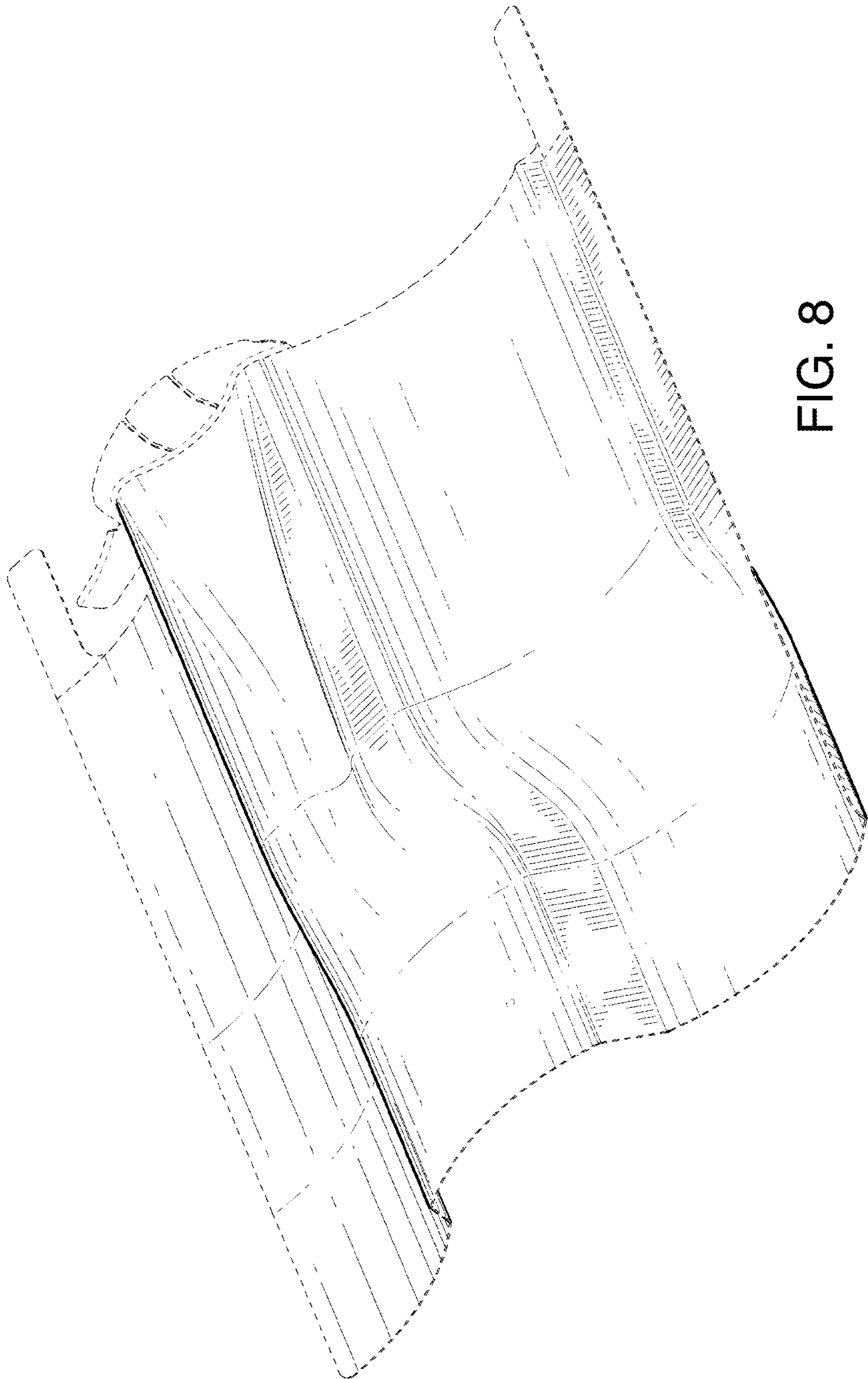


FIG. 8

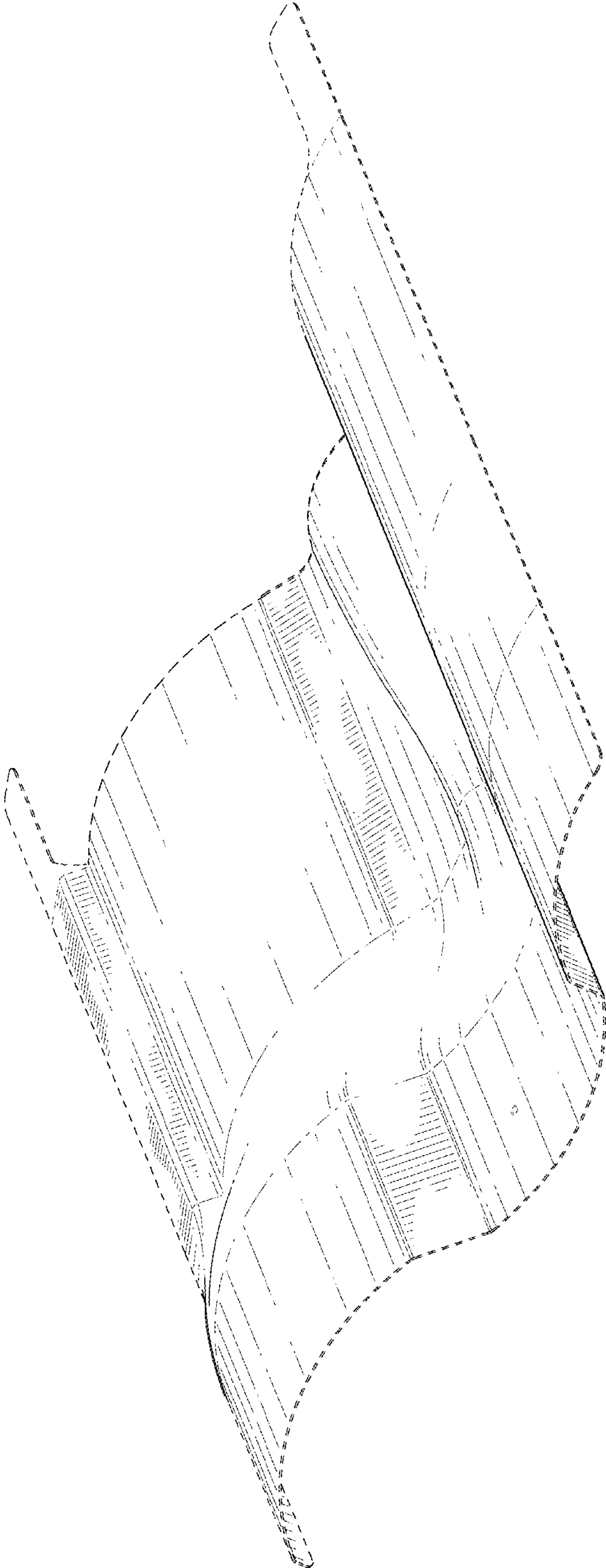


FIG. 9

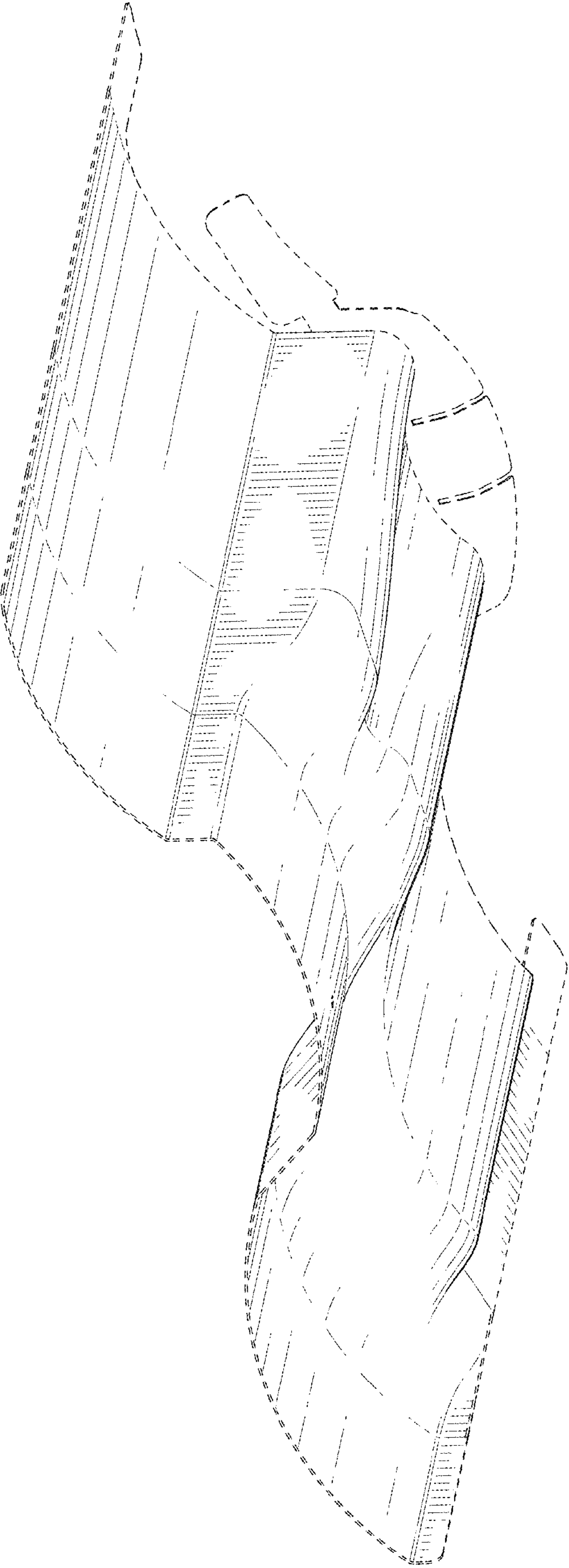


FIG. 10