



US00D963200S

(12) **United States Design Patent**  
**Thomas**

(10) **Patent No.:** **US D963,200 S**

(45) **Date of Patent:** **\*\* Sep. 6, 2022**

(54) **POST**

(71) Applicant: **NZ Tube Mills Limited**, Lower Hutt (NZ)

(72) Inventor: **Malcolm Thomas**, Upper Hutt (NZ)

(73) Assignee: **NZ Tube Mills Limited**, Lower Hutt (NZ)

(\*\*) Term: **15 Years**

(21) Appl. No.: **29/749,147**

(22) Filed: **Sep. 3, 2020**

(30) **Foreign Application Priority Data**

Mar. 9, 2020 (NZ) ..... 427230

(51) **LOC (13) Cl.** ..... **25-01**

(52) **U.S. Cl.**  
USPC ..... **D25/131**

(58) **Field of Classification Search**

USPC ..... D25/125, 126, 127, 128, 129, 130, 131,  
D25/132, 133, 134, 135, 136; D21/333,  
D21/373, 389, 404, 468, 470, 471, 475,  
D21/484-505

CPC ..... E04B 9/068; E04B 1/19; E04B 1/1903;  
E04B 1/24; E04B 1/2403; E04B 1/40;  
E04B 2001/2415; E04B 2001/2421

See application file for complete search history.

(56) **References Cited**

**U.S. PATENT DOCUMENTS**

D250,438 S \* 12/1978 Loiacono ..... D6/682.4  
D286,495 S \* 11/1986 Blomdahl ..... D8/381

D364,785 S \* 12/1995 Archambeau ..... D8/1  
D404,151 S \* 1/1999 Reichel ..... D25/132  
D416,335 S \* 11/1999 Roy ..... D25/131  
D436,505 S \* 1/2001 Mann ..... D8/1  
D483,518 S \* 12/2003 Chandler ..... D26/138  
D483,906 S \* 12/2003 Chandler ..... D26/138  
D689,628 S \* 9/2013 Wyss ..... D25/131  
D824,048 S \* 7/2018 O'Malley ..... D25/131  
D885,612 S \* 5/2020 Taylor ..... D25/126  
D928,346 S \* 8/2021 Cube ..... D25/126  
D938,616 S \* 12/2021 Schlatter ..... D25/126

\* cited by examiner

*Primary Examiner* — Samantha Q Lawrence

(74) *Attorney, Agent, or Firm* — Collard & Roe, P.C.

(57) **CLAIM**

The ornamental design for a post, as shown and described.

**DESCRIPTION**

FIG. 1 is a perspective view of a post;  
FIG. 2 is back side view of the post of FIG. 1;  
FIG. 3 is a front side view of the post;  
FIG. 4 is a left-side view of the post;  
FIG. 5 is a right-side view of the post  
FIG. 6 is a top view of the post; and,  
FIG. 7 is a bottom view of the post.

The broken lines and areas within the broken lines illustrate portions of the post that form no part of the claimed design. The post is shown with two symbolic breaks in its length. The appearance of any portion of the article between the break lines forms no part of the claimed design.

**1 Claim, 5 Drawing Sheets**

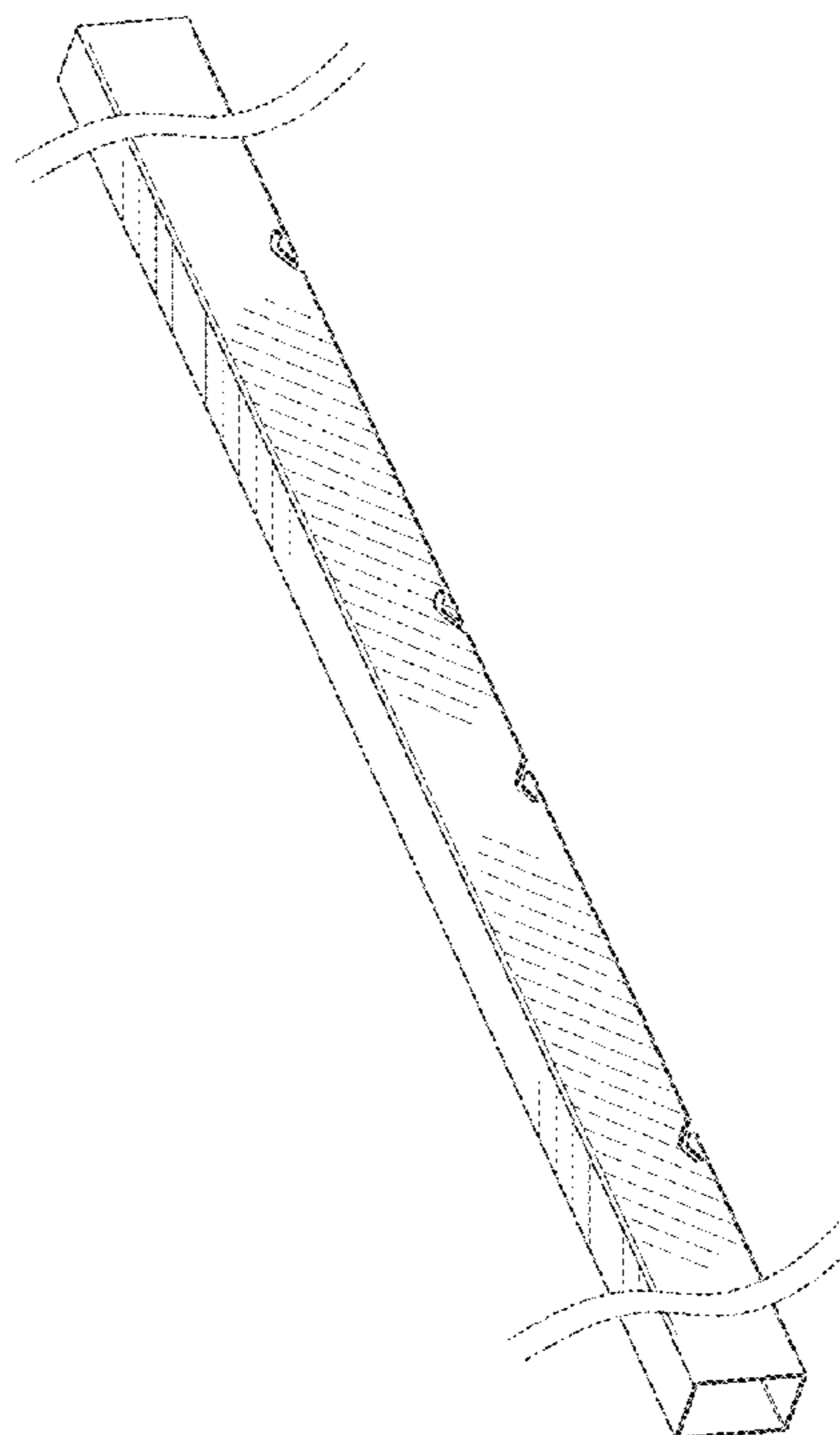


FIG. 1

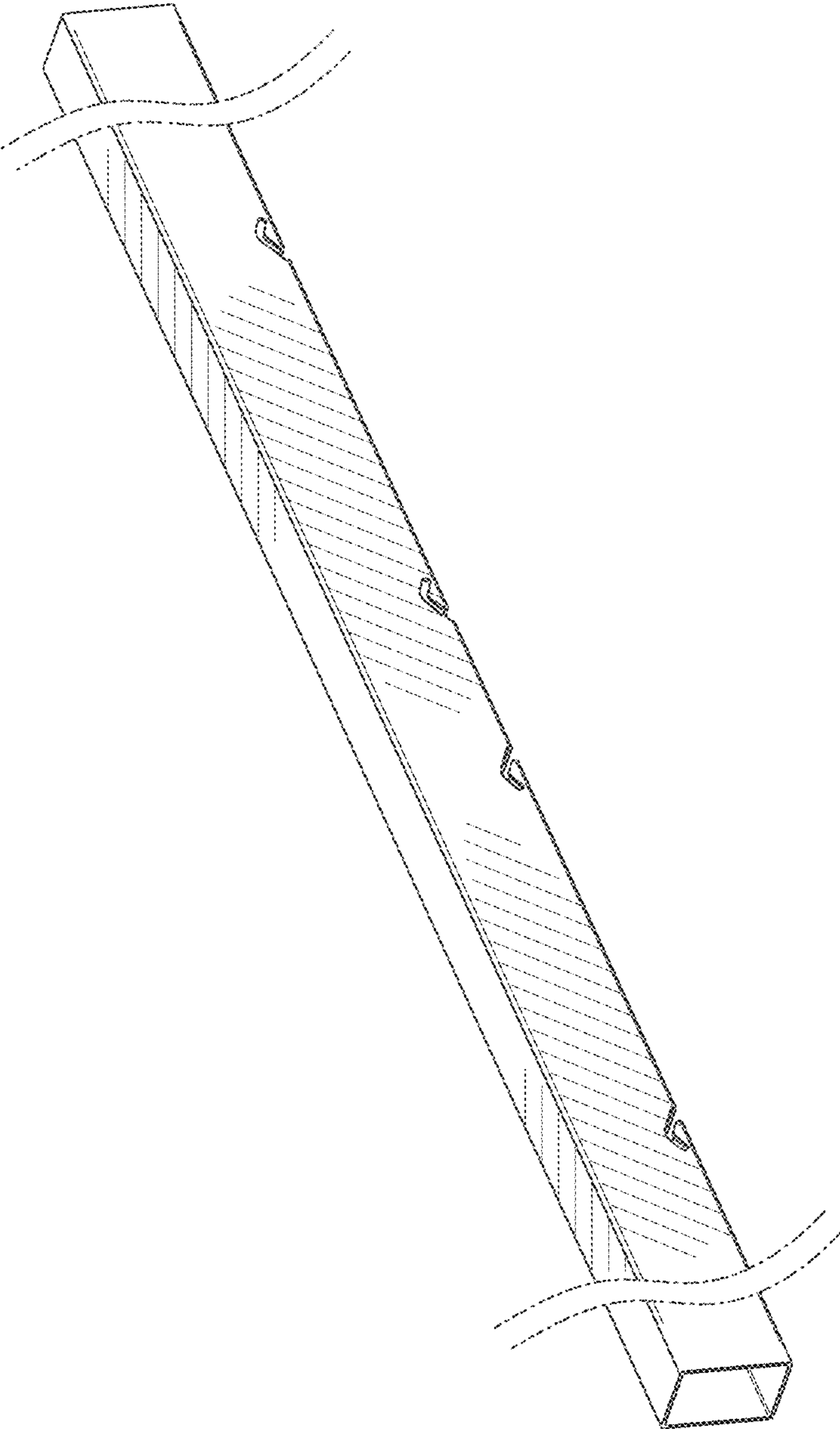


FIG. 2

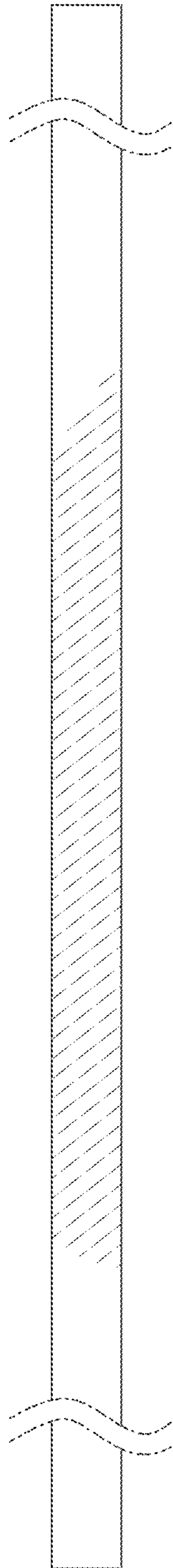


FIG. 3

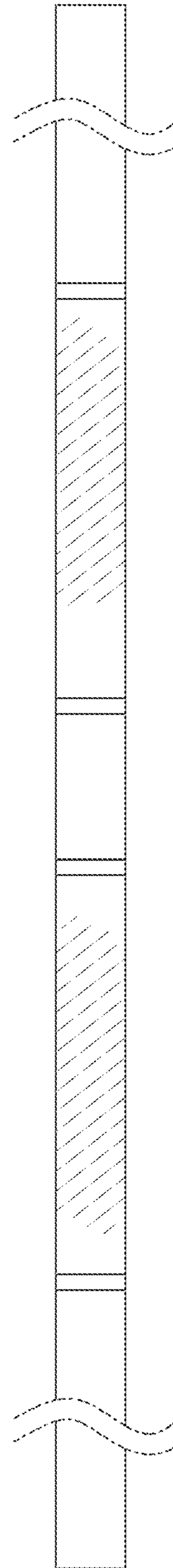


FIG. 4

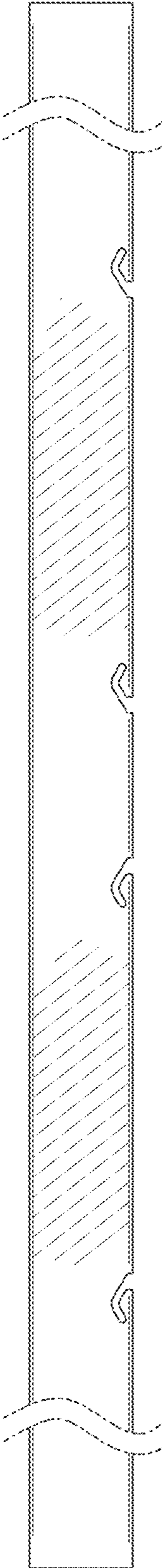


FIG. 5

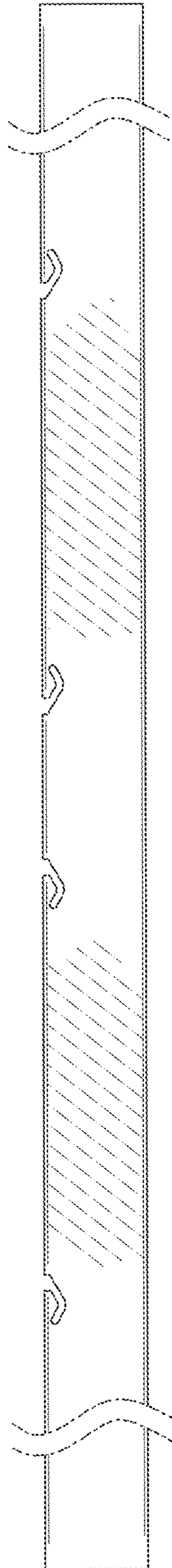


FIG. 6

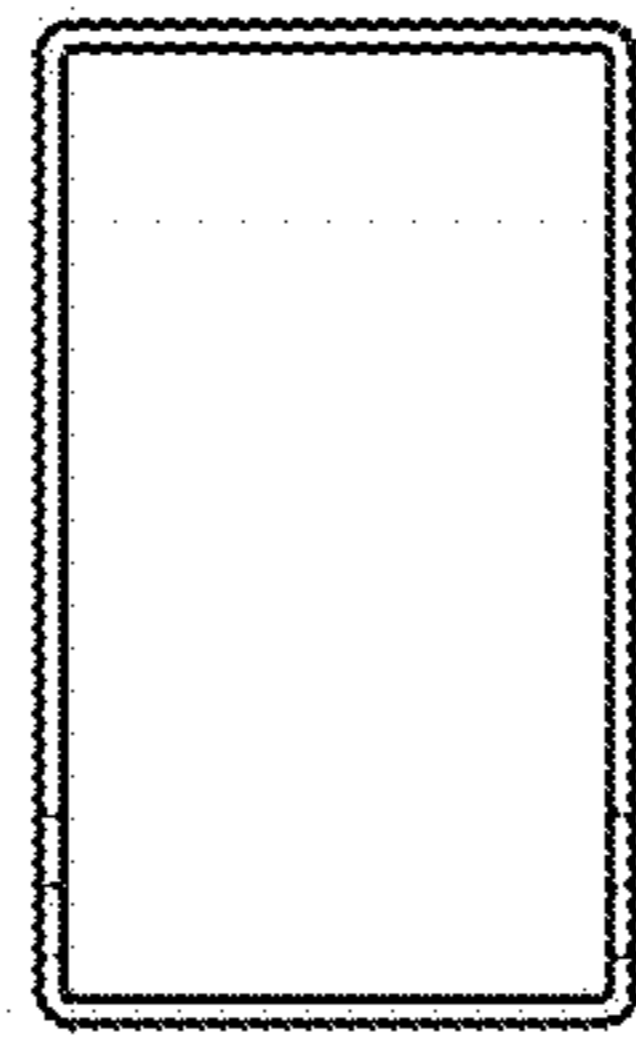


FIG. 7

