



US00D963197S

(12) **United States Design Patent** (10) **Patent No.:** **US D963,197 S**
Bidot-Betancourt (45) **Date of Patent:** **** Sep. 6, 2022**

(54) **MODULAR BUNKER**
(71) Applicant: **LARS BÜRO LLC**, Albany, NY (US)
(72) Inventor: **Javier Bidot-Betancourt**, New York, NY (US)
(73) Assignee: **LARS BÜRO LLC**, Albany, NY (US)
(**) Term: **15 Years**
(21) Appl. No.: **29/724,399**
(22) Filed: **Feb. 14, 2020**
(51) **LOC (13) Cl.** **25-03**
(52) **U.S. Cl.**
USPC **D25/23**
(58) **Field of Classification Search**
USPC D25/1, 22, 23, 30, 33, 34, 36, 15, 16
CPC E04H 15/48; E04H 15/001; E04H 15/322;
E04H 15/44; E04H 9/00; E04H 9/10;
E04H 9/021; E04H 9/14; E04H 9/0237;
E04H 9/04; E04H 9/06; E04H 9/02;
E04H 9/024; E04H 9/028; E04H 9/027;
E04H 9/0235; E04H 9/16; E04H 9/0215;
E04H 9/145; E04B 2001/2409; E04B
2001/2415; E04B

(Continued)

(56) **References Cited**

U.S. PATENT DOCUMENTS

D89,858 S * 5/1933 Goriup D25/15
D120,030 S * 4/1940 Ewertz D25/48.7
(Continued)

FOREIGN PATENT DOCUMENTS

EM 005511698-0001 * 7/2018
TR 653436-0001 * 4/2013

OTHER PUBLICATIONS

F9 Productions, Inc., "The Coloradoan bunker", announced Oct. 5, 2018, [site visited Nov. 19, 2021], Internet URL: <https://www.cnn.com/style/article/doomsday-luxury-bunkers/index.html> (Year: 2018).*

Primary Examiner — Brett Miller
Assistant Examiner — Jasmine L. Comedy
(74) *Attorney, Agent, or Firm* — Pearl Cohen Zedek
Latzer Baratz LLP

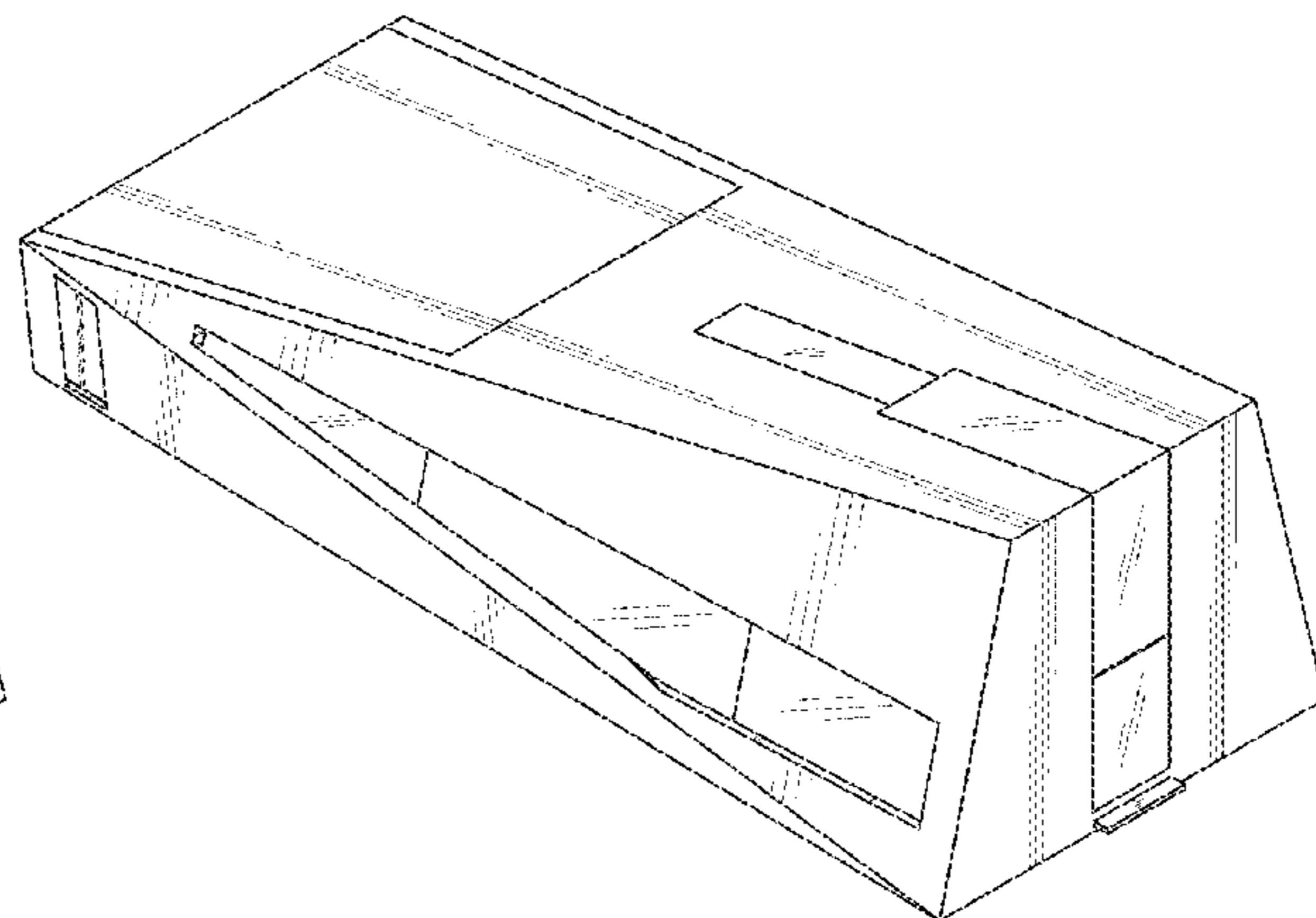
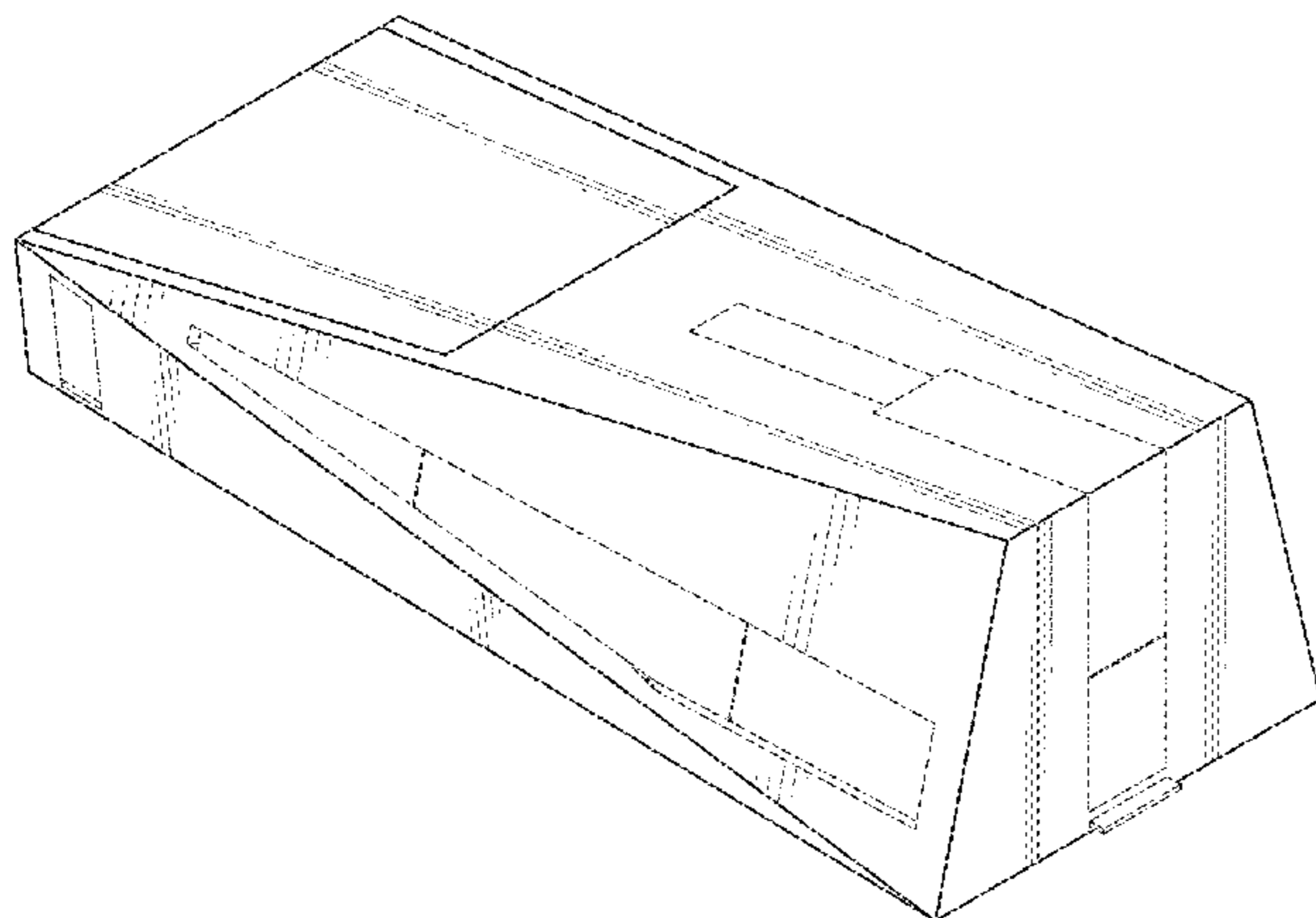
(57) **CLAIM**

The ornamental design for a modular bunker, as shown and described.

DESCRIPTION

FIG. 1 is a front, left side, top perspective view of a first embodiment of a modular bunker showing my new design; FIG. 2 is a back, right side, top perspective view thereof with the top and back portions in a closed position; FIG. 3 is a front elevation view thereof; FIG. 4 is a back elevation view thereof; FIG. 5 is a right side elevation view thereof; FIG. 6 is a left side elevation view thereof; FIG. 7 is a top plan thereof; FIG. 8 is a bottom plan thereof; FIG. 9 is a back, right side, top perspective thereof with the top and back portions in an open position; FIG. 10 is a front, left side, top perspective view of a second embodiment of a modular bunker showing my new design; FIG. 11 is a back, right side, top perspective view thereof with the top and back portions in a closed position; FIG. 12 is a front elevation view thereof; FIG. 13 is a back elevation view thereof; FIG. 14 is a right side elevation view thereof; FIG. 15 is a left side elevation view thereof; FIG. 16 is a top plan thereof; FIG. 17 is a bottom plan thereof; and, FIG. 18 is a back, right side, top perspective thereof with the top and back portions in an open position. The broken lines show portions of the modular bunker that form no part of the claimed design.

1 Claim, 18 Drawing Sheets



(58) **Field of Classification Search**

CPC 2001/2448; E04B 2001/2454; E04B
2001/2469; E04B 2001/249

See application file for complete search history.

(56) **References Cited**

U.S. PATENT DOCUMENTS

2,377,788 A * 6/1945 King E04D 3/14
52/302.3
3,145,719 A * 8/1964 Johnson E04H 15/20
52/2.21
3,600,866 A * 8/1971 Griffith B60J 11/00
52/64
D237,381 S * 10/1975 Jenson D25/16
4,014,133 A * 3/1977 Brown A01G 9/14
52/66
4,167,838 A * 9/1979 Metheny E04H 1/12
52/79.5
D266,534 S * 10/1982 Johanson D25/15
D268,702 S * 4/1983 Todd D25/22
D344,805 S * 3/1994 Jones D25/2
D409,310 S * 5/1999 Goldwitz D25/1
D562,755 S * 2/2008 Cares D12/317
D568,495 S * 5/2008 Kennedy D25/1
D655,019 S * 2/2012 Colless D25/15
D728,822 S * 5/2015 Ryan D25/15
D869,685 S * 12/2019 Migeon D25/22
2013/0312800 A1 * 11/2013 Chang E04H 9/14
135/143
2021/0148132 A1 * 5/2021 Robertson E04H 9/145

* cited by examiner

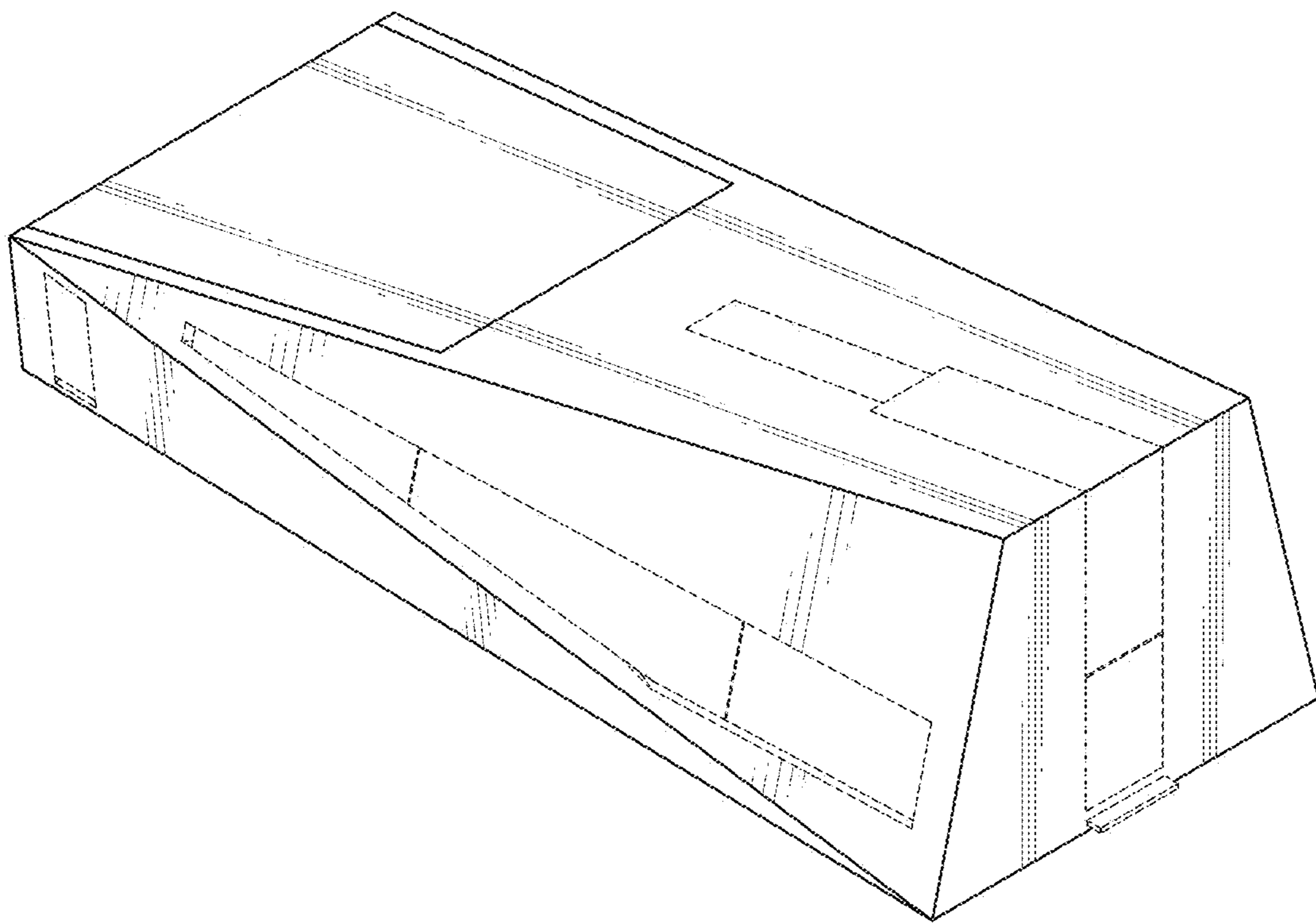


FIG. 1

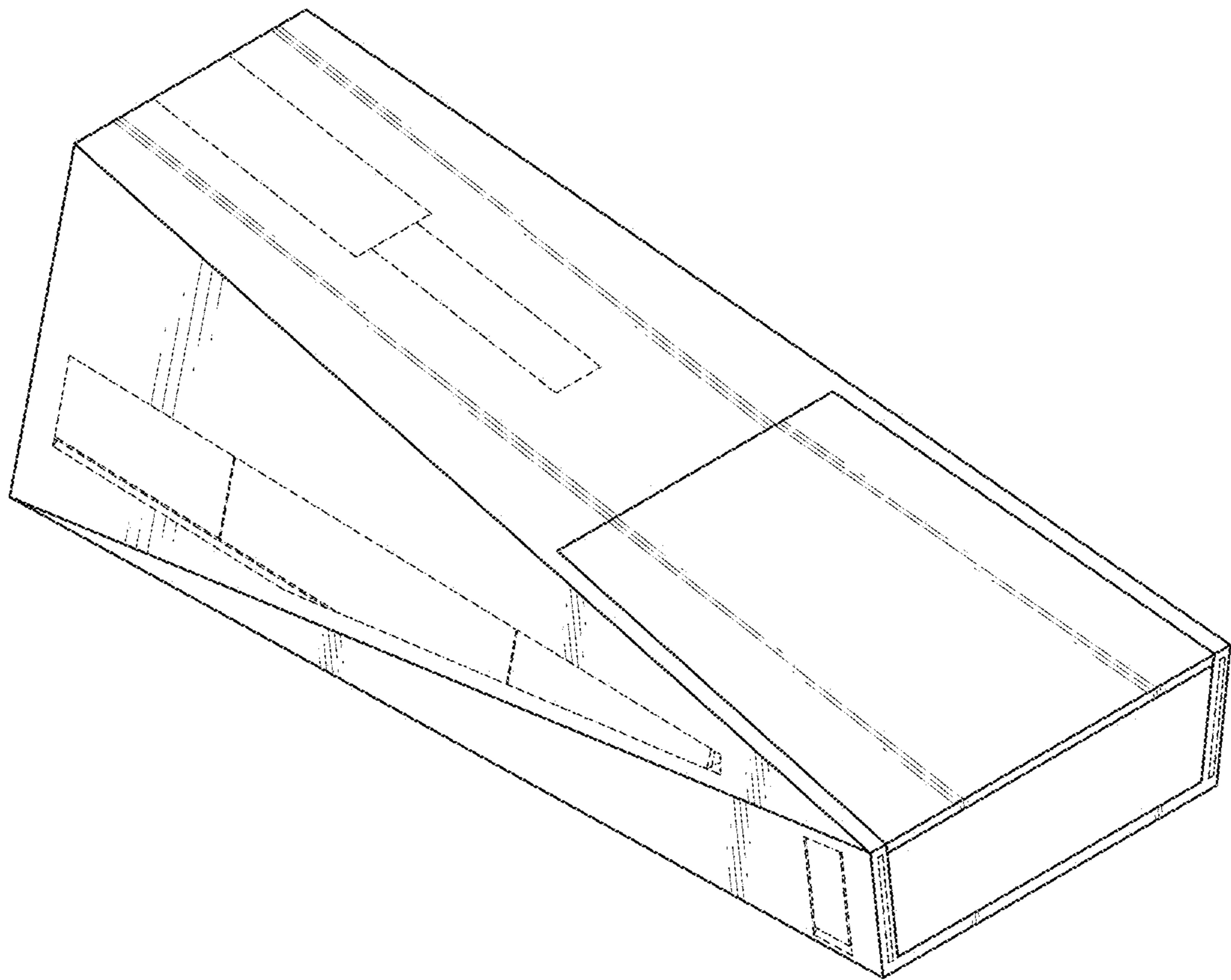


FIG. 2

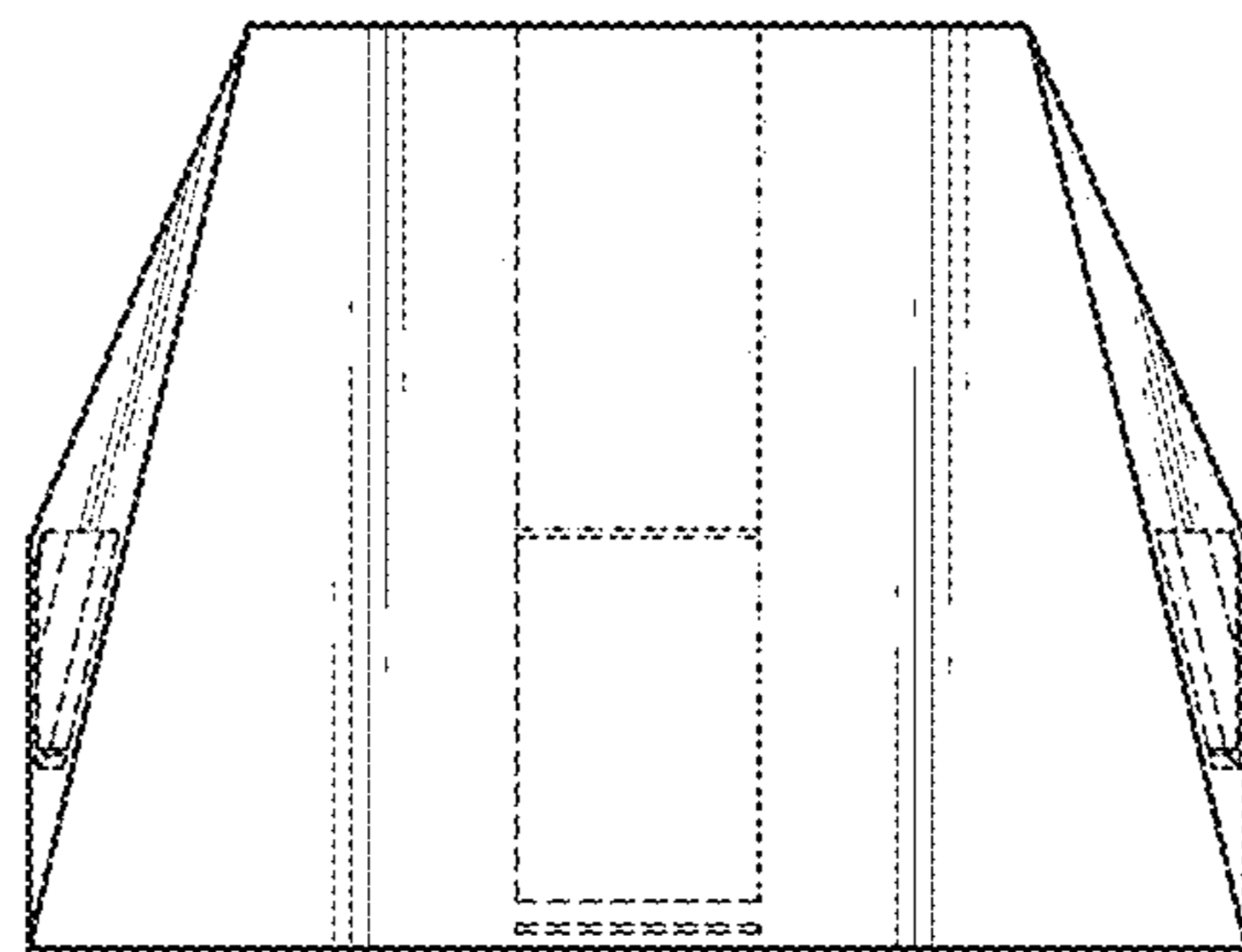


FIG. 3

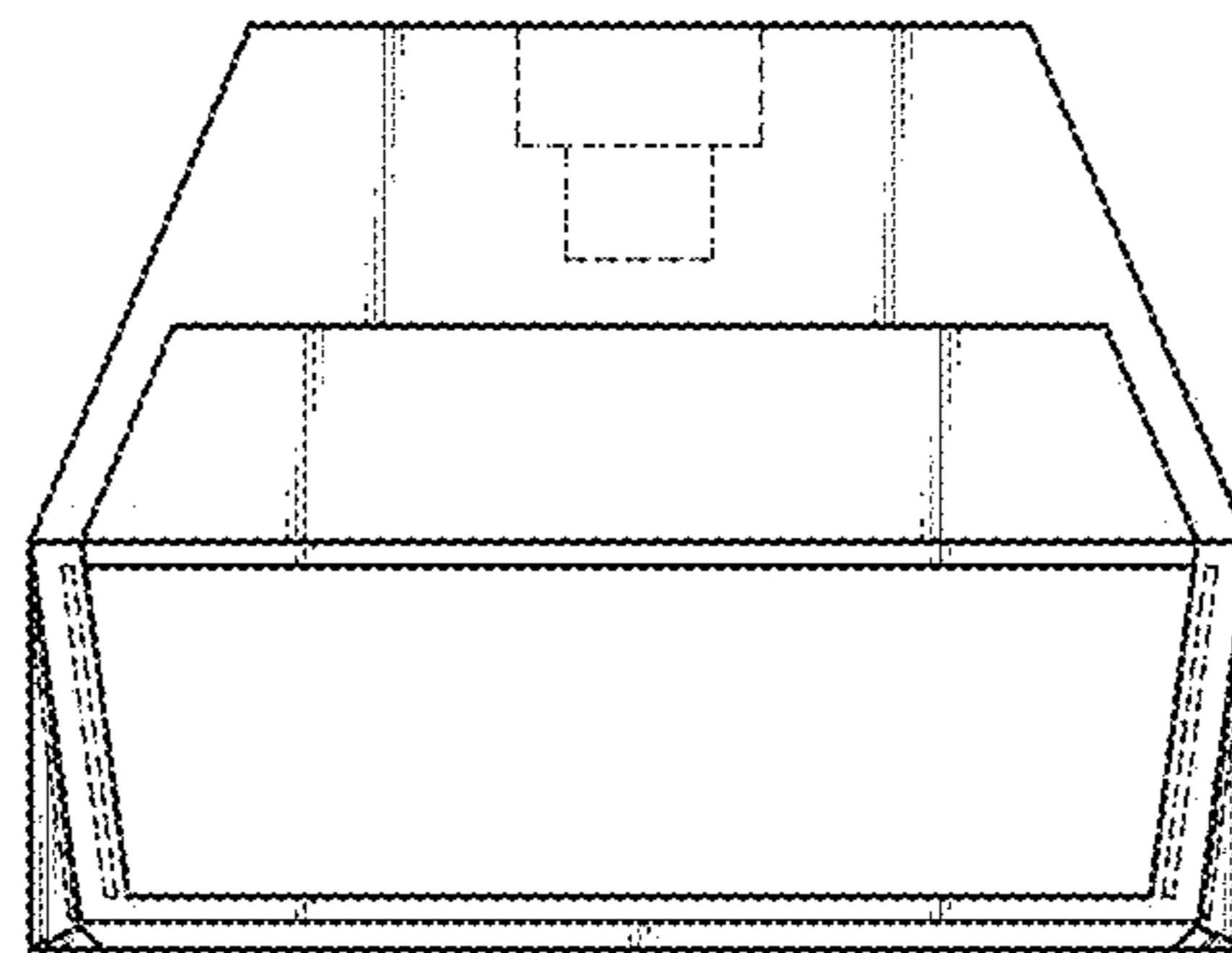


FIG. 4

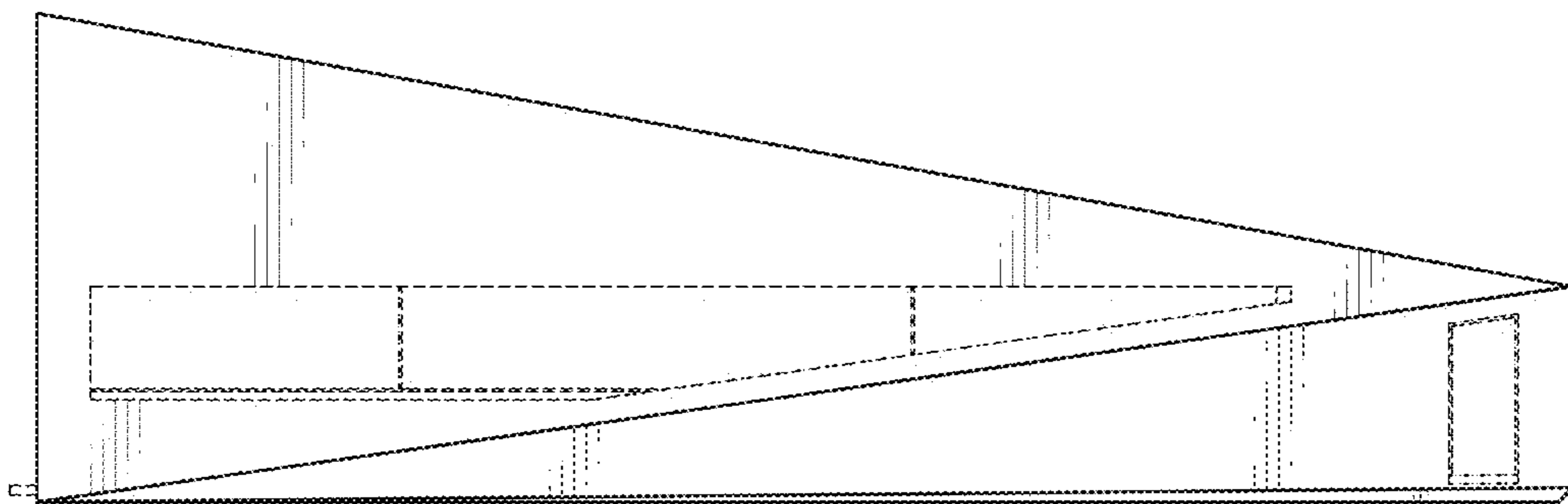


FIG. 5

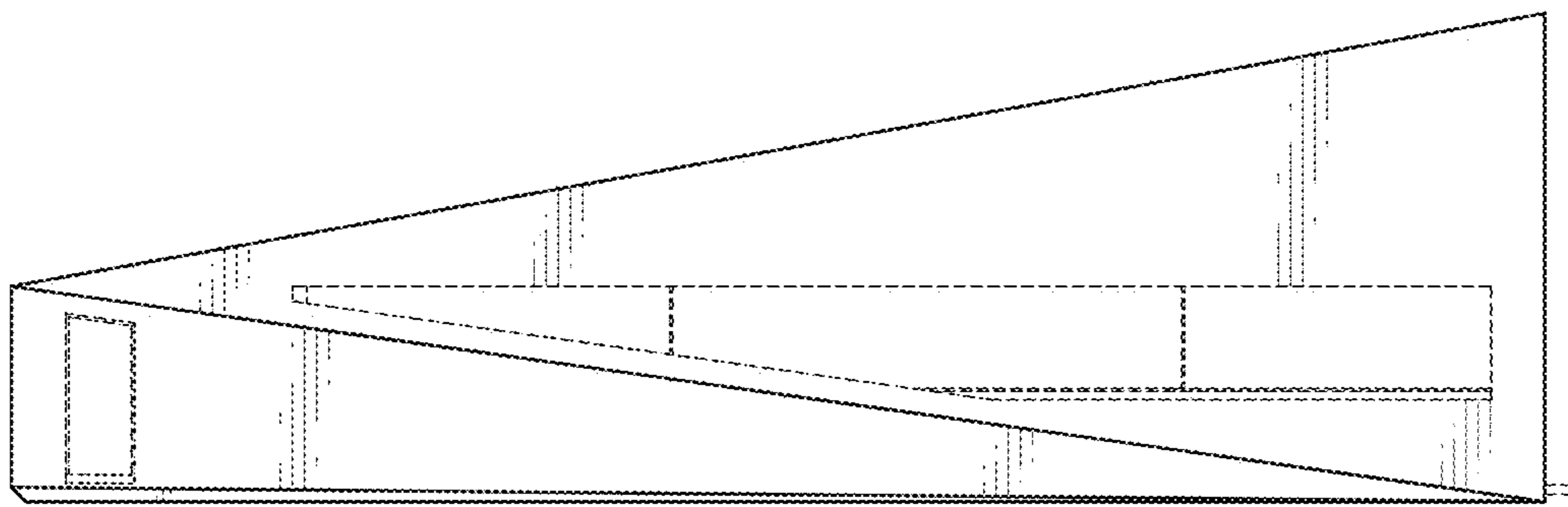


FIG. 6

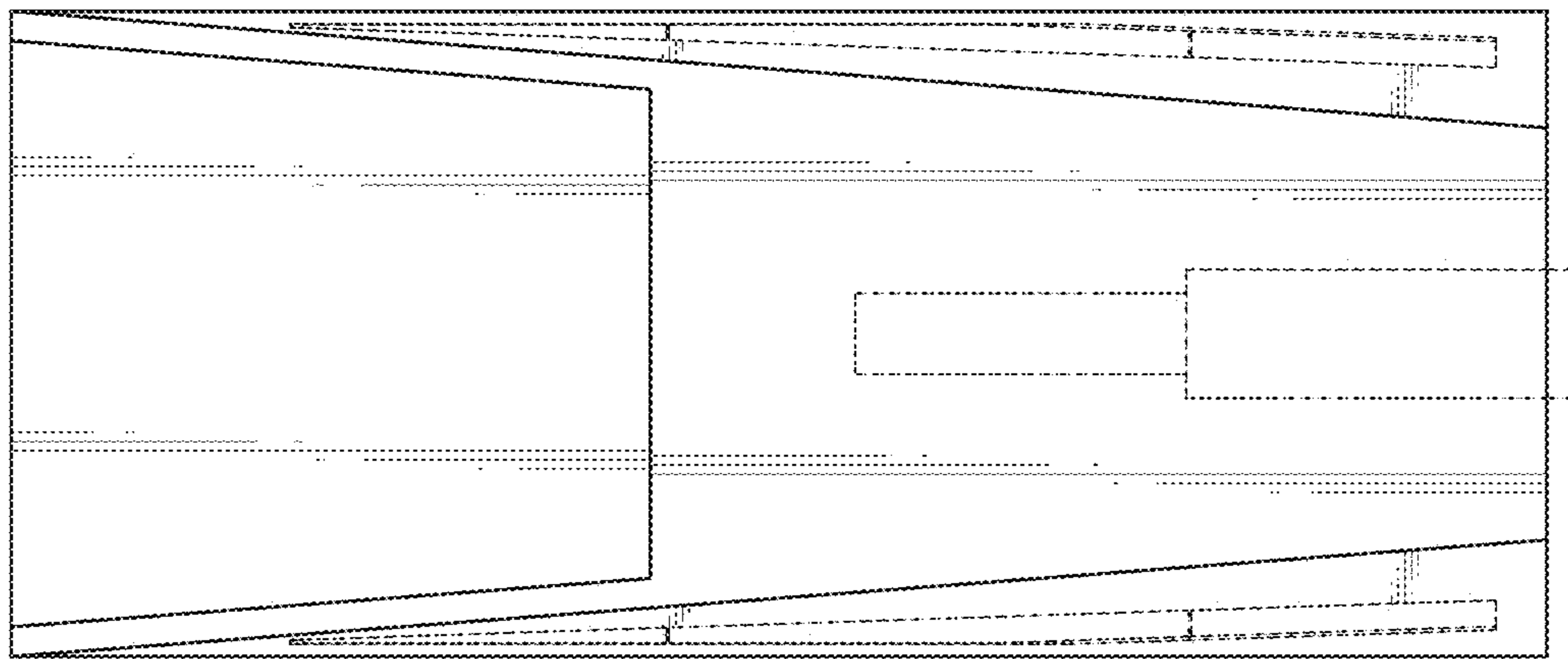


FIG. 7

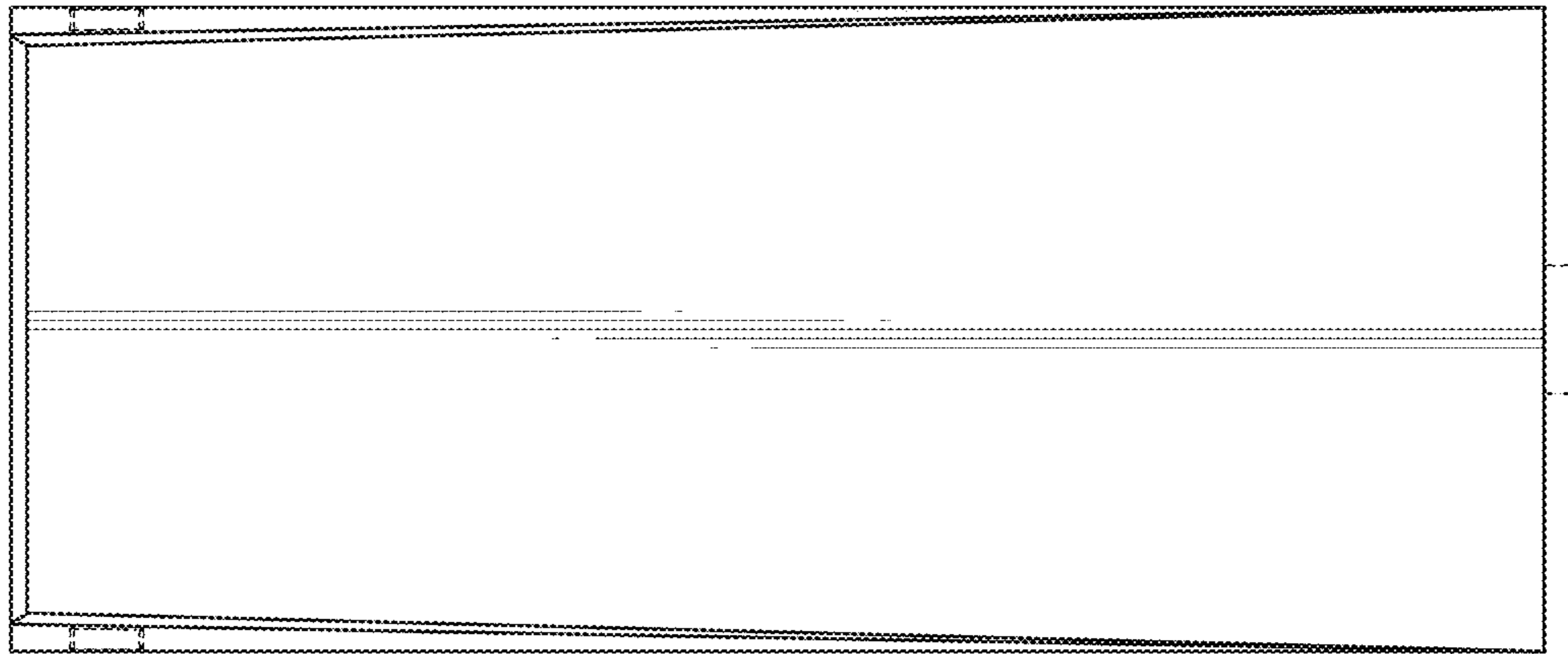


FIG. 8

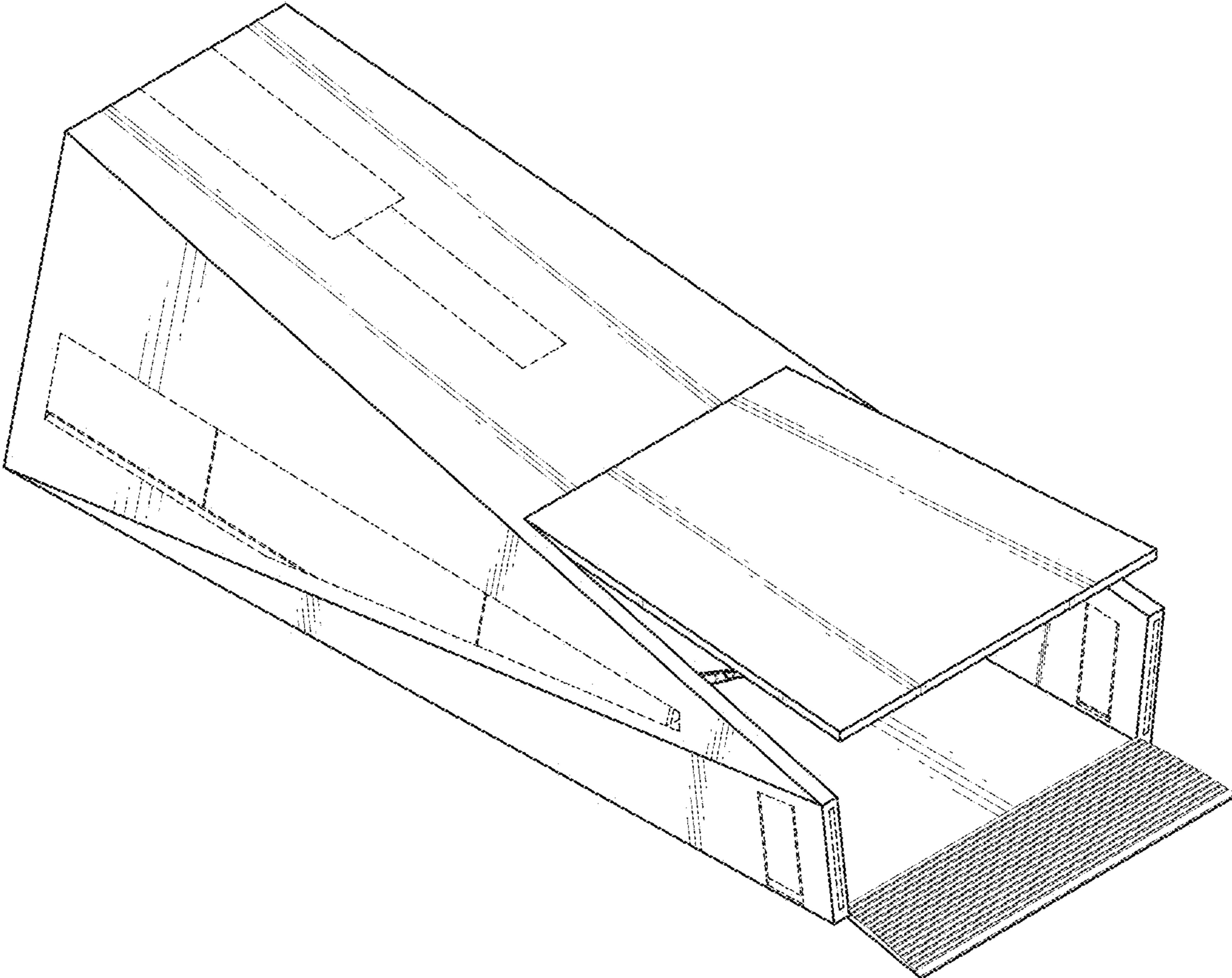


FIG. 9

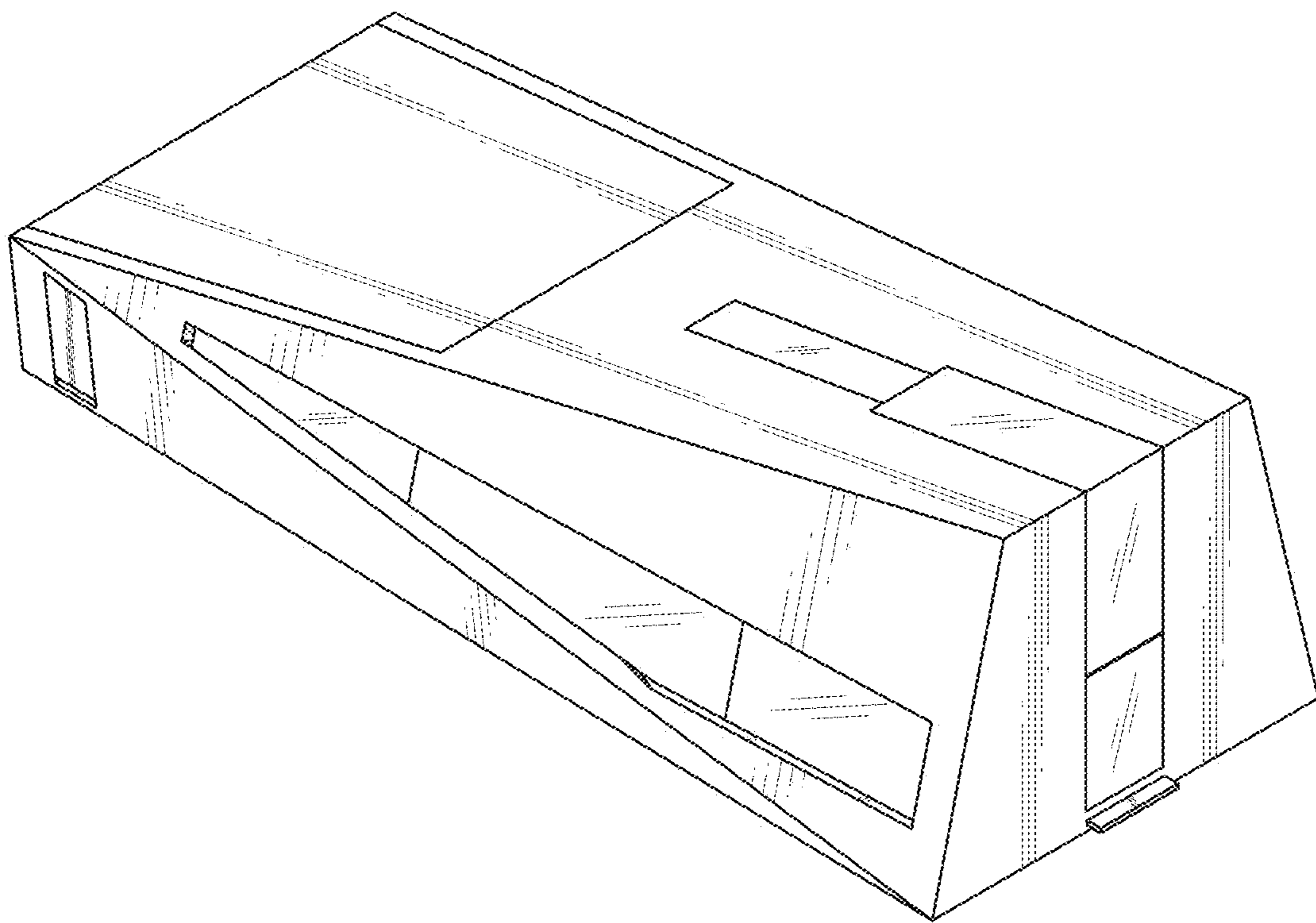


FIG. 10

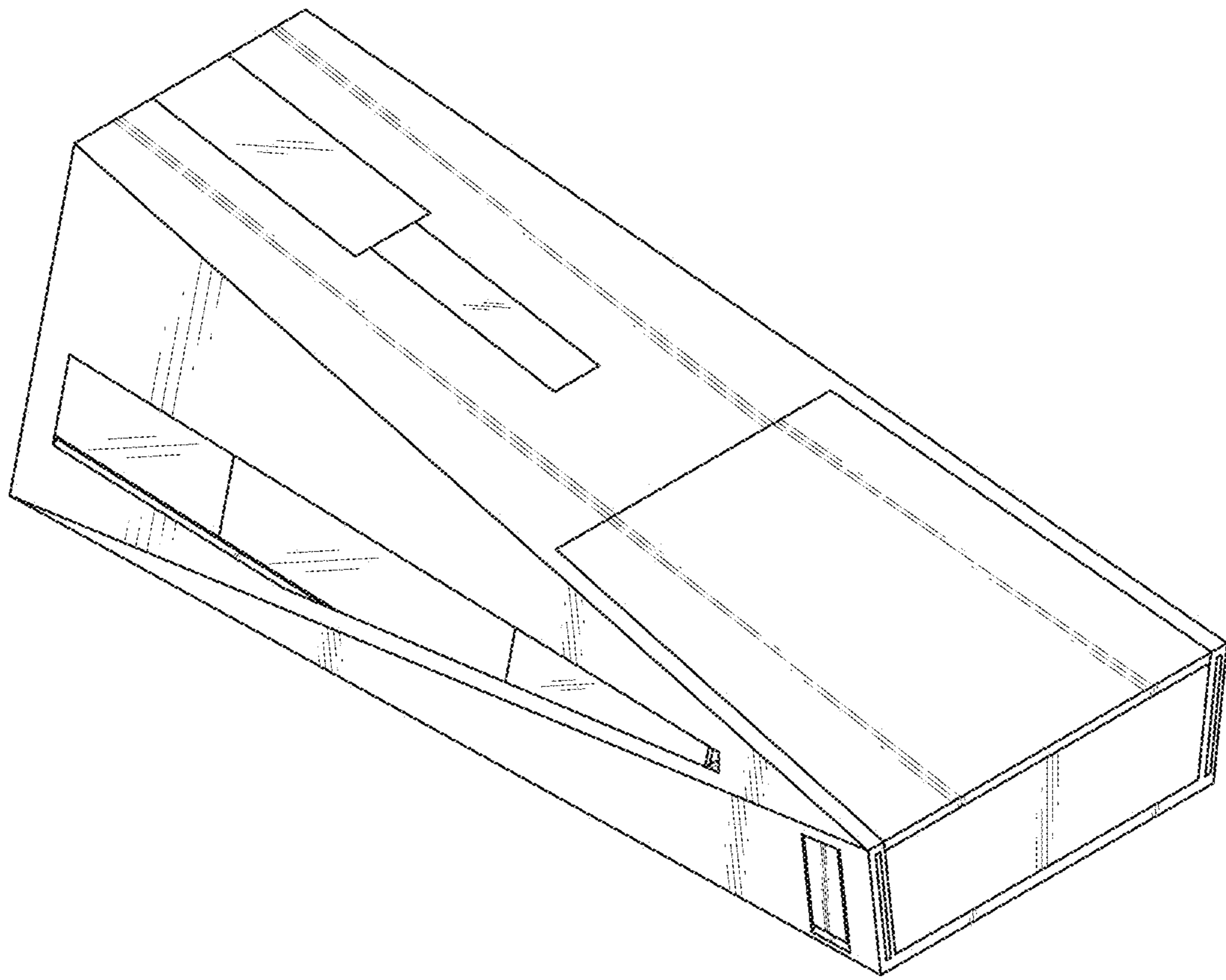


FIG. 11

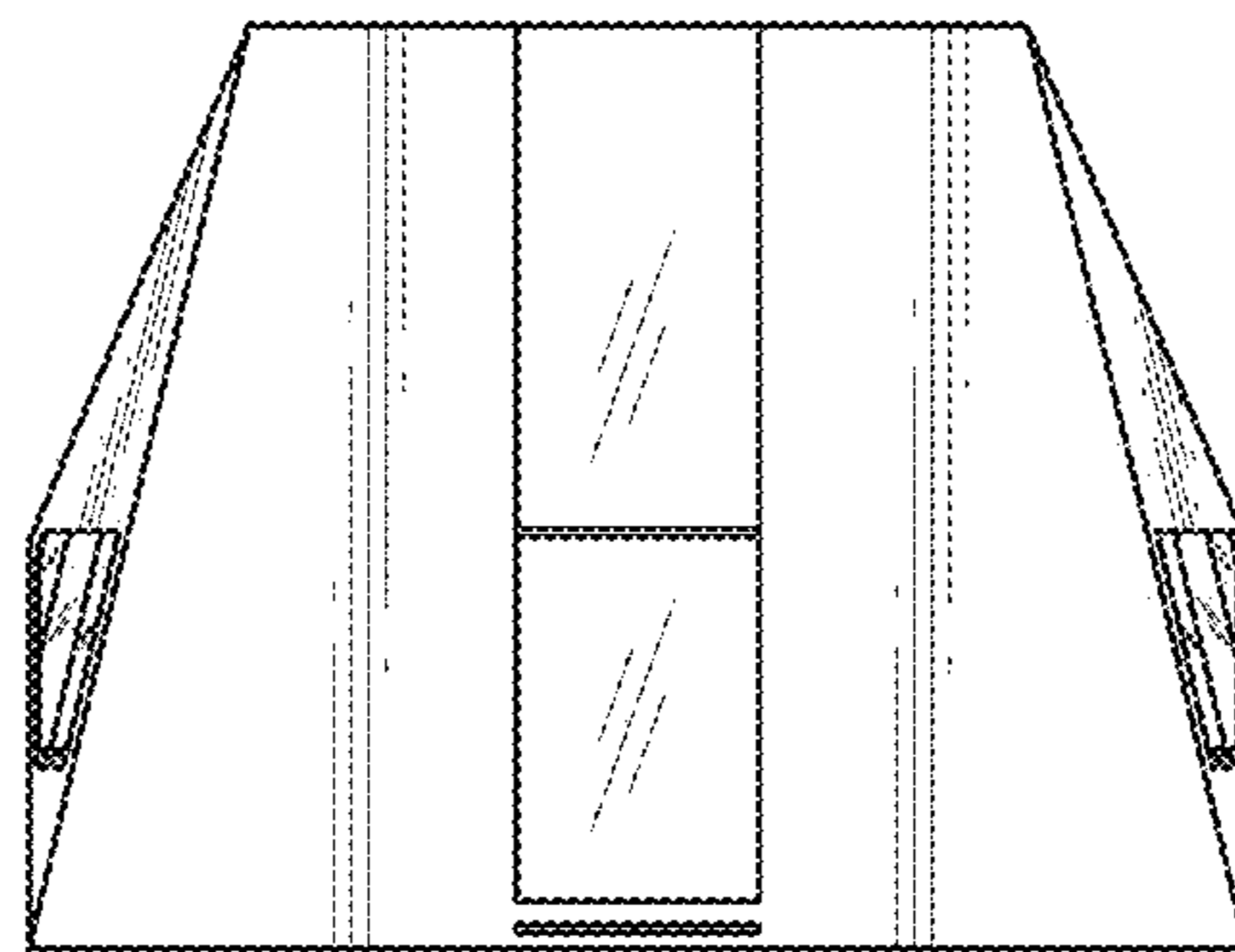


FIG. 12

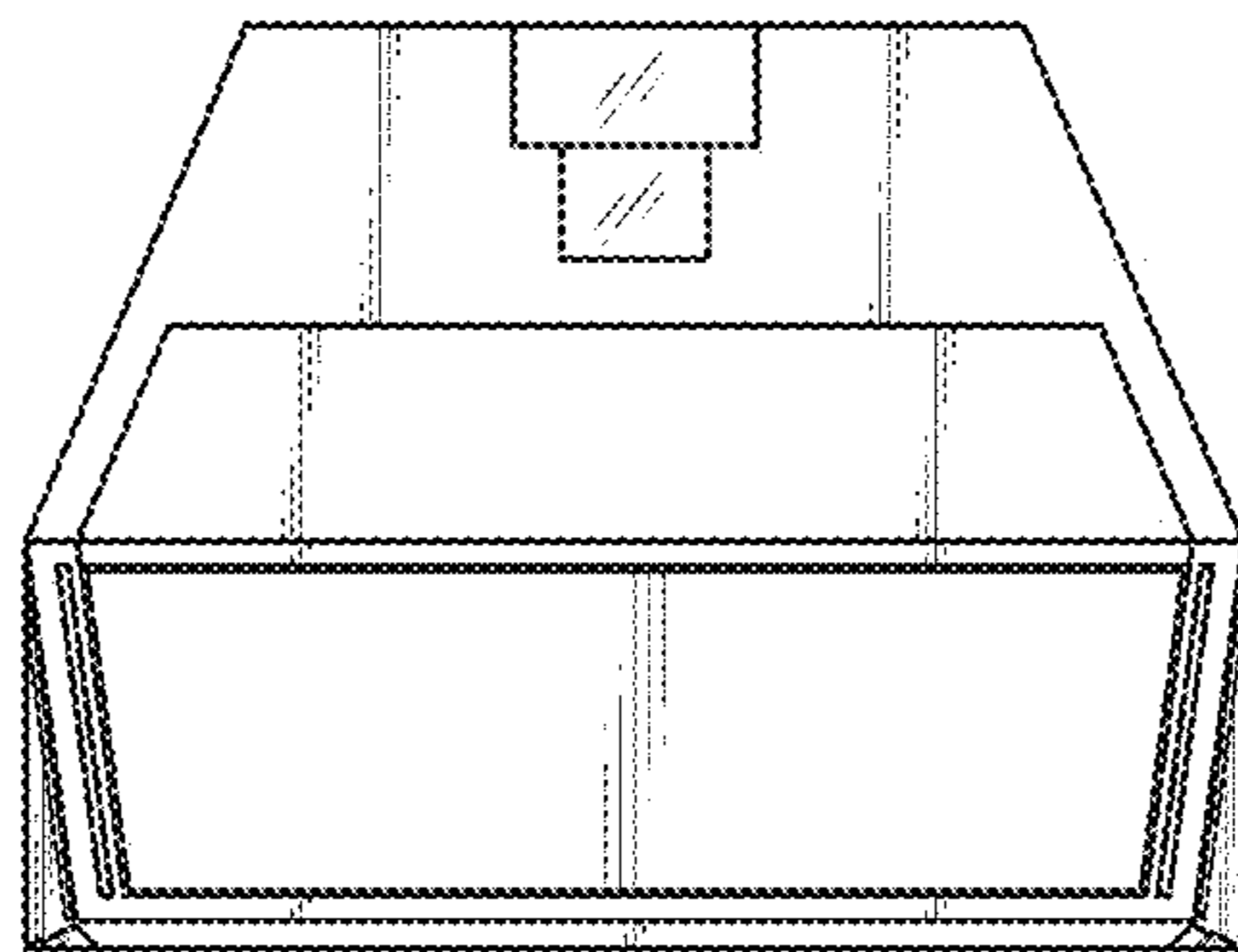


FIG. 13

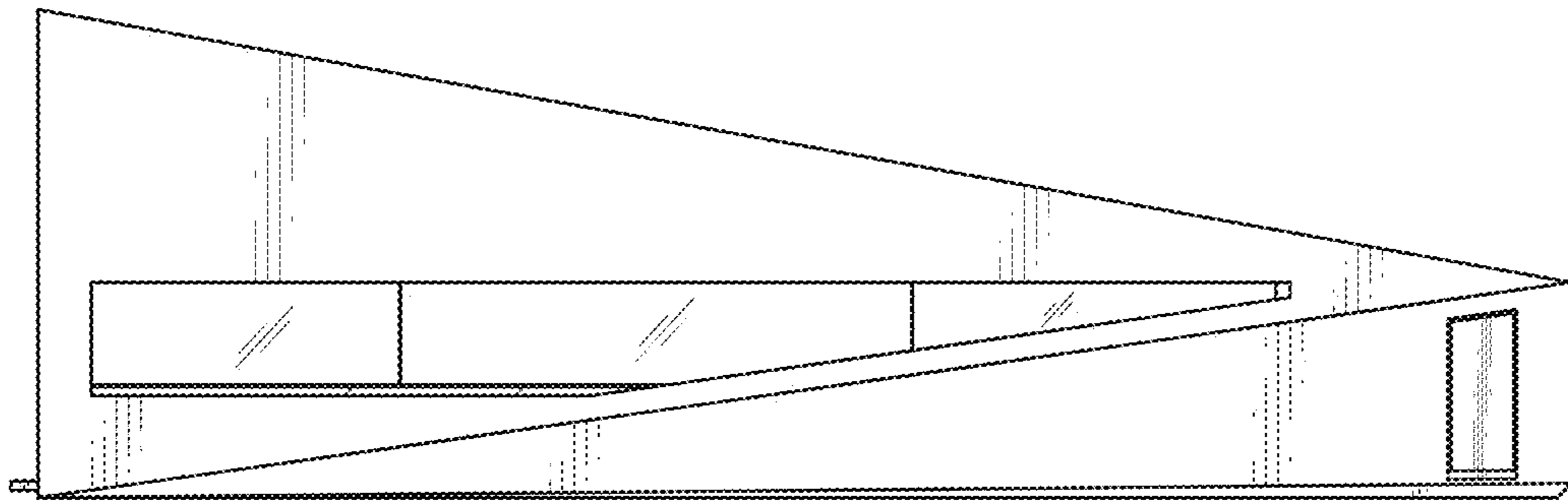


FIG. 14

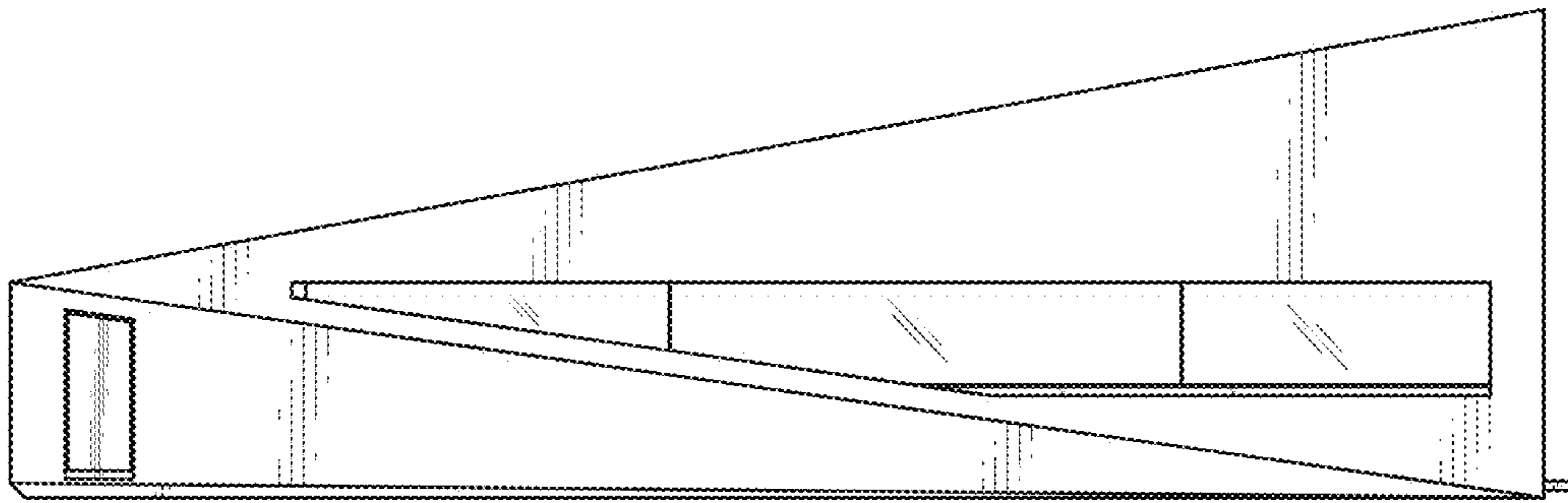


FIG. 15

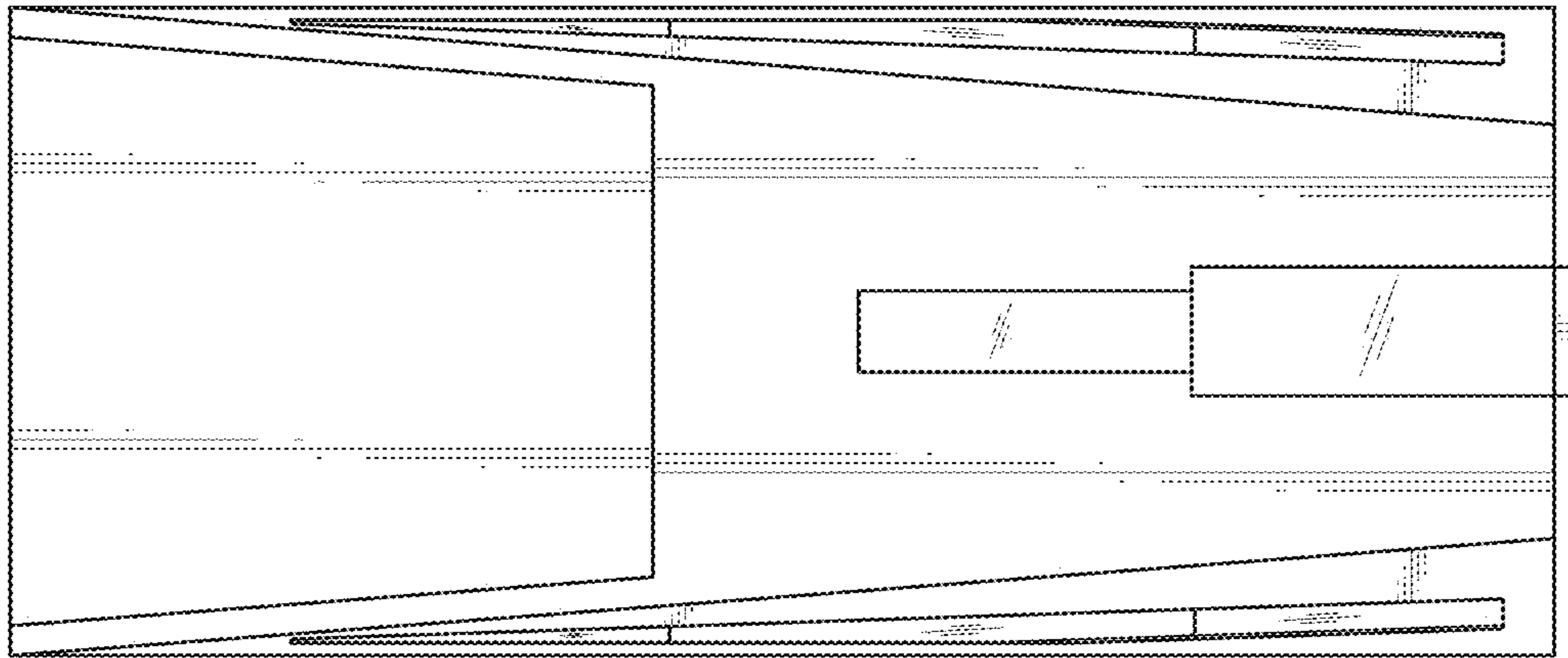


FIG. 16

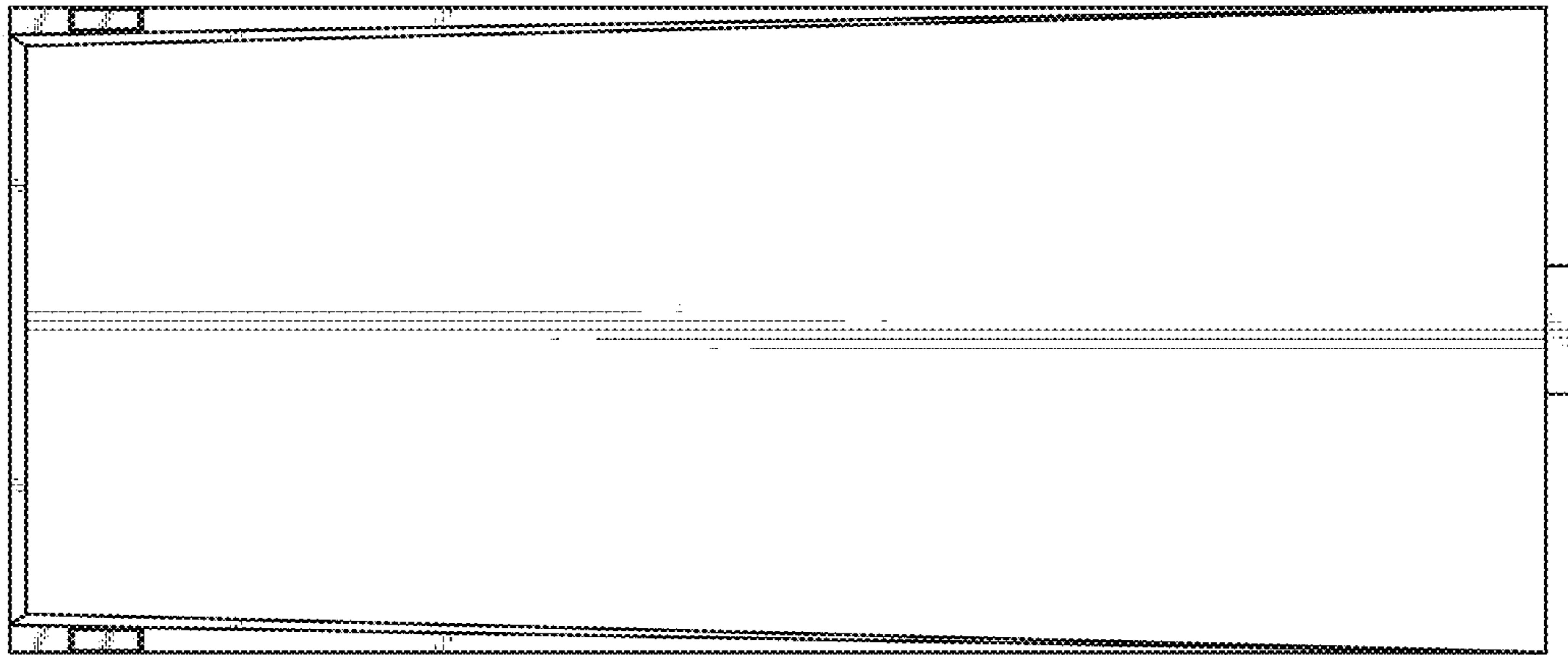


FIG. 17

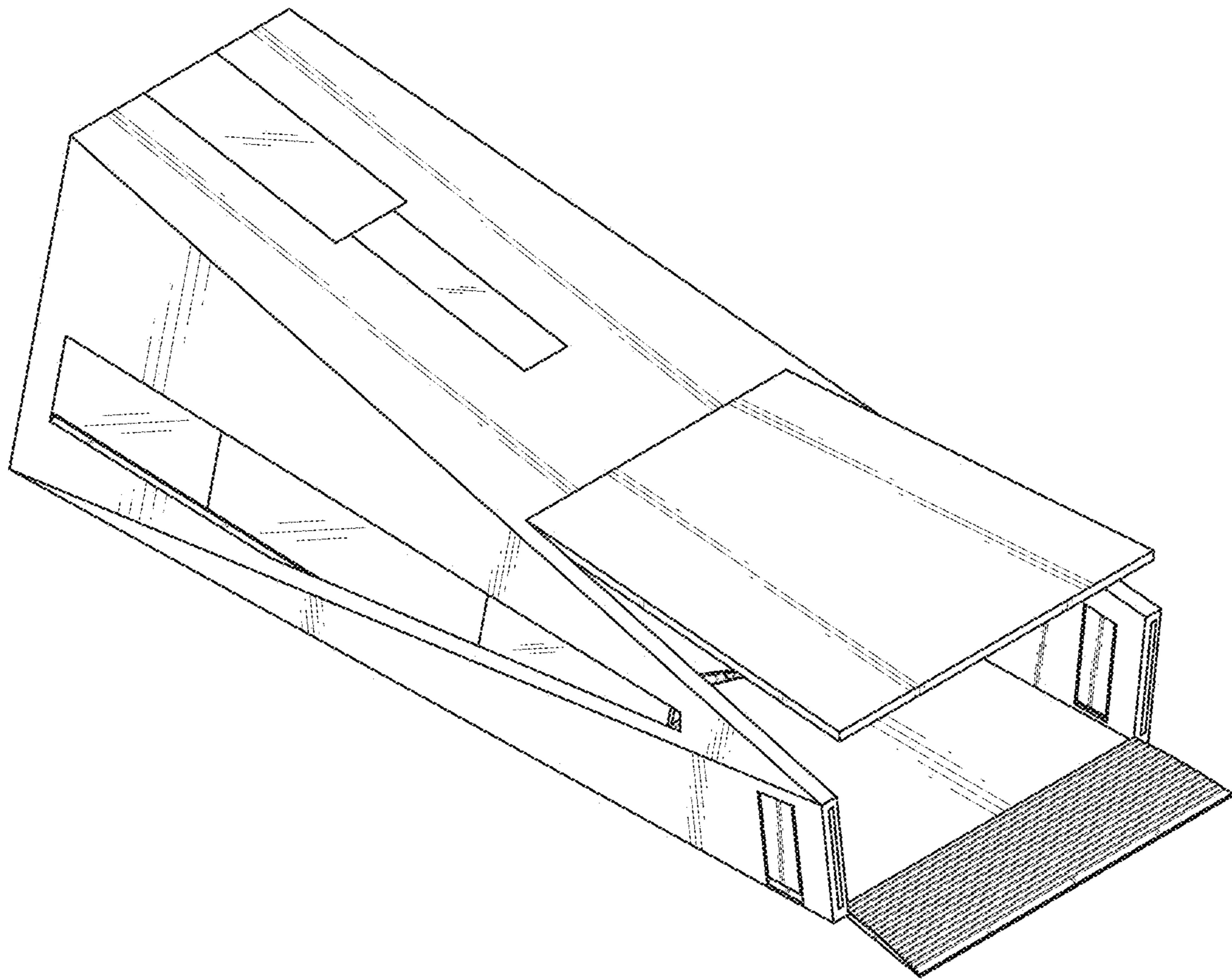


FIG. 18