



US00D963196S

(12) **United States Design Patent** (10) **Patent No.:** **US D963,196 S**
Wirth et al. (45) **Date of Patent:** **** Sep. 6, 2022**

(54) **CONTROL PANEL HOUSING FRAME**

(71) Applicant: **S.J. Electro Systems, Inc.**, Detroit Lakes, MN (US)

(72) Inventors: **Dustin J. Wirth**, Detroit Lakes, MN (US); **Alain J. Atchia**, Tarpon Springs, FL (US); **Alan J. Bergum**, Detroit Lakes, MN (US)

(73) Assignee: **S.J. Electro Systems, LLC**, Detroit Lakes, MN (US)

(**) Term: **15 Years**

(21) Appl. No.: **29/732,538**

(22) Filed: **Apr. 24, 2020**

(51) **LOC (13) Cl.** **25-03**

(52) **U.S. Cl.**
USPC **D25/22; D25/56**

(58) **Field of Classification Search**
USPC D25/1, 3-35, 56-61; 135/87, 117; 52/74, 90.1

CPC E04F 10/005; E04F 10/00; E04H 15/58; E04H 15/34; E04H 15/02; E04C 3/02
See application file for complete search history.

(56) **References Cited**

U.S. PATENT DOCUMENTS

880,574	A	*	3/1908	Rogers	B62B 9/14 135/117
D178,471	S	*	8/1956	Volk	D25/56
D188,948	S	*	10/1960	Axe	D6/337
D220,397	S	*	4/1971	Melcher	D25/56
4,187,651	A	*	2/1980	Tolsma	E04H 5/10 52/309.4
4,333,574	A	*	6/1982	Christy, Sr.	E04H 1/1205 211/49.1
5,341,611	A	*	8/1994	Lewis	E04C 3/42 52/643
D364,920	S	*	12/1995	Amborski	D6/674

D378,137	S	*	2/1997	Gregoire	D25/1
D435,669	S	*	12/2000	Kieffer	D25/56
D436,669	S	*	1/2001	Kieffer	D25/56
D469,189	S	*	1/2003	Woods	D25/56
D475,468	S	*	6/2003	Stein	D25/56

(Continued)

FOREIGN PATENT DOCUMENTS

CN	201230434335	*	4/2013
EM	003862572-0001	*	11/2019

(Continued)

OTHER PUBLICATIONS

T-Cantilever shade, available in srpshade.com, announced Year 2012 [online], [site visited Apr. 11, 2022], Internet URL: <https://srpshade.com/p/t-cantilever> (Year: 2012).*

Primary Examiner — Brett Miller

Assistant Examiner — Jasmine L. Comedy

(74) *Attorney, Agent, or Firm* — Dicke, Billig & Czaja, PLLC

(57) **CLAIM**

The ornamental design for a control panel housing frame, as shown and described herein.

DESCRIPTION

FIG. 1 is a front view of a control panel housing frame showing our new design.

FIG. 2 is a rear view thereof.

FIG. 3 is a top view thereof.

FIG. 4 is a bottom view thereof.

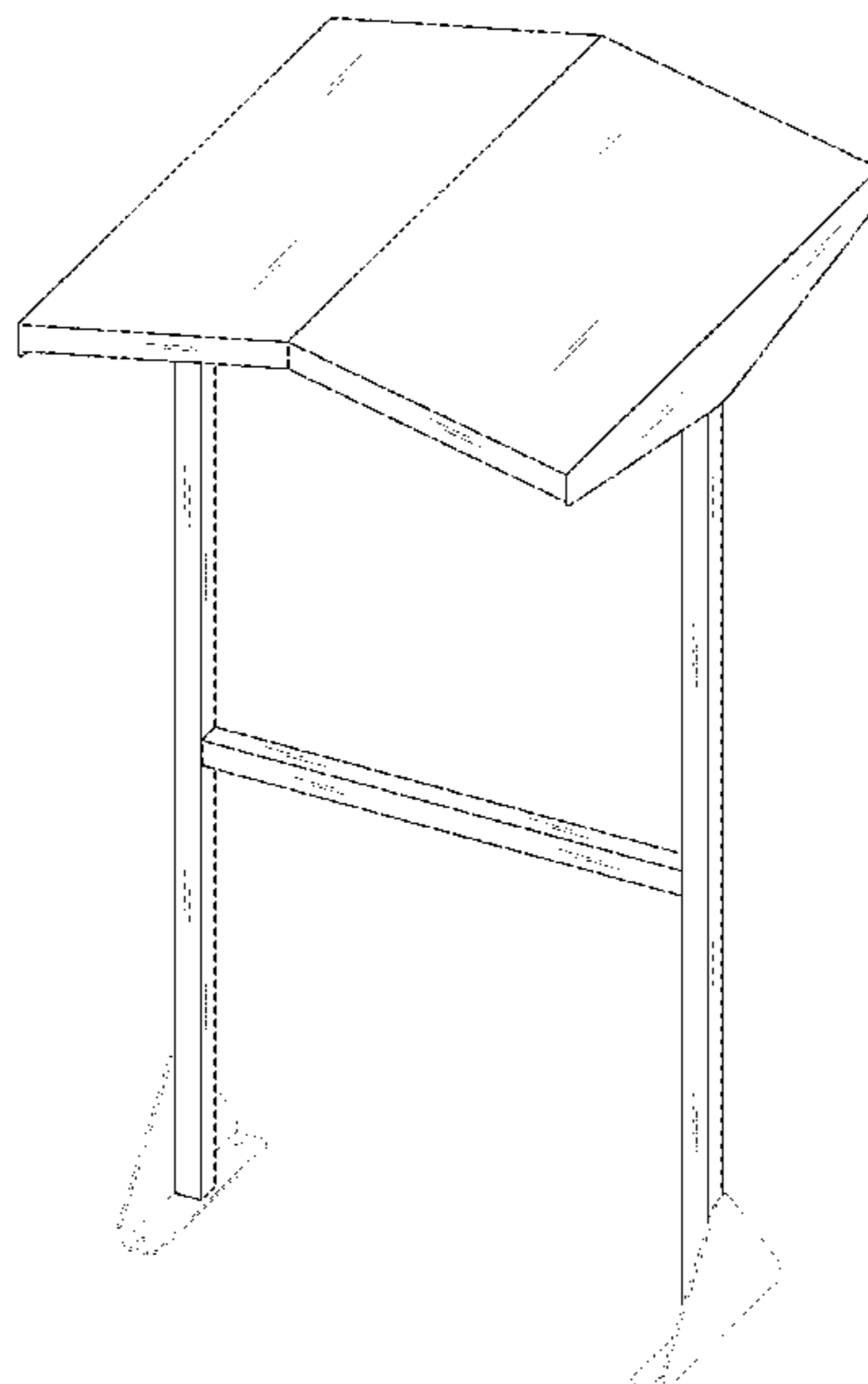
FIG. 5 is a left side view thereof.

FIG. 6 is a right side view thereof; and,

FIG. 7 is a perspective view thereof.

Those portions of the control panel housing frame shown in broken lines are included for illustrative purposes only and form no part of the claimed design.

1 Claim, 7 Drawing Sheets



(56)

References Cited

U.S. PATENT DOCUMENTS

6,866,054 B1 * 3/2005 Collins E04H 15/02
135/96
D562,989 S * 2/2008 Chipman D25/56
D595,865 S * 7/2009 Magnusson D25/56
D620,531 S * 7/2010 Allen D20/19
D722,180 S * 2/2015 Gowrie D25/22
D775,369 S * 12/2016 Lin D25/57
9,518,403 B1 * 12/2016 Tucker E04H 15/02
D785,201 S * 4/2017 Hassman D25/56
2003/0056818 A1 * 3/2003 Connelly E04H 15/58
135/117
2005/0011142 A1 * 1/2005 Higgins E04D 12/00
52/90.1
2011/0108076 A1 * 5/2011 Connot E04H 15/06
135/88.05
2011/0185669 A1 * 8/2011 Dueker E04C 3/02
52/690
2014/0331569 A1 * 11/2014 Spearn E04F 10/00
52/74

FOREIGN PATENT DOCUMENTS

KR 3020160033371 * 9/2017
KR 3020170037355 * 11/2017

* cited by examiner

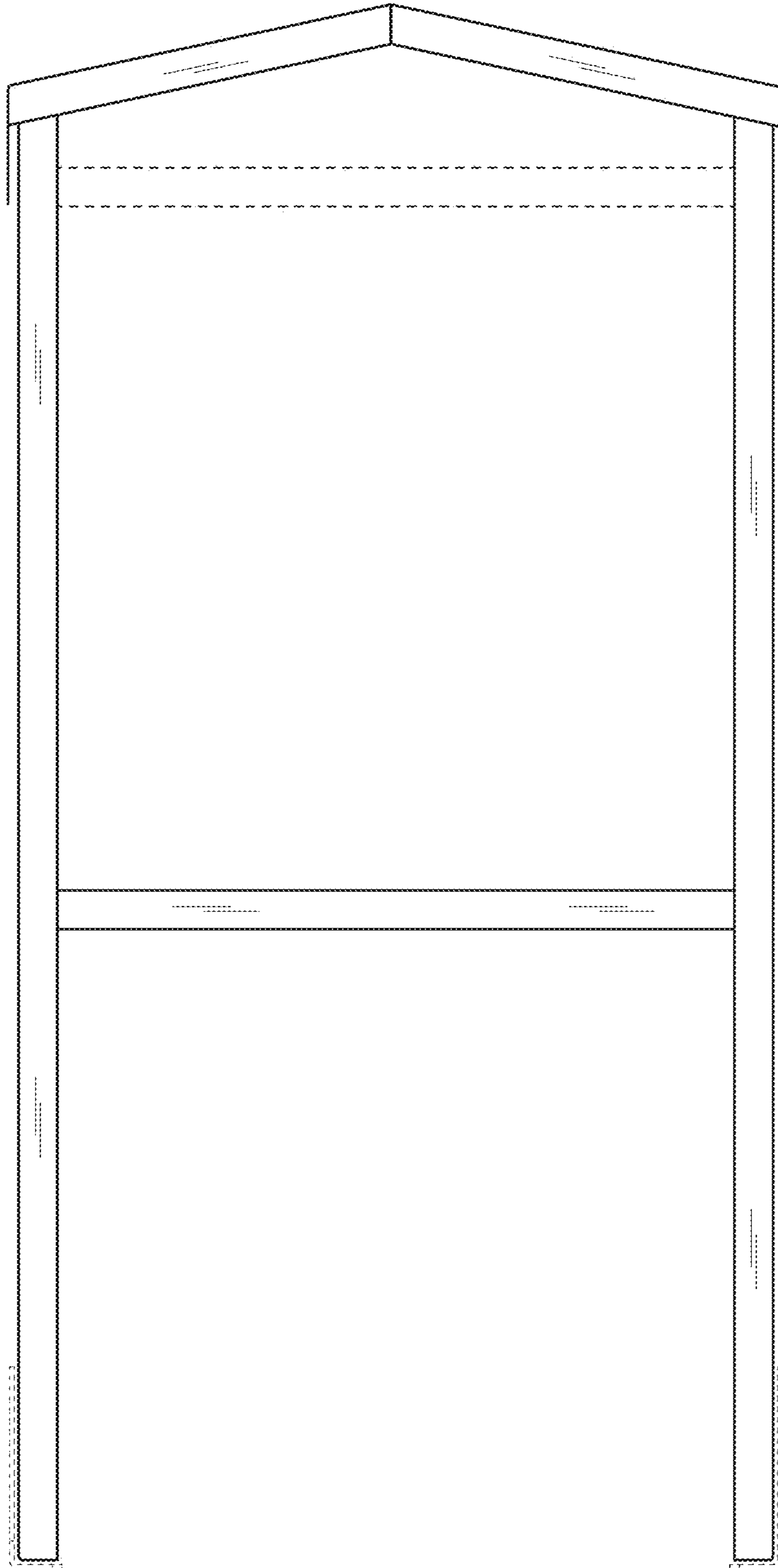


FIG. 1

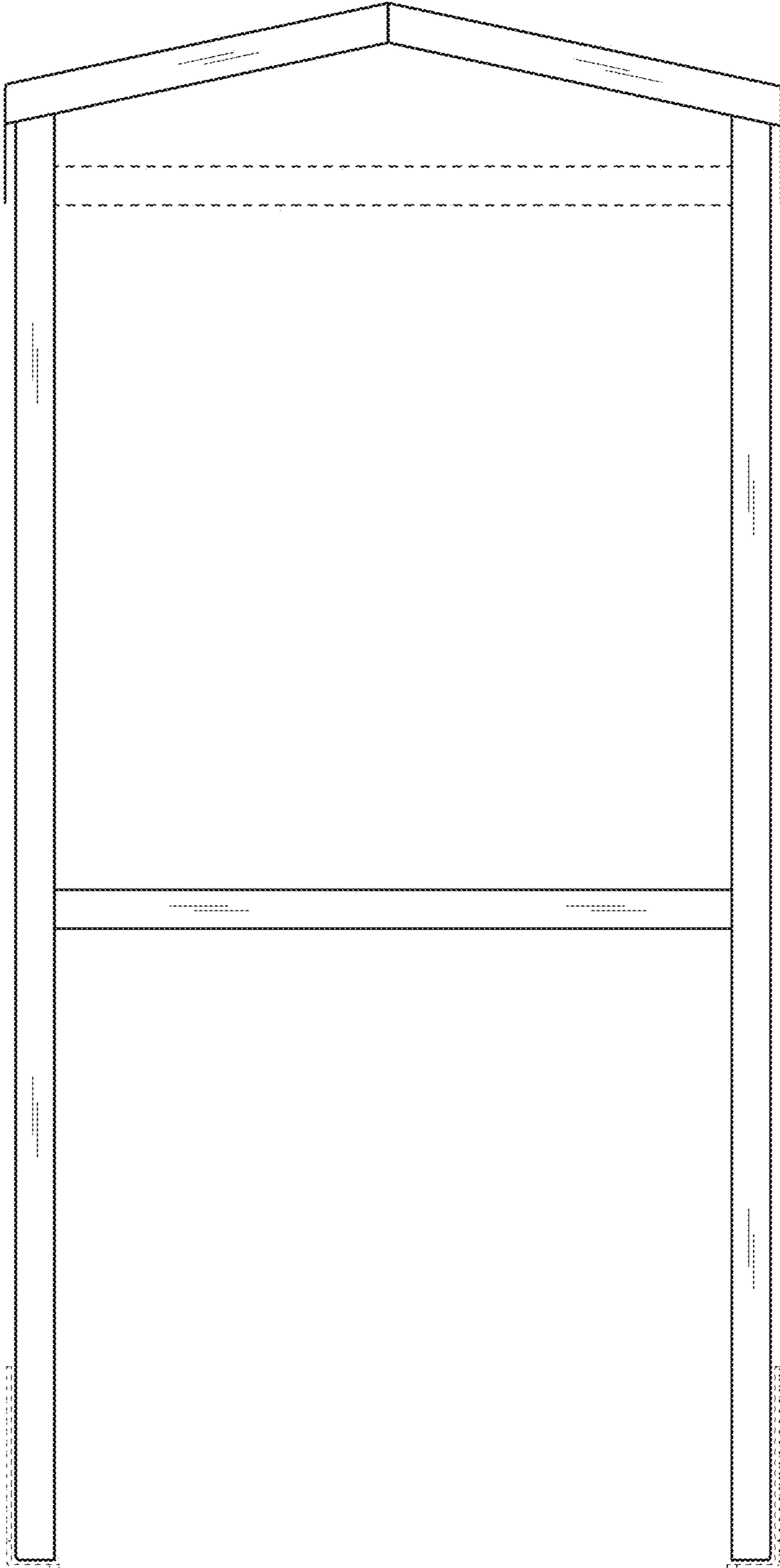


FIG. 2

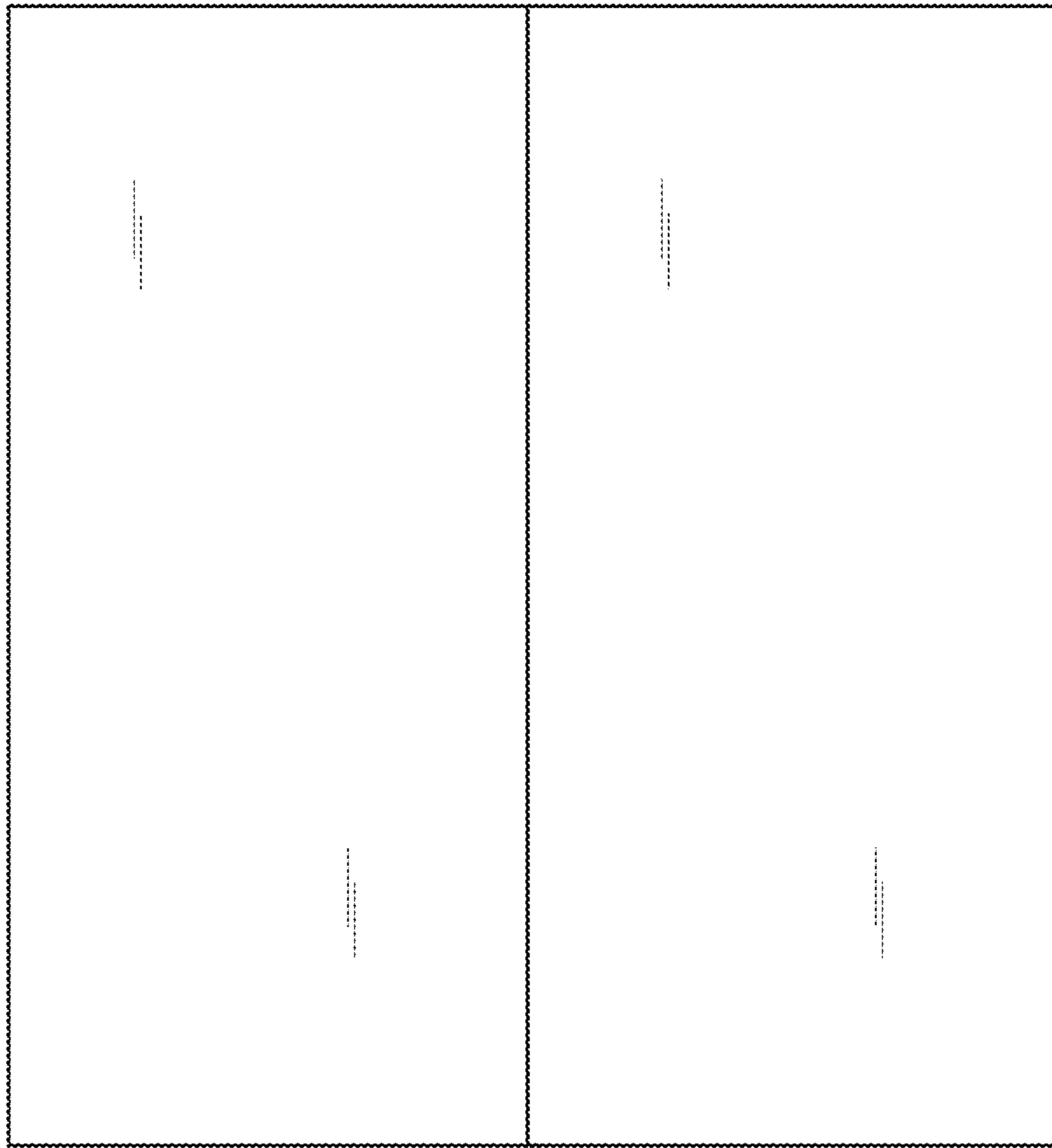


FIG. 3

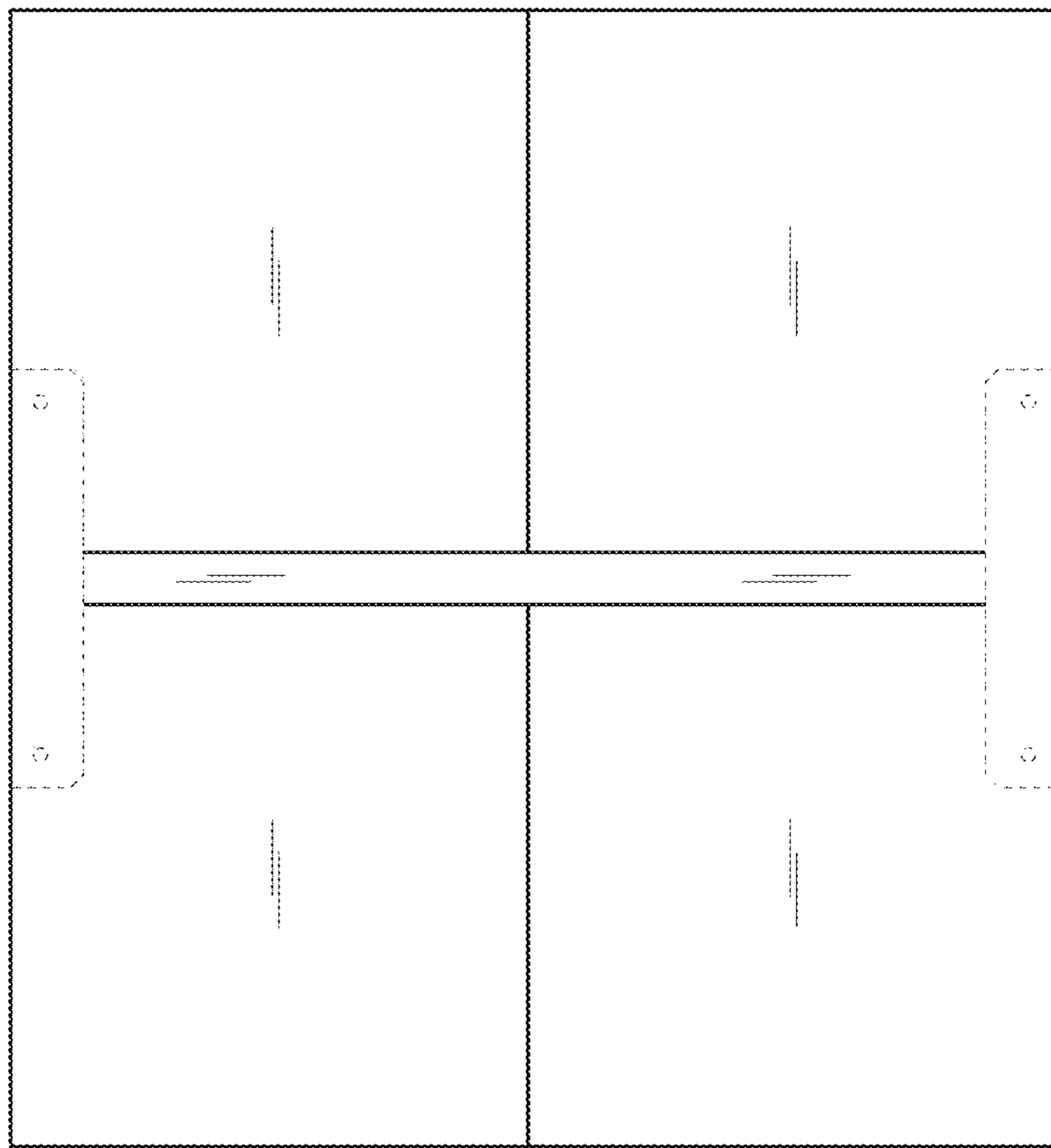


FIG. 4

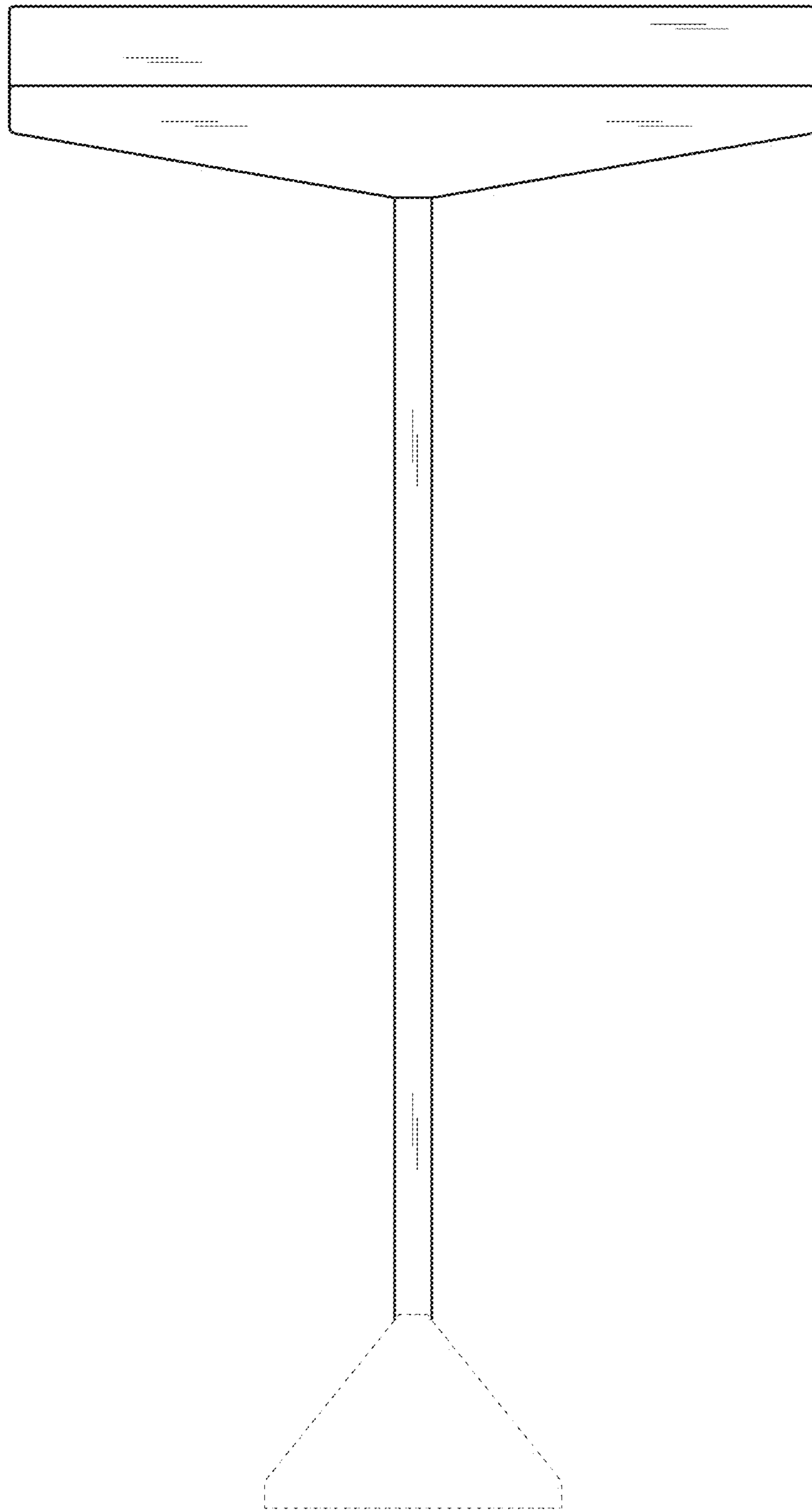


FIG. 5

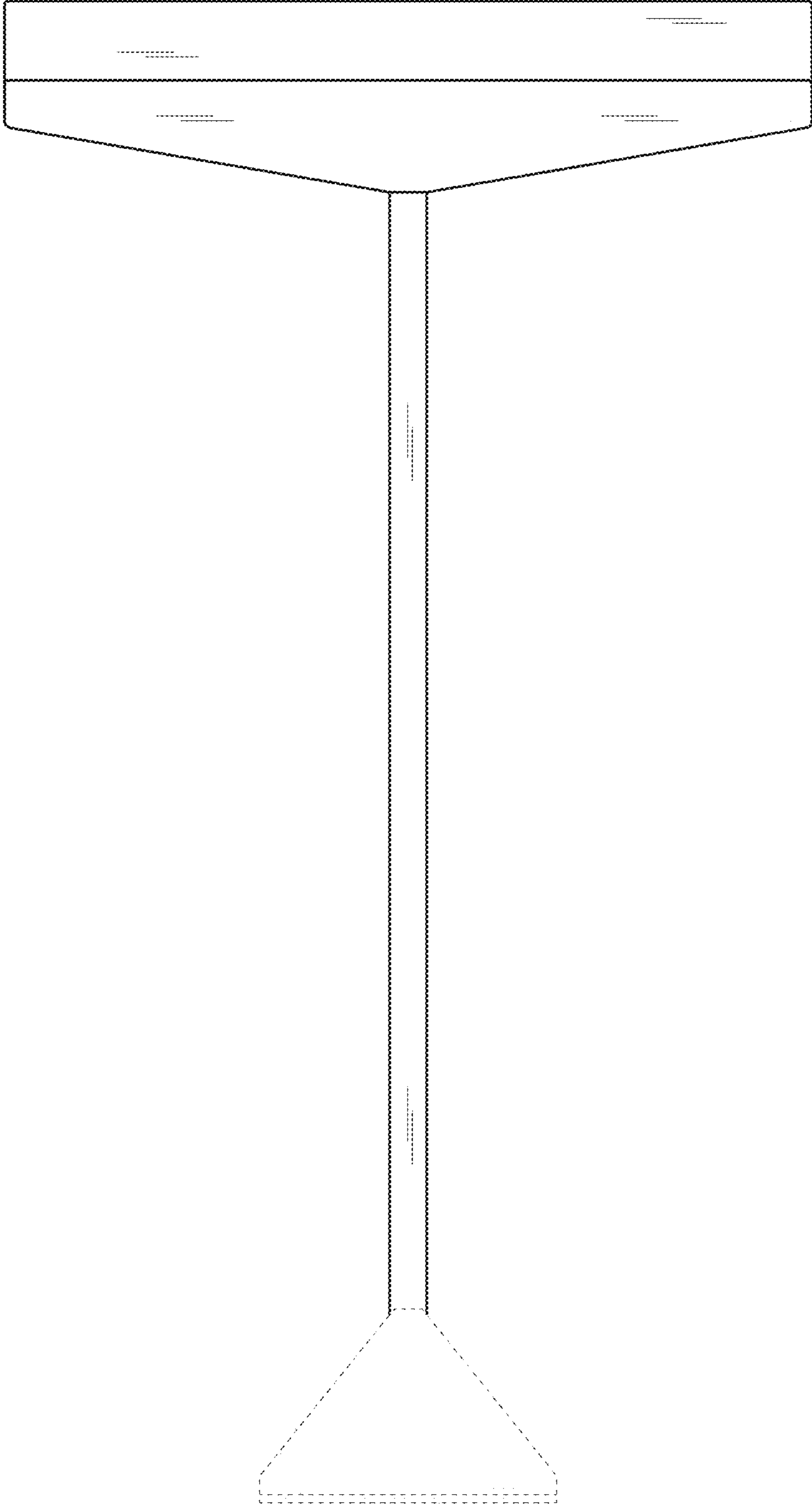


Fig. 6

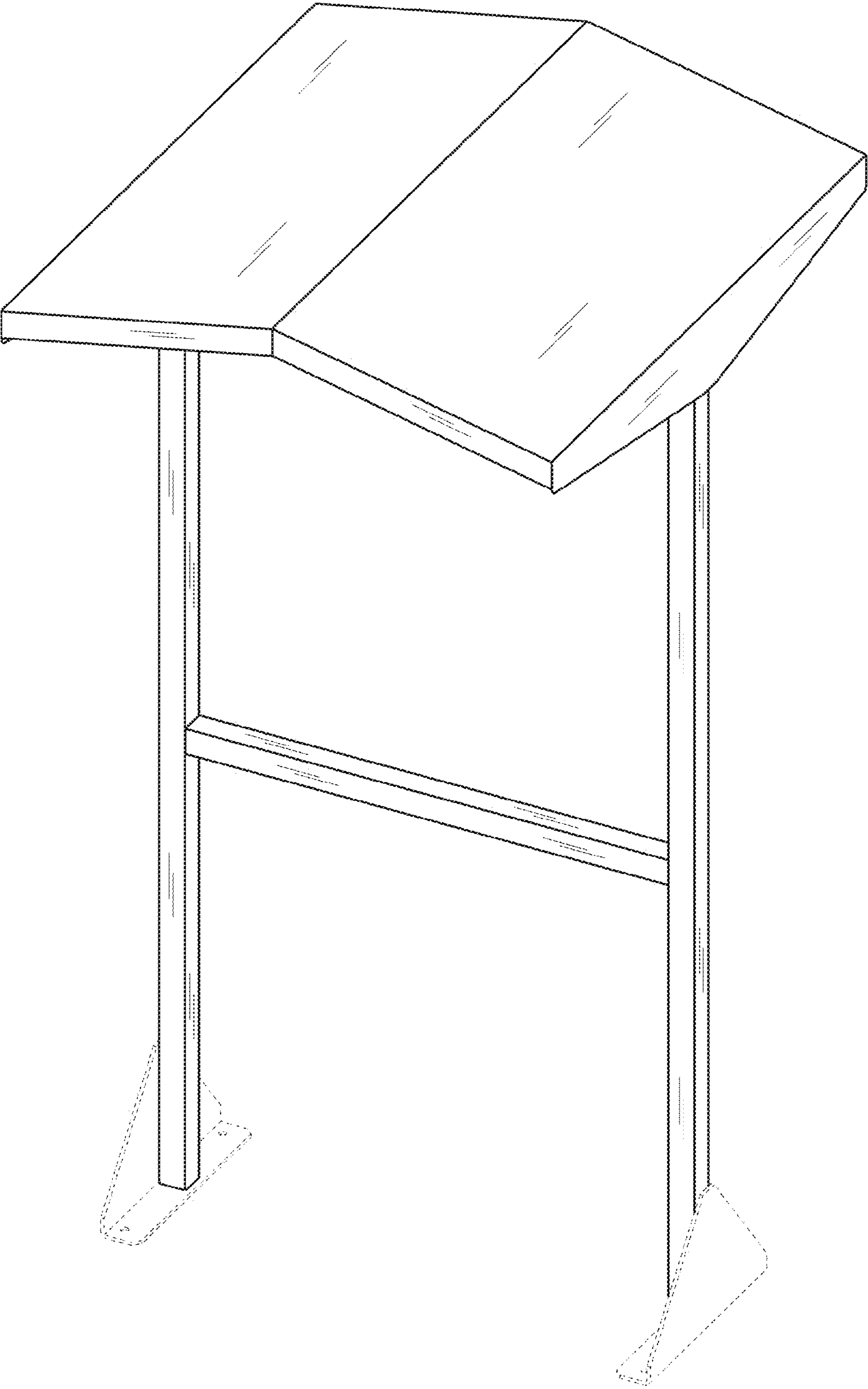


FIG. 7