



US00D963195S

(12) **United States Design Patent** (10) **Patent No.:** **US D963,195 S**
Yamanashi (45) **Date of Patent:** **** Sep. 6, 2022**

(54) **OFFICE BOOTH**
(71) Applicant: **OKAMURA CORPORATION**,
Yokohama (JP)
(72) Inventor: **Asuka Yamanashi**, Yokohama (JP)
(73) Assignee: **Okamura Corporation**, Yokohama (JP)
(**) Term: **15 Years**
(21) Appl. No.: **29/729,096**
(22) Filed: **Mar. 24, 2020**

D603,621 S * 11/2009 Abel D6/643
D612,631 S * 3/2010 Pazhoor D6/643
D616,217 S * 5/2010 Abel D6/643
D616,667 S * 6/2010 Pazhoor D6/643
D616,668 S * 6/2010 Pazhoor D6/643
D622,975 S * 9/2010 Abel D6/643
D646,502 S * 10/2011 Pazhoor D6/643
D671,764 S * 12/2012 Pazhoor D6/643
D671,766 S * 12/2012 Pazhoor D6/643
D671,768 S * 12/2012 Pazhoor D6/643
D706,557 S * 6/2014 Meissner D6/675.1
D741,503 S * 10/2015 Uetabira D25/16
D748,416 S * 2/2016 Meissner D6/675.1
D765,267 S * 8/2016 Uetabira D25/16

(Continued)

(30) **Foreign Application Priority Data**
Sep. 26, 2019 (JP) 2019-021469
(51) **LOC (13) Cl.** **25-03**
(52) **U.S. Cl.**
USPC **D25/16; D6/643**
(58) **Field of Classification Search**
USPC D25/1-35; D6/332, 337, 640-644, 714
CPC E04H 1/14; E04H 1/125; E04H 1/1255;
E04B 1/34321; A27B 3/14
See application file for complete search history.

FOREIGN PATENT DOCUMENTS

GB 3016281 * 7/2004
JP D1464042 * 3/2013

(Continued)

Primary Examiner — Brett Miller
Assistant Examiner — Jasmine L. Comedy
(74) *Attorney, Agent, or Firm* — Sughrue Mion, PLLC

(57) **CLAIM**

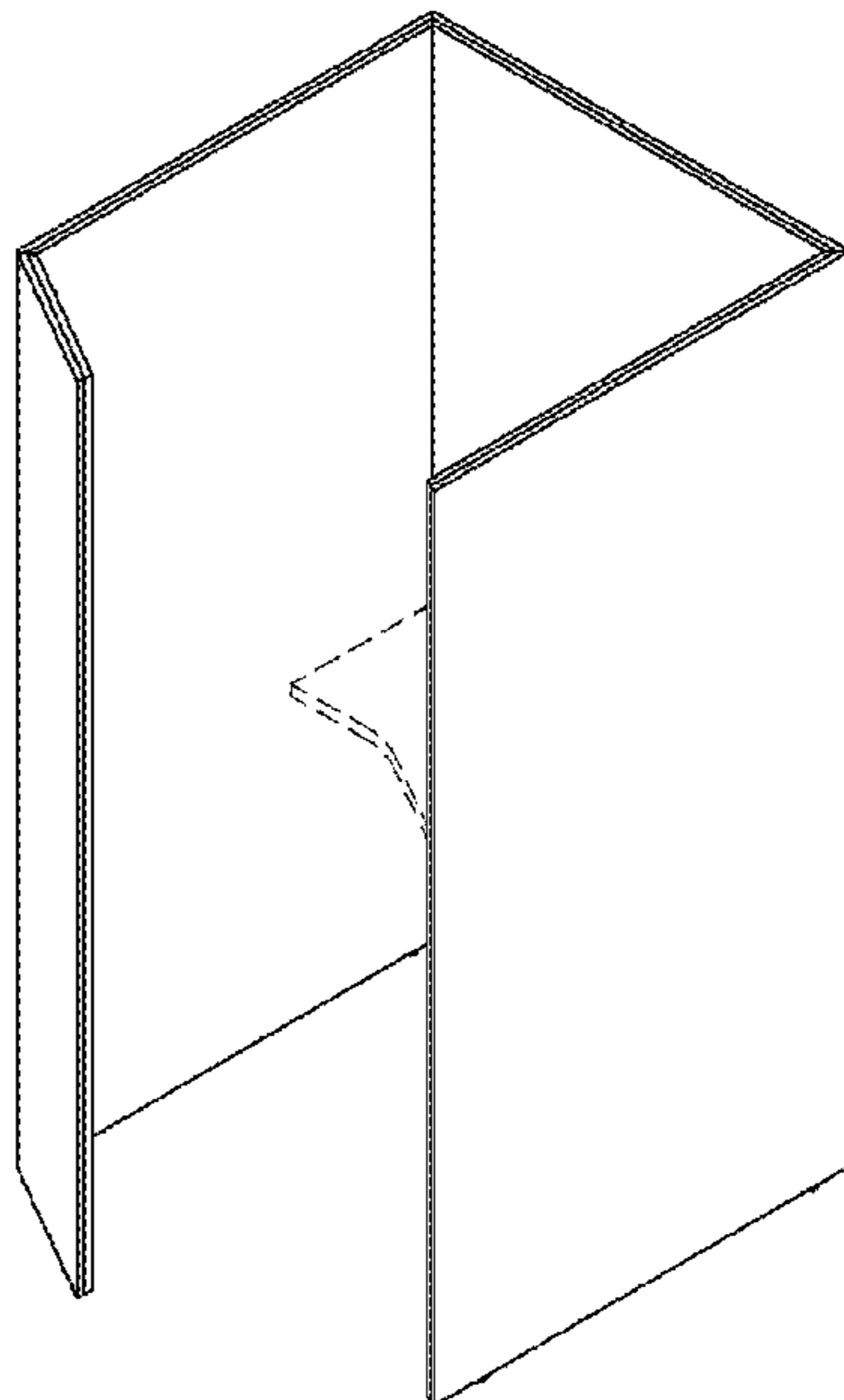
The ornamental design for an office booth, as shown and described.

(56) **References Cited**
U.S. PATENT DOCUMENTS
D215,098 S * 9/1969 Wilcox D6/643
D215,309 S * 9/1969 Barnes 108/60
D244,381 S * 5/1977 Crump D25/16
D245,431 S * 8/1977 Kent D25/16
D297,987 S * 10/1988 Borsos D6/653.17
D339,250 S * 9/1993 Risom D6/643
D359,633 S * 6/1995 Bubb D6/643
D480,232 S * 10/2003 Bosman D6/643
D493,041 S * 7/2004 Gower D6/643
D498,080 S * 11/2004 Bosman D6/643
D603,183 S * 11/2009 Abel D6/643

DESCRIPTION

FIG. 1 is a perspective view of an office booth;
FIG. 2 is a front elevation view thereof;
FIG. 3 is a right side elevation view thereof;
FIG. 4 is a top plan view thereof;
FIG. 5 is a left side elevation view thereof;
FIG. 6 is a rear elevation view thereof; and,
FIG. 7 is a bottom plan view thereof.
The broken lines shown in the drawings illustrate portions of the office booth that form no part of the claimed design.

1 Claim, 7 Drawing Sheets



(56)

References Cited

U.S. PATENT DOCUMENTS

D796,871 S * 9/2017 Bouroullec D6/643
D798,613 S * 10/2017 Rost, Jr. D6/332
D854,357 S * 7/2019 Wolf D6/643
D873,053 S * 1/2020 Wolf D6/643
D910,205 S * 2/2021 Nakata D25/16
D929,608 S * 8/2021 Kitada D25/16
2016/0312486 A1 * 10/2016 Booker E04H 1/1266

FOREIGN PATENT DOCUMENTS

JP D1464315 * 3/2013
JP D1518090 * 2/2015
JP D1550590 * 5/2016
JP 2021067033 A * 4/2021 E04B 1/343

* cited by examiner

FIG. 1

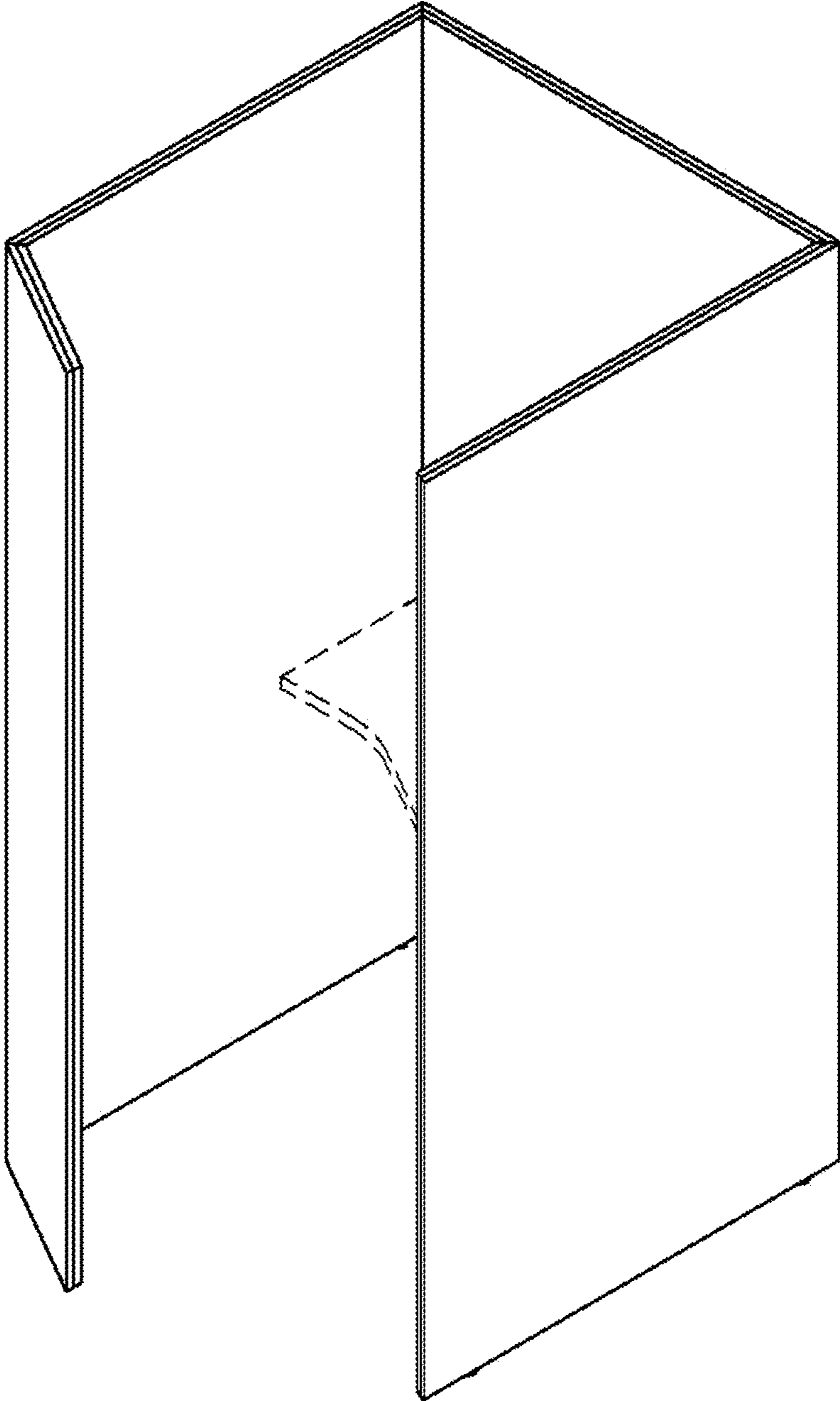


FIG. 2

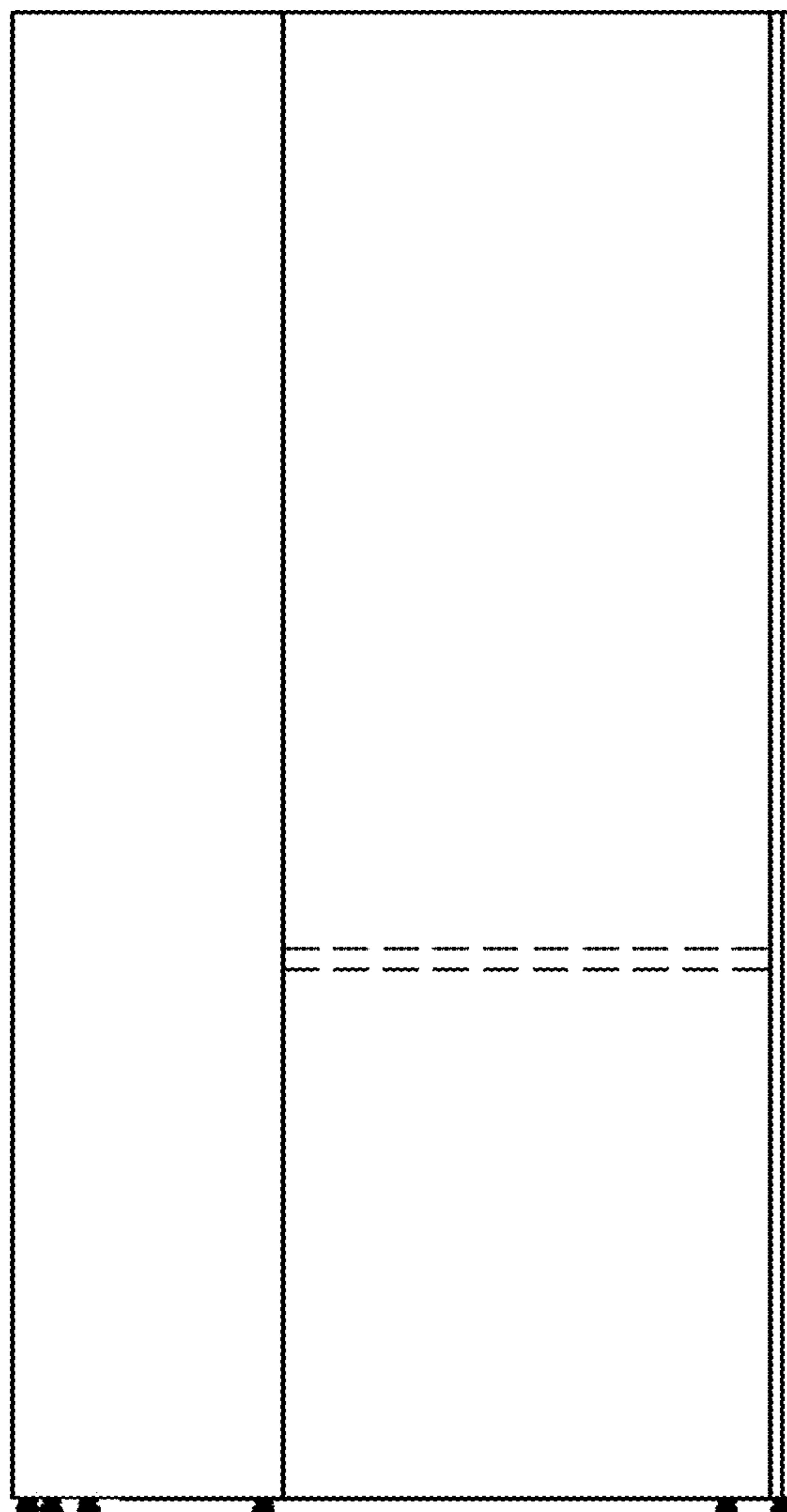


FIG. 3



FIG. 4

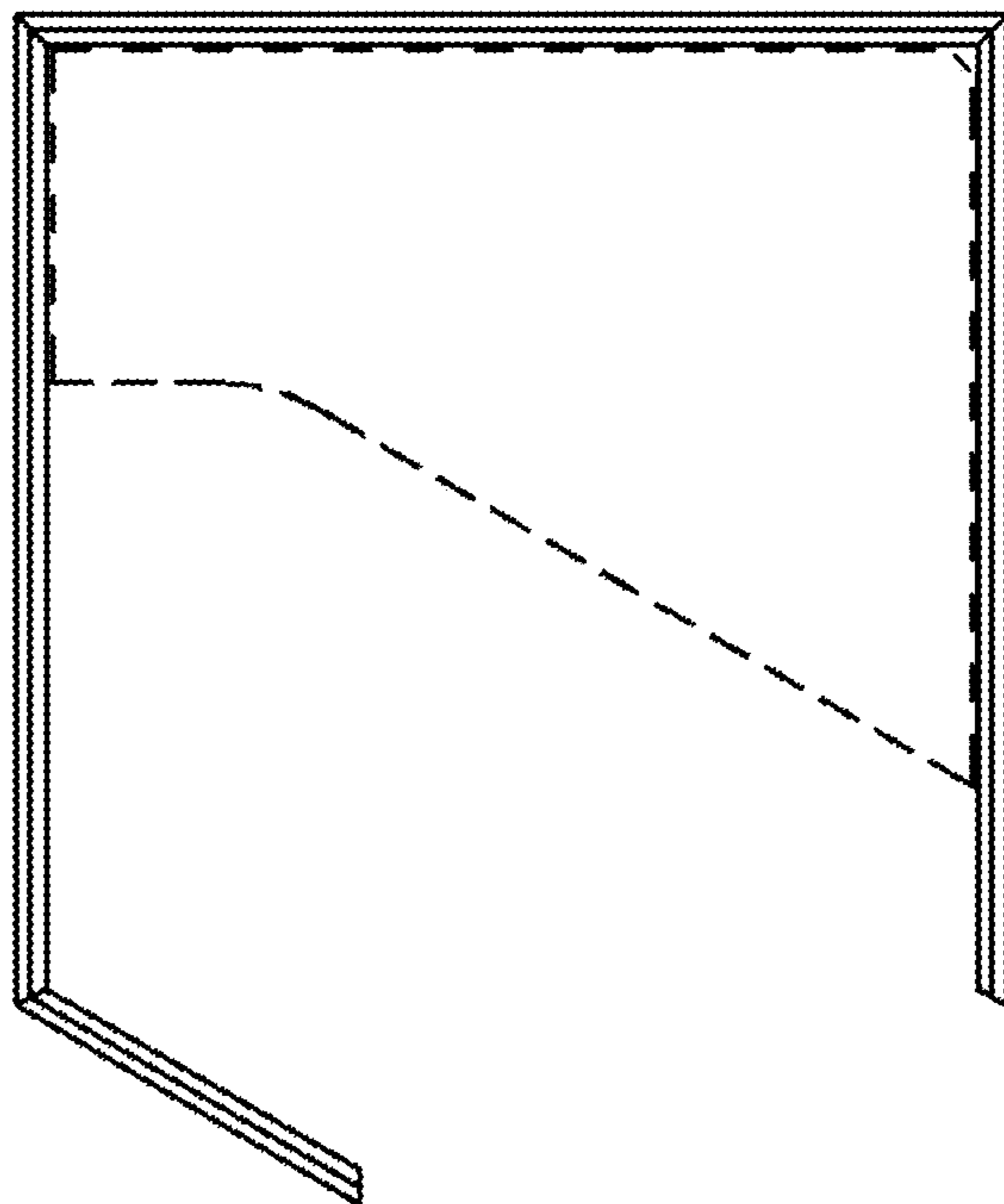


FIG. 5

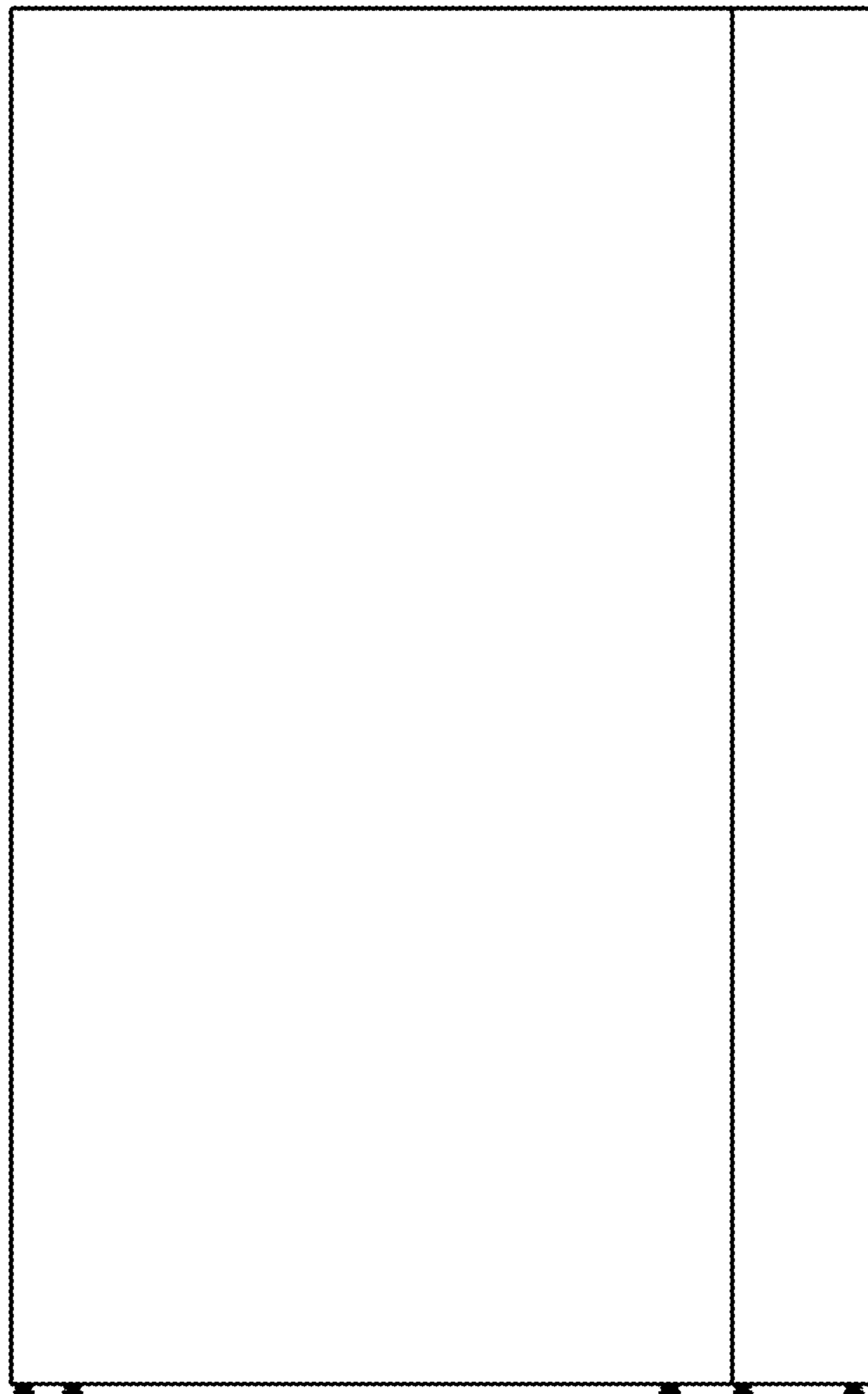


FIG. 6

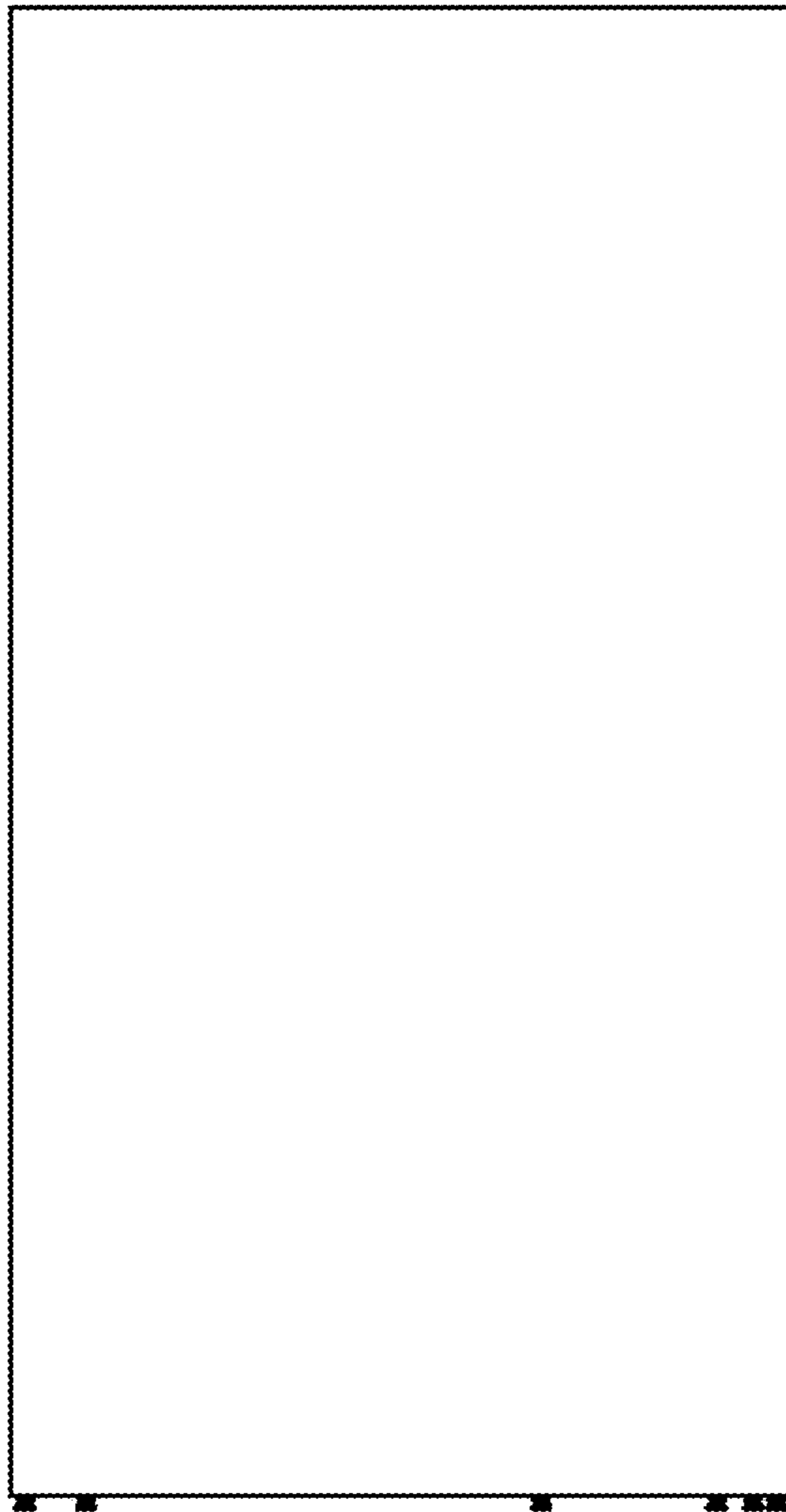


FIG. 7

