



US00D963194S

(12) **United States Design Patent** (10) **Patent No.:** **US D963,194 S**
Bixon et al. (45) **Date of Patent:** **** Sep. 6, 2022**

(54) **CRYOGENIC VIAL CARRIER**

FOREIGN PATENT DOCUMENTS

(71) Applicant: **TMRW Life Sciences, Inc.**, New York, NY (US)

AU 2011357590 B2 9/2015
AU 2017287017 A1 1/2019

(Continued)

(72) Inventors: **Brian Joseph Bixon**, Jersey City, NJ (US); **Cynthia Hudson**, New York, NY (US); **Alan Murray**, New York, NY (US)

OTHER PUBLICATIONS

CX100 Cryo Express Dry Shipper With Shipping Case. Online, published date unknown. Retrieved on Apr. 6, 2022 from URL: <https://www.mitegen.com/product/cryo-express-dry-shipper-cx100-with-case/>.*

OXO Airtight Pet Food Storage POP Container. Online published date unknown. Retrieved on Apr. 6, 2022 from URL: <https://www.walmart.com/ip/oxo-pet-food-storage-pop-container/623284606>.*

(Continued)

(73) Assignee: **TMRW Life Sciences, Inc.**, New York, NY (US)

(**) Term: **15 Years**

Primary Examiner — Omeed Agilee

(74) *Attorney, Agent, or Firm* — Cozen O'Connor

(21) Appl. No.: **29/761,515**

(22) Filed: **Dec. 9, 2020**

(57) **CLAIM**

The ornamental design for a cryogenic vial carrier, as shown and described.

(51) **LOC (13) Cl.** **24-02**

(52) **U.S. Cl.**
USPC **D24/227**

DESCRIPTION

(58) **Field of Classification Search**

USPC D24/115, 121, 216, 224, 225, 231, 232, D24/219, 226–229; D9/434, 435, 443, D9/448–449, 452–453, 520–521, 531, D9/557–560; D3/203.1–203.3, 203.6, D3/205–206, 226, 228, 273–274, 276, D3/281–291, 293–304, 313, 901, 903, D3/905; D28/73, 76

CPC A01N 1/0268; B29C 45/1671; B01L 9/06; B65D 1/00; B65D 1/34; B65D 1/36; B65D 85/00; A45C 11/008; A45C 11/16; A45C 11/26; A45C 13/02; A45C 15/04

See application file for complete search history.

FIG. 1 is a front, right side, top, perspective view of a cryogenic vial carrier showing our new design; FIG. 2 is a rear, left side, bottom, perspective view of the cryogenic vial carrier illustrated in FIG. 1; FIG. 3 is a front elevation view of the cryogenic vial carrier illustrated in FIG. 1; FIG. 4 is a right side elevation view of the cryogenic vial carrier illustrated in FIG. 1; FIG. 5 is a left side elevation view of the cryogenic vial carrier illustrated in FIG. 1; FIG. 6 is a rear elevation view of the cryogenic vial carrier illustrated in FIG. 1; FIG. 7 is a top plan view of the cryogenic vial carrier illustrated in FIG. 1; and, FIG. 8 is a bottom plan view of the cryogenic vial carrier illustrated in FIG. 1.

The dashed broken lines in the FIGS. 1 through 8 represent portions of the cryogenic vial carrier that form no part of the claimed design.

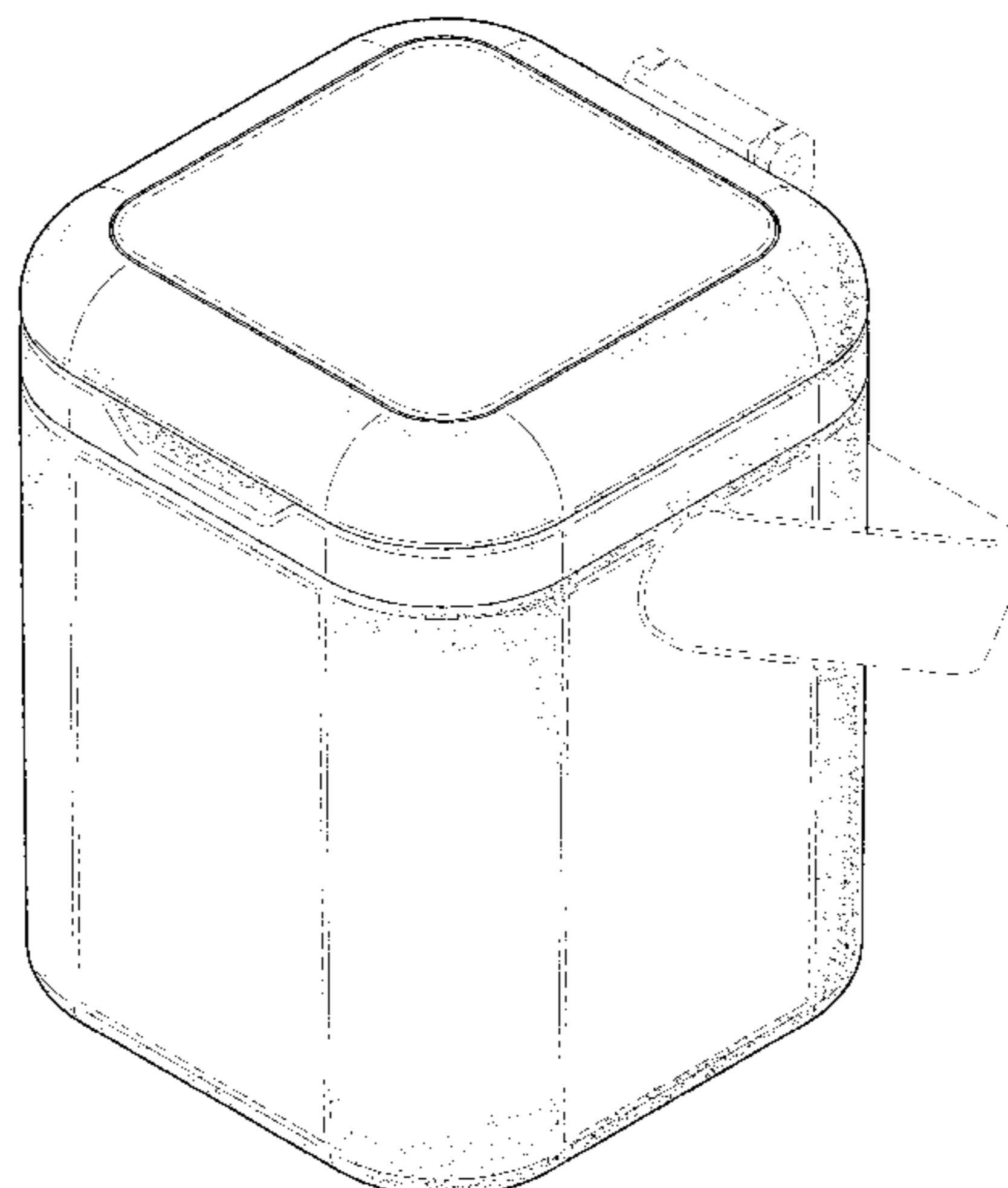
(56) **References Cited**

U.S. PATENT DOCUMENTS

D300,583 S * 4/1989 Smith D3/901
D310,264 S 8/1990 Leoncavallo et al.
D382,809 S * 8/1997 Aldrich D9/573

(Continued)

1 Claim, 8 Drawing Sheets



(56)

References Cited

U.S. PATENT DOCUMENTS

D382,810 S * 8/1997 Aldrich D9/529
 5,711,446 A * 1/1998 Jeffs B65D 81/18
 220/23.83
 5,741,462 A 4/1998 Nova et al.
 5,751,629 A 5/1998 Nova et al.
 5,874,214 A 2/1999 Nova et al.
 D408,145 S * 4/1999 Au D3/903
 5,925,562 A 7/1999 Nova et al.
 6,066,300 A * 5/2000 Carey B01L 9/06
 422/65
 6,100,026 A 8/2000 Nova et al.
 6,141,975 A 11/2000 Tatsumi
 6,329,139 B1 12/2001 Nova et al.
 6,564,120 B1 5/2003 Richard et al.
 6,701,743 B1 * 3/2004 Durst F25D 3/107
 62/371
 D496,398 S 9/2004 Greenberg
 D506,550 S 6/2005 Greenberg
 D535,478 S * 1/2007 Uffner D3/273
 7,278,328 B2 10/2007 Massaro
 7,316,896 B2 1/2008 Kuwayama et al.
 7,411,508 B2 8/2008 Harazin et al.
 D576,488 S * 9/2008 Miota D9/449
 7,661,591 B2 2/2010 Dearing et al.
 7,870,748 B2 1/2011 Byrne
 8,097,199 B2 1/2012 Abbott et al.
 8,115,599 B2 2/2012 Harazin et al.
 8,168,138 B2 5/2012 Che et al.
 8,378,827 B2 2/2013 Davidowitz et al.
 D682,045 S * 5/2013 Myoung D7/629
 8,502,645 B2 8/2013 Thomas et al.
 8,790,597 B2 7/2014 Childs et al.
 8,852,536 B2 10/2014 Davidowitz et al.
 8,872,627 B2 10/2014 Davidowitz
 8,884,743 B2 11/2014 Chaffey et al.
 8,937,550 B2 1/2015 Phaneuf et al.
 9,028,754 B2 5/2015 Winter et al.
 D733,314 S * 6/2015 Lui D24/227
 9,140,487 B2 9/2015 Chaffey et al.
 9,163,869 B2 10/2015 Warhurst et al.
 9,297,499 B2 3/2016 Jimenez-Rios et al.
 9,418,265 B2 8/2016 Morris et al.
 9,431,692 B2 8/2016 Davidowitz et al.
 D771,271 S * 11/2016 Zingre D24/216
 9,501,734 B2 11/2016 Morris
 D777,941 S * 1/2017 Pirafoon D24/224
 9,538,746 B2 1/2017 Inoue
 9,551,649 B2 1/2017 Houghton et al.
 9,589,225 B2 3/2017 Morris
 9,619,678 B2 4/2017 Morris et al.
 9,697,457 B2 7/2017 Morris
 9,723,832 B2 8/2017 Camenisch et al.
 9,736,890 B2 8/2017 Chaffey et al.
 9,764,325 B2 9/2017 Davidowitz
 9,796,574 B2 10/2017 Frey et al.
 9,928,457 B2 3/2018 McDowell
 D816,165 S 4/2018 Haug
 D835,472 S * 12/2018 Seiders D7/605
 D840,684 S * 2/2019 Luburic D3/294
 D845,139 S * 4/2019 Wilson D9/560
 10,328,431 B2 6/2019 Davidowitz
 10,401,082 B2 9/2019 Coradetti et al.
 10,531,657 B2 1/2020 Farrington et al.
 D874,875 S * 2/2020 Huang D7/602
 10,677,810 B2 6/2020 Grimwood et al.
 D890,948 S 7/2020 Figueredo et al.
 10,748,050 B2 8/2020 Morris et al.
 D910,836 S 2/2021 Sandberg et al.
 10,989,636 B2 4/2021 Gutelius et al.
 D928,343 S * 8/2021 Bonnoitt, Jr. D24/227
 D930,186 S * 9/2021 Kim D3/203.1
 D931,128 S 9/2021 Li
 D932,906 S 10/2021 Schulz
 D938,053 S 12/2021 Xiao
 D945,271 S * 3/2022 Halgren D9/560

2002/0190845 A1 12/2002 Moore
 2004/0100415 A1 5/2004 Veitch et al.
 2005/0247782 A1 11/2005 Ambartsoumian
 2006/0051239 A1 3/2006 Massaro
 2006/0283945 A1 12/2006 Excoffier et al.
 2008/0121700 A1 5/2008 Dearing et al.
 2008/0239478 A1 10/2008 Tafas et al.
 2009/0015430 A1 1/2009 Harazin et al.
 2009/0026907 A1 1/2009 Davidowitz et al.
 2010/0302040 A1 12/2010 Davidowitz et al.
 2011/0137812 A1 6/2011 Sherga
 2011/0143452 A1 * 6/2011 Che A01N 1/0268
 436/180
 2011/0199187 A1 8/2011 Davidowitz
 2011/0199188 A1 8/2011 Dickson
 2011/0308271 A1 12/2011 Schryver
 2011/0312102 A1 12/2011 Jo
 2012/0060514 A1 3/2012 Warhurst et al.
 2012/0256806 A1 10/2012 Davidowitz et al.
 2012/0293338 A1 11/2012 Chaffey et al.
 2013/0048711 A1 2/2013 Burns et al.
 2013/0076215 A1 3/2013 Davidowitz et al.
 2013/0106579 A1 5/2013 Aubert et al.
 2013/0119562 A1 5/2013 Shimizu et al.
 2013/0151004 A1 6/2013 Winter et al.
 2013/0152710 A1 6/2013 Laugharn et al.
 2013/0217107 A1 8/2013 Pederson et al.
 2014/0008355 A1 1/2014 Chaffey et al.
 2014/0157798 A1 6/2014 Jimenez-Rios et al.
 2014/0171829 A1 6/2014 Holmes et al.
 2014/0230472 A1 8/2014 Coradetti et al.
 2014/0352456 A1 12/2014 Davidowitz
 2015/0045782 A1 2/2015 Ottanelli
 2015/0122887 A1 5/2015 Morris et al.
 2015/0125574 A1 5/2015 Arent et al.
 2015/0204598 A1 7/2015 Affleck et al.
 2015/0205986 A1 7/2015 Morris et al.
 2015/0356398 A1 12/2015 Morris
 2015/0379390 A1 12/2015 Morris
 2016/0026911 A1 1/2016 Morris et al.
 2016/0101908 A1 * 4/2016 Minnette B65D 55/026
 220/214
 2016/0175837 A1 6/2016 Chaffey et al.
 2016/0236387 A1 * 8/2016 Carroll B29D 22/003
 2016/0353730 A1 12/2016 Harston et al.
 2016/0358062 A1 12/2016 Morris
 2017/0122846 A1 5/2017 Holmes et al.
 2017/0184479 A1 6/2017 Schryver et al.
 2017/0320054 A1 11/2017 Crum et al.
 2018/0020659 A1 1/2018 Camenisch et al.
 2018/0043364 A1 2/2018 Davidowitz
 2018/0100868 A1 4/2018 Grimwood et al.
 2018/0135806 A1 5/2018 Qu et al.
 2018/0202908 A1 7/2018 Croquette et al.
 2018/0368394 A1 12/2018 Kjelland et al.
 2019/0000073 A1 1/2019 Pedersen et al.
 2019/0060892 A1 2/2019 Davidowitz et al.
 2019/0162639 A1 5/2019 Gutelius et al.
 2019/0193078 A1 6/2019 Fiondella et al.
 2019/0250181 A1 8/2019 Seeber
 2019/0293344 A1 9/2019 Sun et al.
 2020/0093122 A1 3/2020 Lin et al.
 2020/0281191 A1 9/2020 Ally et al.

FOREIGN PATENT DOCUMENTS

CN 105890965 A 8/2016
 CN 205815766 U 12/2016
 CN 107624751 A 1/2018
 CN 110589332 A 12/2019
 CN 110645752 A 1/2020
 CN 210709605 U 6/2020
 CN 210709624 U 6/2020
 CN 210711515 U 6/2020
 EP 0706825 A1 4/1996
 EP 1366998 A3 3/2004
 EP 1916492 A1 4/2008
 EP 2315163 A1 4/2011
 EP 2124171 B1 8/2012

(56)

References Cited

FOREIGN PATENT DOCUMENTS

EP	1981692	B1	6/2015
EP	2335182	B1	10/2015
EP	2297736	B1	2/2016
EP	2614320	B1	10/2016
EP	2948247	B1	11/2017
EP	3539899	A1	9/2019
EP	2965266	B1	10/2019
WO	9216800	A1	10/1992
WO	03061381	A1	7/2003
WO	2005093641	A1	10/2005
WO	2005109332	A1	11/2005
WO	2006029110	A1	3/2006
WO	2007024540	A1	3/2007
WO	2007049039	A1	5/2007
WO	2007075253	A2	7/2007
WO	2007092119	A1	8/2007
WO	2008024471	A2	2/2008
WO	2008057150	A1	5/2008
WO	2009004366	A1	1/2009
WO	2009017558	A1	2/2009
WO	2009120596	A1	10/2009
WO	2009155638	A1	12/2009
WO	2010037166	A1	4/2010
WO	2011069190	A1	6/2011
WO	2012100281	A1	8/2012
WO	2012033605	A3	11/2012
WO	2013053011	A1	4/2013
WO	2014001819	A1	1/2014
WO	2014009729	A1	1/2014
WO	2014114938	A2	7/2014
WO	2014157798	A1	10/2014
WO	2014191757	A1	12/2014
WO	2015073964	A1	5/2015
WO	2015109315	A3	10/2015
WO	2016120224	A1	8/2016
WO	2016200519	A1	12/2016
WO	2017075144	A1	5/2017
WO	2017109153	A1	6/2017
WO	2018000051	A1	1/2018
WO	2018025053	A1	2/2018
WO	2018039727	A1	3/2018
WO	2018097267	A1	5/2018
WO	2019005450	A1	1/2019
WO	2019182900	A1	9/2019

OTHER PUBLICATIONS

“IVF Witness System: RI Witness TM ART Management System”, Confidence, Efficiency and Trust, IVF Witness System—RI Witness—CooperSurgical Fertility Companies <https://fertility.coopersurgical.com/equipment/ri-witness>—Apr. 19, 2021, 28 pages.

“IVF Witness System: RI Witness TM ART Management System”, CooperSurgical Fertility Company 2021, 24 pages.

“RI Witness—Confidence, Efficiency and Trust”, CooperSurgical, Fertility and Genomic Solutions, Order No. WIT_BRO_001_V13_ROW—Oct. 13, 2020, 13 pages.

“RI Witness—Product guide”, CooperSurgical Fertility and Genomic Solutions, Order No. EQU_BRO_004, V1: ROW Oct. 24, 2018, 12 pages.

Brady printer Range, “Everyone is Unique” Continual cryopreservation monitoring from RI Witness, CooperSurgical, Inc. Order No. WIT_FLY_010_V2_US Oct. 14, 2020, 3 pages.

CooperSurgical, RI Witness, Order No. CE 60010312 Version 3-ROW: Oct. 24, 2018, 12 pages.

Cryogenic Vials, Standard. Online, published date unknown. Retrieved on Dec. 8, 2021 from URL: <https://www.nextdayscience.com/cryogenic-vials-standard.htm>.

FluidX Tri-Coded Jacket: 0.7ml Sample Storage Tube with External Thread; Brooks Life Sciences; <https://bioinventory.biostorage.com>.

International Search Report and Written Opinion of the International Searching Authority, dated Jan. 12, 2022, for International Application No. PCT/US2021/051803, 8 pages.

Office Action dated Sep. 3, 2020, for U.S. Appl. No. 16/840,718, 46 pages.

Maggiulli, Roberta , et al., “Implementing an electronic witnessing system into a busy IVF clinic—one clinic’s experience”, Genera Center for Reproductive Medicine, Rome, Italy, 2 pages.

Rienzi, Laura , et al., Poster Witness “Electronic Witness System makes patients less concerned about biological sample mix-up errors and comfortable with IOVF clinical practice”, Genera Center for Reproductive Medicine, Via de Notaris 2b, 00197, Rome, Italy. 2015, 1 page.

Thornhill, A. R, et al., Measuring human error in the IVF laboratory using an electronic witnessing system, Monduzzi Editoriale, Proceedings, 17th World Congress on Controversies in Obstetrics, Gynecology & Infertility (GOGI), Nov. 8-11, 2012 Lisbon, Portugal, 6 pages.

* cited by examiner

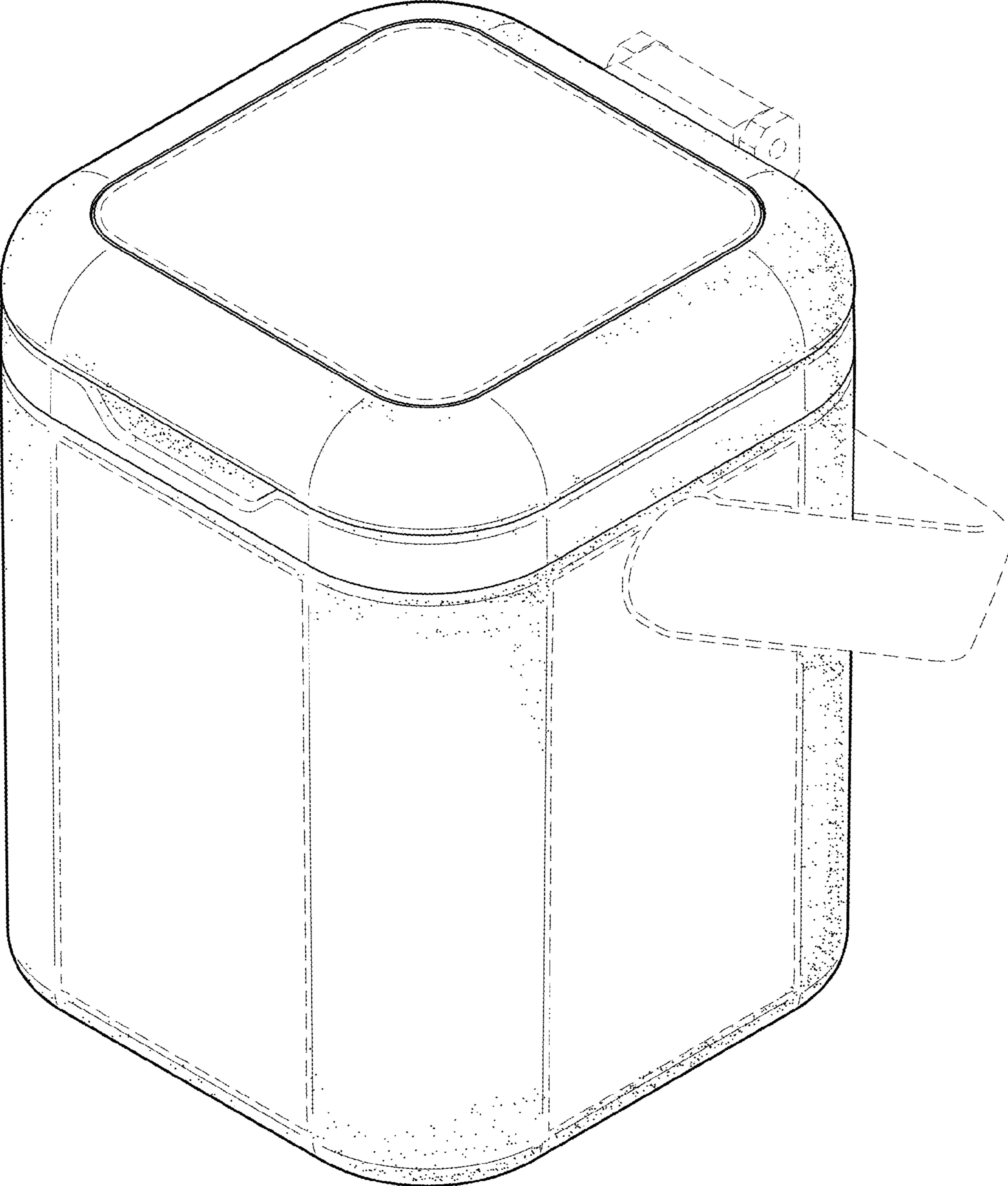


FIG. 1

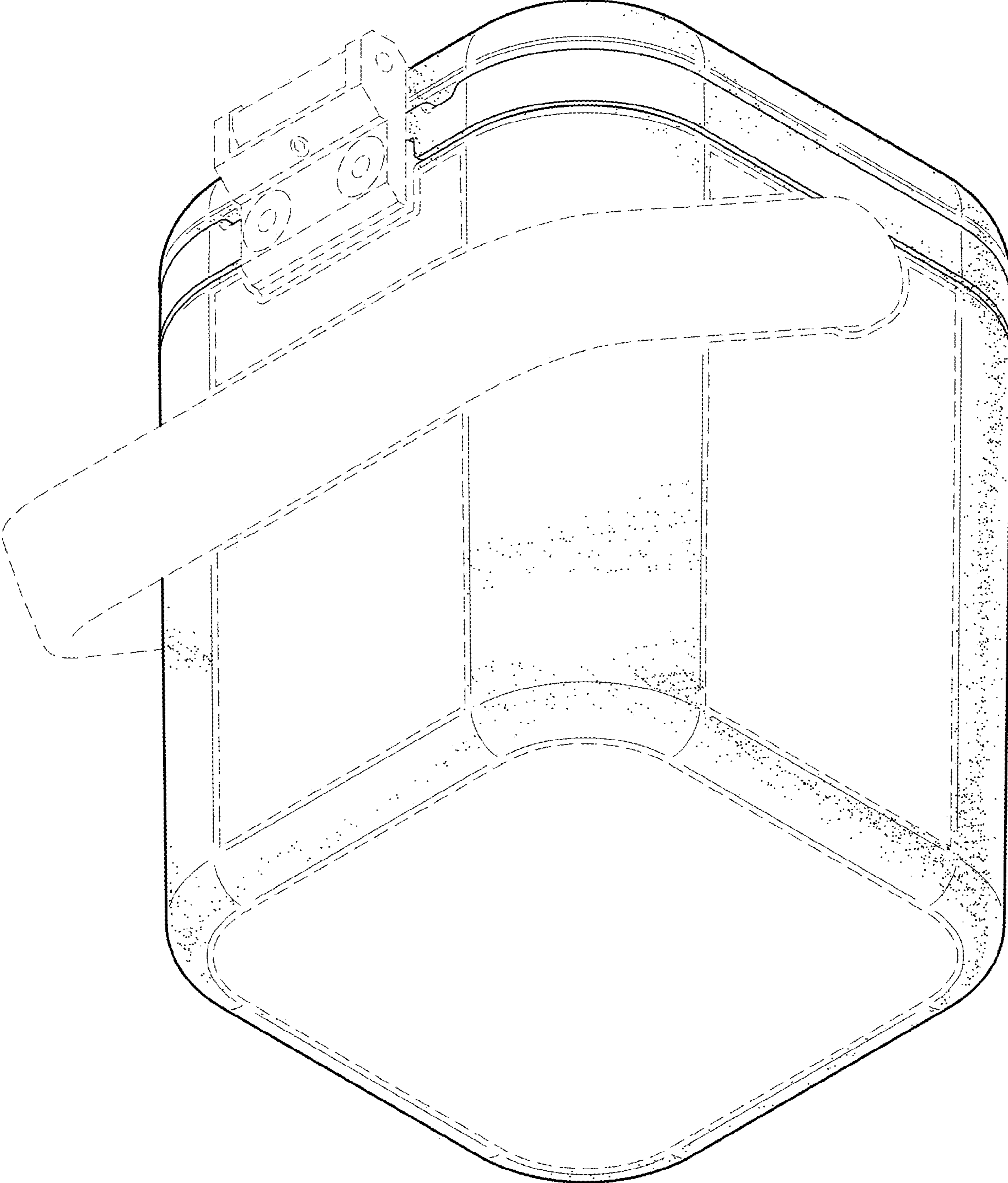


FIG. 2

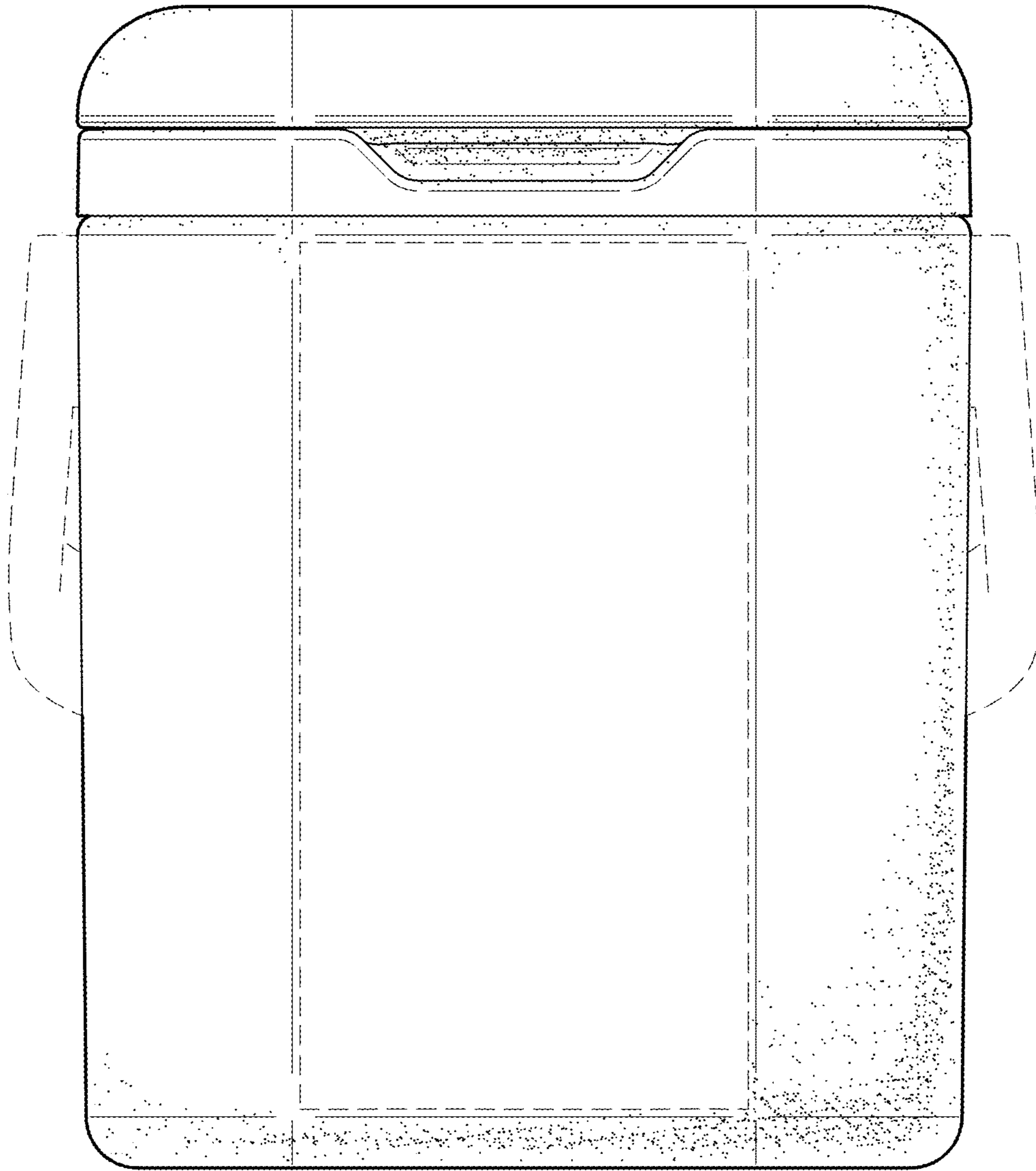


FIG. 3

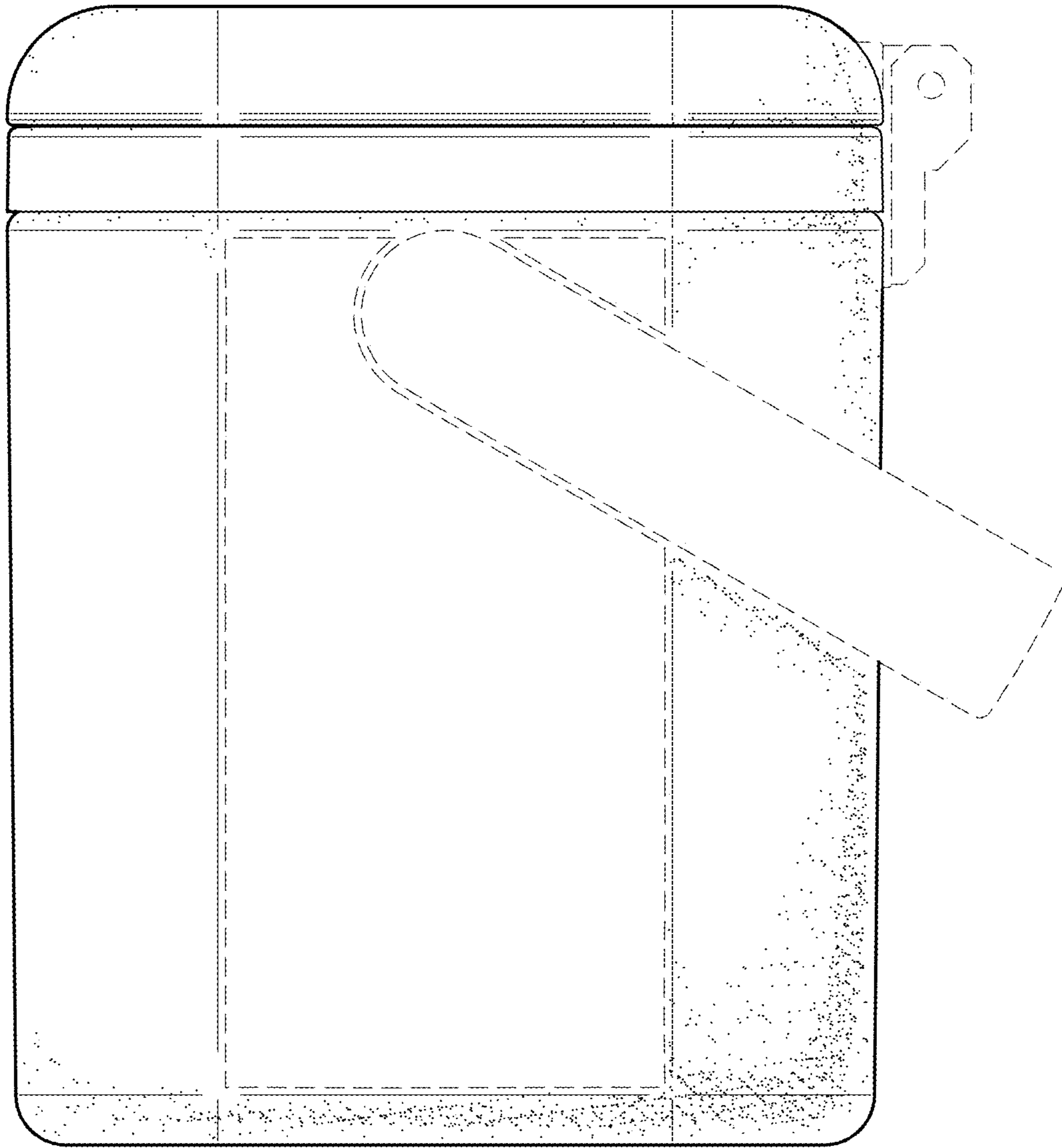


FIG. 4

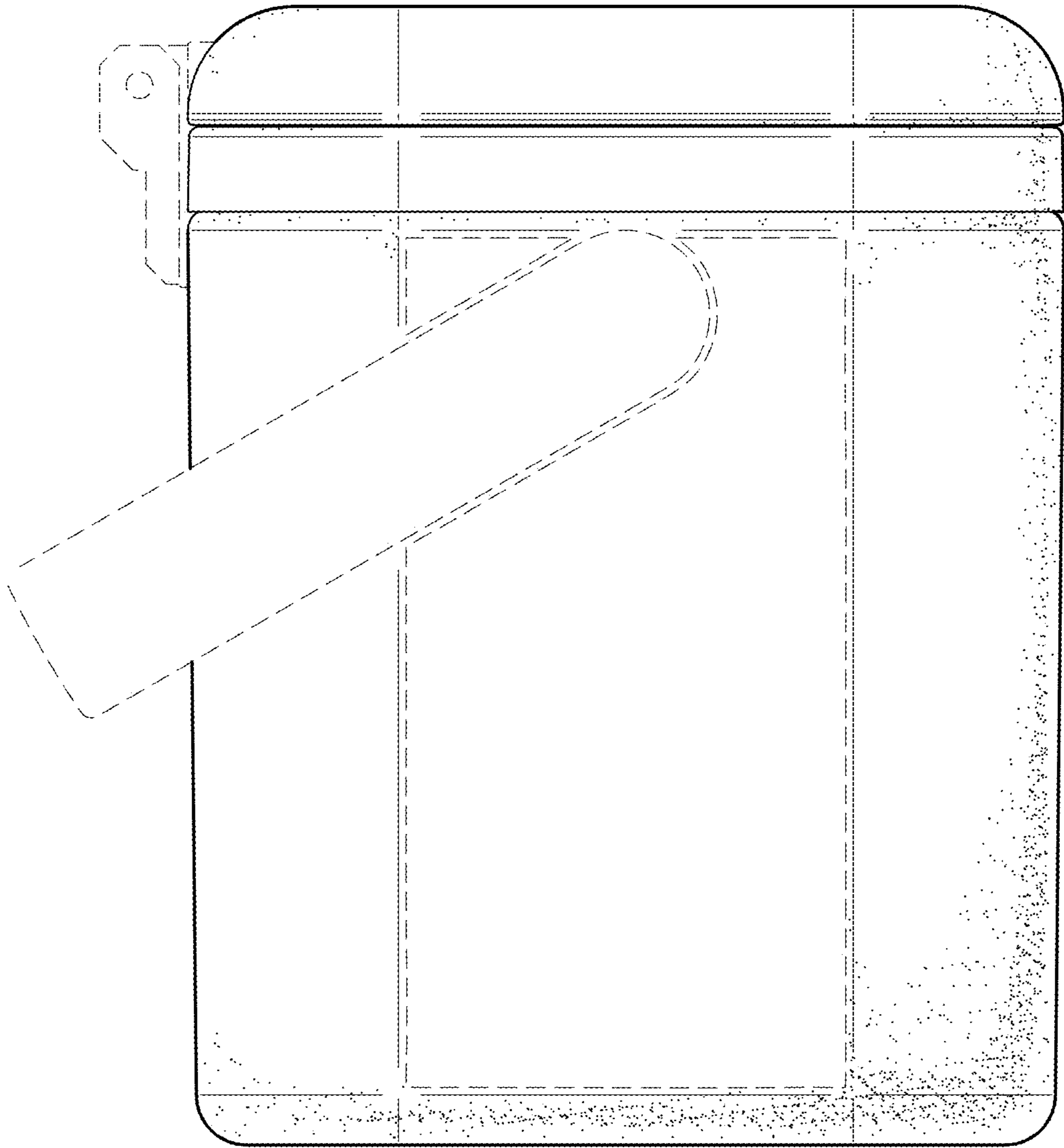


FIG. 5

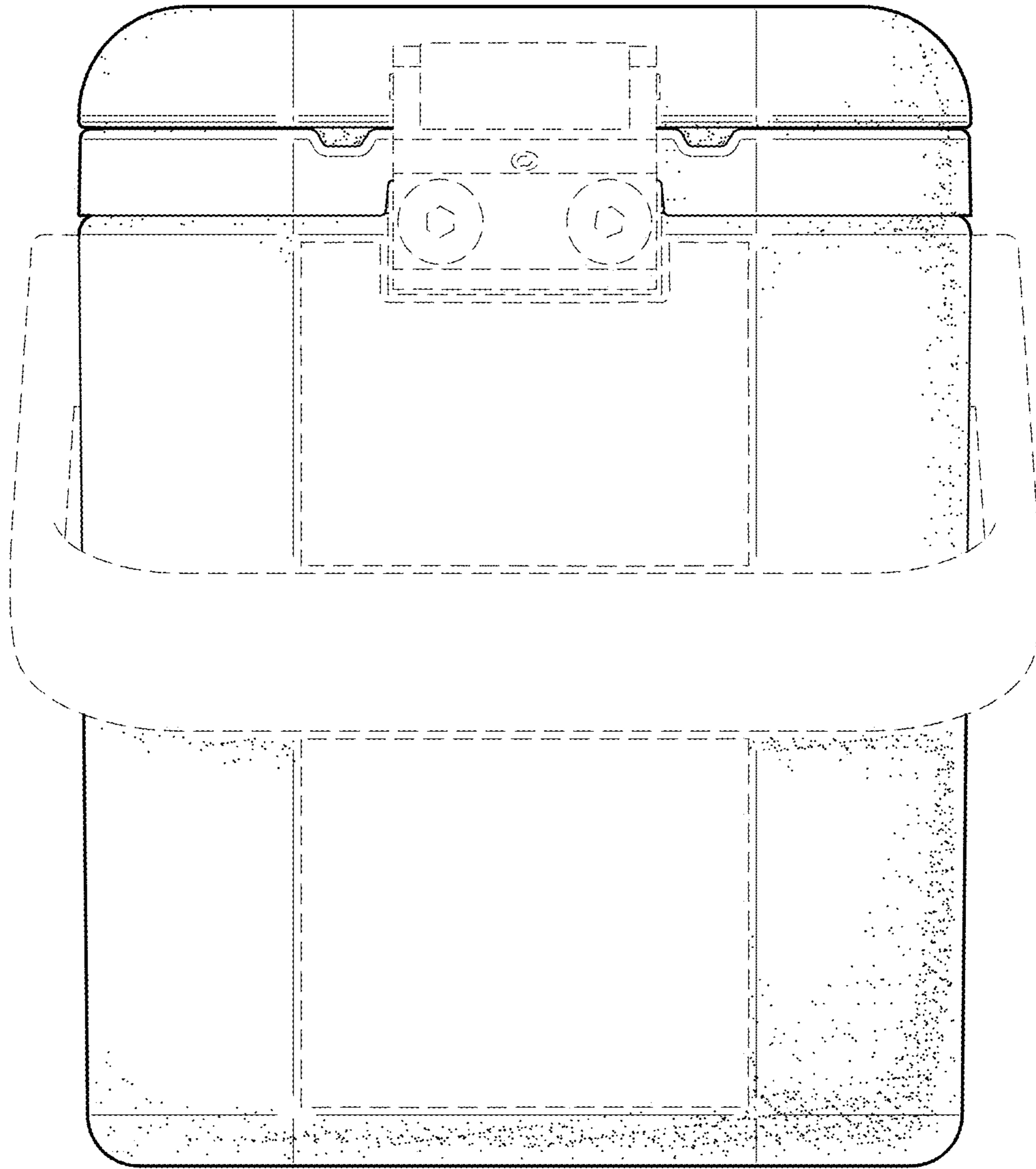


FIG. 6

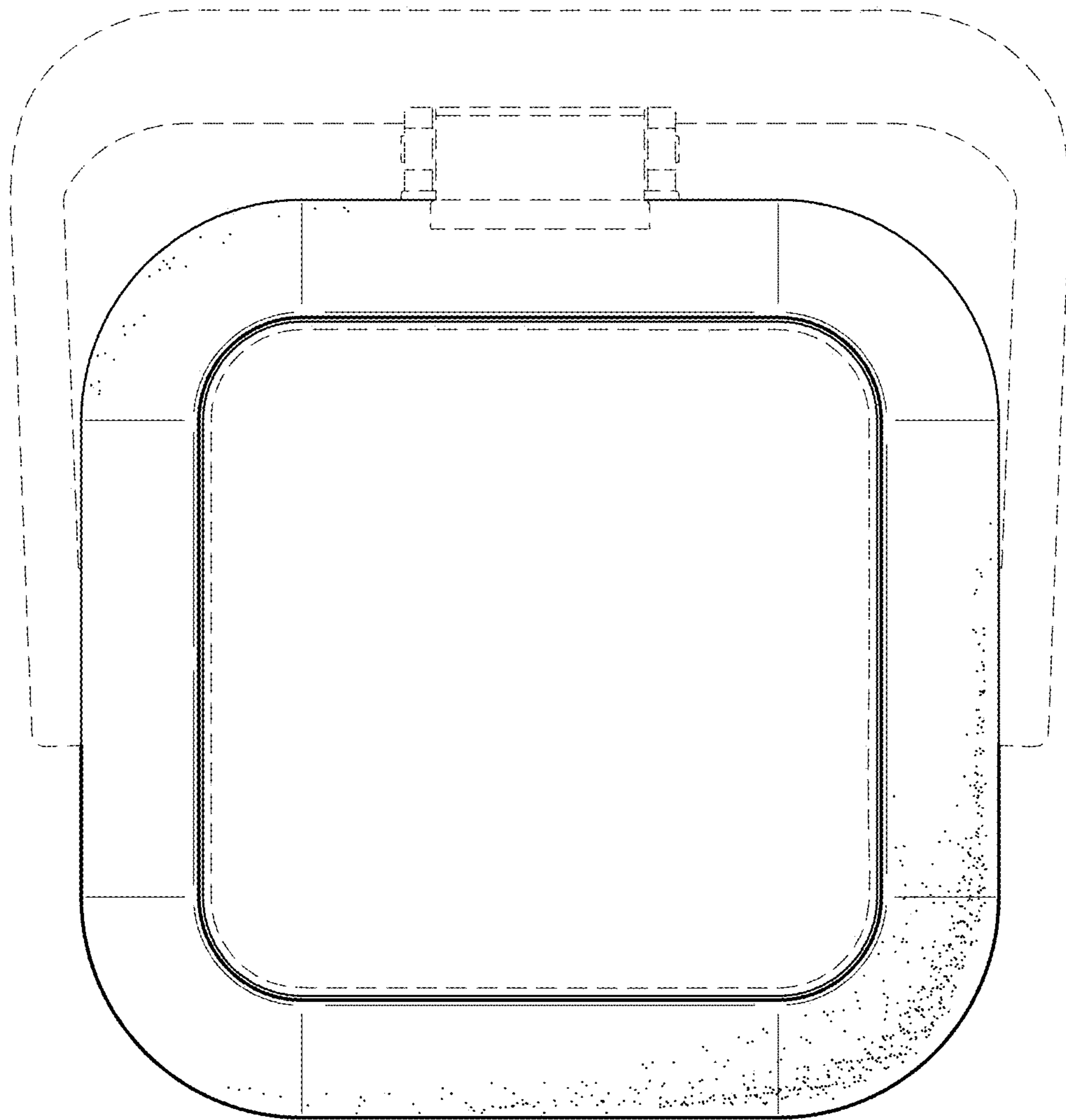


FIG. 7

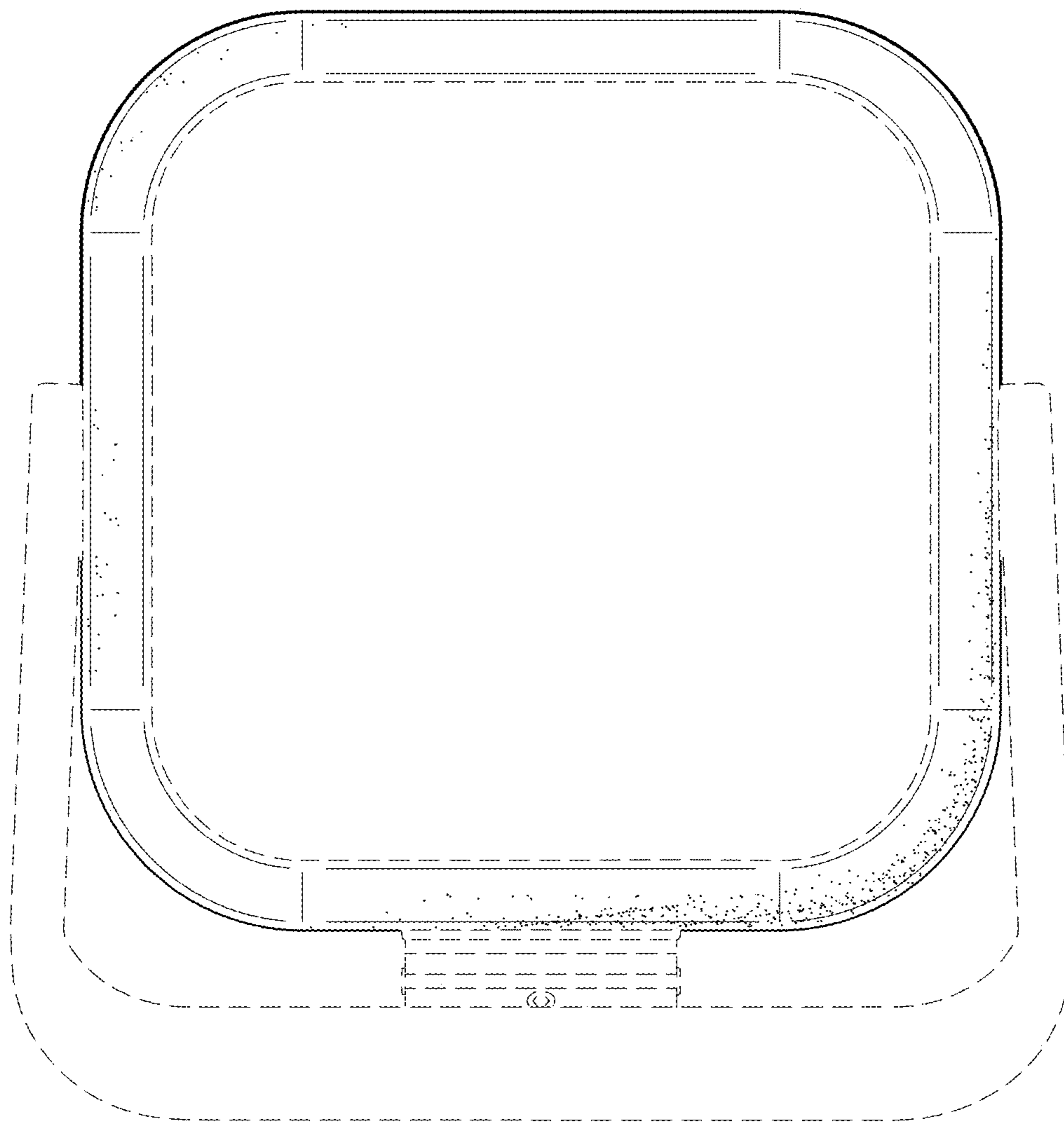


FIG. 8