

US00D963193S

(12) **United States Design Patent** (10) **Patent No.:** **US D963,193 S**
Kashkin et al. (45) **Date of Patent:** **** Sep. 6, 2022**

(54) **ANALYTICAL TEST CARTRIDGE**

(56) **References Cited**

(71) Applicant: **Fabrico Technology, Inc.**, Georgetown, TX (US)

U.S. PATENT DOCUMENTS

(72) Inventors: **Alex Kashkin**, Austin, TX (US);
Joseph Oleniczak, Austin, TX (US);
Robert Chin, Austin, TX (US)

D626,870 S *	11/2010	Spargo	D10/96
D672,882 S *	12/2012	Wiltsie	D24/224
D698,089 S *	1/2014	Smith	D28/76
D778,459 S *	2/2017	Tajima	D24/224
D814,652 S *	4/2018	Buxton	D24/224
D877,354 S *	3/2020	Schaff	D24/224
D912,269 S *	3/2021	Marran	D24/224
D912,270 S *	3/2021	Liotta	D24/224
D913,521 S *	3/2021	Hong	D24/224
D914,192 S *	3/2021	Lundh	D24/107

(73) Assignee: **FABRICO TECHNOLOGY, INC.**, Austin, TX (US)

(**) Term: **15 Years**

* cited by examiner

(21) Appl. No.: **29/712,188**

Primary Examiner — Omeed Agilee

(22) Filed: **Nov. 6, 2019**

(57) **CLAIM**

(51) **LOC (13) Cl.** **24-02**

The ornamental design for an analytical test cartridge, as shown and described.

(52) **U.S. Cl.**
USPC **D24/224**

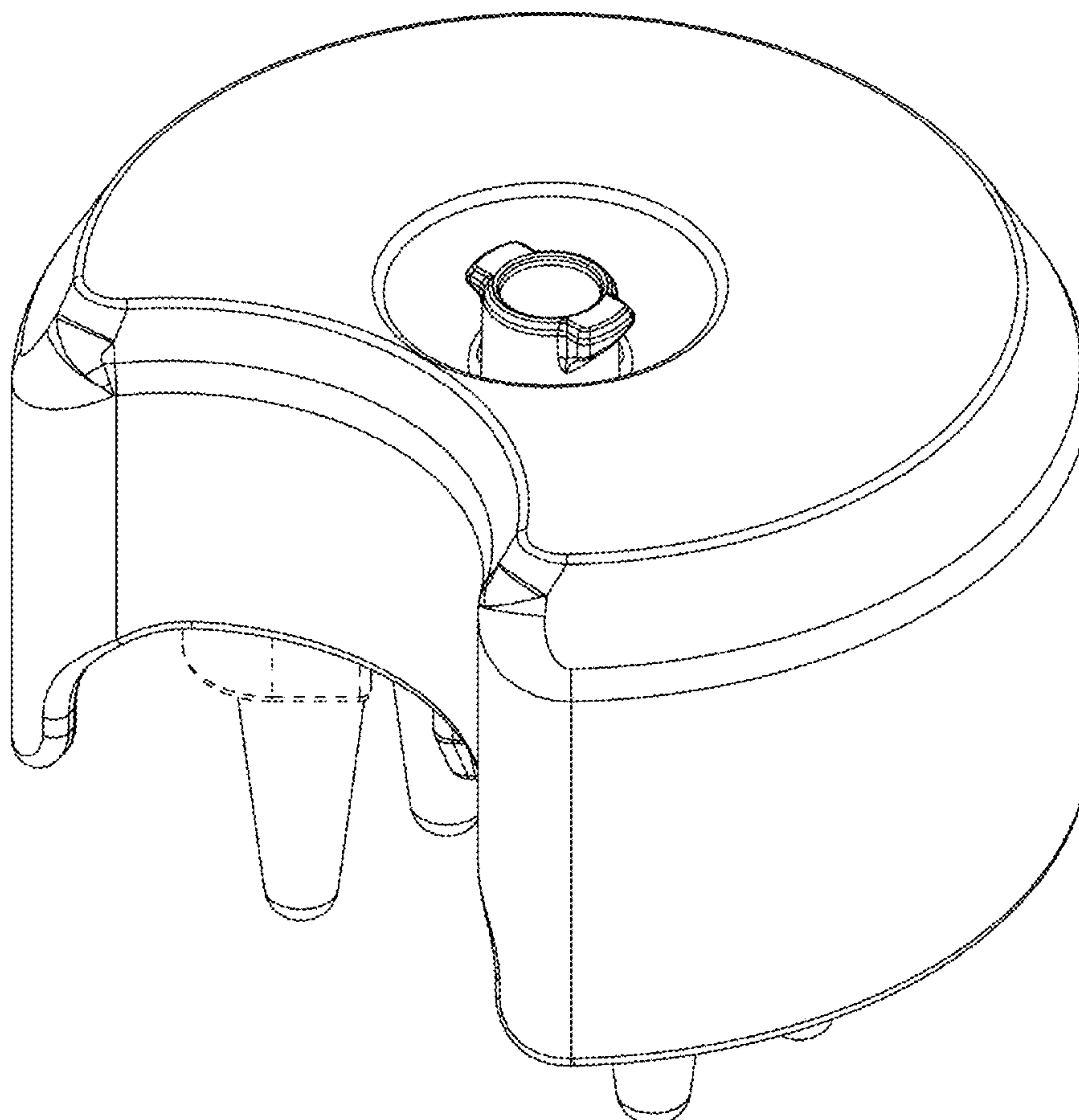
DESCRIPTION

(58) **Field of Classification Search**
USPC D24/107, 186, 216, 223–233; D10/81
CPC B01L 3/5027; B01L 3/502707; B01L 9/52;
B01L 9/523; B01L 9/527; B01L
2300/0609; B01L 2300/0809; B01L
2300/0877; B01L 2200/027

FIG. 1 is a perspective view of an analytical test cartridge.
FIG. 2 is top view thereof.
FIG. 3 is a side view thereof; and,
FIG. 4 is a bottom view thereof.
The broken lines depict portions of the analytical test cartridge that form no part of the claimed design.

See application file for complete search history.

1 Claim, 4 Drawing Sheets



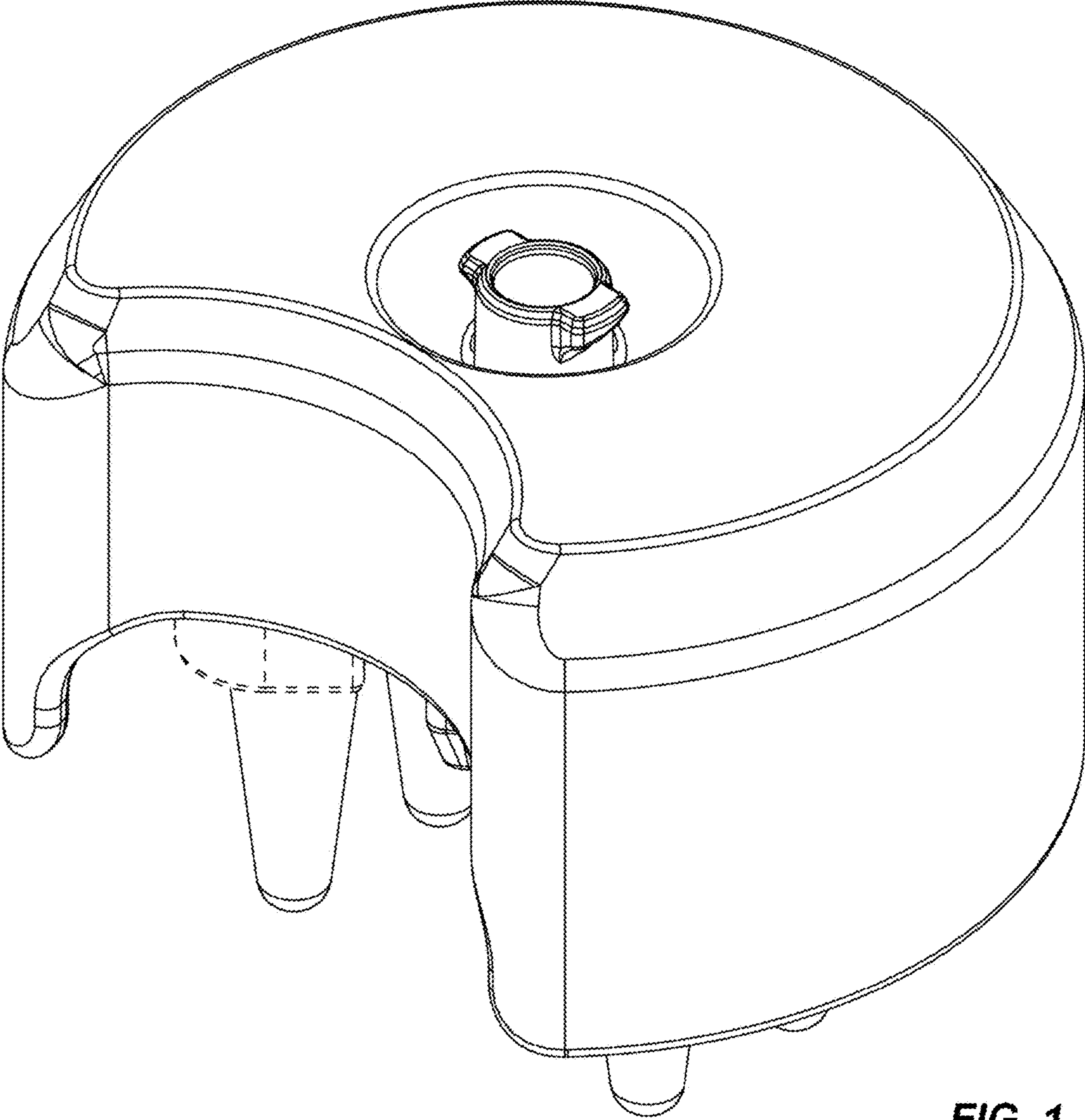


FIG. 1

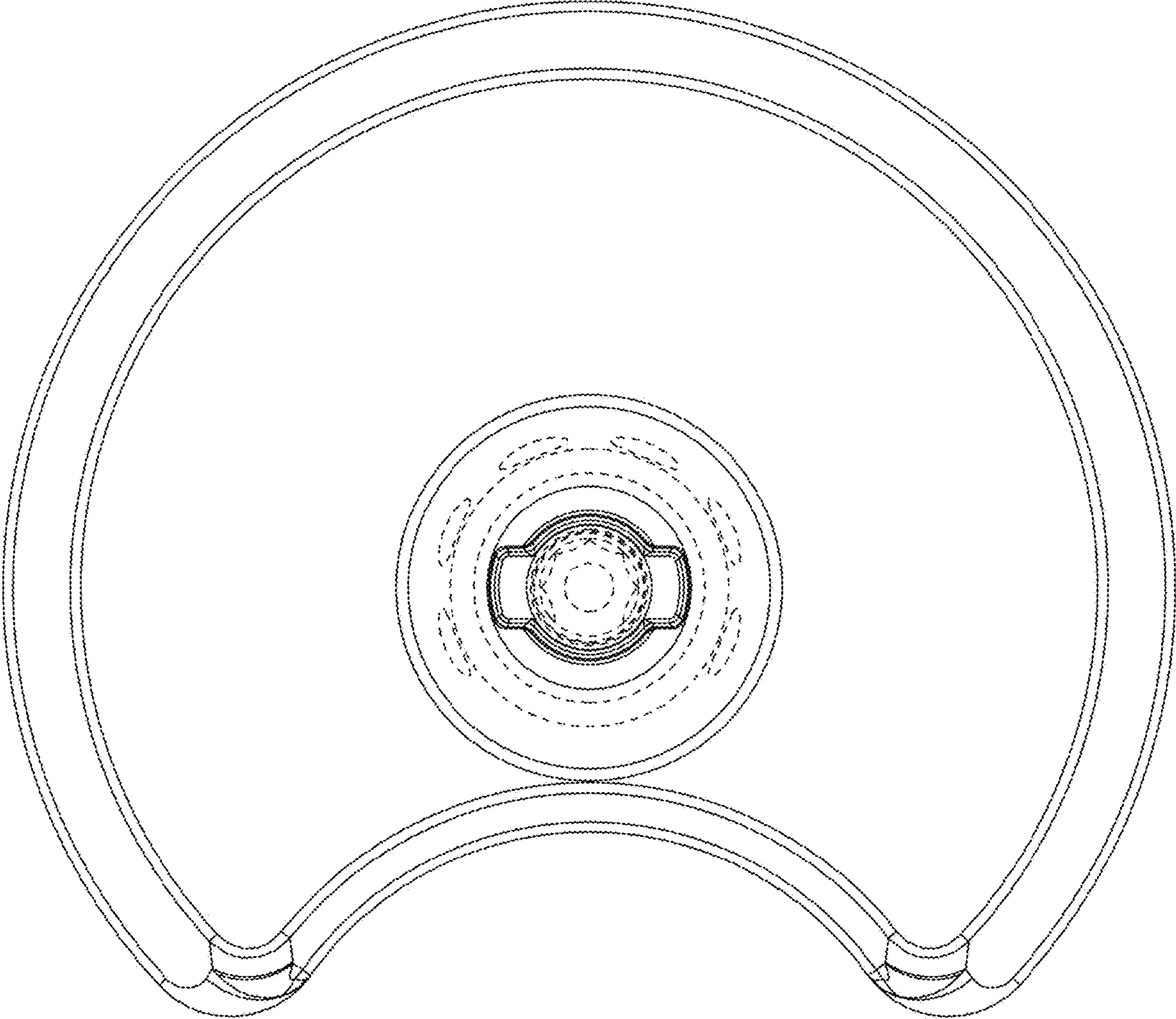


FIG. 2

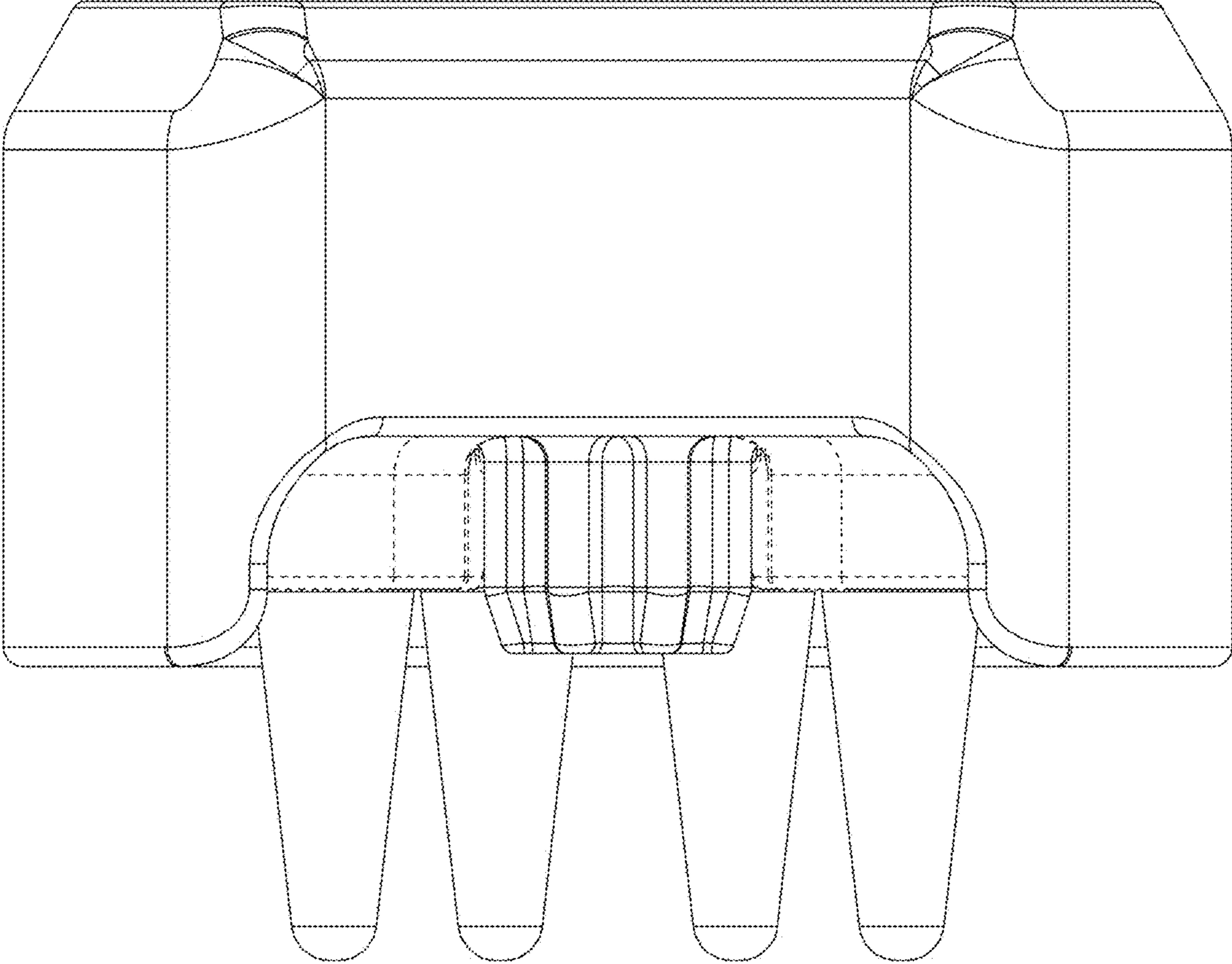


FIG. 3

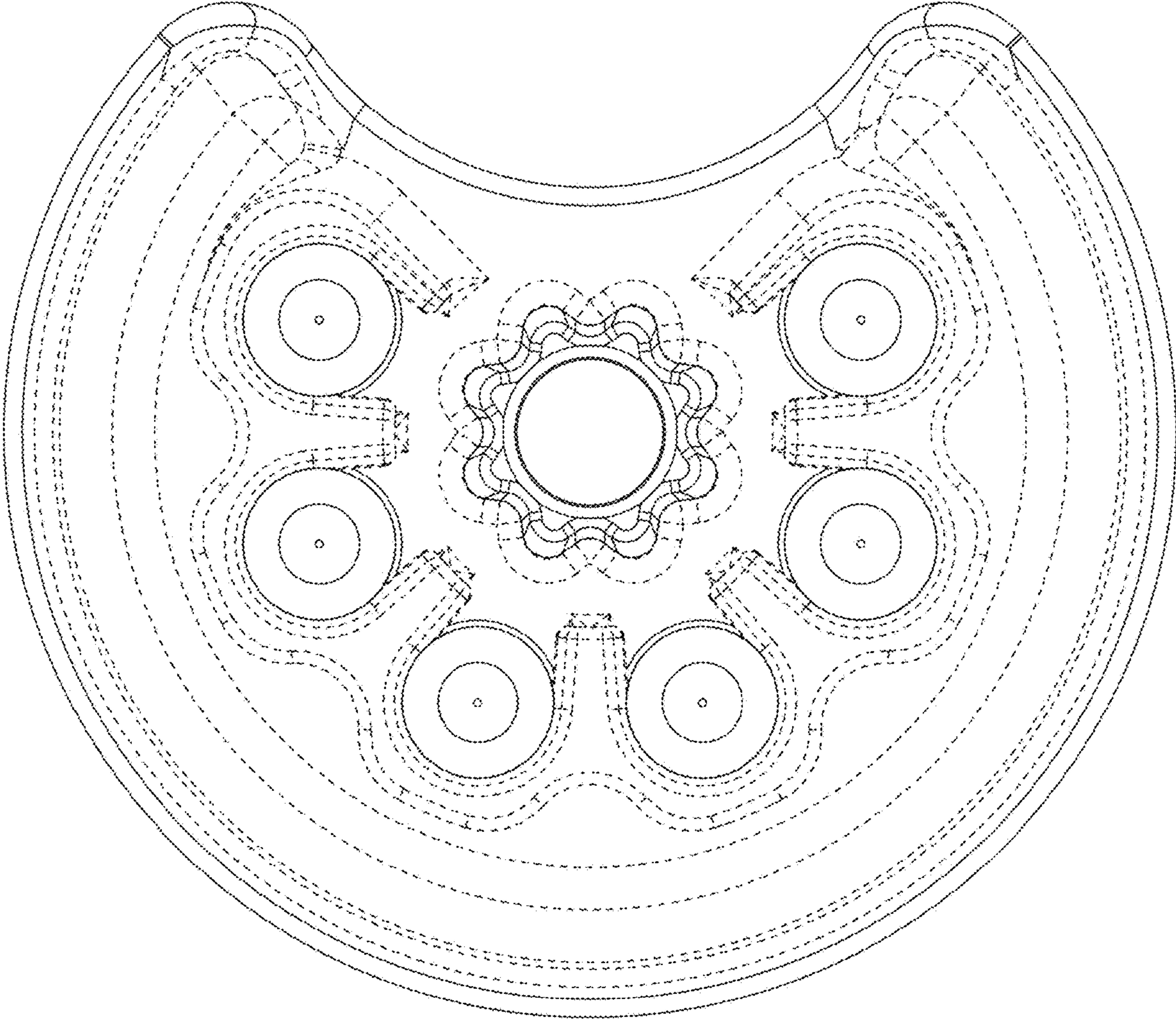


FIG. 4