



US00D963192S

(12) **United States Design Patent**  
**Ou Yang**

(10) **Patent No.:** **US D963,192 S**  
(45) **Date of Patent:** **\*\* Sep. 6, 2022**

(54) **PORTABLE ULTRAVIOLET SANITIZER**  
(71) Applicant: **SHENZHEN UVLED OPTICAL TECHNOLOGY CO., LTD.**, Shenzhen (CN)  
(72) Inventor: **Chen Yi Ou Yang**, Ningyuan County, Hunan Province (CN)  
(73) Assignee: **SHENZHEN UVLED OPTICAL TECHNOLOGY CO., LTD.**, Shenzhen (CN)

D653,744 S \* 2/2012 Li ..... D23/366  
D842,546 S \* 3/2019 Ouyang ..... D28/58  
D847,365 S \* 4/2019 Vellutato, Jr. .... G01N 33/497  
D24/216  
D898,218 S \* 10/2020 Hickey ..... D24/217  
D916,312 S \* 4/2021 Zeder ..... D24/217  
2010/0110685 A1\* 5/2010 Pei ..... F21V 23/02  
362/249.02  
2011/0183371 A1\* 7/2011 Noda ..... C12Q 1/008  
435/39  
2019/0167827 A1\* 6/2019 Gaska ..... A61L 2/24  
2021/0030140 A1\* 2/2021 Chico ..... A45C 11/008

(\*\*) Term: **15 Years**

(21) Appl. No.: **29/740,941**

(22) Filed: **Jul. 8, 2020**

(30) **Foreign Application Priority Data**

May 25, 2020 (CN) ..... 202030247734.6

(51) **LOC (13) Cl.** ..... **24-01**

(52) **U.S. Cl.**  
USPC ..... **D24/217**

(58) **Field of Classification Search**  
USPC ..... D24/209, 210, 216, 217, 218, 219,  
D24/231–232; D26/72–74; D32/1, 25;  
D23/366  
CPC ... A61L 2/26; A61L 2/10; A61L 2/025; A61L  
2202/11; A61L 2202/23; A61L 2202/122;  
A61L 2202/10  
See application file for complete search history.

(56) **References Cited**

**U.S. PATENT DOCUMENTS**

D365,882 S \* 1/1996 Allegre ..... D24/217  
D441,089 S \* 4/2001 Bhullar ..... D10/81  
D482,165 S \* 11/2003 Kay ..... D32/1  
D510,141 S \* 9/2005 Percival ..... D10/78  
D601,444 S \* 10/2009 Jones ..... D10/103

**FOREIGN PATENT DOCUMENTS**

CN 306286343 \* 1/2021

\* cited by examiner

*Primary Examiner* — Mary Shannon Malley  
(74) *Attorney, Agent, or Firm* — Li & Cai Intellectual Property (USA) Office

(57) **CLAIM**

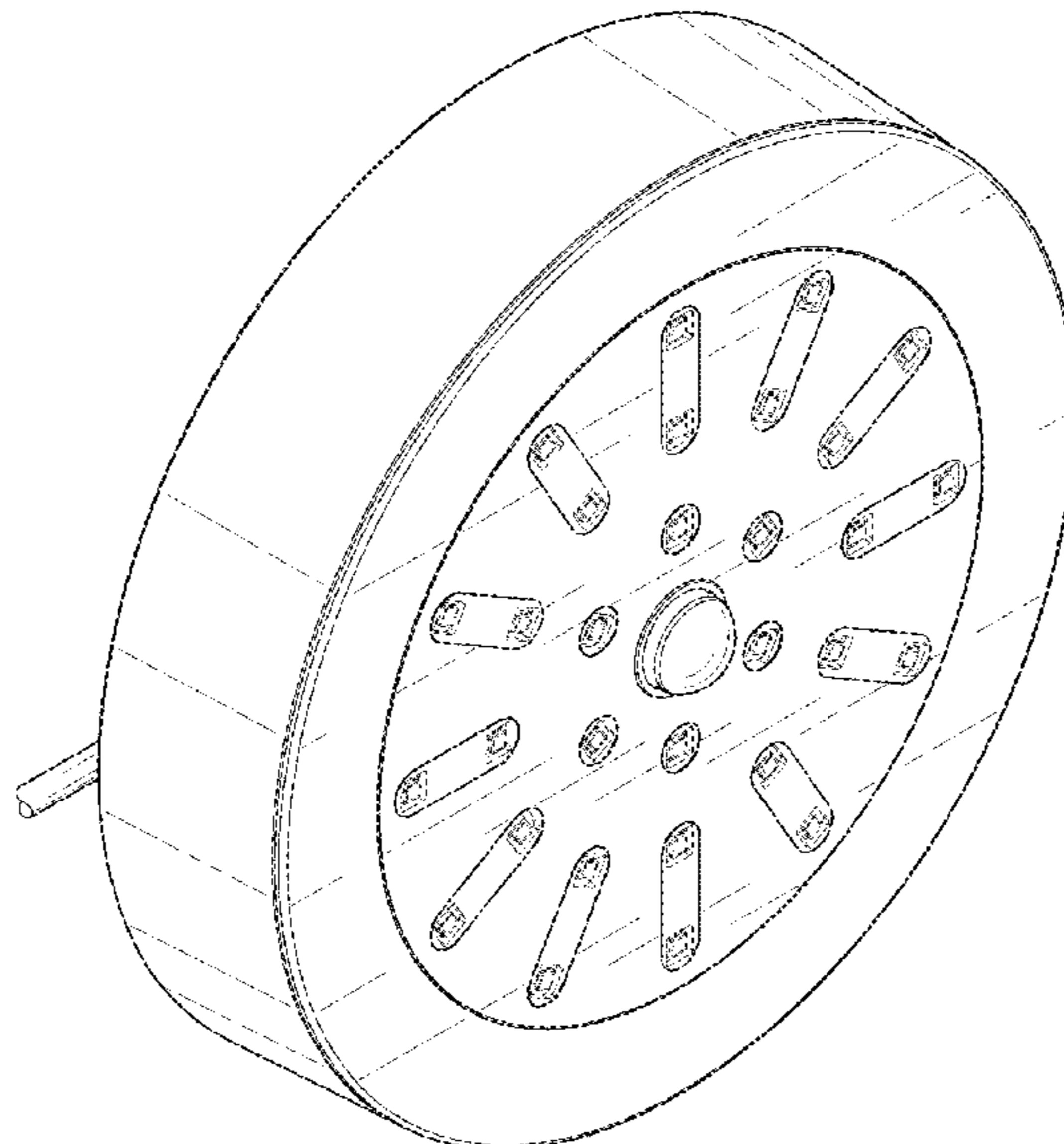
The ornamental design for a portable ultraviolet sanitizer, as shown and described.

**DESCRIPTION**

FIG. 1 is a front, left side and top perspective view of a portable ultraviolet sanitizer showing my new design; FIG. 2 is a front elevational view thereof; FIG. 3 is a rear elevational view thereof; FIG. 4 is a left side elevational view thereof; FIG. 5 is a right side elevational view thereof; FIG. 6 is a top plan view thereof; FIG. 7 is a bottom plan view thereof; and, FIG. 8 is a rear, left side and bottom perspective view thereof.

The broken lines in the drawing depict portions of the portable ultraviolet sanitizer that form no part of the claimed design.

**1 Claim, 8 Drawing Sheets**



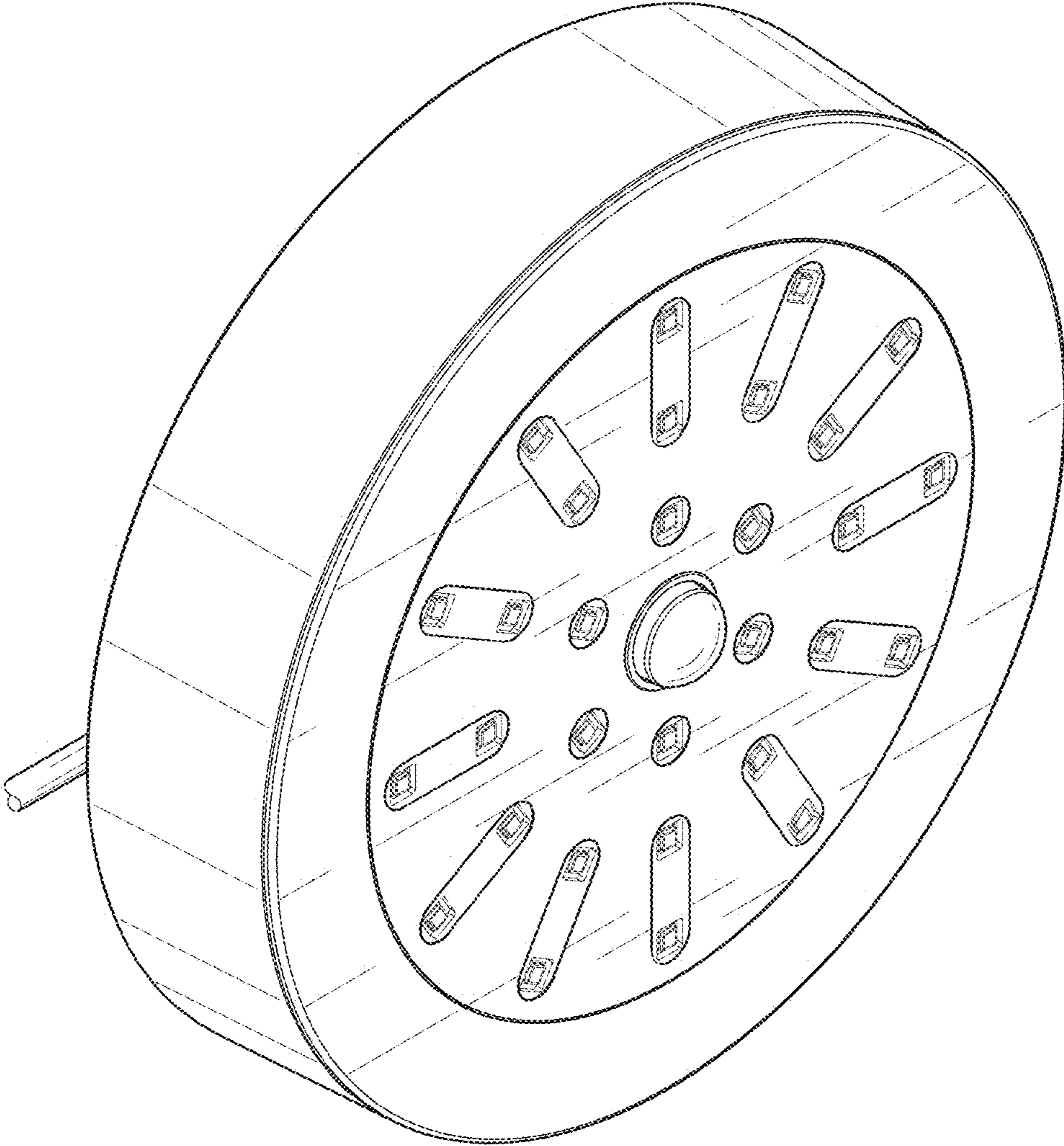


FIG. 1

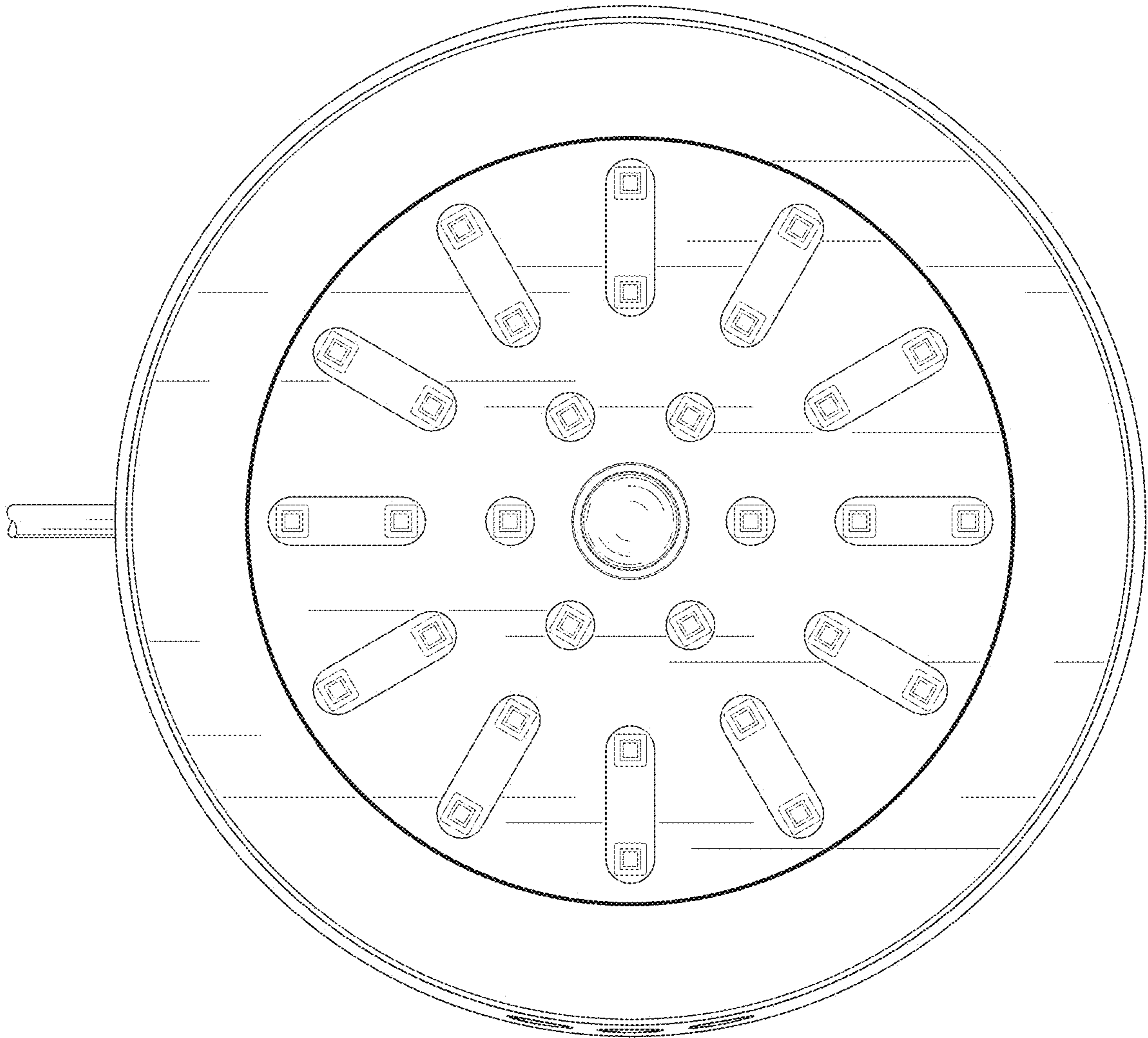


FIG. 2

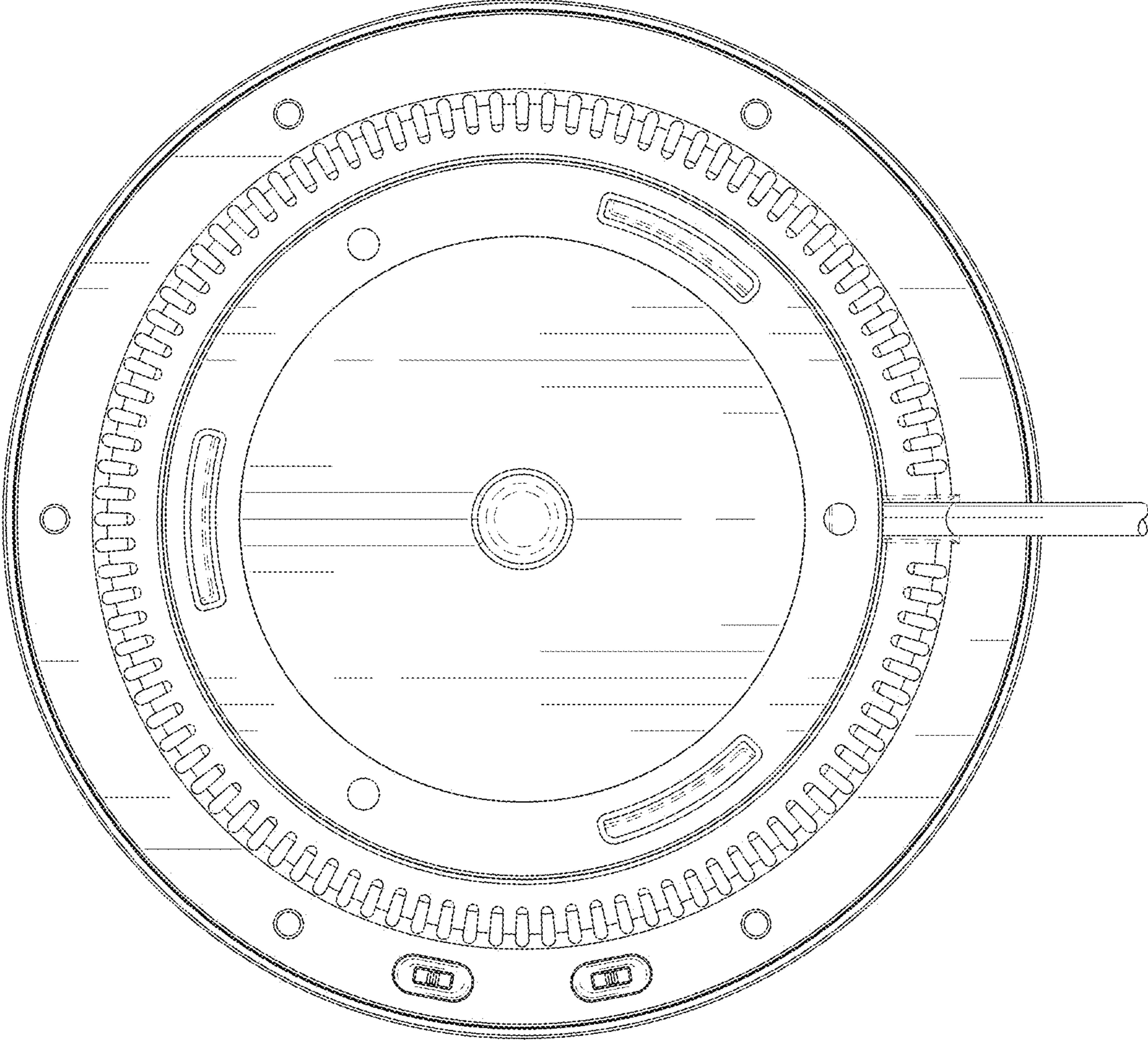


FIG. 3

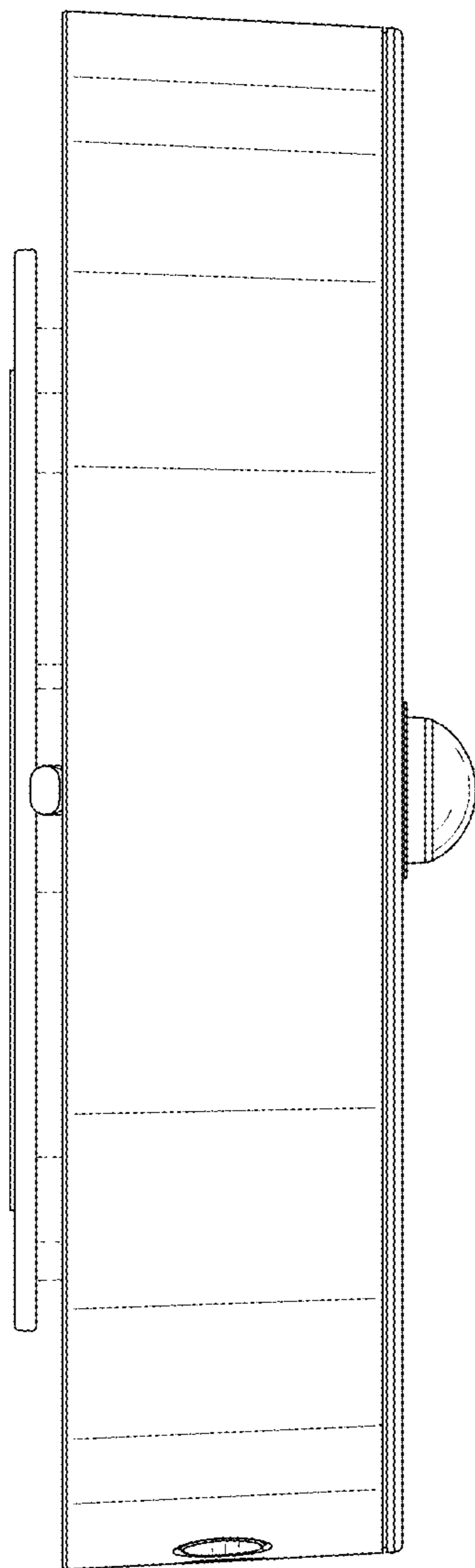


FIG. 4

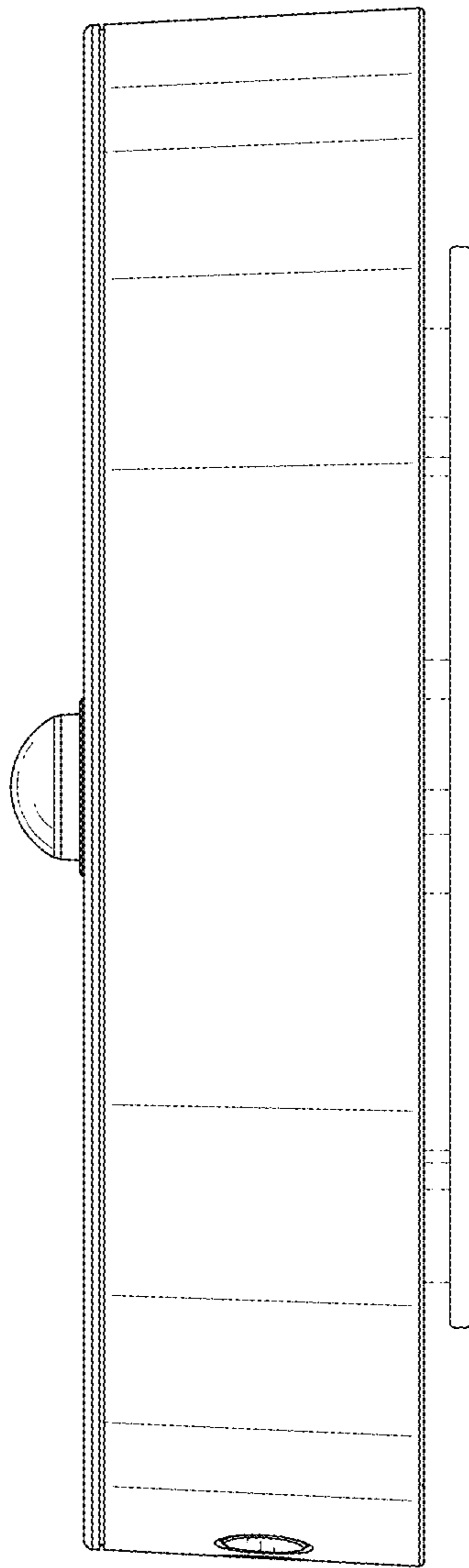


FIG. 5

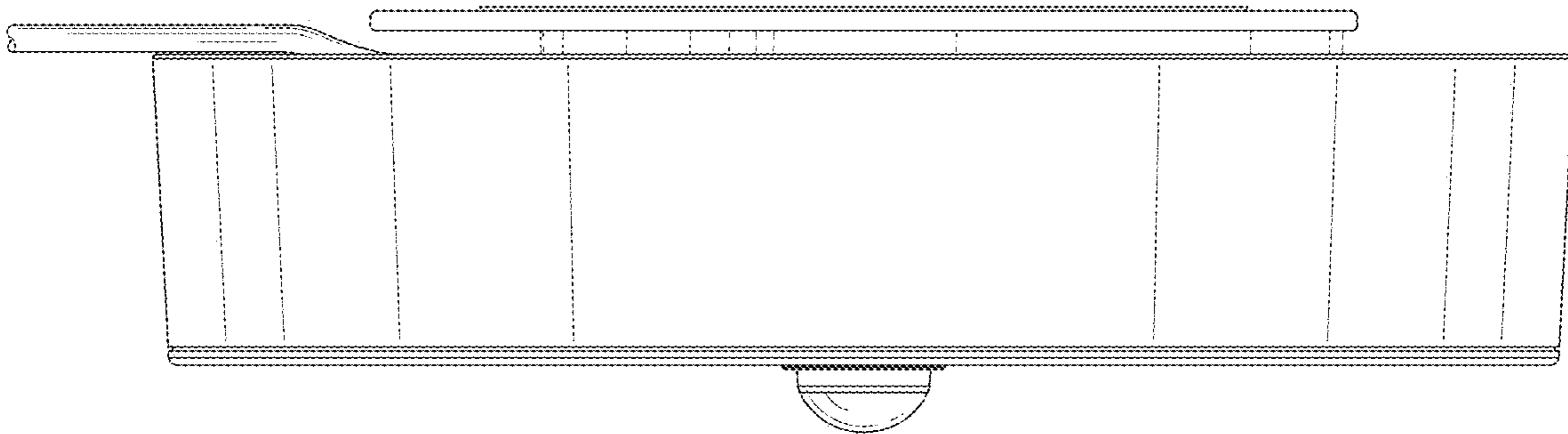


FIG. 6

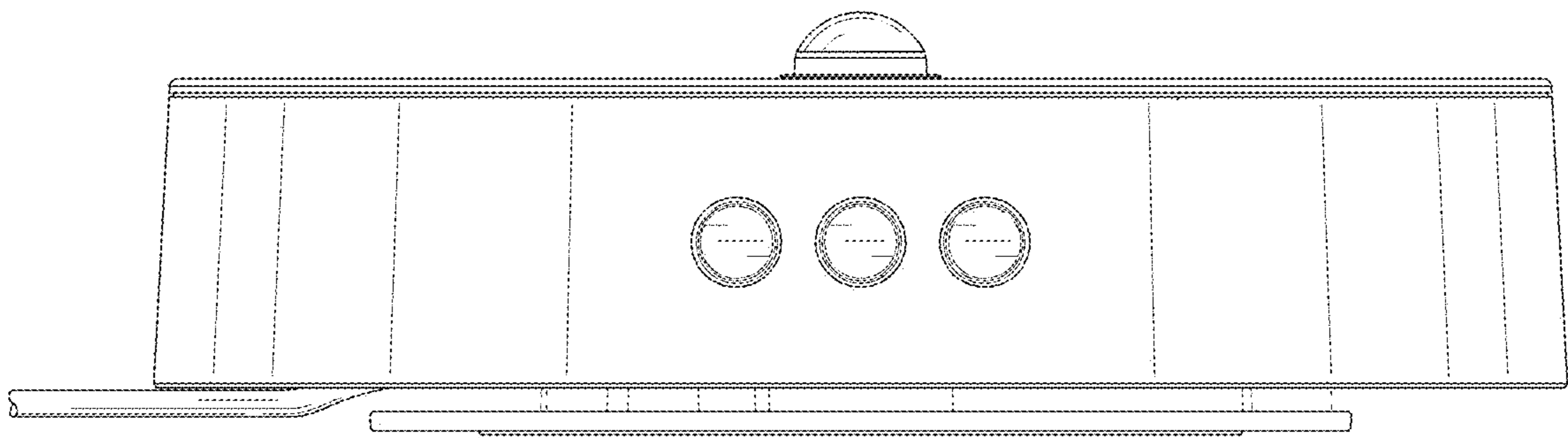


FIG. 7



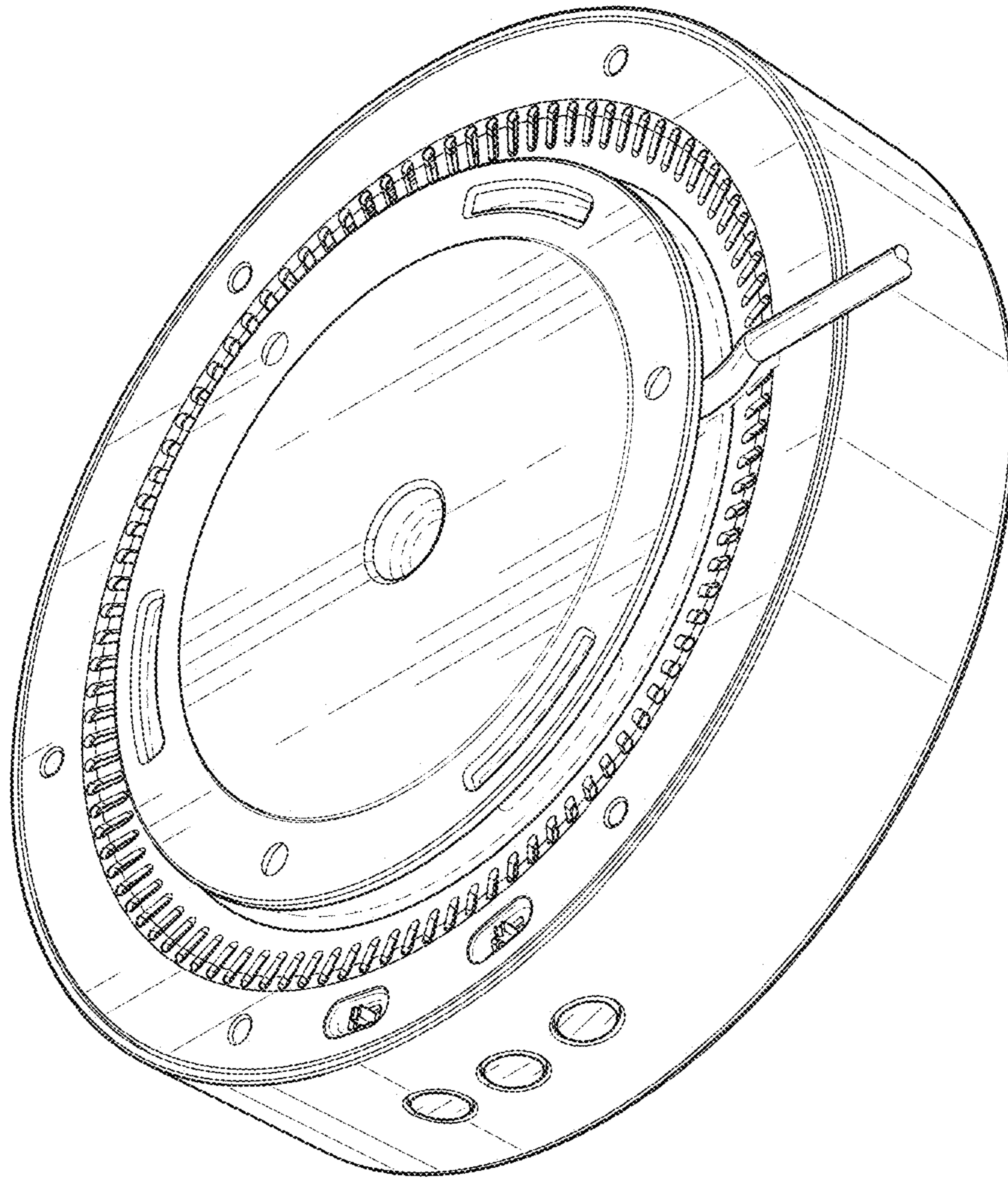


FIG. 8