



US00D963191S

(12) **United States Design Patent** (10) **Patent No.:** **US D963,191 S**
Birdsall et al. (45) **Date of Patent:** **** Sep. 6, 2022**

(54) **SUSPENSION CULTURE DEVICE**
(71) Applicant: **Cell Spinpod LLC**, Chapel Hill, NC (US)
(72) Inventors: **Holly H. Birdsall**, Chapel Hill, NC (US); **Timothy G. Hammond**, Chapel Hill, NC (US)
(73) Assignee: **Cell Spinpod LLC**, Chapel Hill, NC (US)

D692,160 S * 10/2013 Judson D24/216
D698,940 S * 2/2014 Pribenszky D24/224
D717,463 S * 11/2014 Wainwright D24/216
D717,464 S * 11/2014 Wainwright D24/162
D781,437 S * 3/2017 Valley D24/227
D802,157 S * 11/2017 Kasuto D24/224
D925,058 S * 7/2021 Robinson D24/216
D927,015 S * 8/2021 Thomas D24/224
2018/0362914 A1 12/2018 Millard
2022/0118439 A1* 4/2022 Morikoshi B01L 3/508

(**) Term: **15 Years**

(21) Appl. No.: **29/761,718**
(22) Filed: **Dec. 11, 2020**
(51) **LOC (13) Cl.** **24-01**
(52) **U.S. Cl.**
USPC **D24/216**
(58) **Field of Classification Search**
USPC D24/107, 121, 129, 130, 186, 216,
D24/223–227, 231, 232; D10/81
CPC C12N 5/0062; C12M 23/06; C12M 23/34;
C12M 23/42; C12M 23/44; C12M 23/56;
C12M 25/10; C12M 25/12; C12M 27/14;
C12M 27/20
See application file for complete search history.

FOREIGN PATENT DOCUMENTS

WO 2019/055448 A1 3/2019

OTHER PUBLICATIONS

PCT Search Report and Written Opinion for PCT International Application No. PCT/US18/50549 dated Dec. 11, 2018.
PCT Search Report and Written Opinion for PCT International Application No. PCT/US21/55490 dated Jan. 14, 2022.

* cited by examiner

Primary Examiner — Anhdao Doan
(74) *Attorney, Agent, or Firm* — Olive Law Group, PLLC

(57) **CLAIM**

We claim the ornamental design for a suspension culture device, as shown and described.

(56) **References Cited**

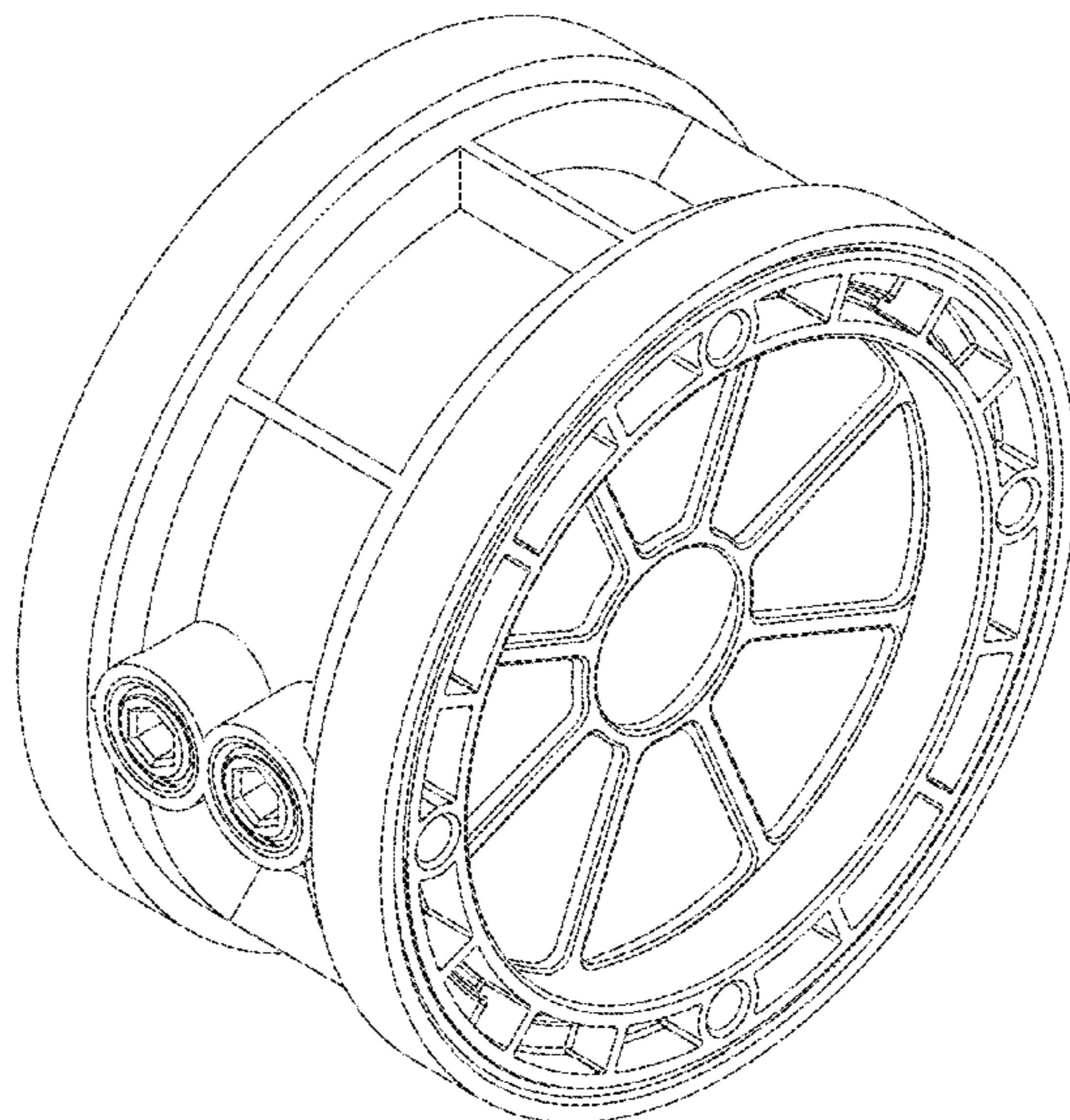
U.S. PATENT DOCUMENTS

4,293,643 A 10/1981 Ohtake et al.
4,988,623 A 1/1991 Schwarz et al.
5,080,232 A 1/1992 Leoncavallo et al.
5,270,207 A 12/1993 Matsumura et al.
5,330,908 A 7/1994 Spaulding
5,437,998 A 8/1995 Schawarz et al.
5,449,617 A 9/1995 Falkenberg et al.
5,501,971 A * 3/1996 Freedman C12M 23/34
435/399
D480,482 S * 10/2003 Savion D24/224
D659,254 S * 5/2012 Miyashita D24/216

DESCRIPTION

FIG. 1 is a perspective view of a suspension culture device according to the invention;
FIG. 2 is another perspective view thereof;
FIG. 3 is a top view thereof;
FIG. 4 is a bottom view thereof;
FIG. 5 is a side view thereof;
FIG. 6 is another side view thereof;
FIG. 7 is another side view thereof; and,
FIG. 8 is another side view thereof.

1 Claim, 5 Drawing Sheets



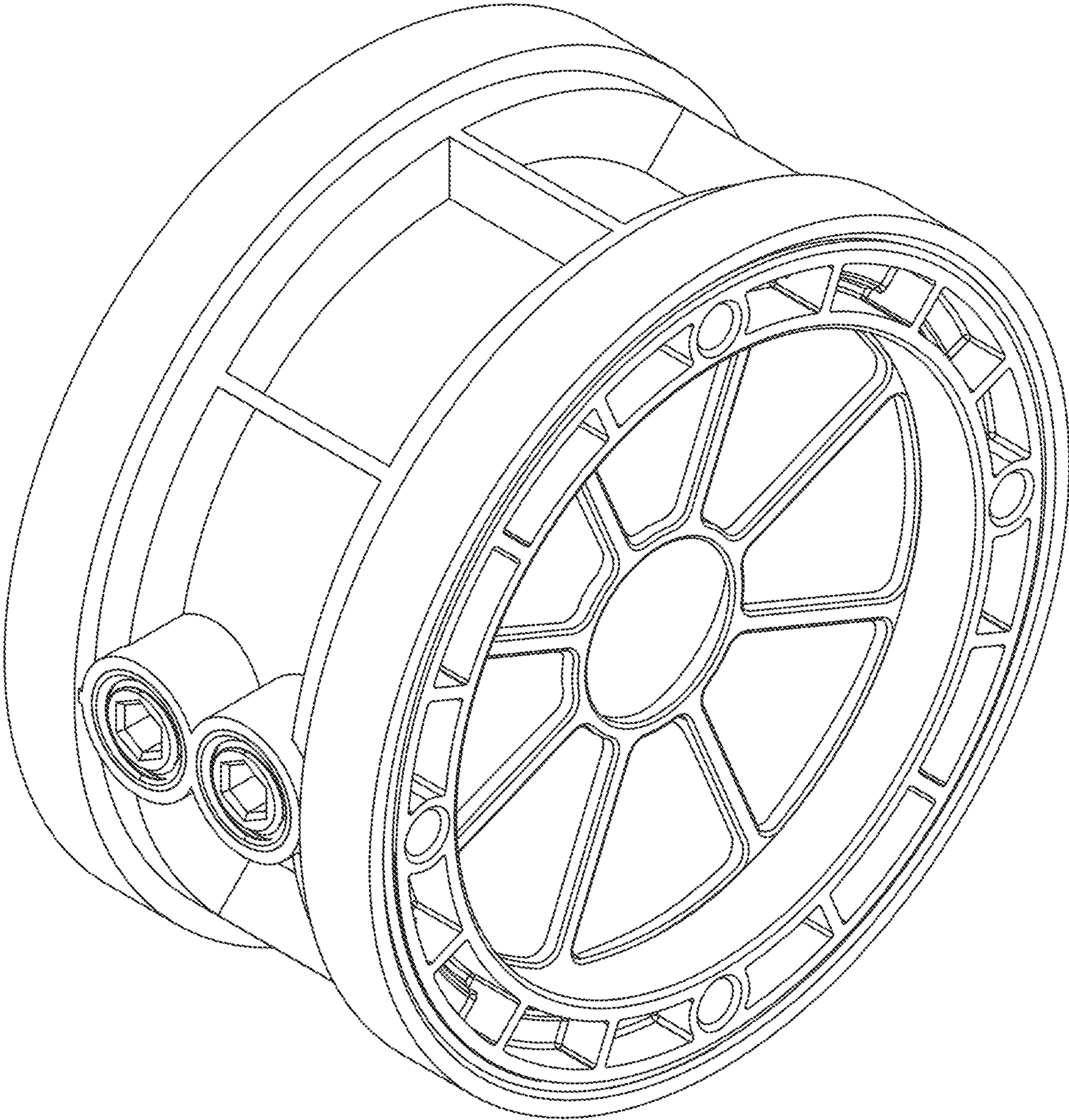


FIG. 1

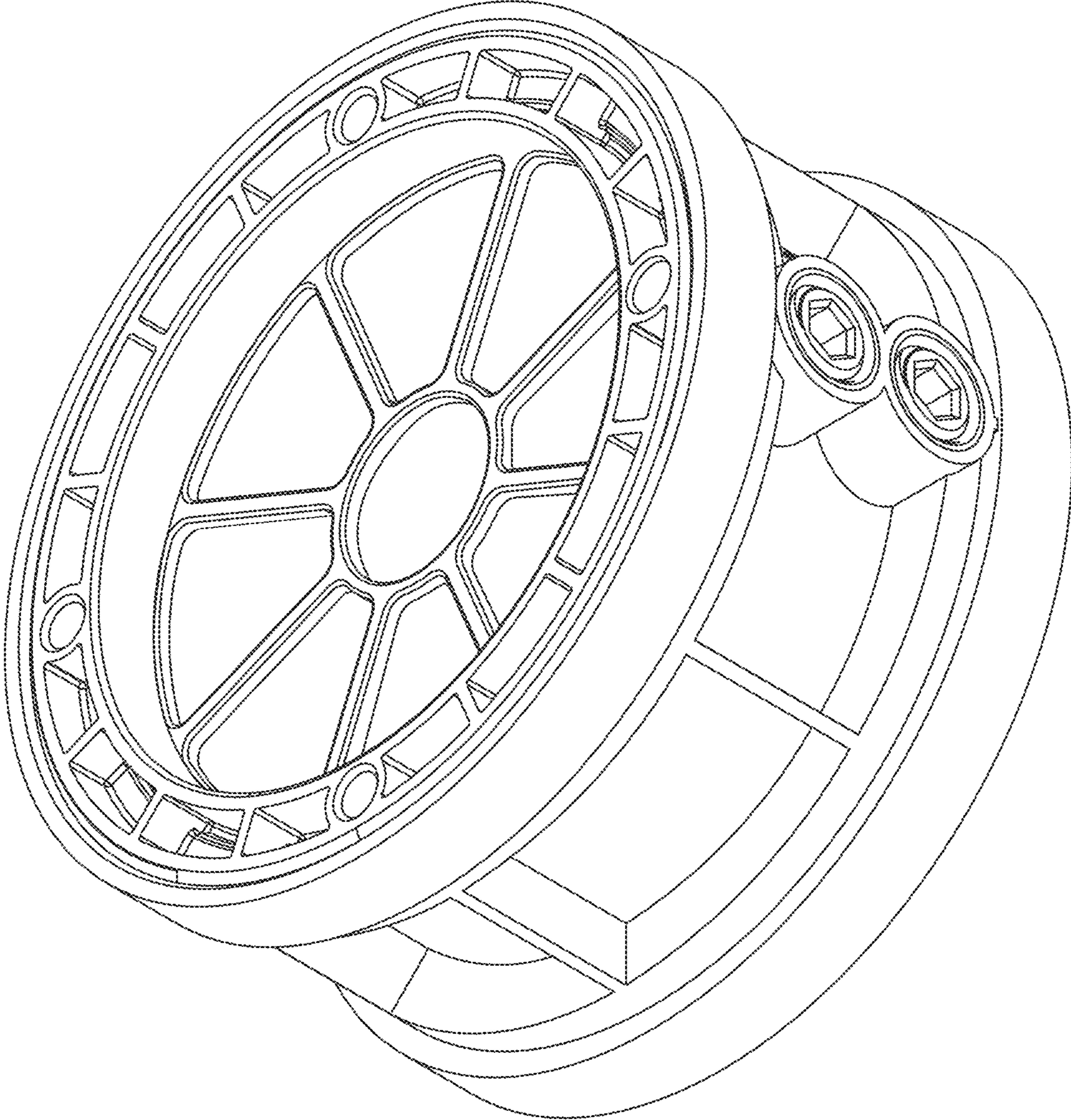


FIG. 2

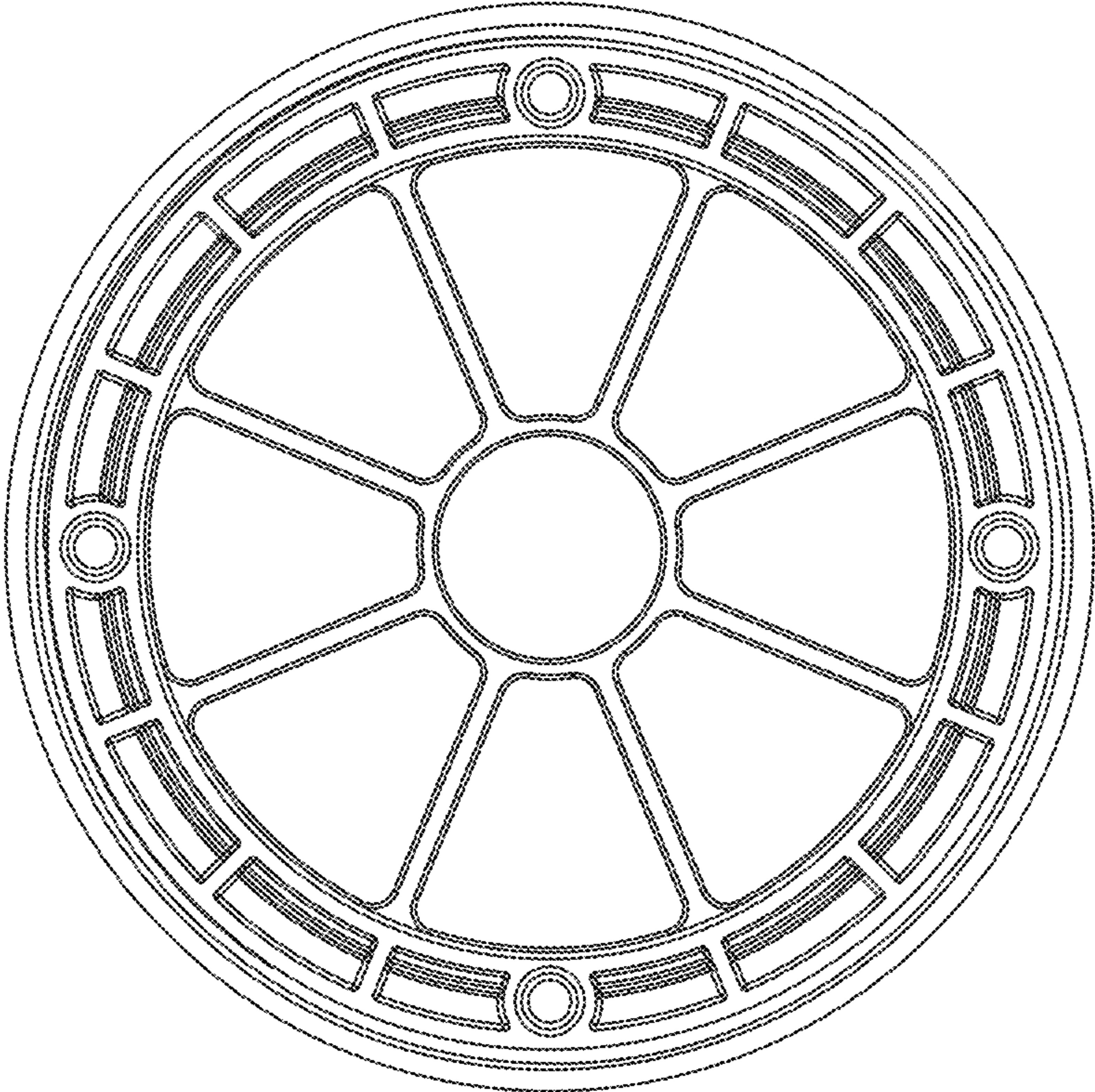


FIG. 3

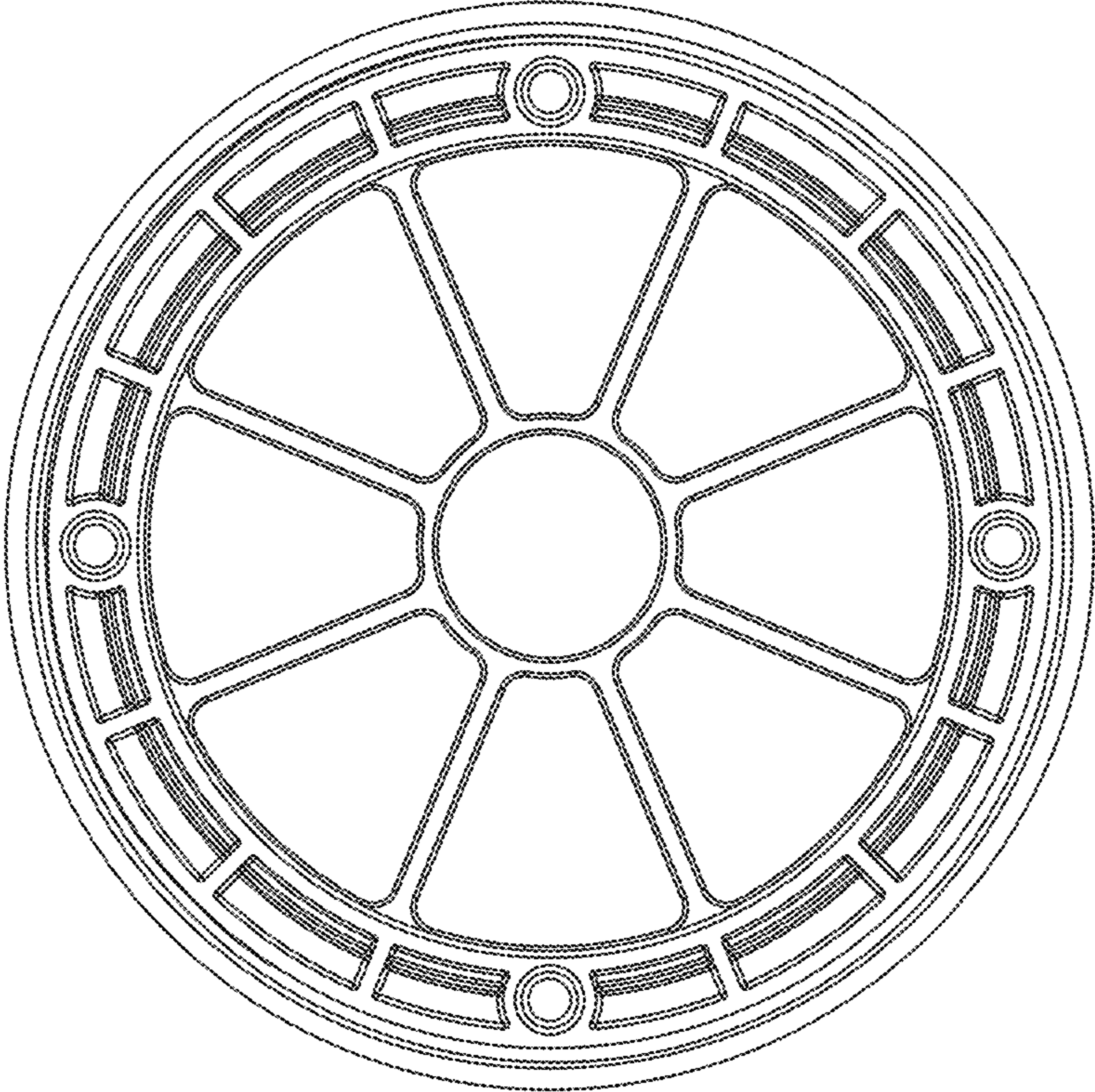


FIG. 4

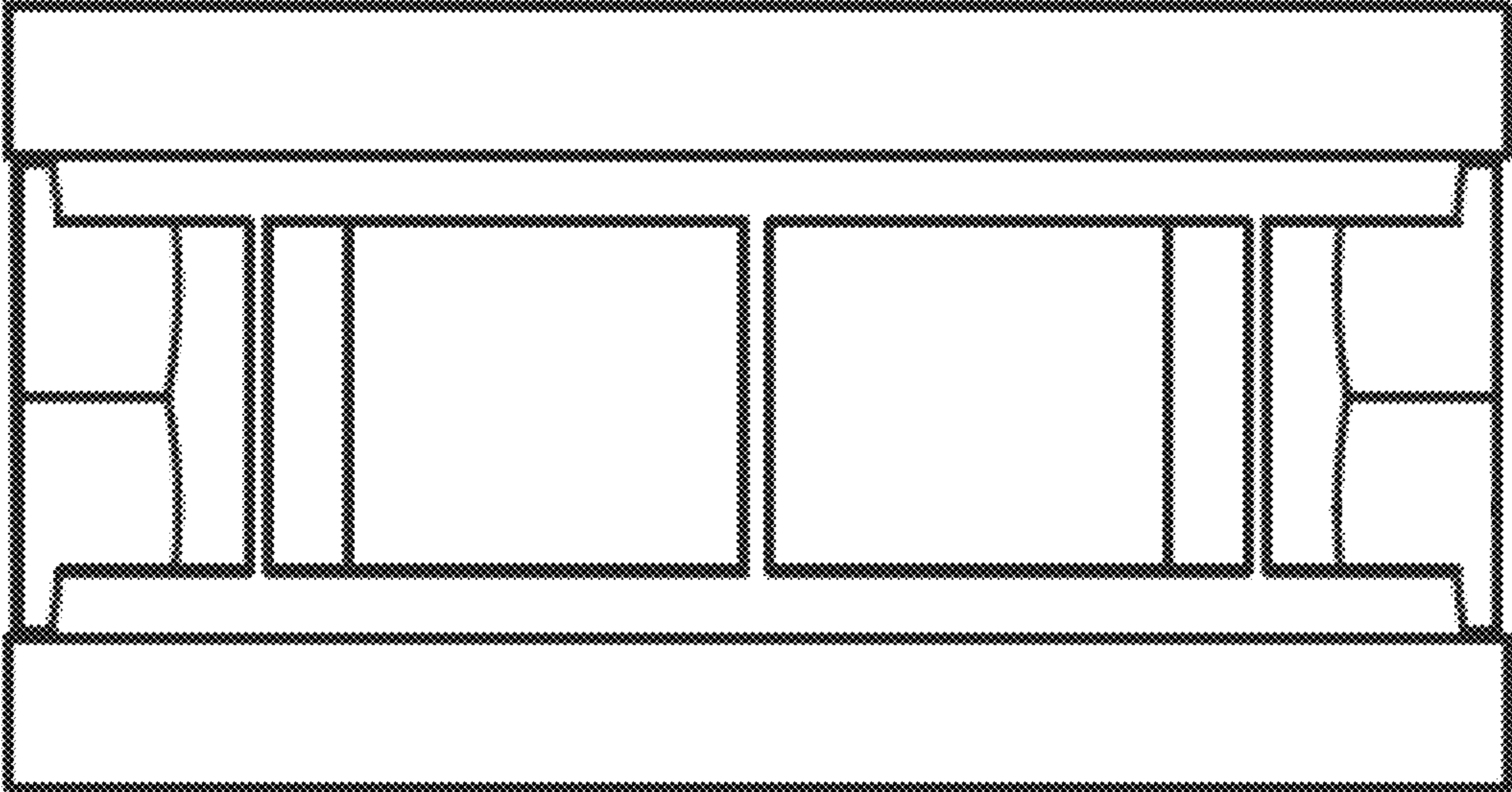


FIG. 5

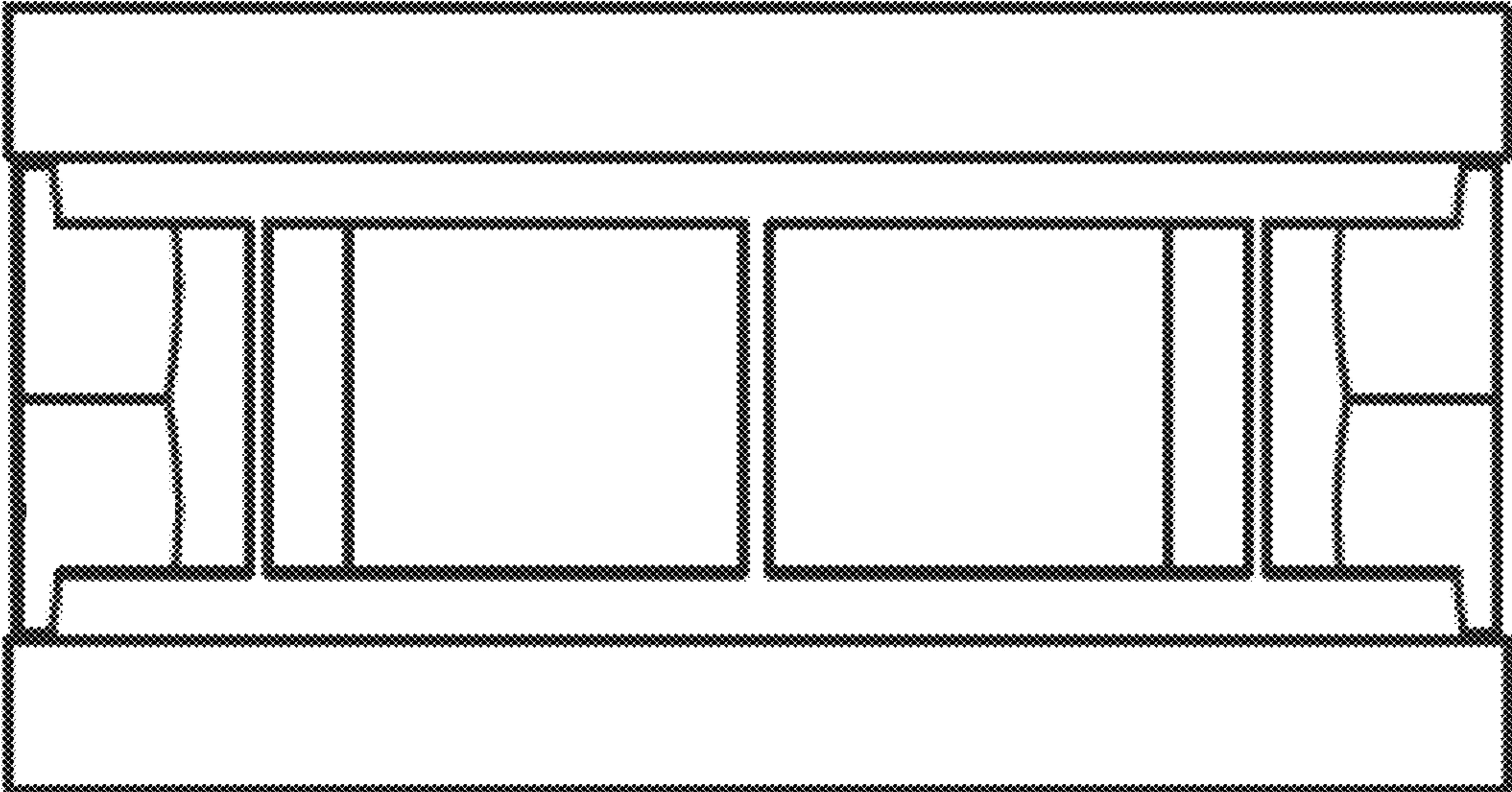


FIG. 6

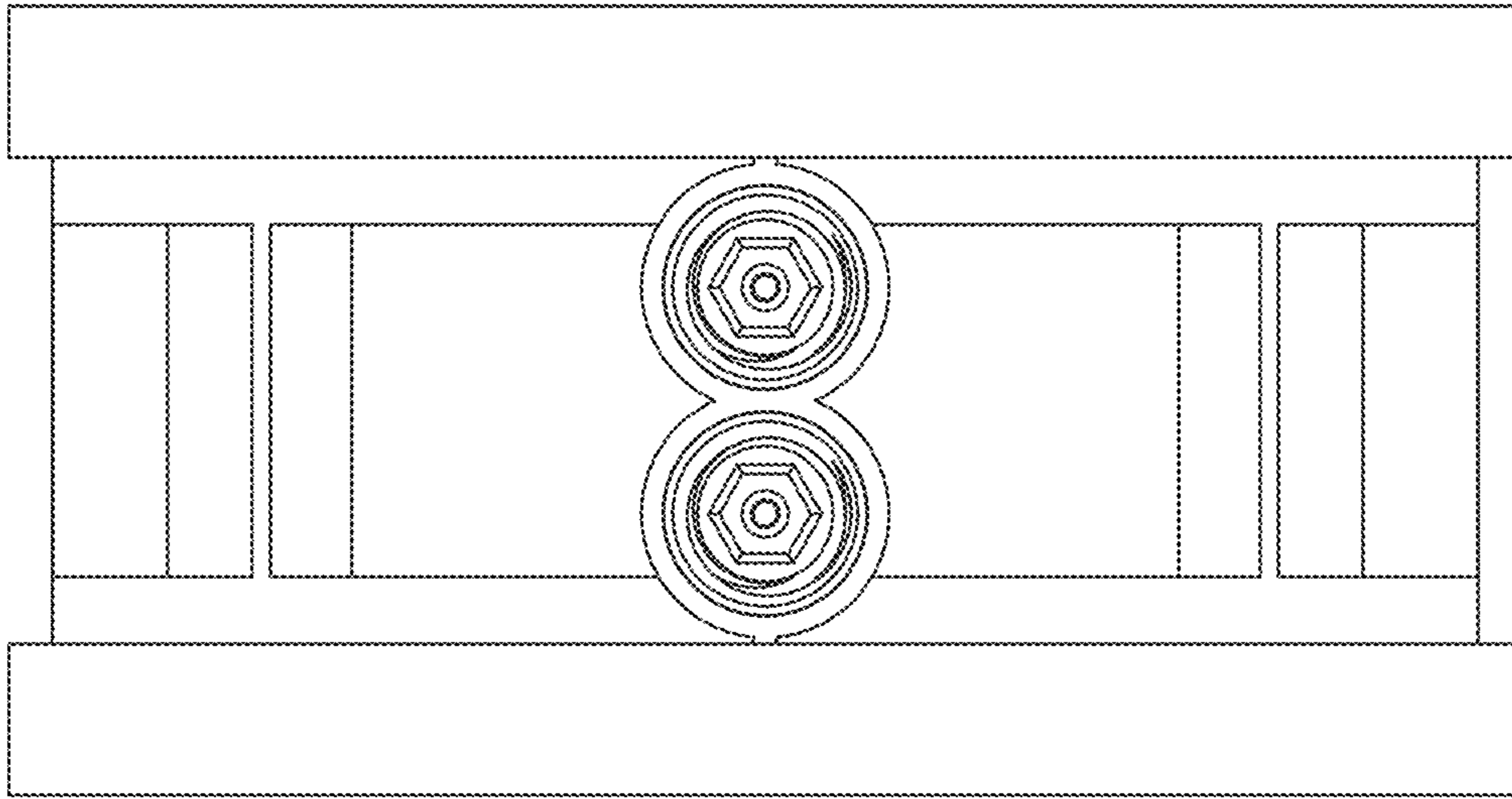


FIG. 7

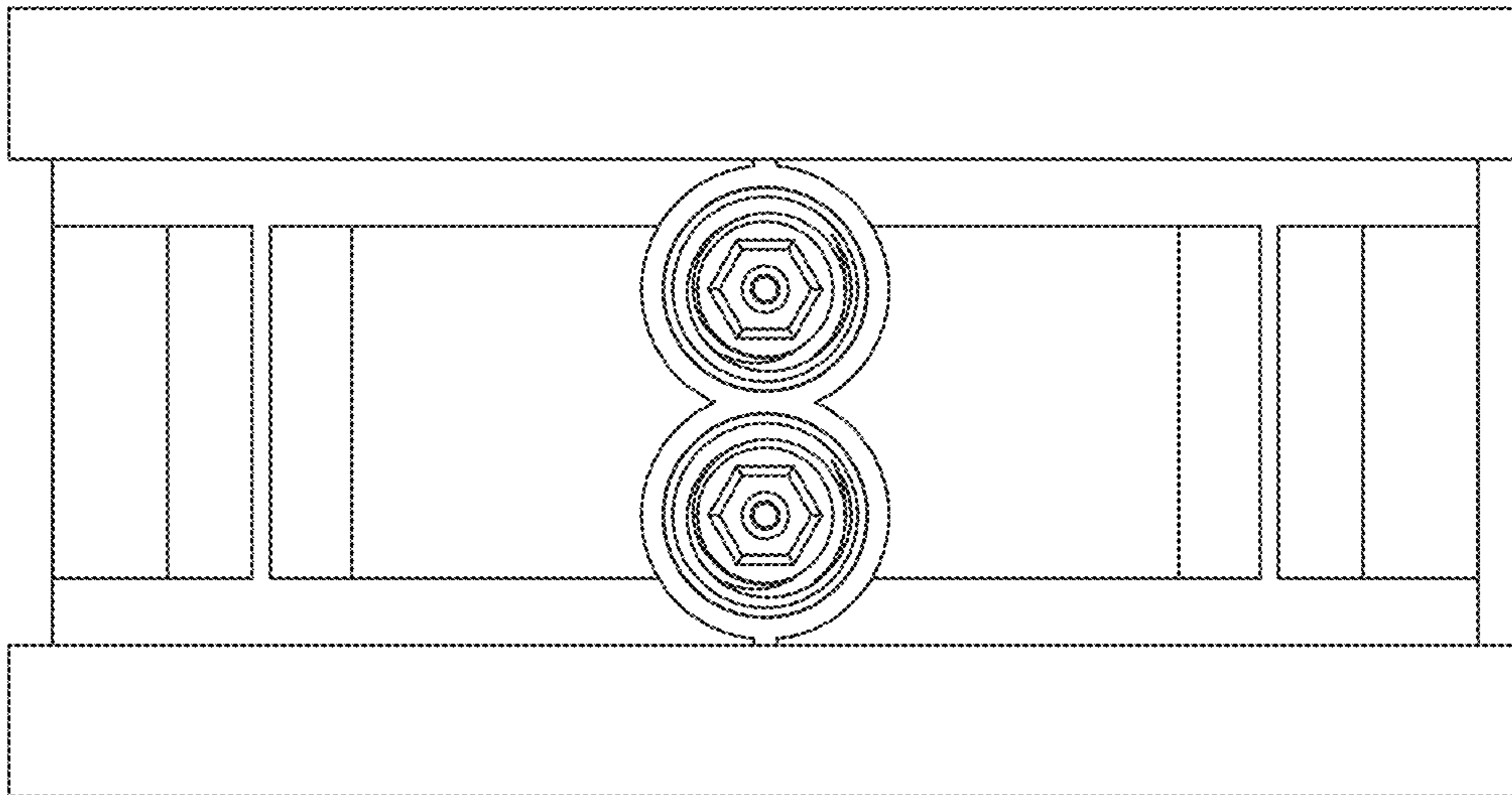


FIG. 8