



US00D963189S

(12) **United States Design Patent** (10) **Patent No.:** **US D963,189 S**
Qiao (45) **Date of Patent:** **** Sep. 6, 2022**

(54) **EYE MASSAGER**
(71) Applicant: **Xi Lu Qiao**, Guangzhou Guangdong (CN)
(72) Inventor: **Xi Lu Qiao**, Guangzhou Guangdong (CN)
(73) Assignee: **REESTAR INTERNATIONAL LIMITED**, Kln (HK)
(**) Term: **15 Years**
(21) Appl. No.: **29/797,933**
(22) Filed: **Jul. 4, 2021**
(51) **LOC (13) Cl.** **28-03**
(52) **U.S. Cl.**
USPC **D24/215**
(58) **Field of Classification Search**
USPC D24/215, 200, 211, 212, 213, 214, 133, D24/107, 231, 184; D16/100, 301, 303, D16/310, 312, 313; D29/105, 106, 108, D29/109, 110
CPC .. A61H 23/00; A61H 2023/002; A61H 23/02; A61H 9/00; A61H 5/00; A61H 2201/10; A61H 2205/024; A63B 33/002; A41D 13/1184
See application file for complete search history.

D928,335 S * 8/2021 Ma D24/215
D939,099 S * 12/2021 Guerizec D24/215
2007/0033718 A1* 2/2007 Lin G02C 11/08 2/448
2017/0252258 A1* 9/2017 Ma A61H 5/00

OTHER PUBLICATIONS

Cloris—Eye Mask Massager. Date: Aug. 24, 2020. [online]. [Site visited Apr. 20, 2022]. Available from Internet URL: <https://www.amazon.co.uk/dp/B08GK7QZK3/> (Year: 2020).*
Brnnoo—Eye Massager. Date: Sep. 3, 2020. [online]. [Site visited Apr. 20, 2022]. Available from Internet URL: <https://www.amazon.co.uk/dp/B08HCGLVTF/> (Year: 2020).*
Boom—Intelligent Eye Massager. Date: Nov. 2, 2019. [online]. [Site visited Apr. 20, 2022]. Available from Internet URL: <https://www.amazon.co.uk/dp/B07ZWGGXJH/> (Year: 2019).*
Eye massagers. (Design—© Questel) orbit.com. [Online PDF compilation of references] 47 pgs. Print Dates Range Dec. 2, 2015-Oct. 4, 2019 [Retrieved Apr. 22, 2022] <https://www.orbit.com/export/UCZAH96B/pdf4/23214c6d-6836-4e6d-b71e-6899ef30a27e-155901.pdf> (Year: 2022).*

* cited by examiner

Primary Examiner — Susan Bennett Hattan
Assistant Examiner — Landon Thomas Cassell

(57) **CLAIM**

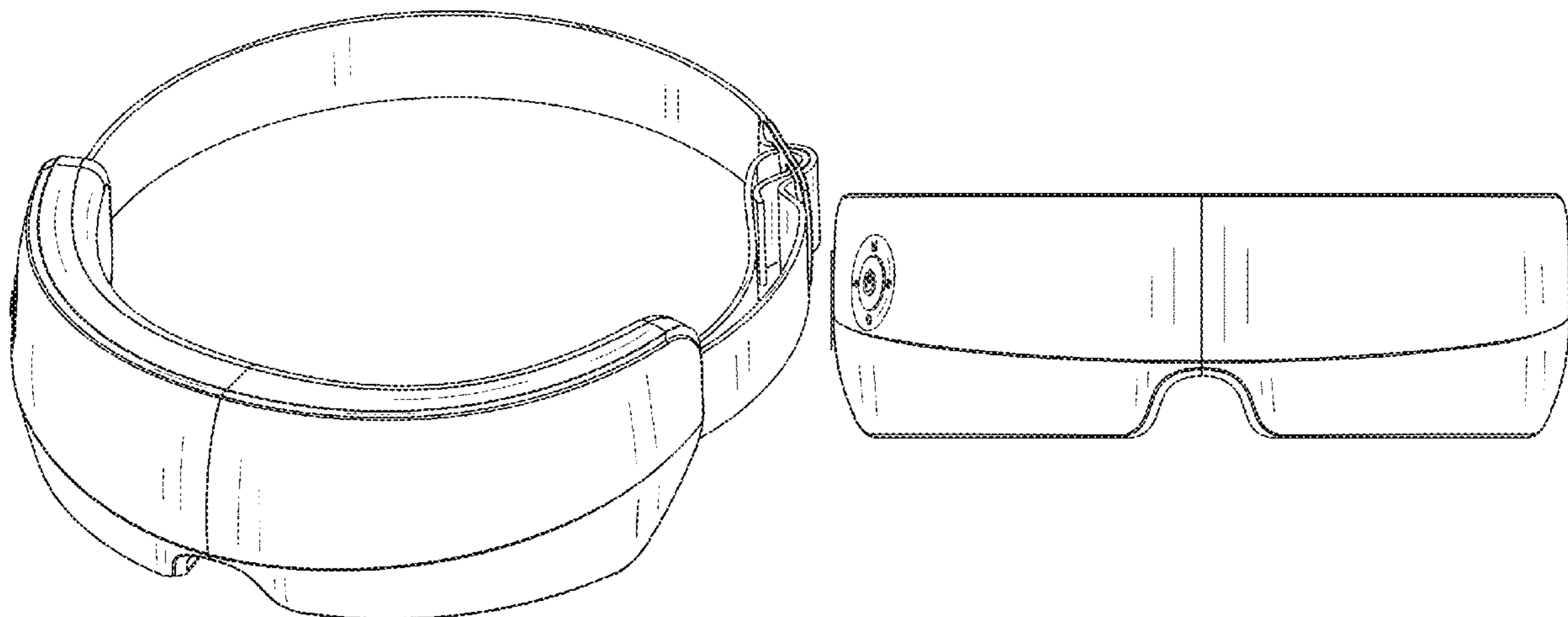
The ornamental design for an eye massager, as shown and described.

DESCRIPTION

FIG. 1 is a front perspective view of an eye massager according to the present invention;
FIG. 2 is a front elevation view thereof;
FIG. 3 is a rear elevation view thereof;
FIG. 4 is a left side view thereof,
FIG. 5 is a right side view thereof;
FIG. 6 is a top side view thereof; and,
FIG. 7 is a bottom side view thereof.

1 Claim, 7 Drawing Sheets

(56) **References Cited**
U.S. PATENT DOCUMENTS
D739,543 S * 9/2015 Ma D24/215
D765,870 S 9/2016 Sedic
D799,711 S 10/2017 Sedic
D806,258 S 12/2017 Sedic
D841,179 S * 2/2019 Ma D24/215
D884,913 S * 5/2020 Peng D24/215
D895,830 S * 9/2020 Nakamura D16/303
D899,502 S * 10/2020 Liu D16/312
D905,259 S 12/2020 Wang
D910,869 S 2/2021 Xiong
D918,991 S * 5/2021 Du D16/301



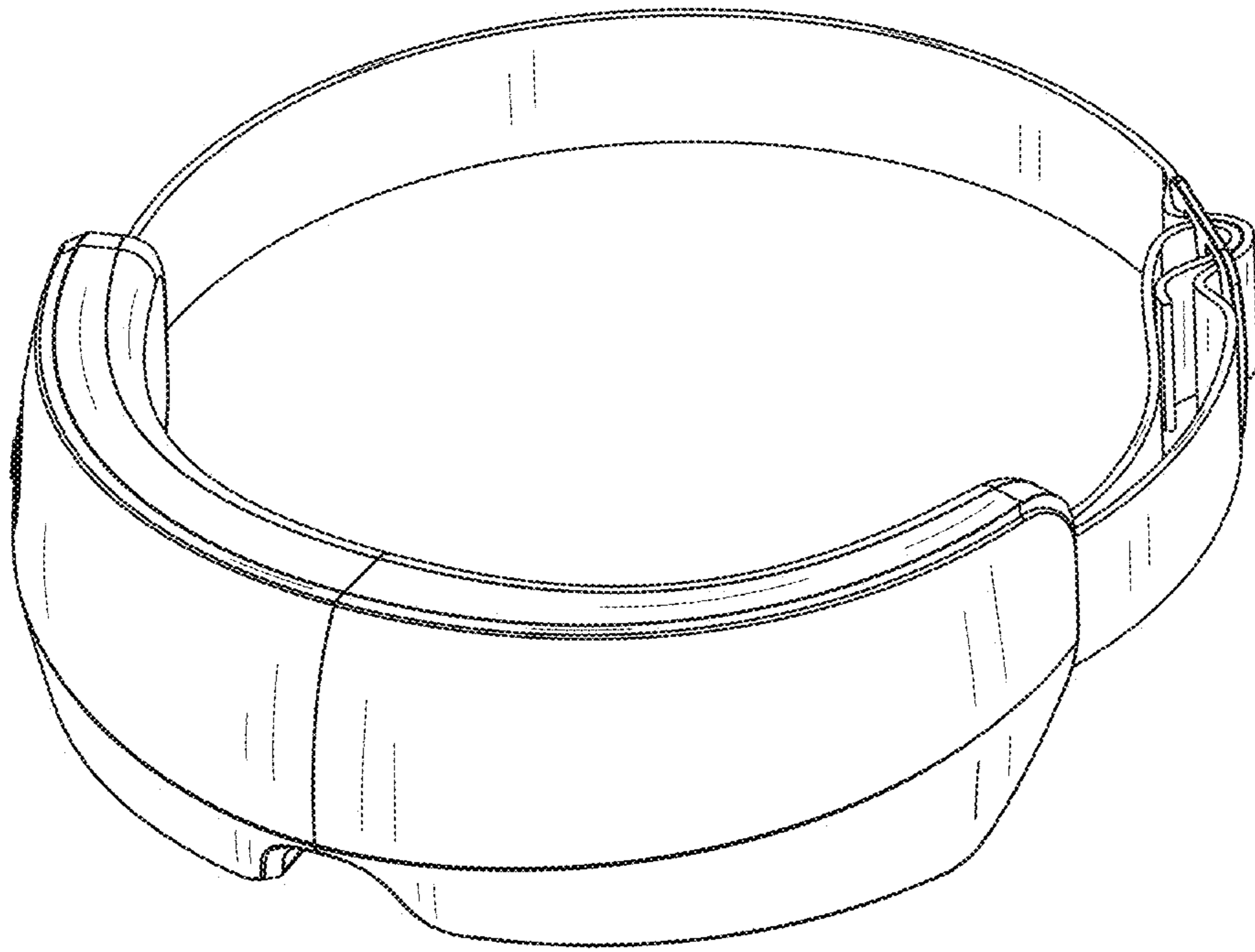


FIG. 1

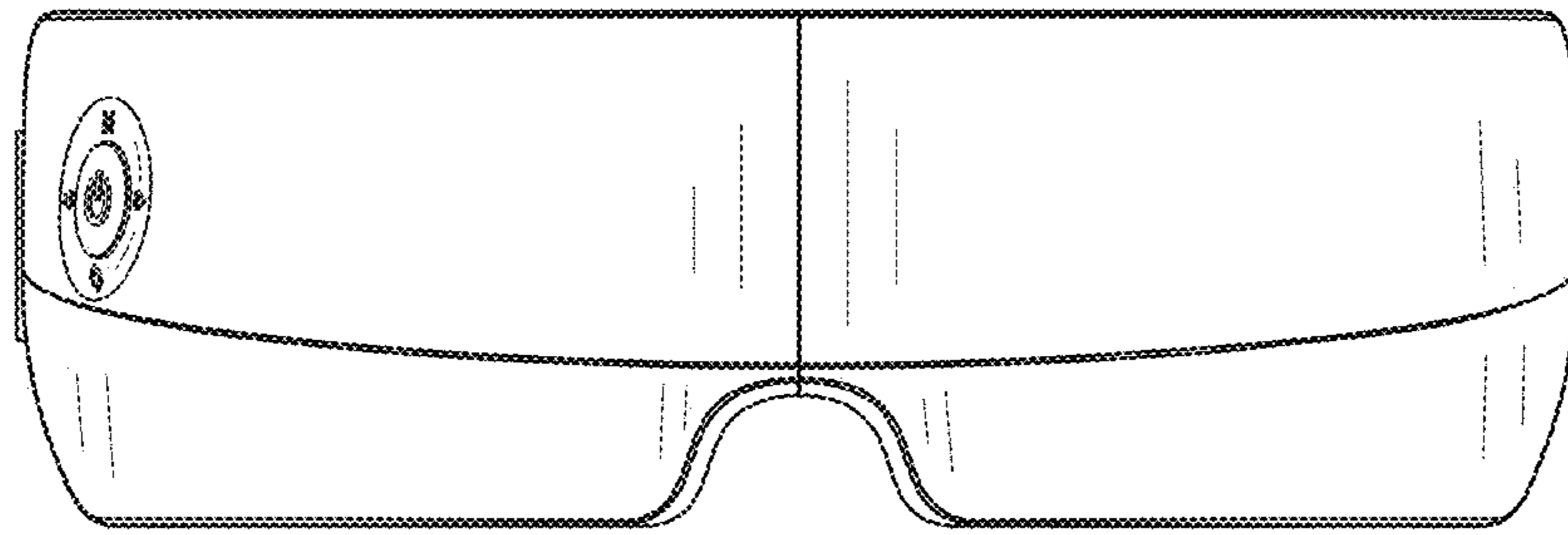


FIG. 2

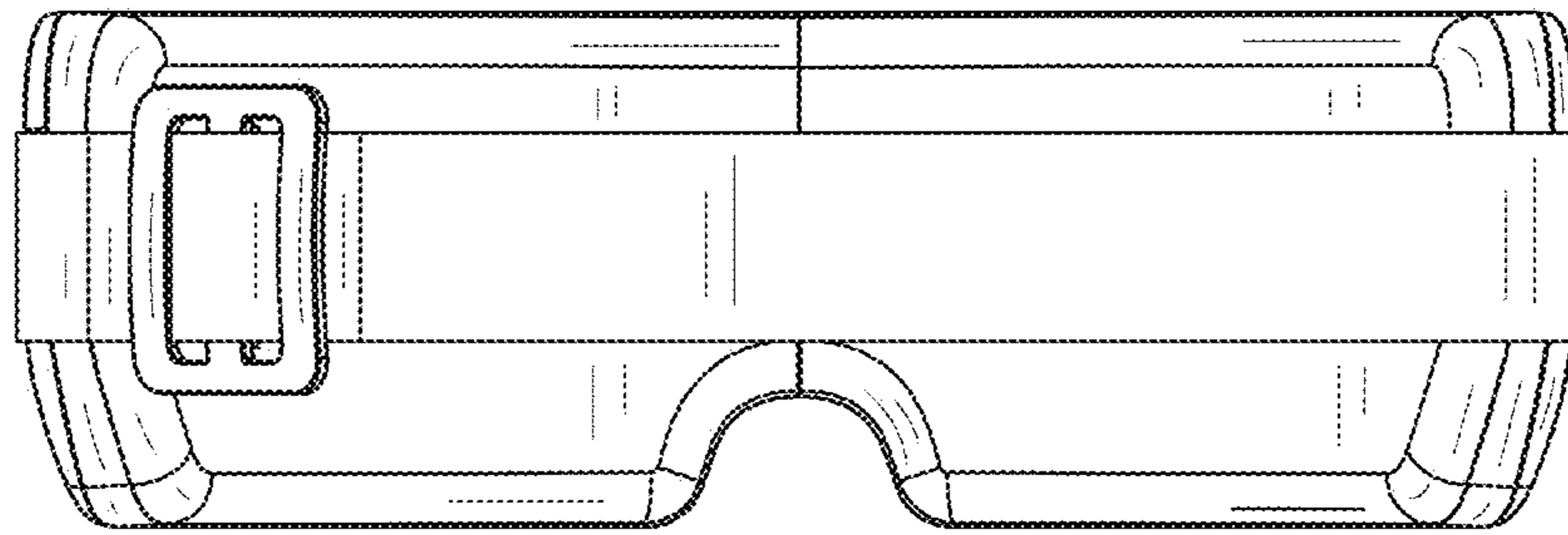


FIG. 3

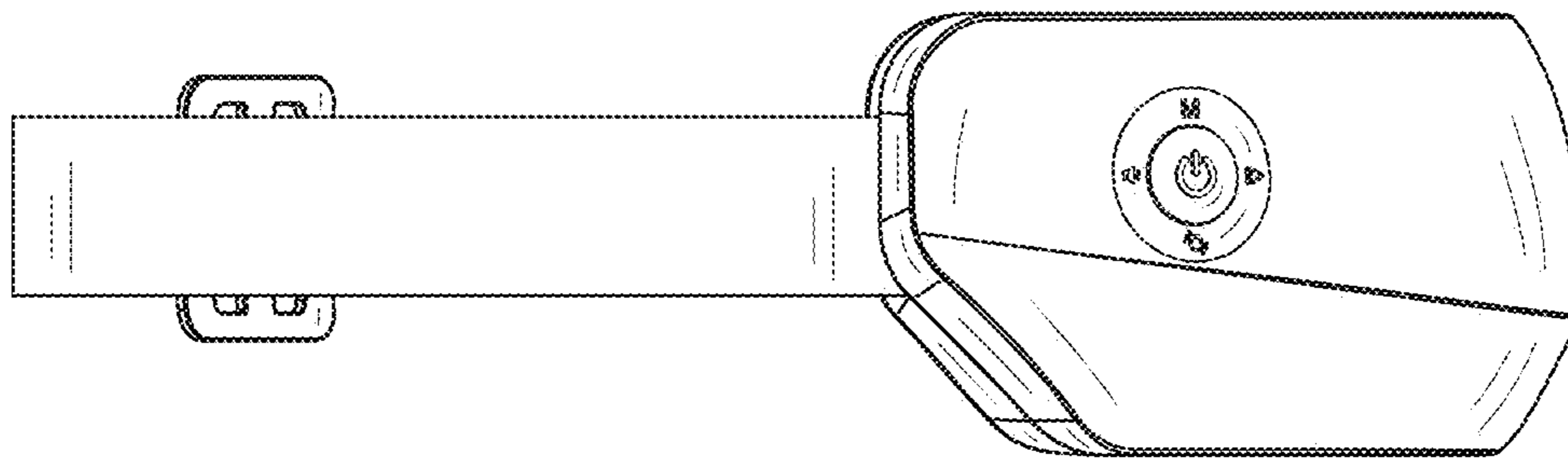


FIG. 4

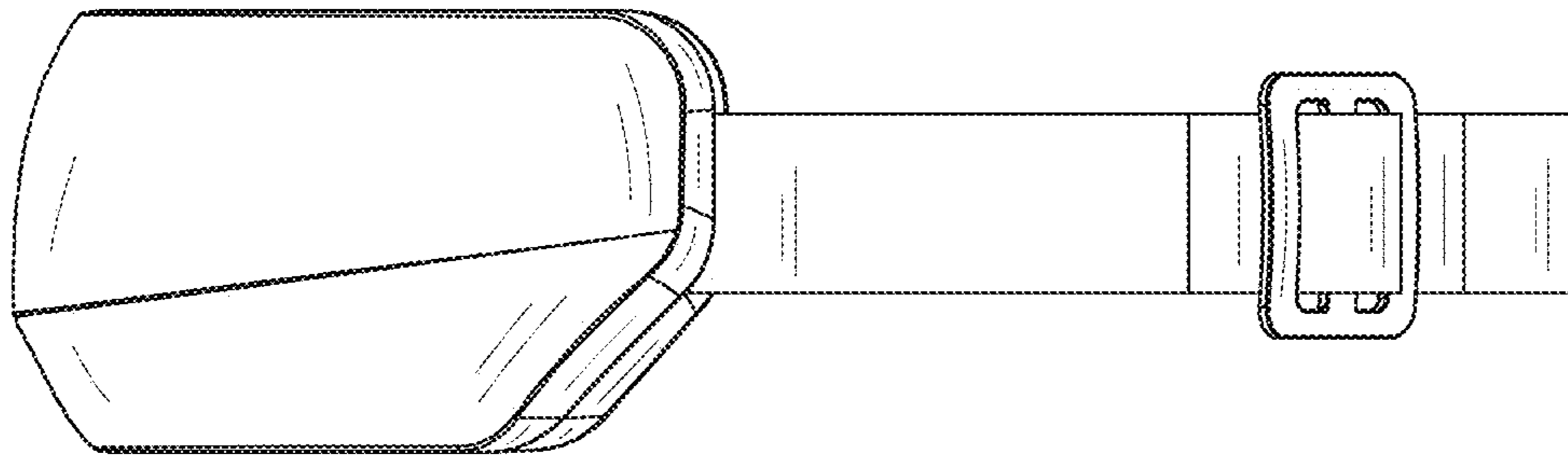


FIG. 5

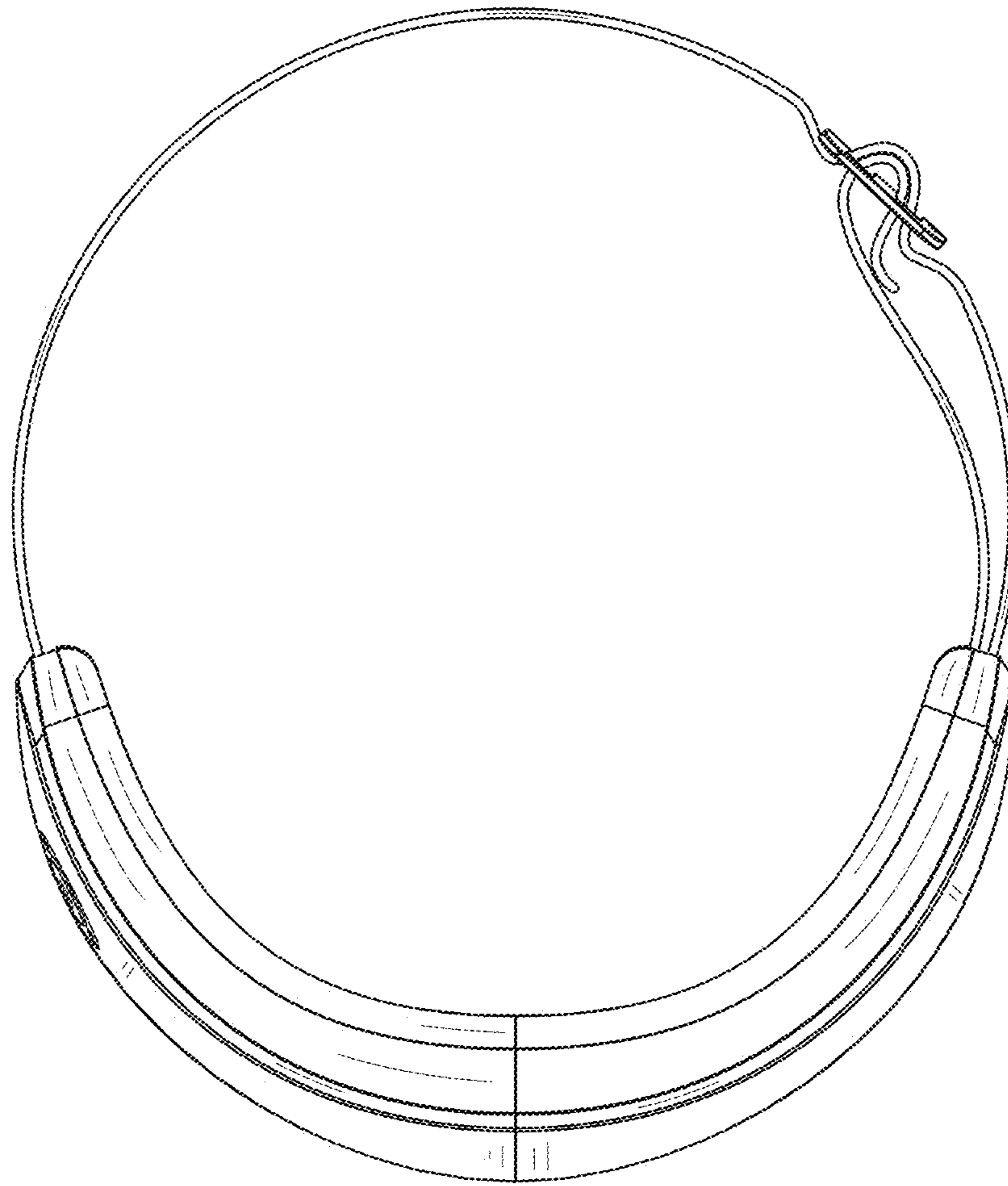


FIG. 6

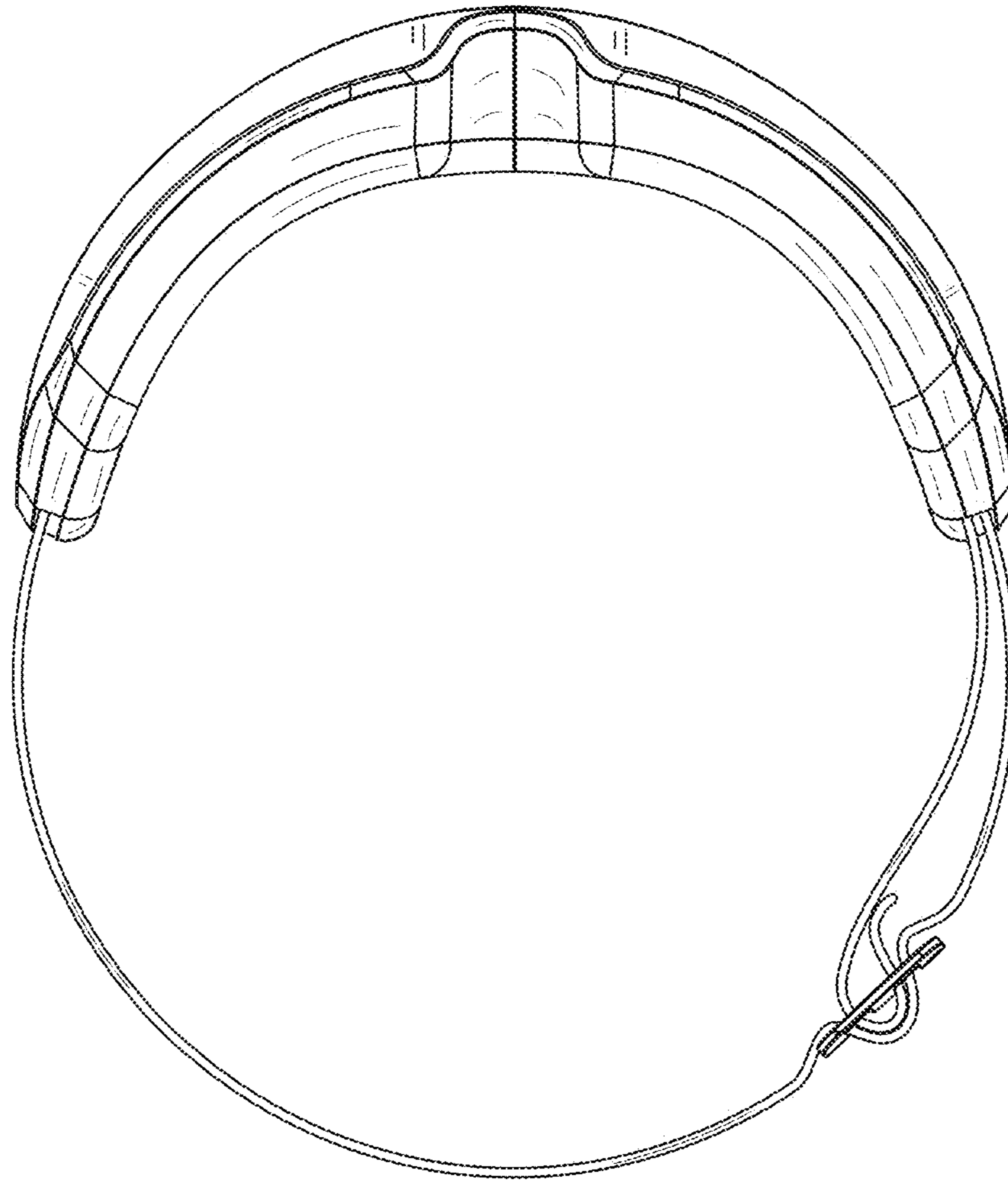


FIG. 7