



US00D963187S

(12) **United States Design Patent**
Tian

(10) **Patent No.:** **US D963,187 S**

(45) **Date of Patent:** **** Sep. 6, 2022**

(54) **ELECTRIC MASSAGER**

(71) Applicant: **Achedaway (Shenzhen) Technology Co., Ltd., Shenzhen (CN)**

(72) Inventor: **Shaowen Tian, Yuanling County (CN)**

(**) Term: **15 Years**

(21) Appl. No.: **29/764,964**

(22) Filed: **Jan. 5, 2021**

(51) **LOC (13) Cl.** **28-03**

(52) **U.S. Cl.**
USPC **D24/215**

(58) **Field of Classification Search**
USPC D24/200, 211, 212, 213, 214, 215;
D30/160; D12/178; D21/441, 455, 463,
D21/464, 465, 481
CPC A61H 7/001; A61H 7/007; A61H 7/00;
A61H 15/0092; A61H 2015/0014; A61H
2015/0042

See application file for complete search history.

(56) **References Cited**

U.S. PATENT DOCUMENTS

D492,791 S *	7/2004	Alexander	D24/211
D553,253 S *	10/2007	Gayne	D24/215
D689,155 S *	9/2013	Jahns	D21/692
D717,963 S *	11/2014	Milton	D24/215
D800,330 S *	10/2017	Loos	A61H 15/00
				D24/211
D820,993 S *	6/2018	Huang	D24/215
D822,918 S *	7/2018	Woods	D30/160
D827,847 S *	9/2018	Downare	D24/211
D857,129 S *	8/2019	Lim	D21/662
D858,911 S *	9/2019	Becattini, Jr.	D30/160
D879,203 S *	3/2020	Taselaridis	D21/398
D879,887 S *	3/2020	Loftin, III	D6/601
D888,972 S *	6/2020	Chernyavskiy	D24/200
D888,979 S *	6/2020	Chernyavskiy	D24/214

D906,447 S *	12/2020	Benton	D21/681
10,888,069 B2 *	1/2021	Becattini, Jr.	A01K 5/0114
D912,336 S *	3/2021	Crouch	D30/160
D914,225 S *	3/2021	Mills	D24/211
D915,613 S *	4/2021	Durfee	D24/211
D929,675 S *	8/2021	Wilhelm	D30/160
D929,676 S *	8/2021	Jackson	D30/160
D929,677 S *	8/2021	Toolan	D30/160
D949,367 S *	4/2022	Wersland	D24/211
2015/0057579 A1 *	2/2015	Martinez	A61H 15/02
				601/19

OTHER PUBLICATIONS

Amazon, "Achedaway Copper", Date First Available May 7, 2021.
https://www.amazon.com/Achedaway-Copper-Cupping-Therapy-Massager/dp/B094CYM596/ref=cm_cr_arp_d_product_top?ie=UTF8. Shown on p. 1. (Year: 2021).*

(Continued)

Primary Examiner — Michael A Maharajh

(57) **CLAIM**

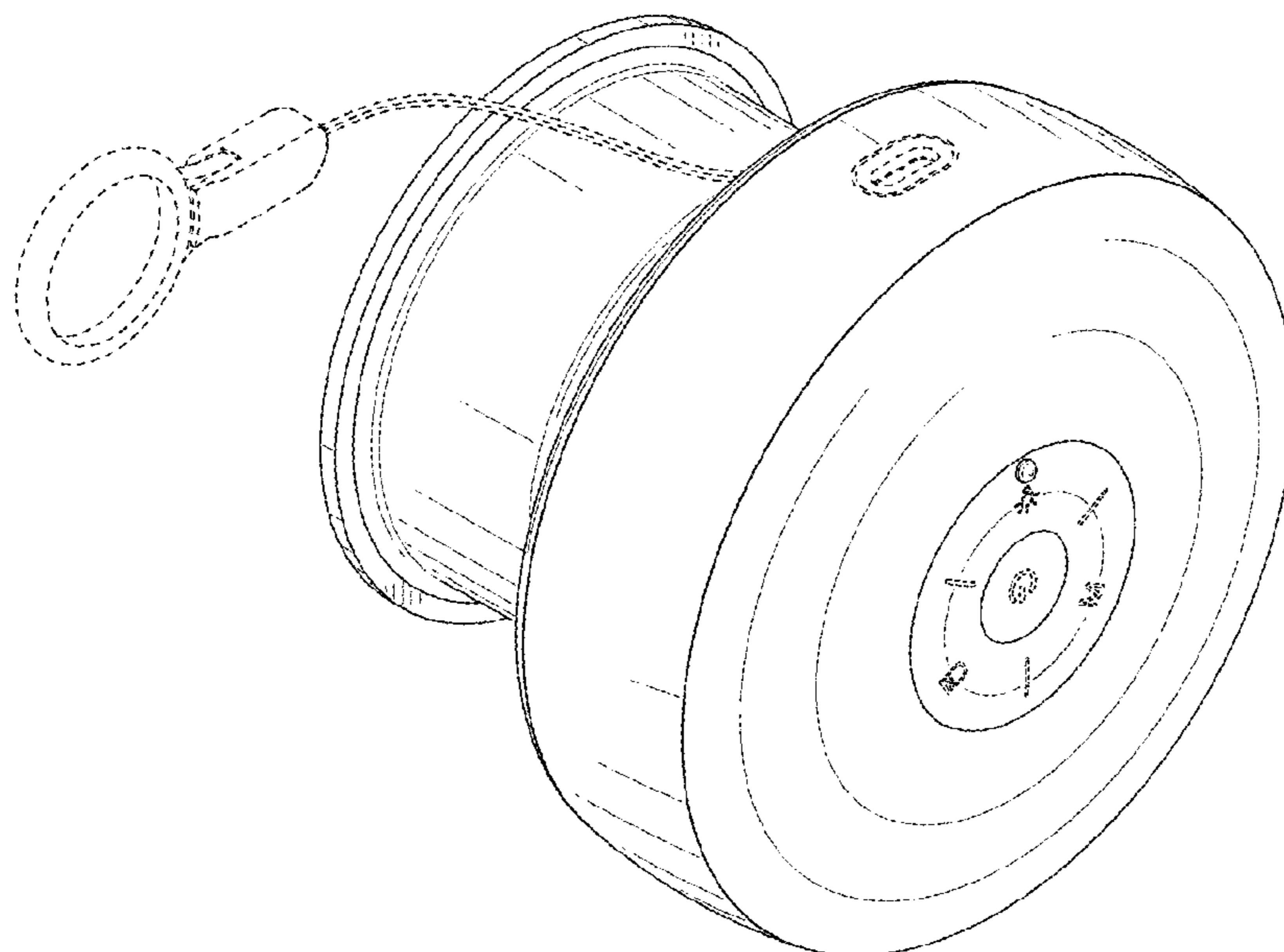
The ornamental design for an electric massager, as shown and described.

DESCRIPTION

FIG. 1 is a perspective view of an electric massager; FIG. 2 is a front elevational view thereof; FIG. 3 is a rear elevational view thereof; FIG. 4 is a left side elevational view thereof; FIG. 5 is a right side elevational view thereof; FIG. 6 is a top plan view thereof; FIG. 7 is a bottom plan view thereof; and, FIG. 8 is another perspective view showing the electric massager.

The broken lines shown are for the purpose of illustrating portions of the electric massager, which form no part of the claimed design.

1 Claim, 8 Drawing Sheets



(56)

References Cited

OTHER PUBLICATIONS

Youtube, "Introducing Achedaway Cupper", May 18, 2021. <https://www.youtube.com/watch?v=NxyVPqjWNWo>. (Year: 2021).*

Achedaway, "The Smart Cupper", Earliest Review Date Jan. 30, 2021. <https://achedaway.com/products/achedaway-smart-cupping-therapy-massager>. Shown on p. 1. (Year: 2021).*

* cited by examiner

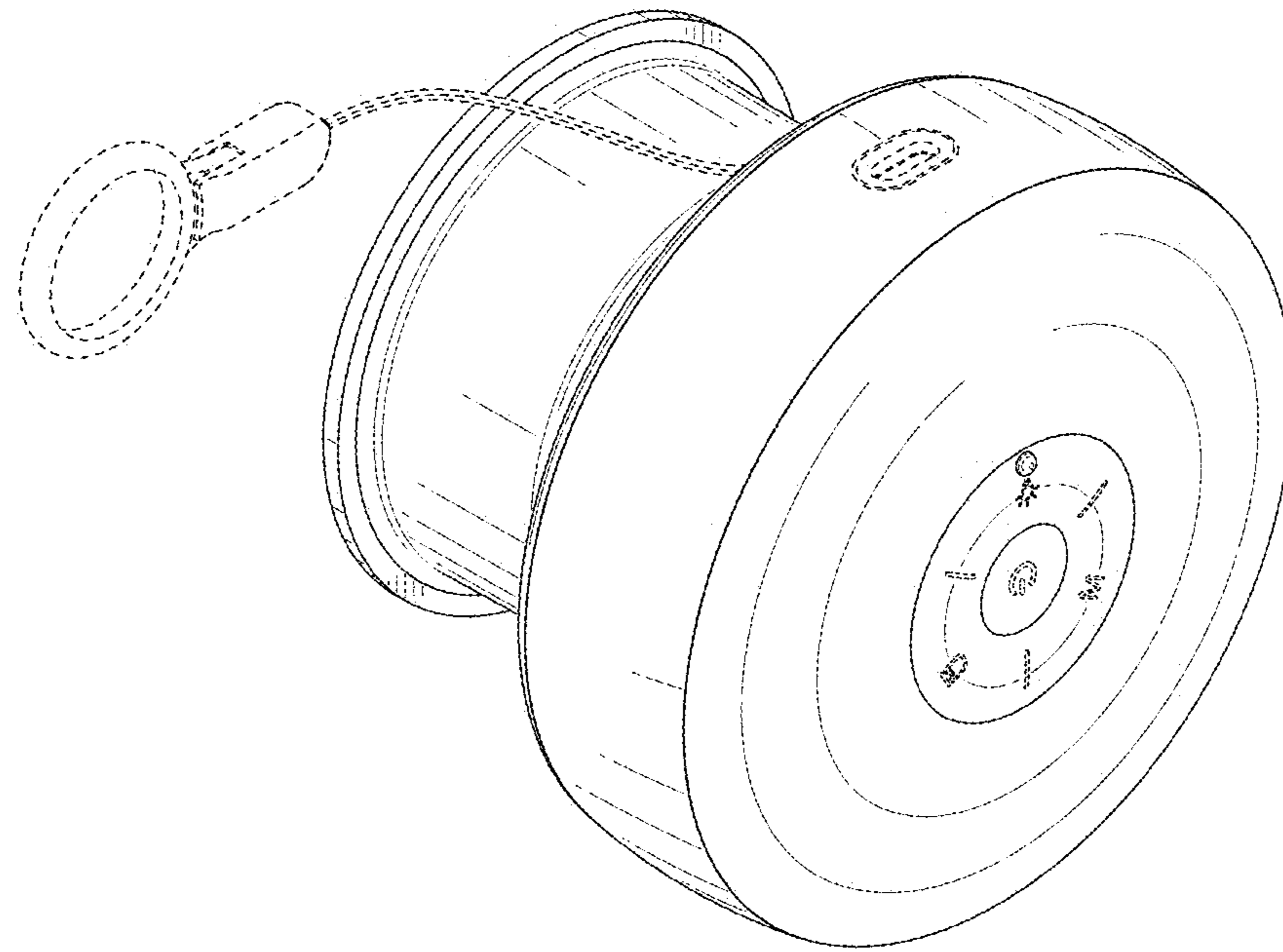


FIG. 1

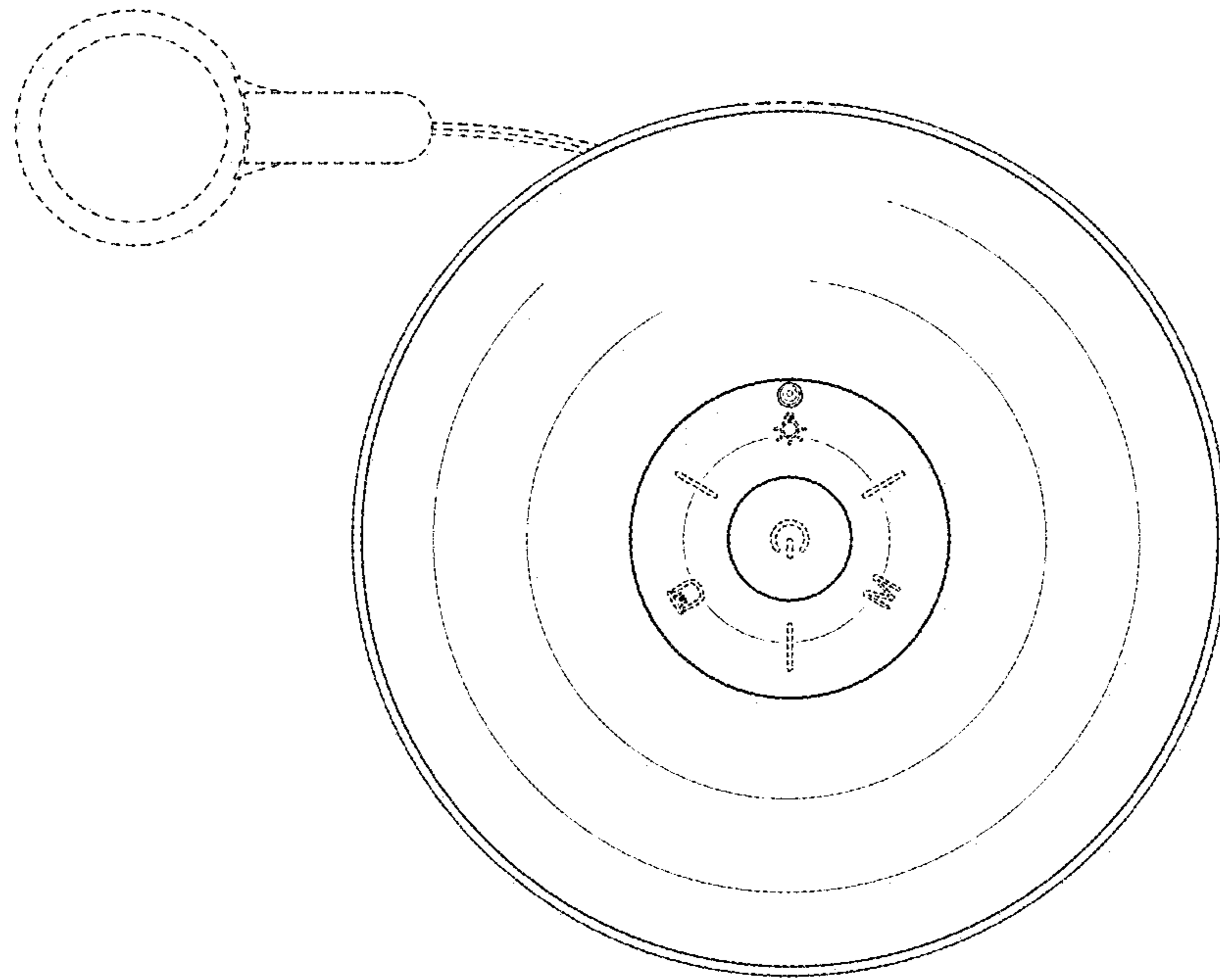


FIG.2

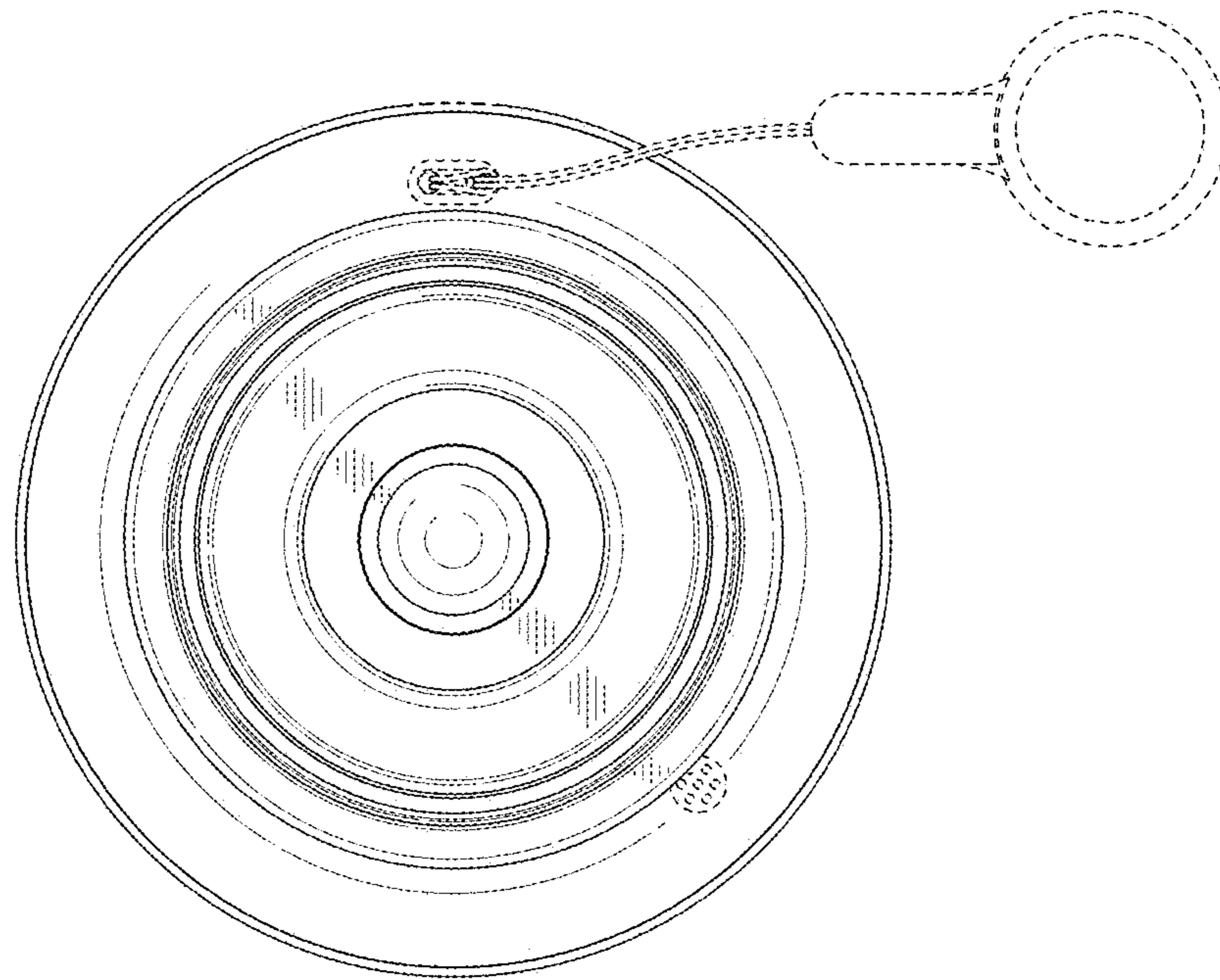


FIG.3

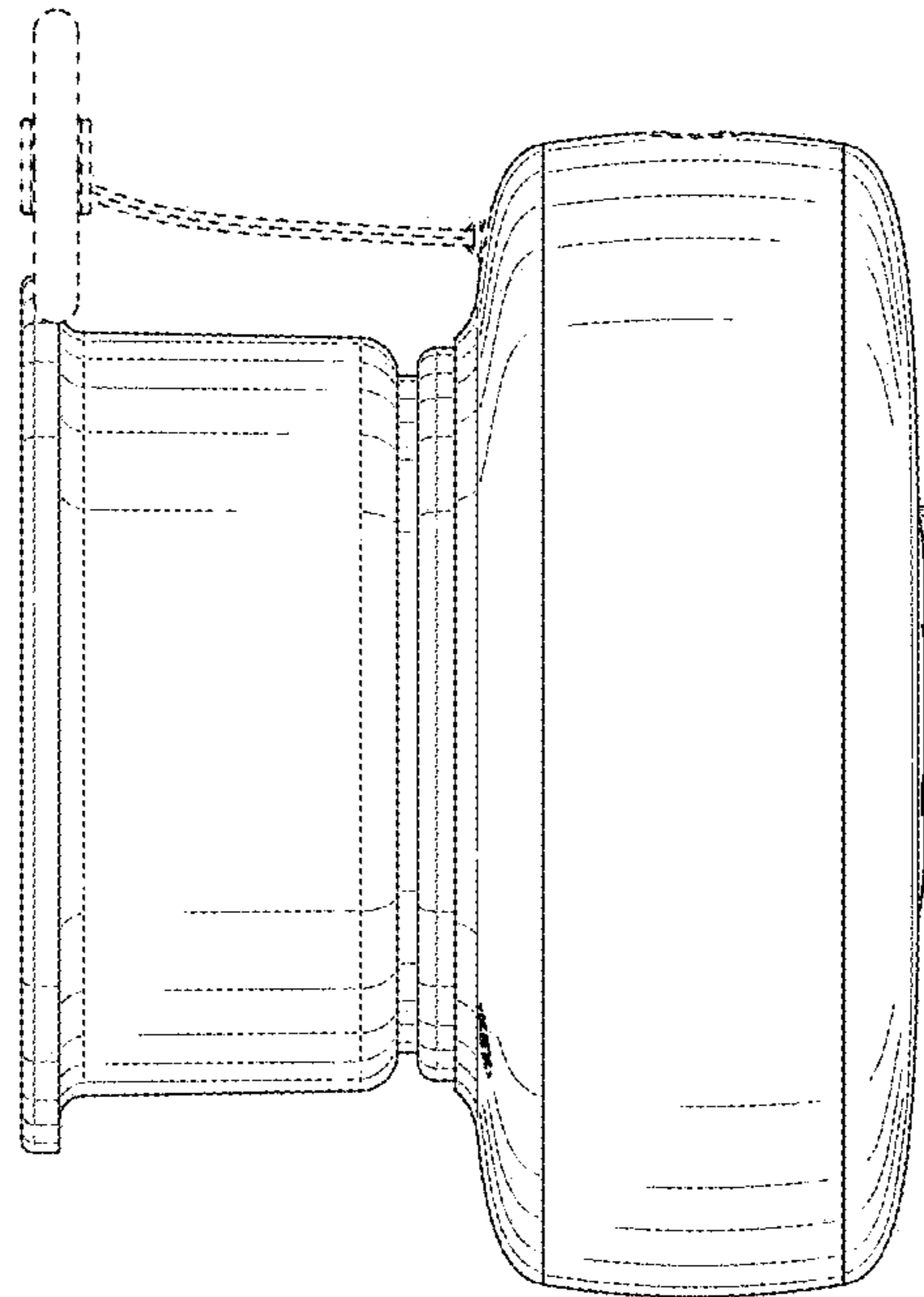


FIG.4

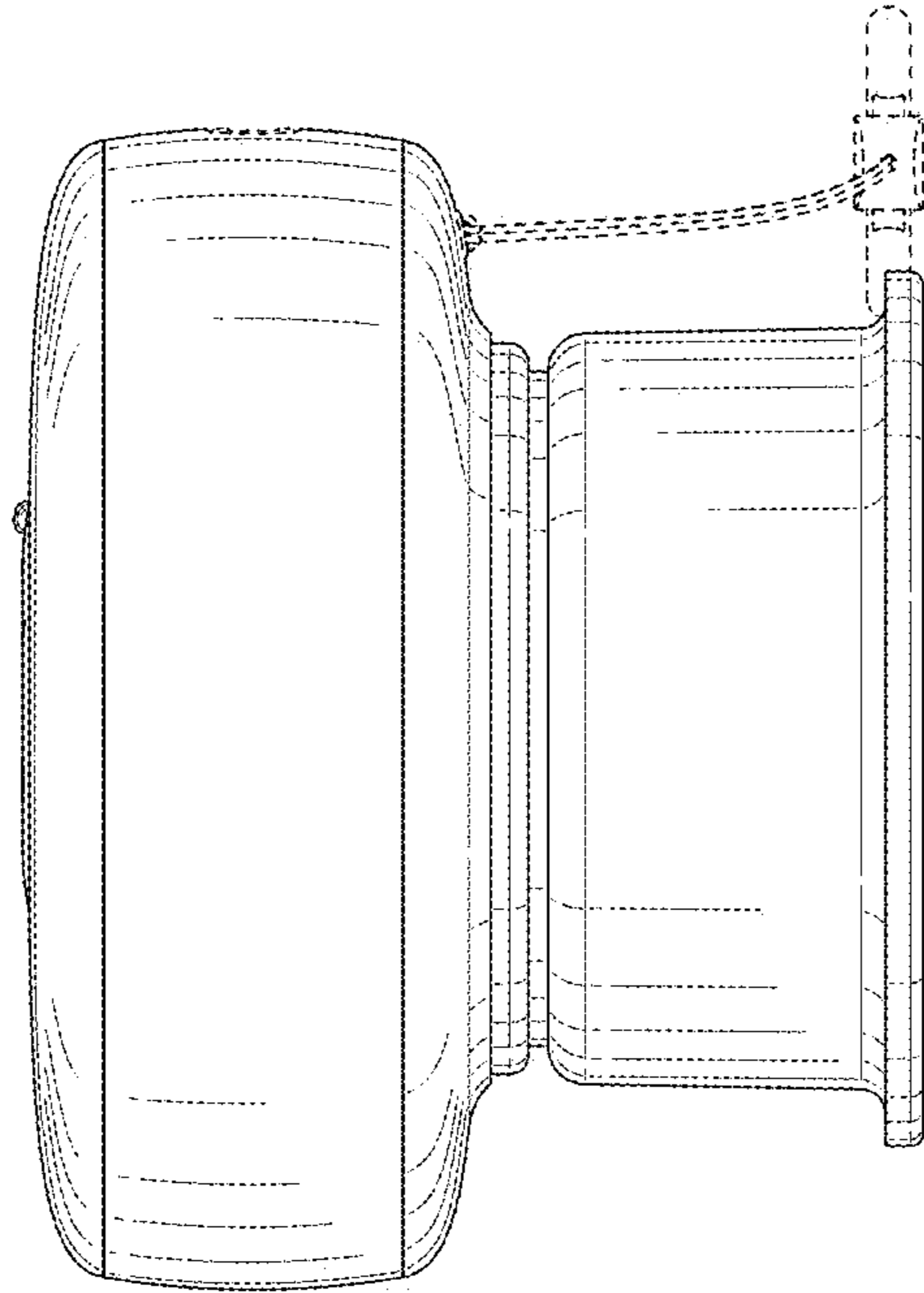


FIG.5

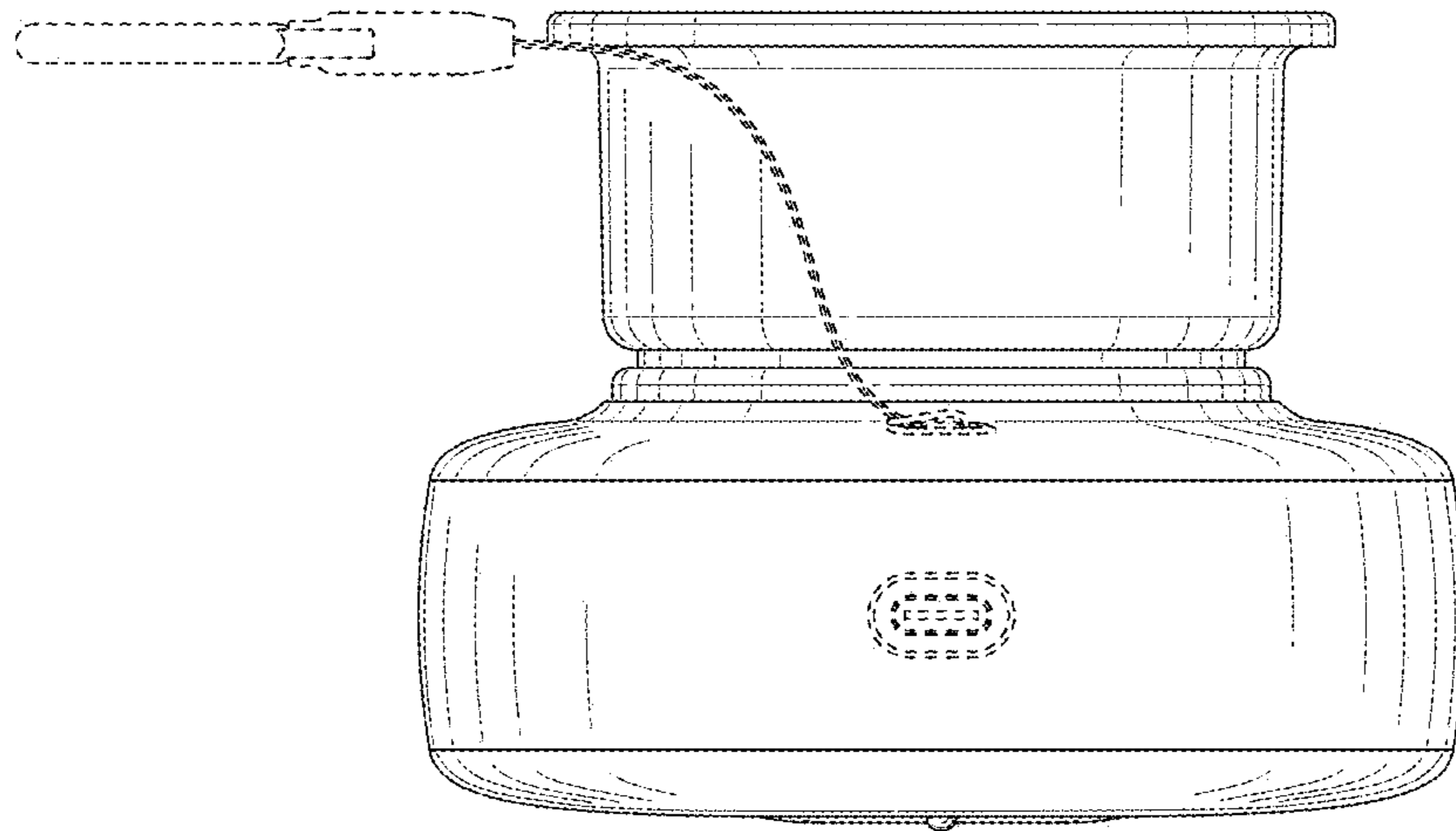


FIG.6

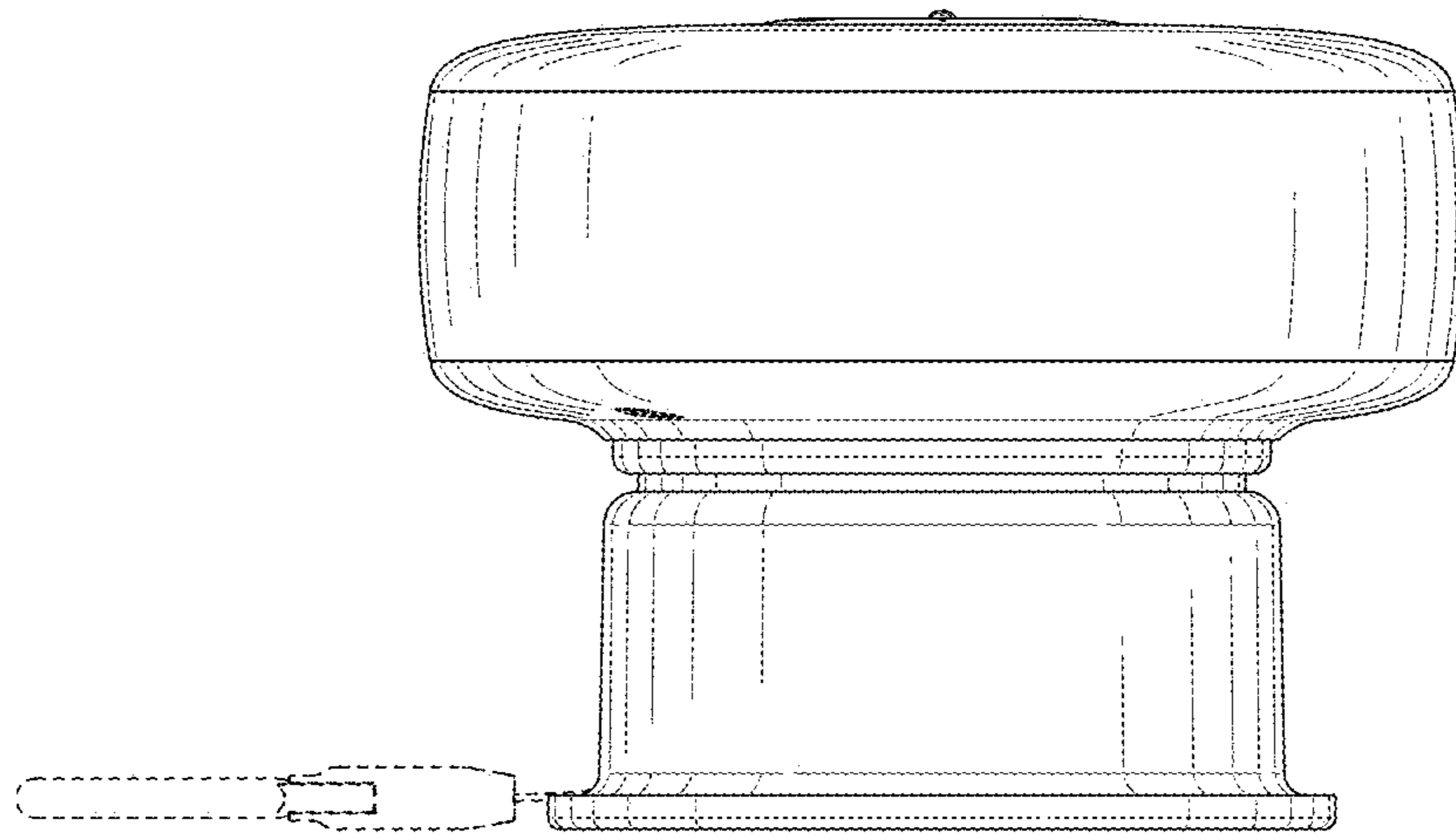


FIG. 7

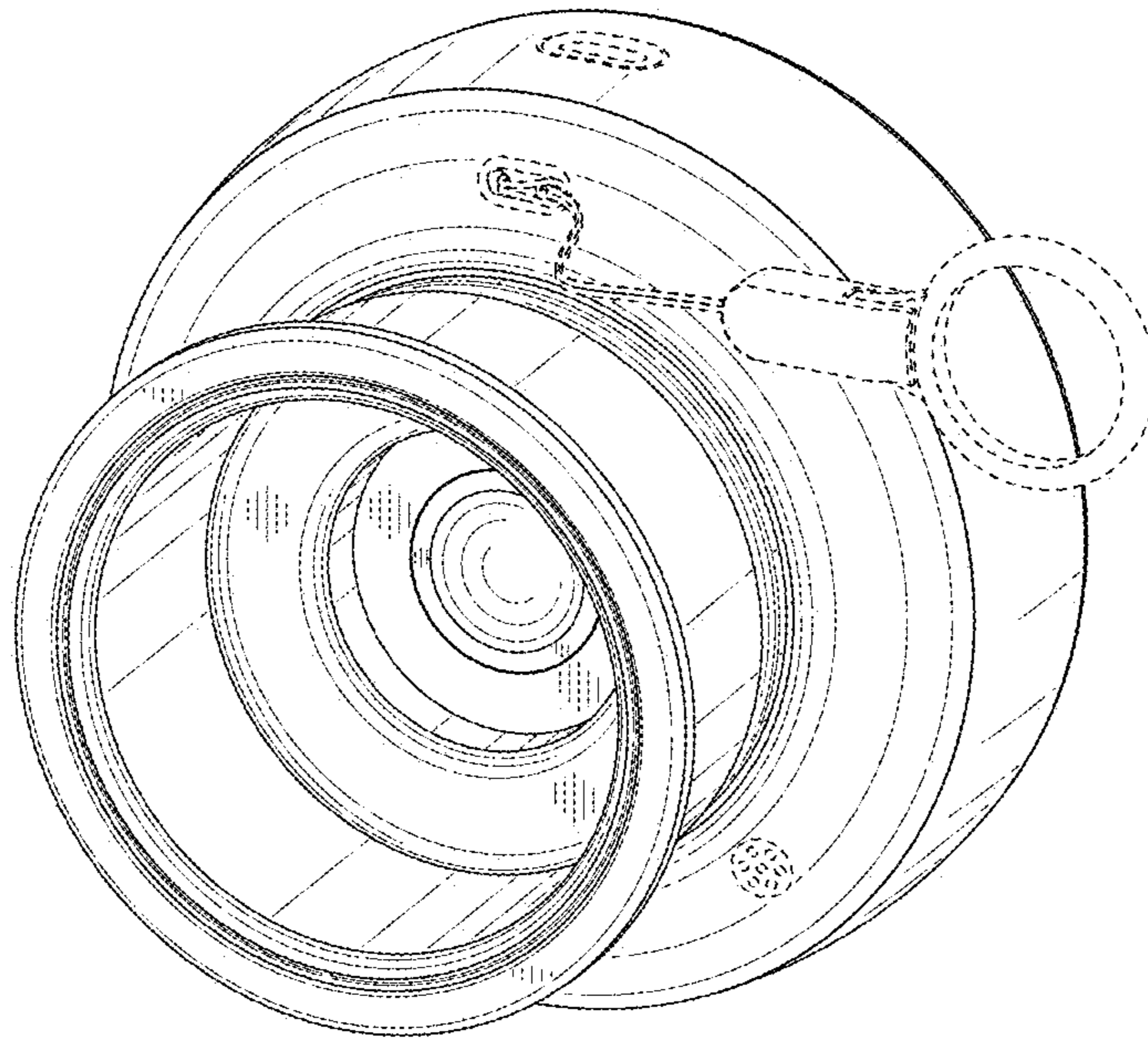


FIG.8