



US00D963183S

(12) **United States Design Patent**
Ge et al.

(10) **Patent No.:** **US D963,183 S**

(45) **Date of Patent:** **** Sep. 6, 2022**

(54) **FOOT BATH**

(71) Applicant: **Sailvan Times Co., Ltd.**, Guangdong (CN)

(72) Inventors: **Jun Ge**, Guangdong (CN); **Sucheng Cao**, Guangdong (CN)

(73) Assignee: **Sailvan Times Co., Ltd.**, Shenzhen (CN)

(**) Term: **15 Years**

(21) Appl. No.: **29/761,352**

(22) Filed: **Dec. 8, 2020**

(30) **Foreign Application Priority Data**

Jun. 9, 2020 (CN) 202030288674.2

(51) **LOC (13) Cl.** **28-03**

(52) **U.S. Cl.**
USPC **D24/213**

(58) **Field of Classification Search**

USPC D24/215, 200, 211, 212, 213, 214, 107, D24/231, 188, 201, 202, 203
CPC .. A61H 1/00; A61H 15/00; A61H 2015/0007; A61H 2015/0014; A61H 33/00; A61H 35/00; A61H 35/006; A61H 2205/12; A61H 2205/10; A61H 2201/164; A61H 2201/1642

See application file for complete search history.

(56) **References Cited**

U.S. PATENT DOCUMENTS

6,309,366 B1 * 10/2001 Maxwell A61H 35/006 601/55
D460,826 S * 7/2002 Lie D24/213
D531,732 S * 11/2006 Bean D24/213
D541,424 S * 4/2007 Cafaro D24/212
D668,769 S * 10/2012 Schmitz D24/204
D924,419 S * 7/2021 Sheng D24/213

D925,052 S * 7/2021 Sheng D24/213
D932,644 S * 10/2021 Yao D24/213
2003/0220593 A1 * 11/2003 Morton A61H 35/006 601/154

(Continued)

OTHER PUBLICATIONS

Misiki—Foot Spa Massager. Date: May 11, 2020. [online]. [Site visited Mar. 17, 2022]. Available from Internet URL: <https://www.amazon.co.uk/dp/B088FS7H7X/> (Year: 2020).*

(Continued)

Primary Examiner — Susan Bennett Hattan
Assistant Examiner — Landon Thomas Cassell

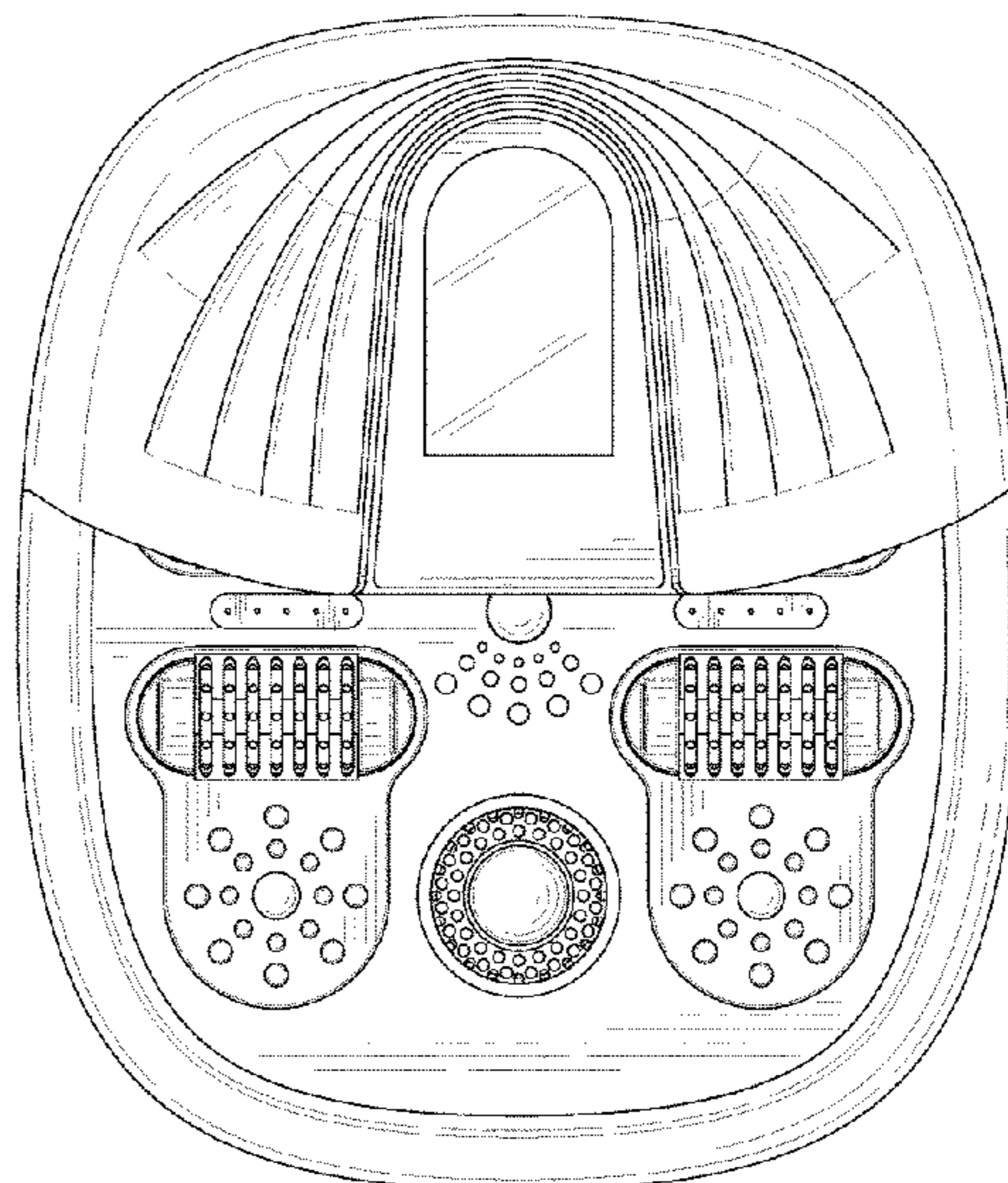
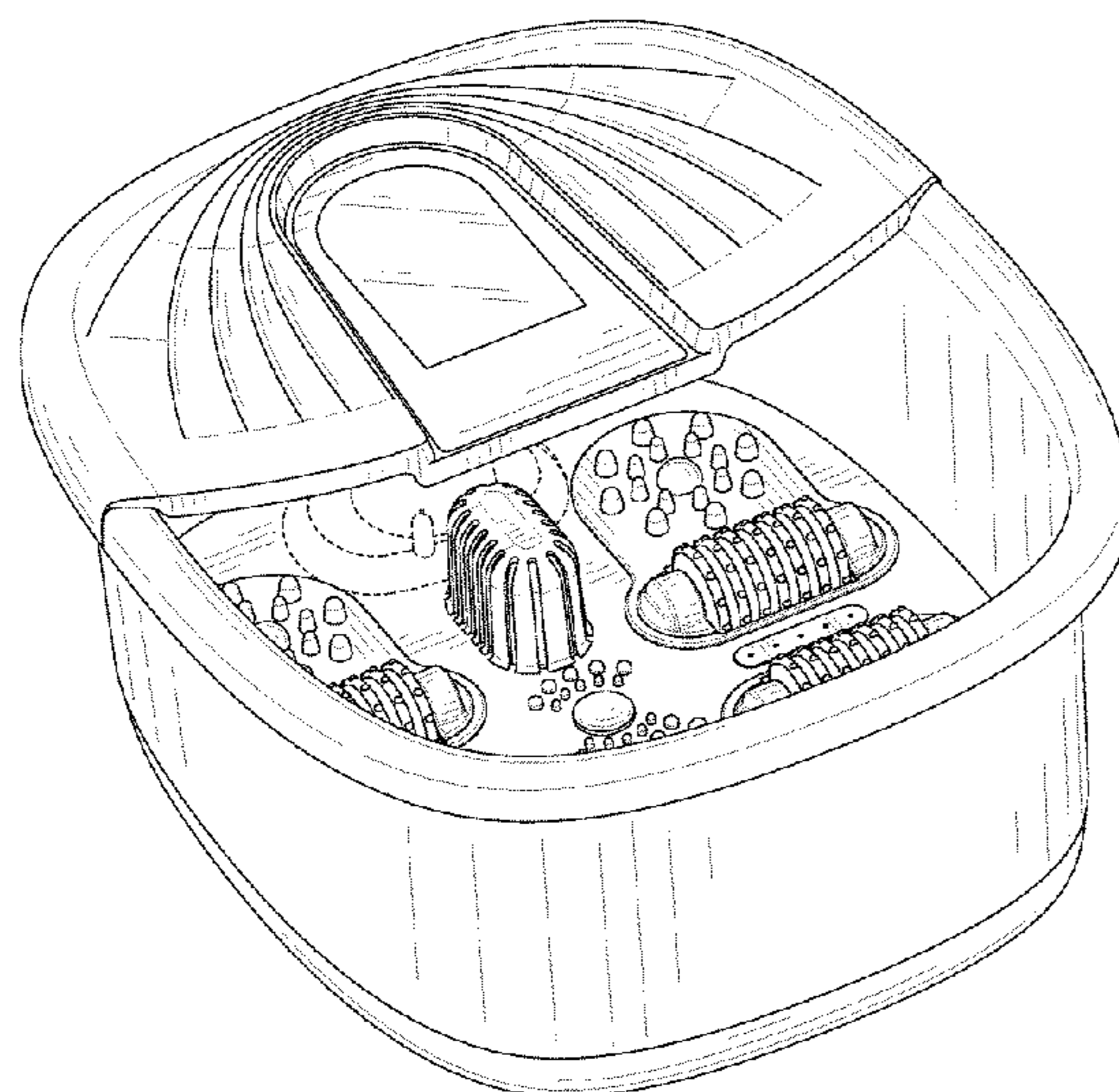
(57) **CLAIM**

The ornamental design for a foot bath, as shown and described.

DESCRIPTION

FIG. 1 is a top, front and left side perspective view of a foot bath showing our new design;
FIG. 2 is a top, front and right side perspective view thereof;
FIG. 3 is a bottom, rear and left side perspective view thereof;
FIG. 4 is a front elevational view thereof;
FIG. 5 is a rear elevational view thereof;
FIG. 6 is a left side view thereof;
FIG. 7 is a right side view thereof;
FIG. 8 is a top plan view thereof;
FIG. 9 is a bottom plan view thereof;
FIG. 10 is an enlarged view of portion 10 in FIG. 2; and
FIG. 11 is an enlarged view of portion 11 in FIG. 2.
The broken lines in the drawings illustrate portions of the foot bath which form no part of the claimed design.
The uneven dot-dash broken lines in the drawings are for the purpose of identifying enlarged views and form no part of the claimed design.

1 Claim, 11 Drawing Sheets



(56)

References Cited

U.S. PATENT DOCUMENTS

2005/0257318 A1* 11/2005 Perkins A61H 33/6089
4/622
2006/0207016 A1* 9/2006 Lev A61H 35/006
4/622
2019/0240111 A1* 8/2019 Wang A61N 1/445
2021/0346236 A1* 11/2021 Zhou A61H 15/0078

OTHER PUBLICATIONS

Ovitus—Foot Spa Bath Massager. Date: Feb. 1, 2018. [online]. [Site visited Mar. 21, 2022]. Available from Internet URL: <https://www.amazon.com/dp/B079HTHF3V/?th=1> (Year: 2018).*

Foot baths. (Design—© Questel) orbit.com. [Online PDF compilation of references] 46 pgs. Print Dates Range Jul. 21, 2004-Sep. 4, 2020 [Retrieved Mar. 17, 2022] <https://www.orbit.com/export/UCZAH96B/pdf4/825c8f76-0ea5-4619-aa05-ba60ae07ee73-172230.pdf> (Year: 2022).*

* cited by examiner

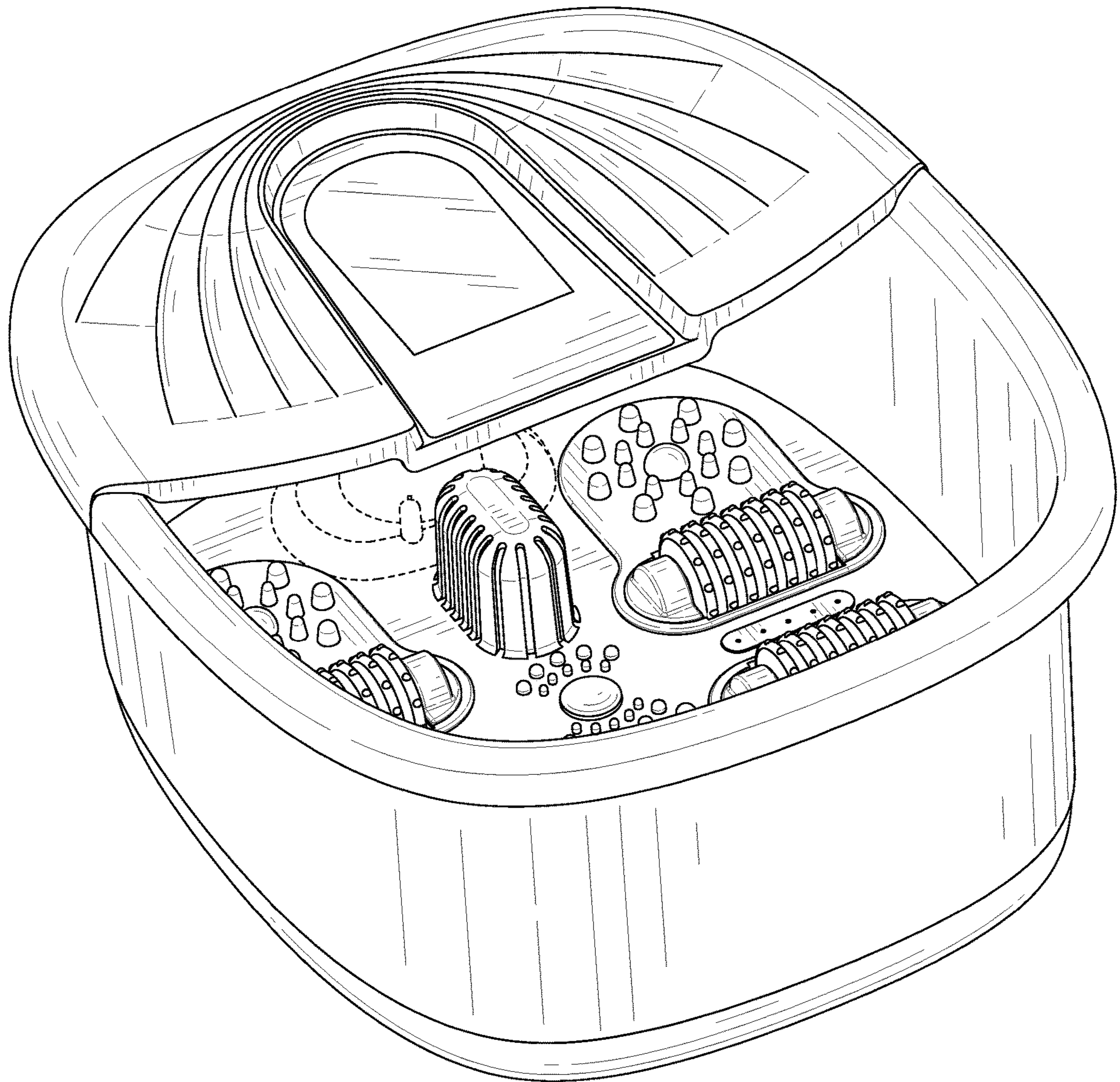


FIG. 1

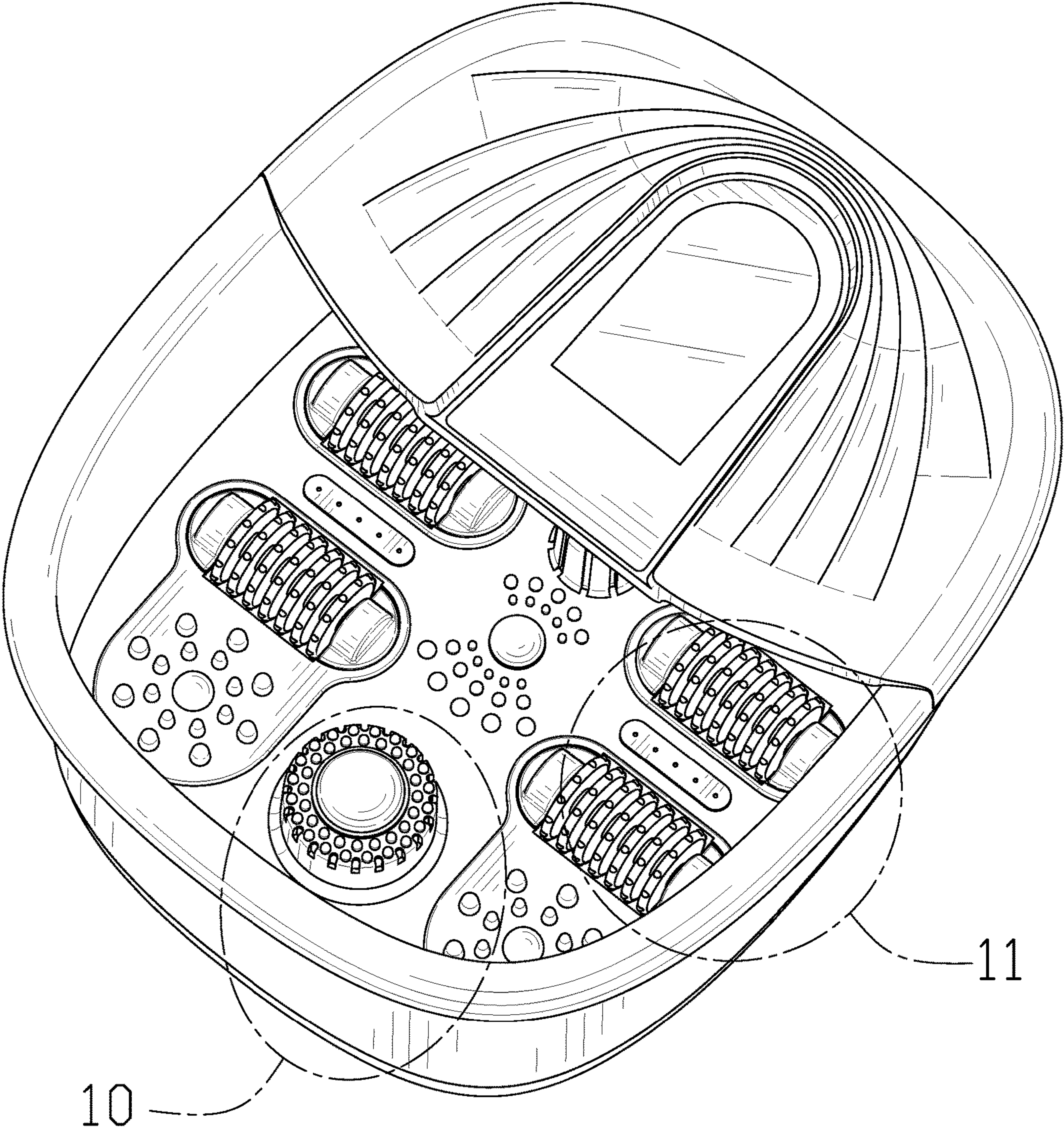


FIG. 2

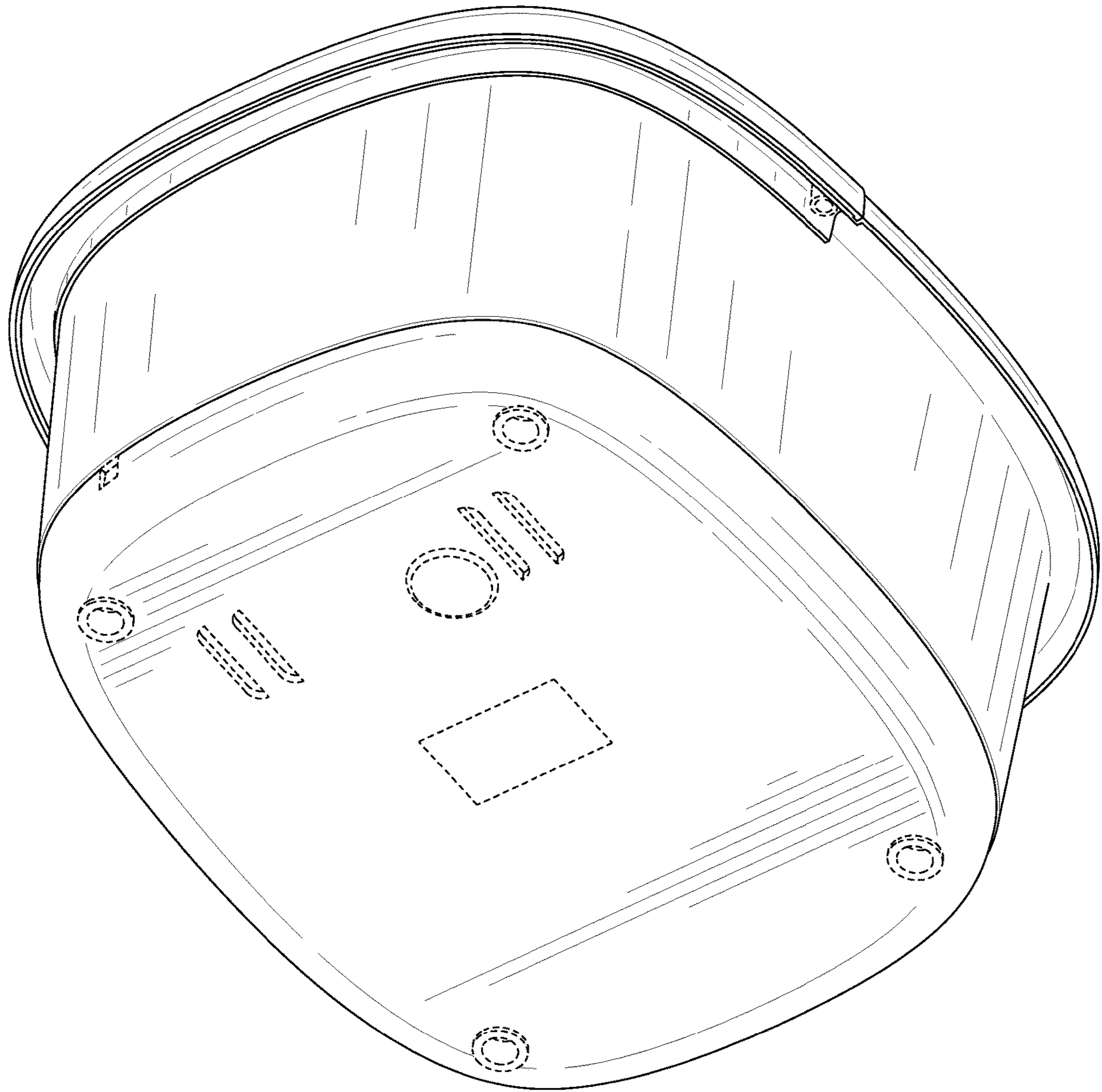


FIG. 3

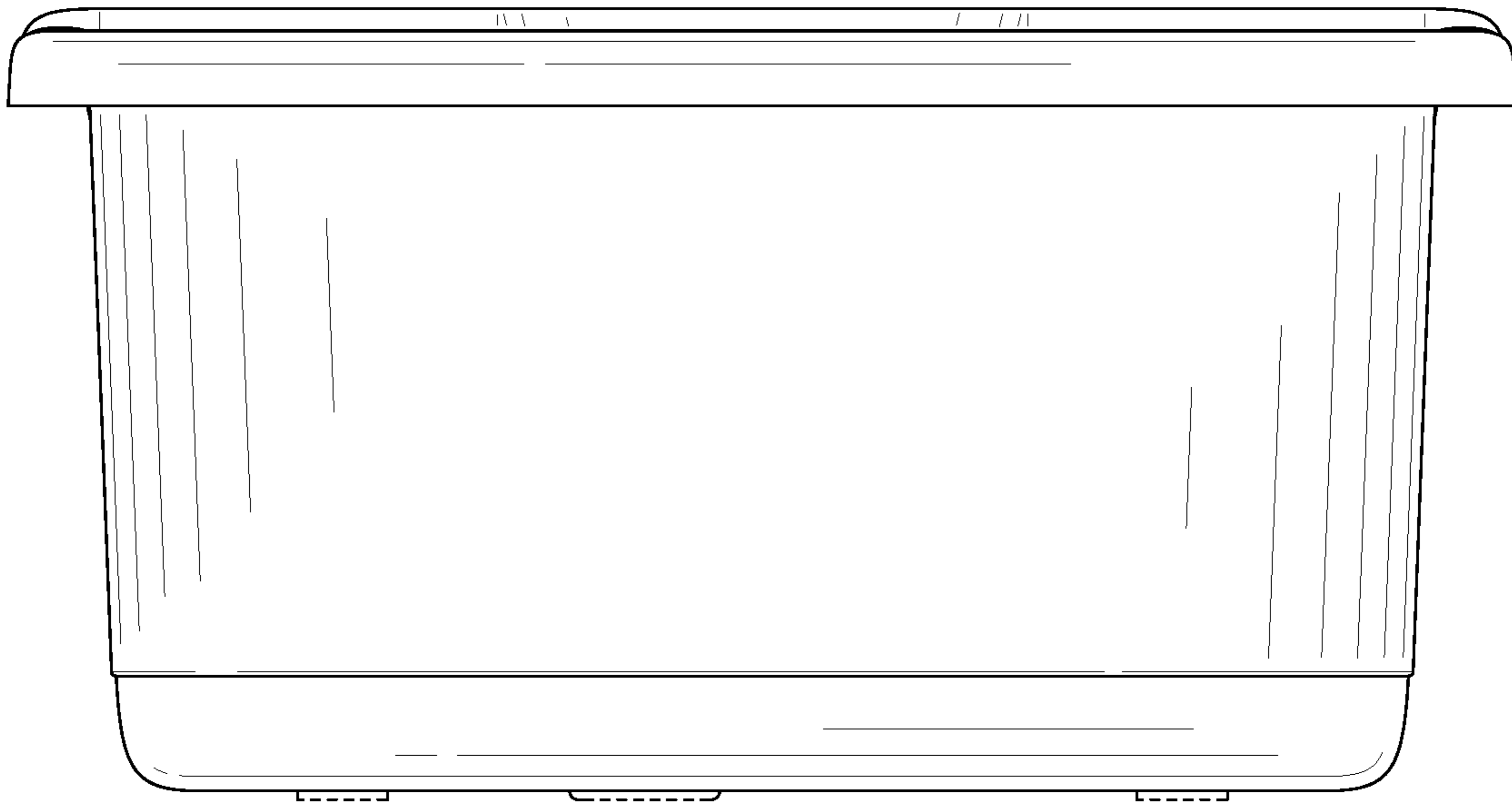


FIG. 4

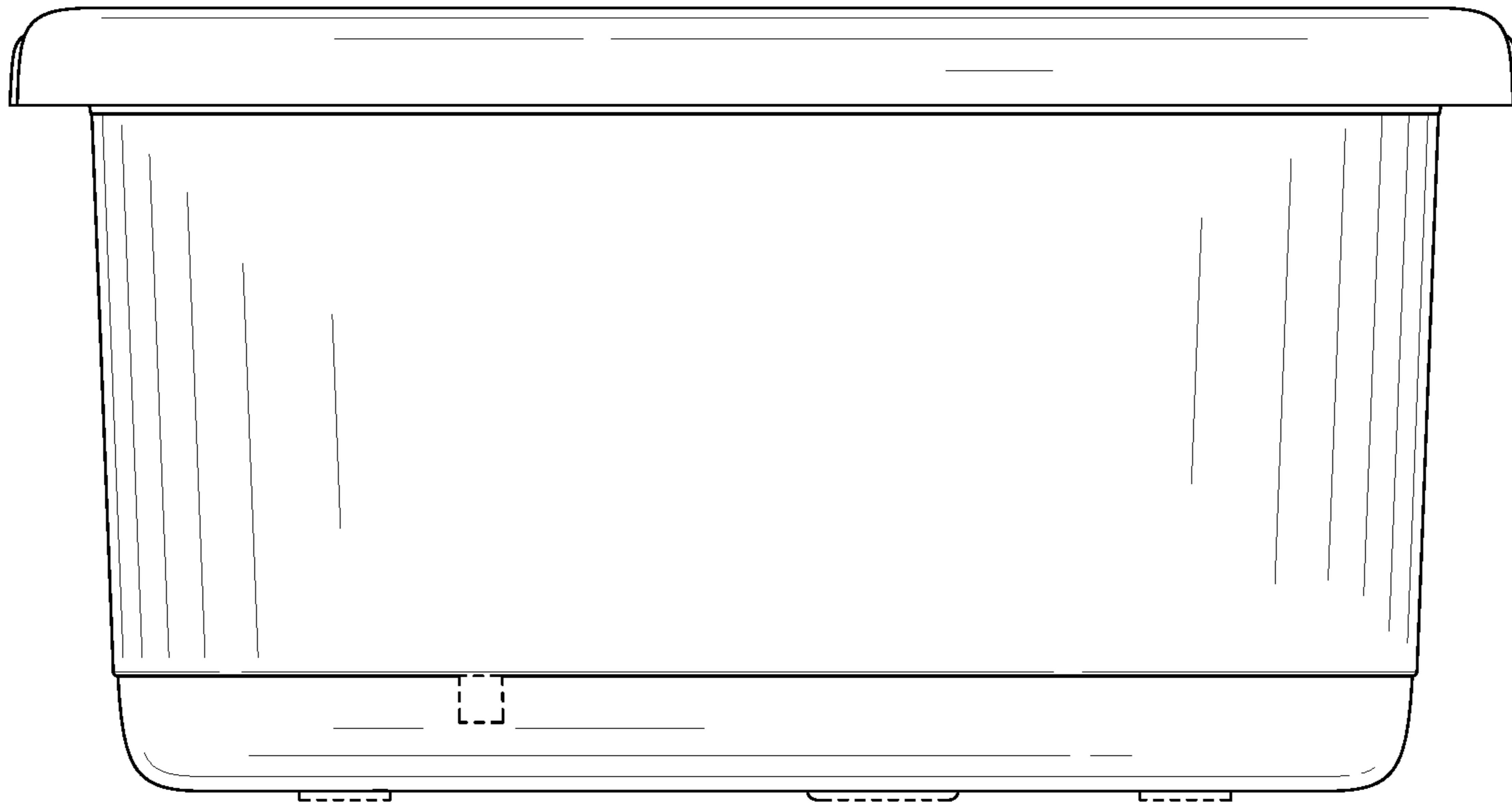


FIG. 5

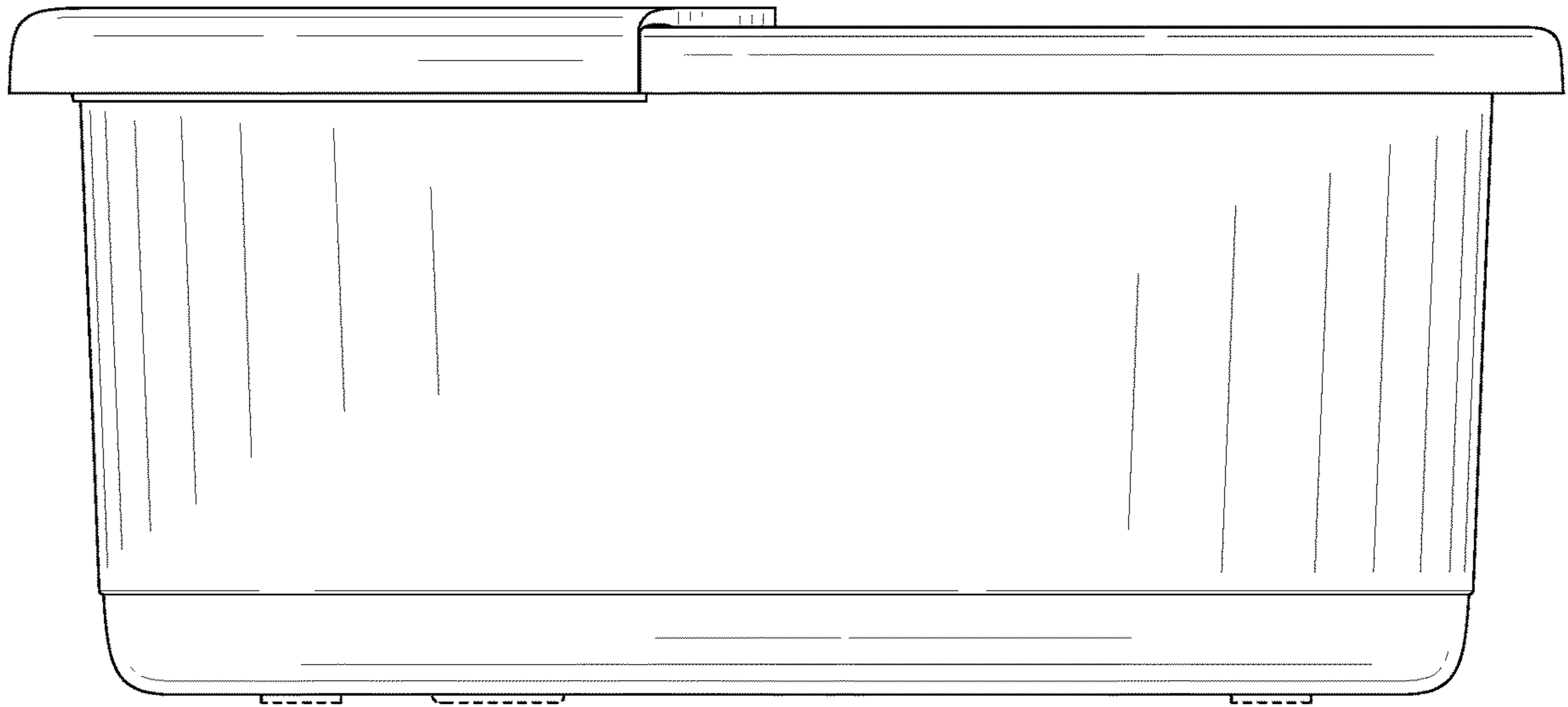


FIG. 6

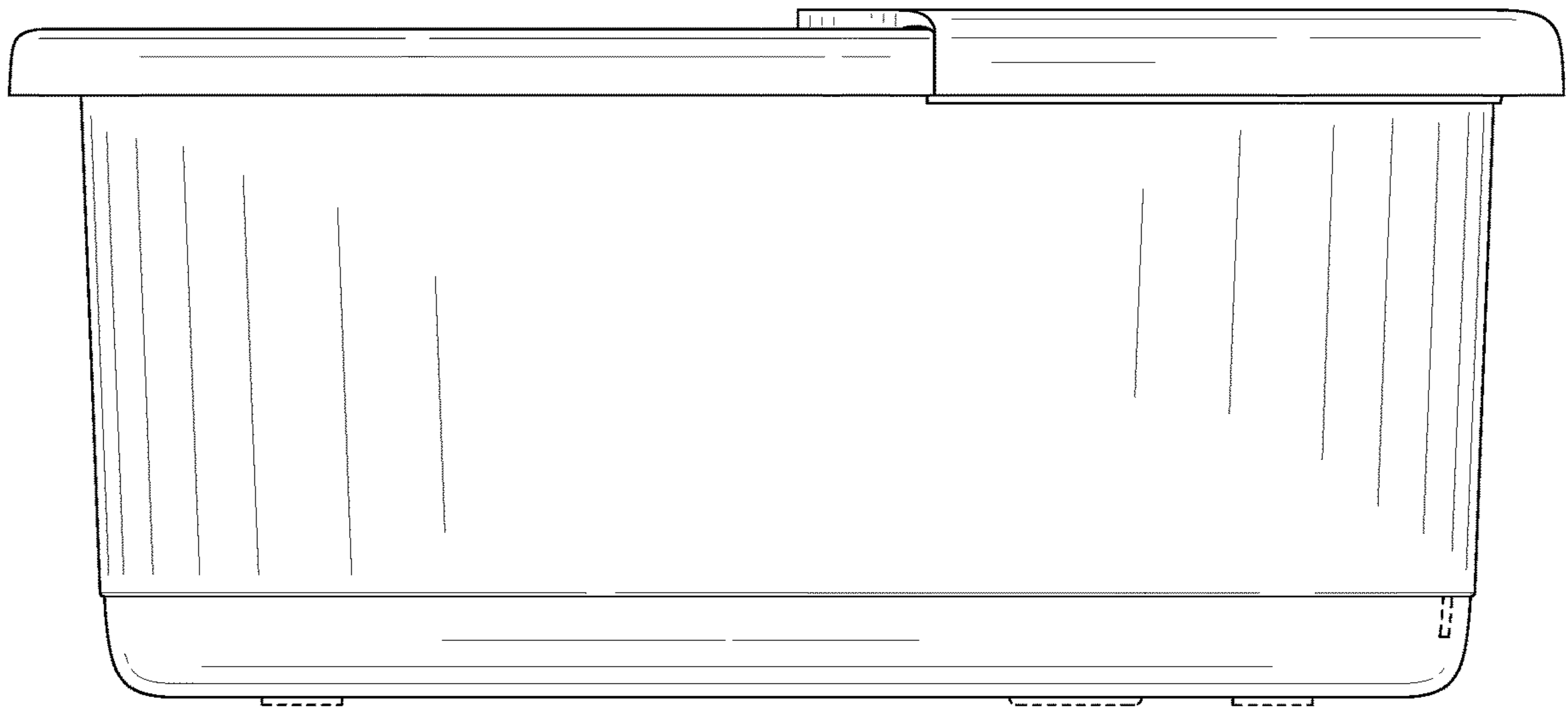


FIG. 7

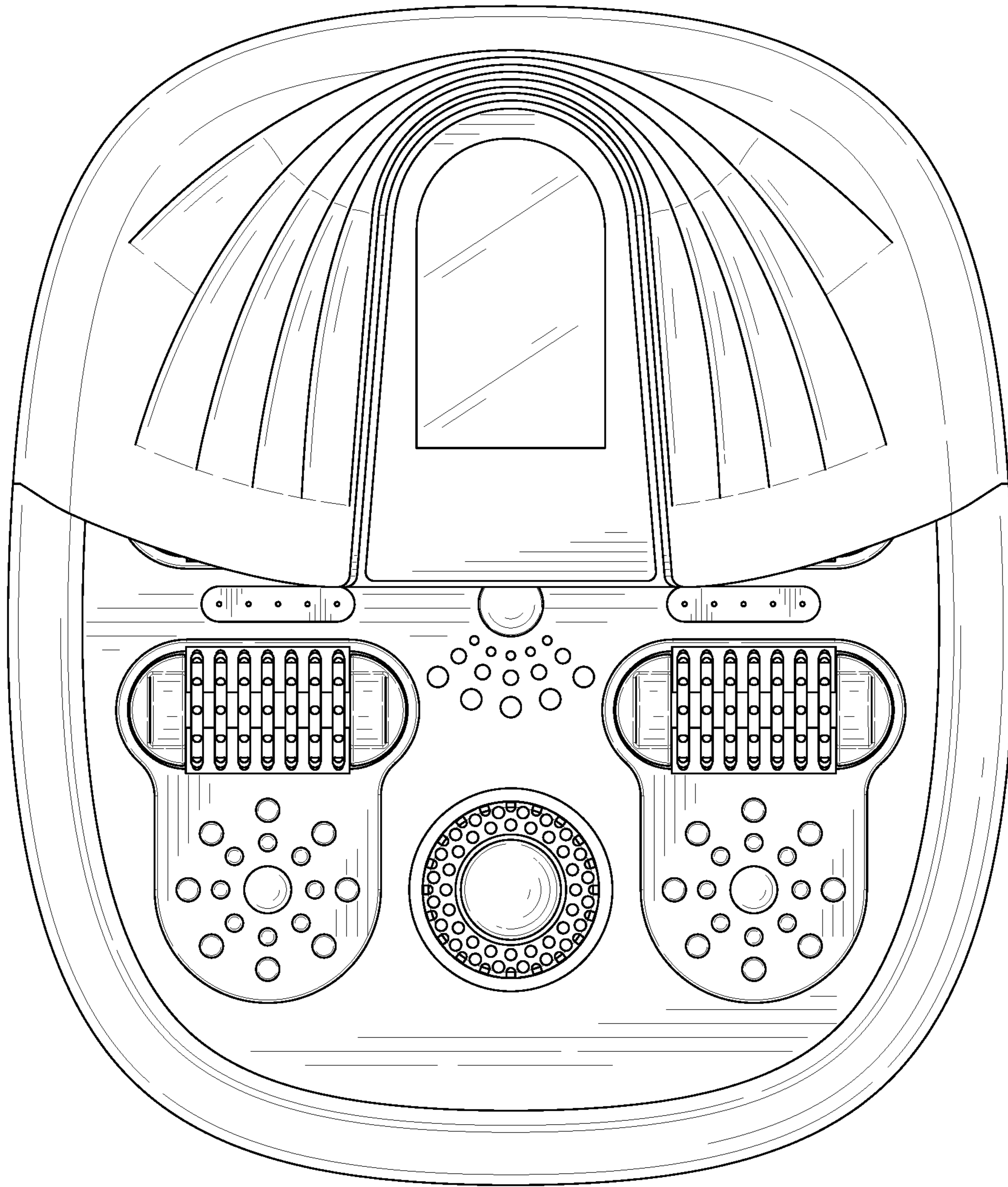


FIG. 8

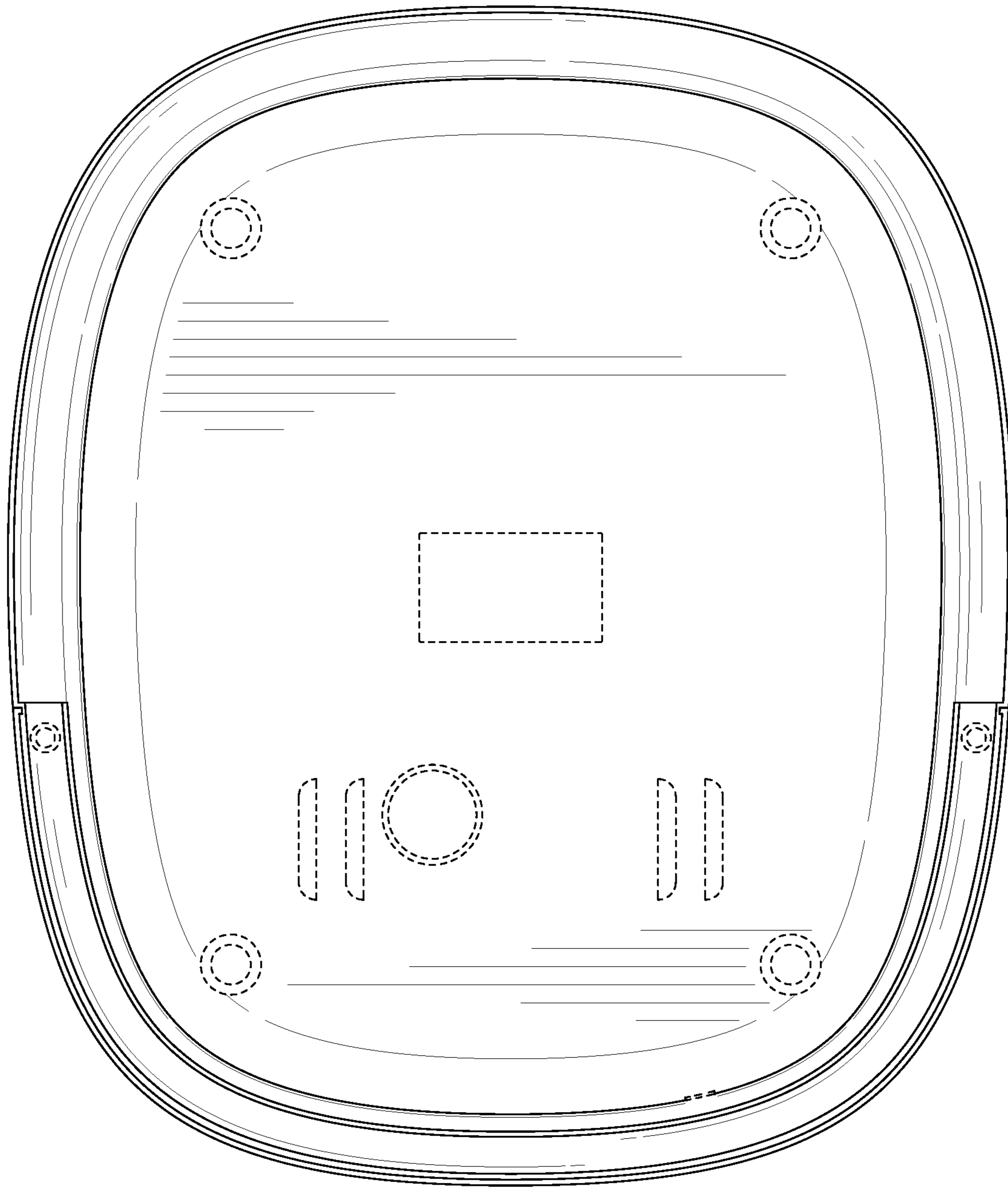


FIG. 9

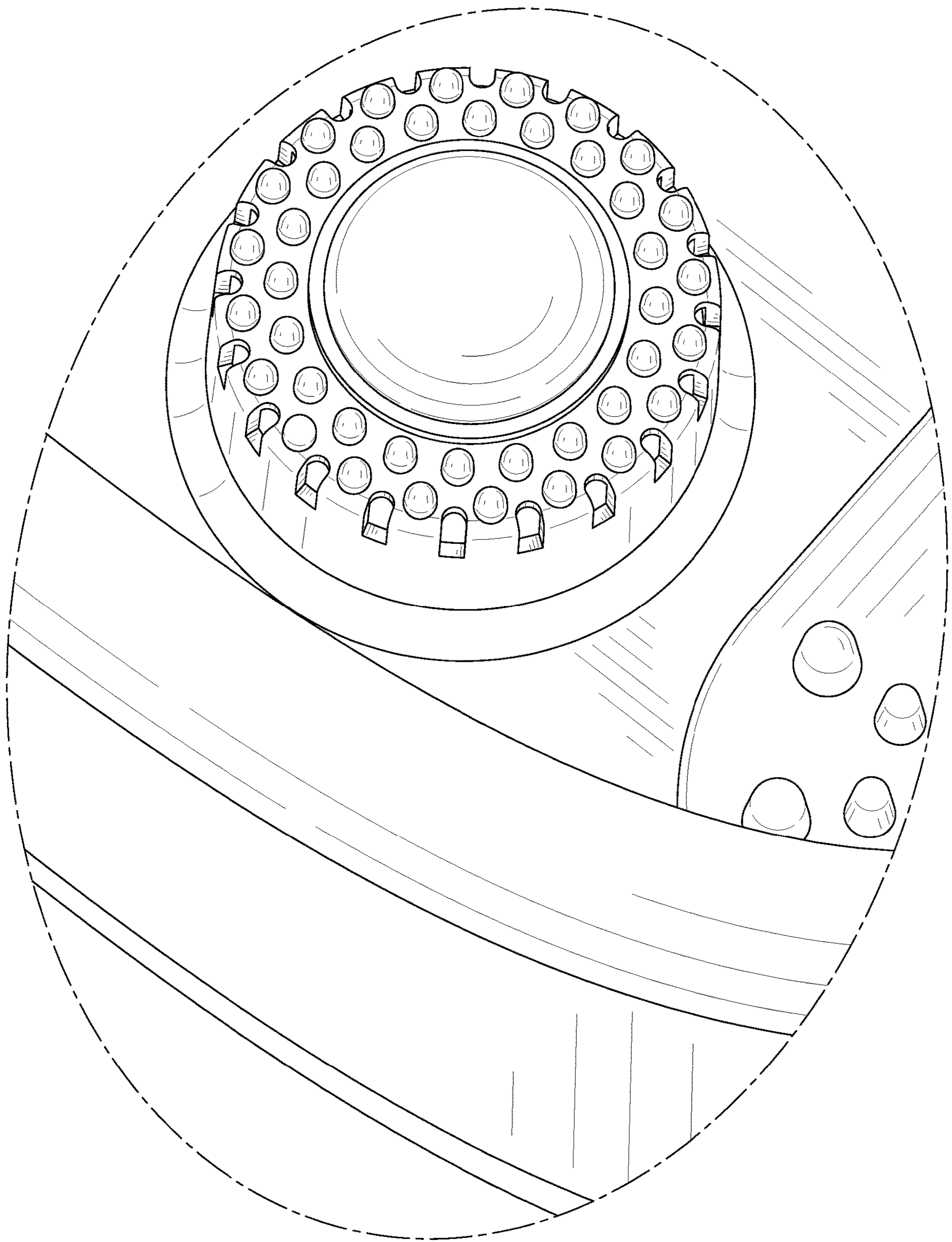


FIG. 10

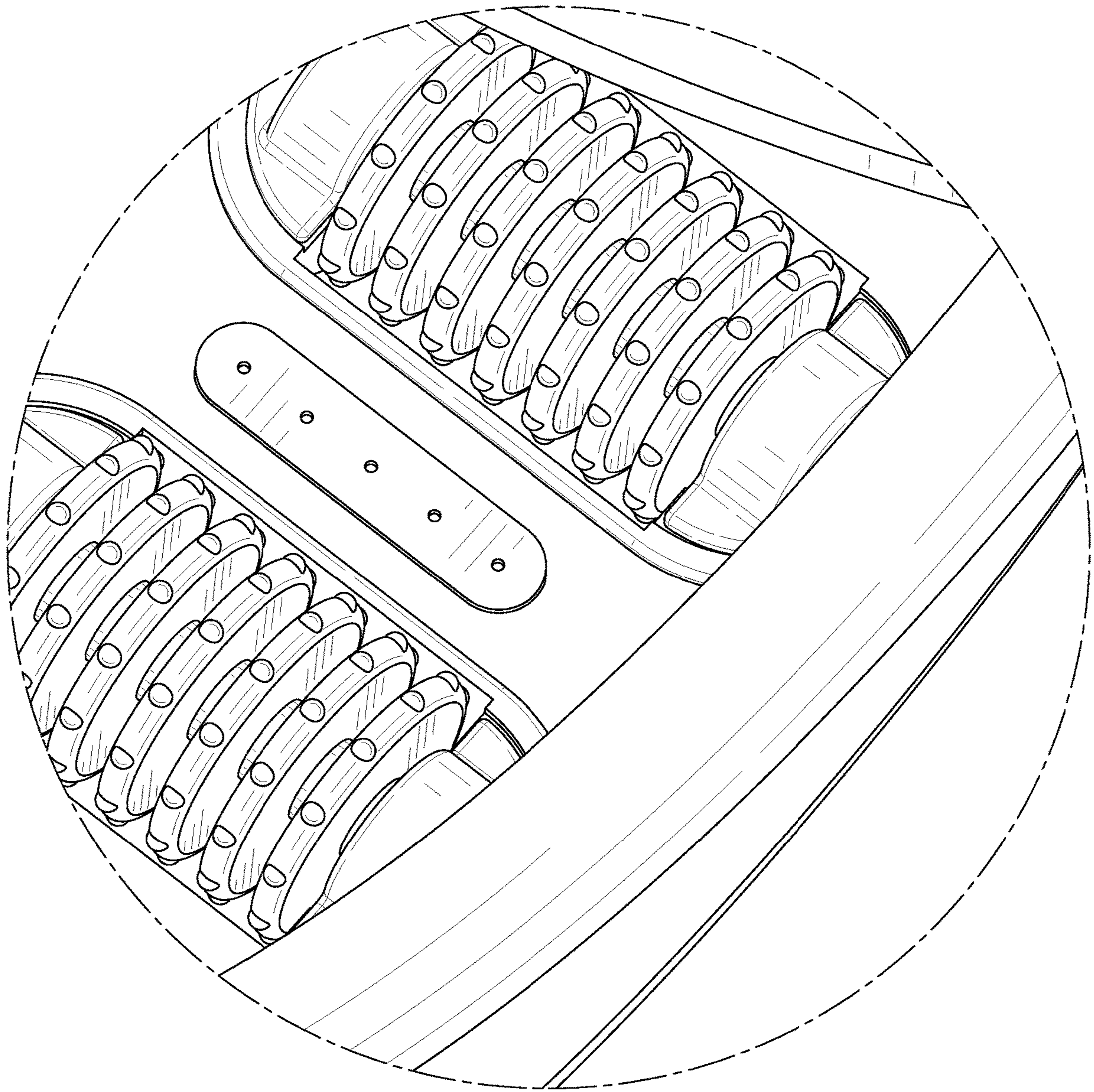


FIG. 11