



US00D963181S

(12) **United States Design Patent** (10) **Patent No.:** **US D963,181 S**
Wersland et al. (45) **Date of Patent:** **** Sep. 6, 2022**

(54) **MASSAGE ROLLER**
(71) Applicant: **Therabody, Inc.**, Los Angeles, CA (US)
(72) Inventors: **Jason Wersland**, Los Angeles, CA (US); **Benjamin Nazarian**, Los Angeles, CA (US); **Jaime Sanchez Solana**, Los Angeles, CA (US); **Eduardo Merino**, Los Angeles, CA (US)
(73) Assignee: **Therabody, Inc.**, Los Angeles, CA (US)
(**) Term: **15 Years**
(21) Appl. No.: **29/812,037**
(22) Filed: **Oct. 19, 2021**

D299,972 S * 2/1989 Moore 401/208
D337,827 S 7/1993 Seng
D361,132 S 8/1995 Lee
D375,578 S 11/1996 Hibri
D660,450 S 5/2012 Johnson
D670,817 S * 11/2012 Narevsky D24/211
D689,155 S 9/2013 Jahns
D693,934 S 11/2013 Lin
D700,346 S 2/2014 Palizzi
D700,709 S 3/2014 Khodabakhshian
D713,050 S 9/2014 Kao
(Continued)

Related U.S. Application Data

(62) Division of application No. 29/726,245, filed on Mar. 2, 2020, now Pat. No. Des. 949,363.
(51) **LOC (13) Cl.** **28-03**
(52) **U.S. Cl.**
USPC **D24/211**
(58) **Field of Classification Search**
USPC D24/200, 211, 212, 213, 214, 215;
D30/160; D12/178
CPC A61H 7/001; A61H 7/007; A61H 7/00;
A61H 15/0092
See application file for complete search history.

References Cited

U.S. PATENT DOCUMENTS

2,546,095 A 3/1951 Gustlin
D243,557 S 3/1977 Kientz
D253,373 S 11/1979 Celeste
D274,649 S 7/1984 Shiu
D279,406 S 6/1985 Shiu

OTHER PUBLICATIONS

Amazon, "Theragun Wave Roller", Sep. 12, 2020. https://www.amazon.com/Theragun-Wave-Roller-Vibrating-Bluetooth/dp/B08HWTGXSQ/ref=cm_cr_ar_p_d_product_top?ie=UTF8. Shown on p. 1. (Year: 2020).

(Continued)

Primary Examiner — Michael A Maharajh
(74) *Attorney, Agent, or Firm* — Sterne, Kessler, Goldstein & Fox P.L.L.C.

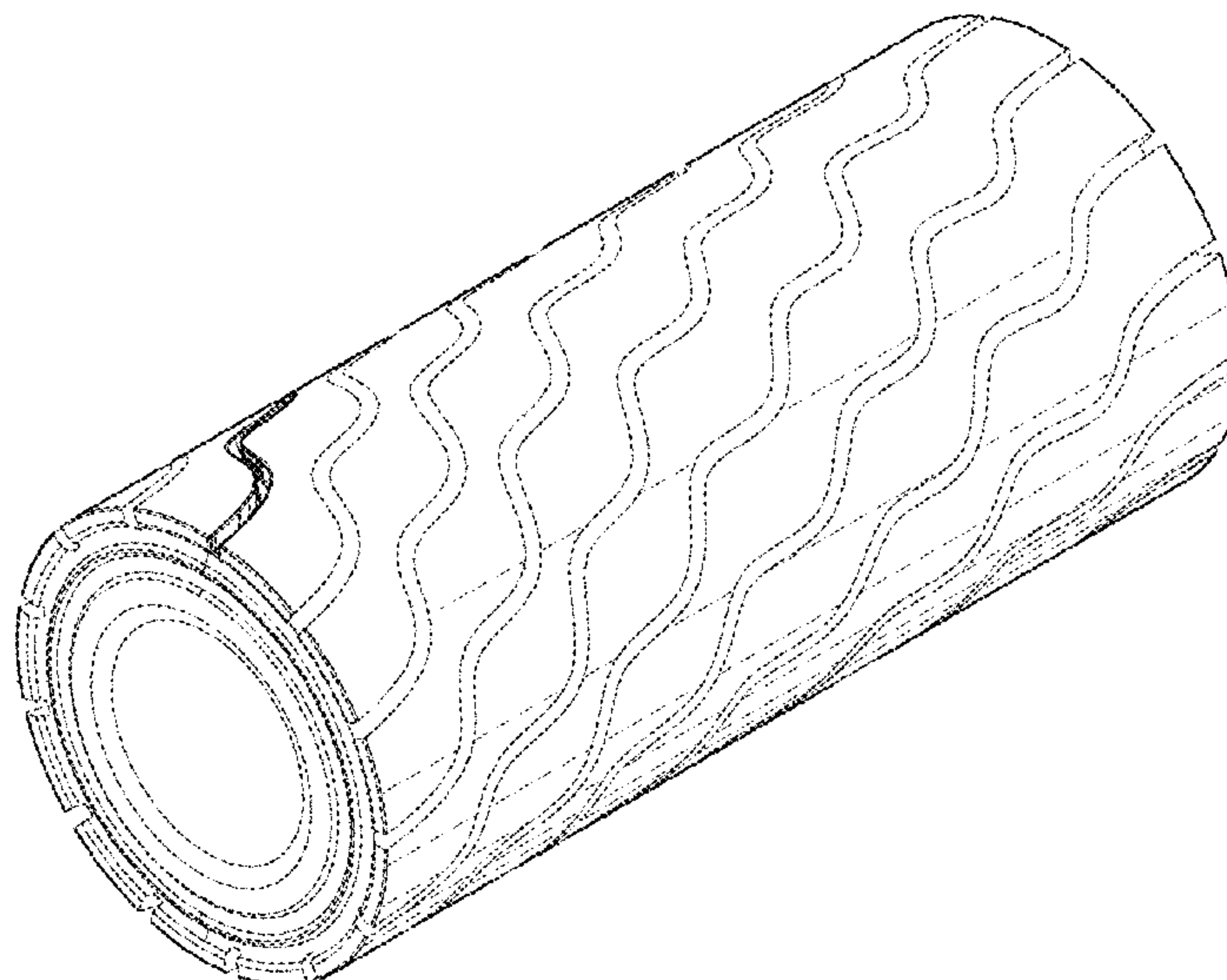
(57) **CLAIM**

The ornamental design for a massage roller, as shown and described.

DESCRIPTION

FIG. 1 is a perspective view of a massage roller, showing our new design;
FIG. 2 is a top plan view thereof;
FIG. 3 is a bottom plan view thereof;
FIG. 4 is a left side elevational view thereof;
FIG. 5 is a right side elevational view thereof;
FIG. 6 is a front elevational view thereof; and,
FIG. 7 is a rear elevational view thereof.
The broken lines shown in the drawings are for the purpose of illustrating portions of the massage roller, which form no part of the claimed design.

1 Claim, 6 Drawing Sheets



(56)

References Cited

U.S. PATENT DOCUMENTS

D721,183 S 1/2015 Mallory
 D736,398 S 8/2015 Kwon
 D737,456 S 8/2015 McDonough
 D749,233 S 2/2016 Phillips
 D755,304 S 5/2016 Ackerman
 D764,066 S 8/2016 Somjee
 D785,103 S 4/2017 Townsend
 D788,313 S 5/2017 Lawrie
 D800,330 S 10/2017 Loos
 D801,400 S 10/2017 Willison
 D805,649 S 12/2017 Mizelle
 D809,612 S 2/2018 Ganea
 D822,772 S 7/2018 Jorgenson
 D825,695 S 8/2018 Kim
 D827,846 S 9/2018 De Nitto
 D829,920 S 10/2018 Carpinelli
 D833,026 S 11/2018 Khodabakhshian
 D833,027 S 11/2018 Viner
 D833,635 S 11/2018 Chen
 D842,486 S 3/2019 Kaoru
 D845,498 S 4/2019 Johnson
 D849,338 S 5/2019 Becattini
 D863,579 S 10/2019 Wang
 D863,583 S 10/2019 Carpinello
 D871,685 S 12/2019 McMillan
 D872,387 S 1/2020 Crane
 D876,657 S 2/2020 Lin
 10,561,923 B1 2/2020 Harvey
 D882,805 S 4/2020 Lien

D884,804 S 5/2020 Ross
 D886,314 S 6/2020 Morris
 D887,094 S 6/2020 Ruan
 D903,890 S * 12/2020 Spratt D24/215
 D906,447 S 12/2020 Benton
 D911,480 S 2/2021 Lin
 D912,336 S 3/2021 Crouch
 D914,225 S 3/2021 Mills
 D915,613 S 4/2021 Durfee
 D915,614 S 4/2021 Nichols
 D919,107 S 5/2021 Huang
 D921,213 S 6/2021 Delgado
 D924,417 S 7/2021 Davis
 D925,750 S 7/2021 Che
 D927,711 S 8/2021 Guerizec
 D929,675 S 8/2021 Wilhelm
 D929,676 S 8/2021 Jackson
 D929,677 S 8/2021 Toolan
 2016/0279009 A1 9/2016 Somjee
 2016/0331628 A1 11/2016 Kuo
 2018/0289581 A1 * 10/2018 Zook A61H 1/00
 2018/9289581 10/2018 Zook
 2019/0110947 A1 4/2019 Ekema

OTHER PUBLICATIONS

Youtube, "Theragun Wave Roller Review", Aug. 5, 2020. Shown on p. 1. (Year: 2020).
 Therabody, "Wave Roller", Sep. 9, 2021. <https://www.therabody.com/us/en-us/wave-roller-us.html>. Shown on p. 1.(Year: 2021).

* cited by examiner

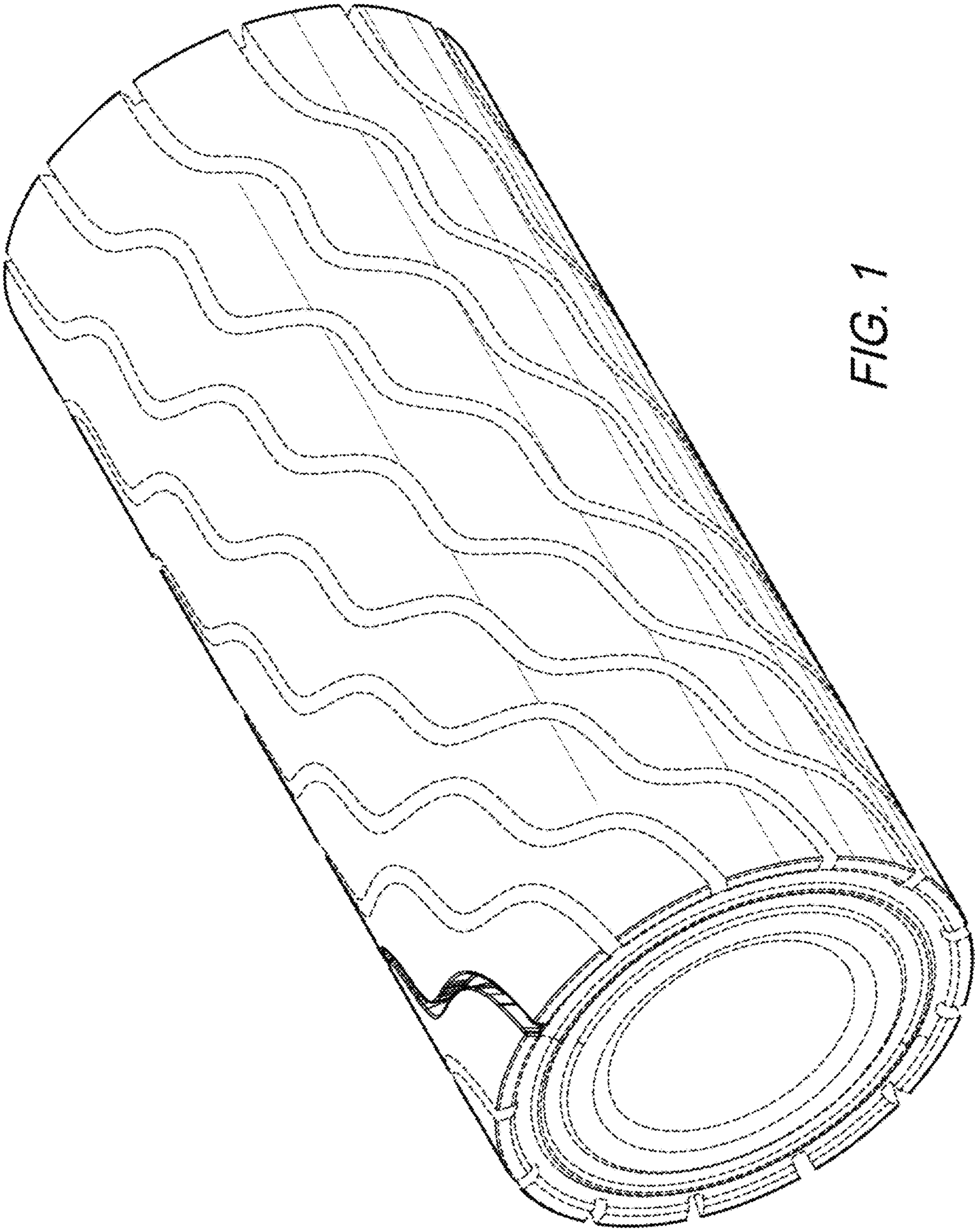


FIG. 1

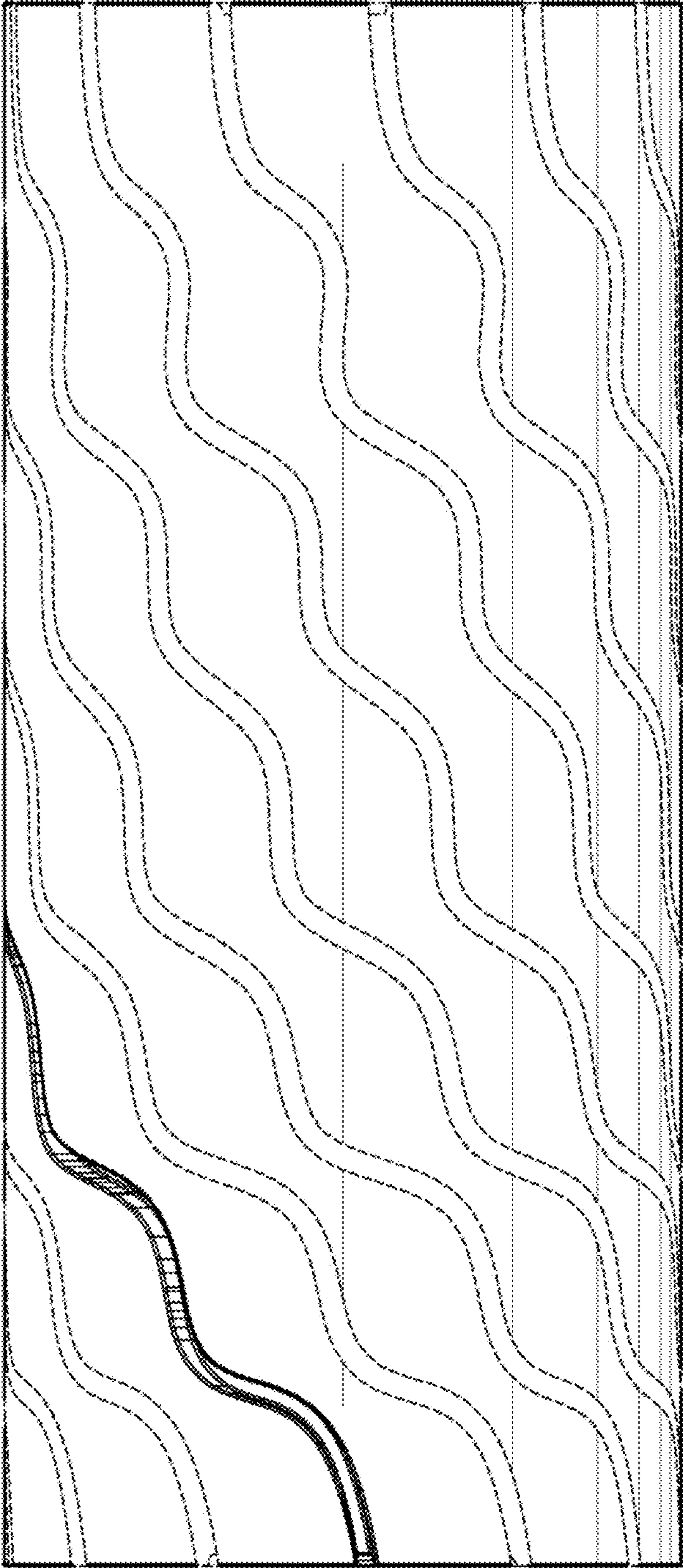


FIG. 2

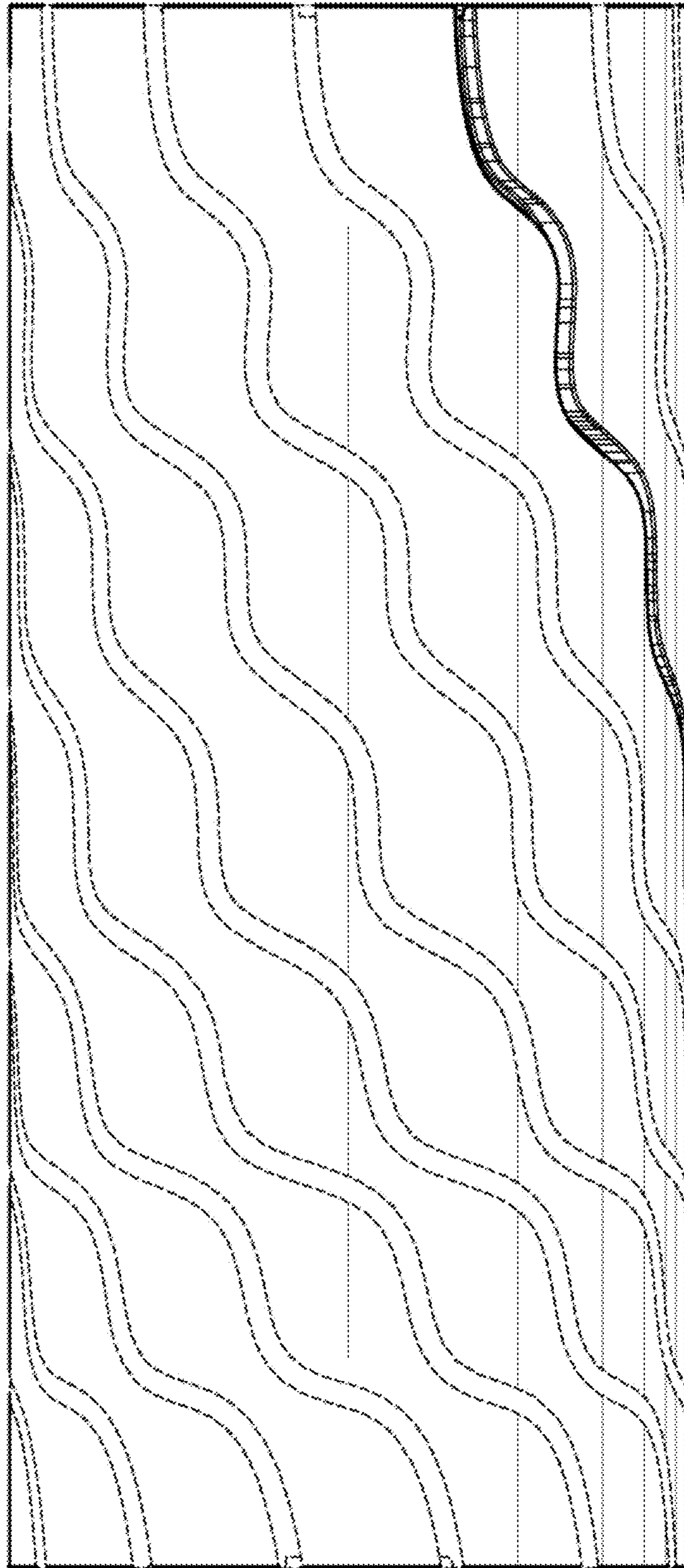


FIG. 3

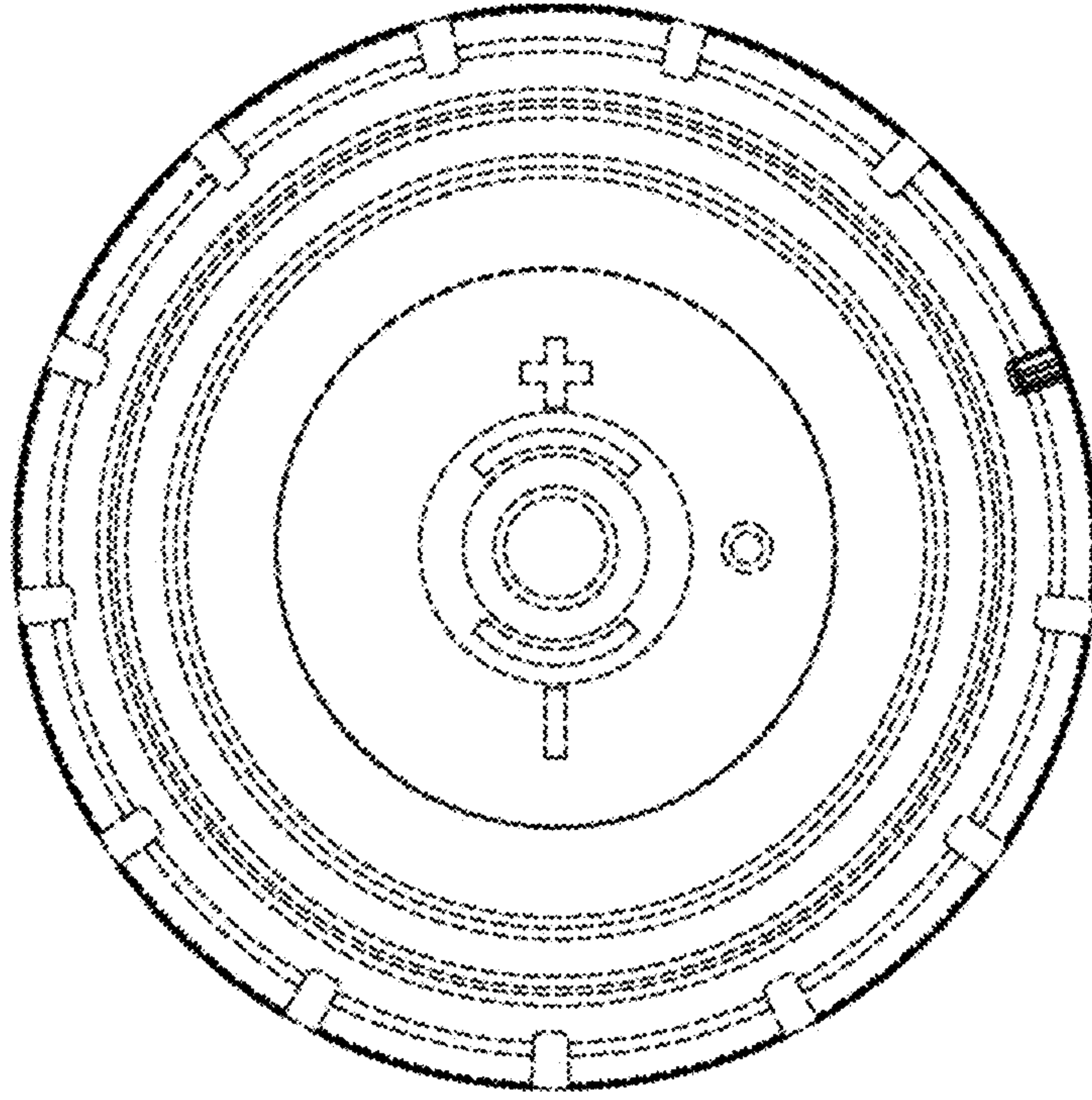


FIG. 5

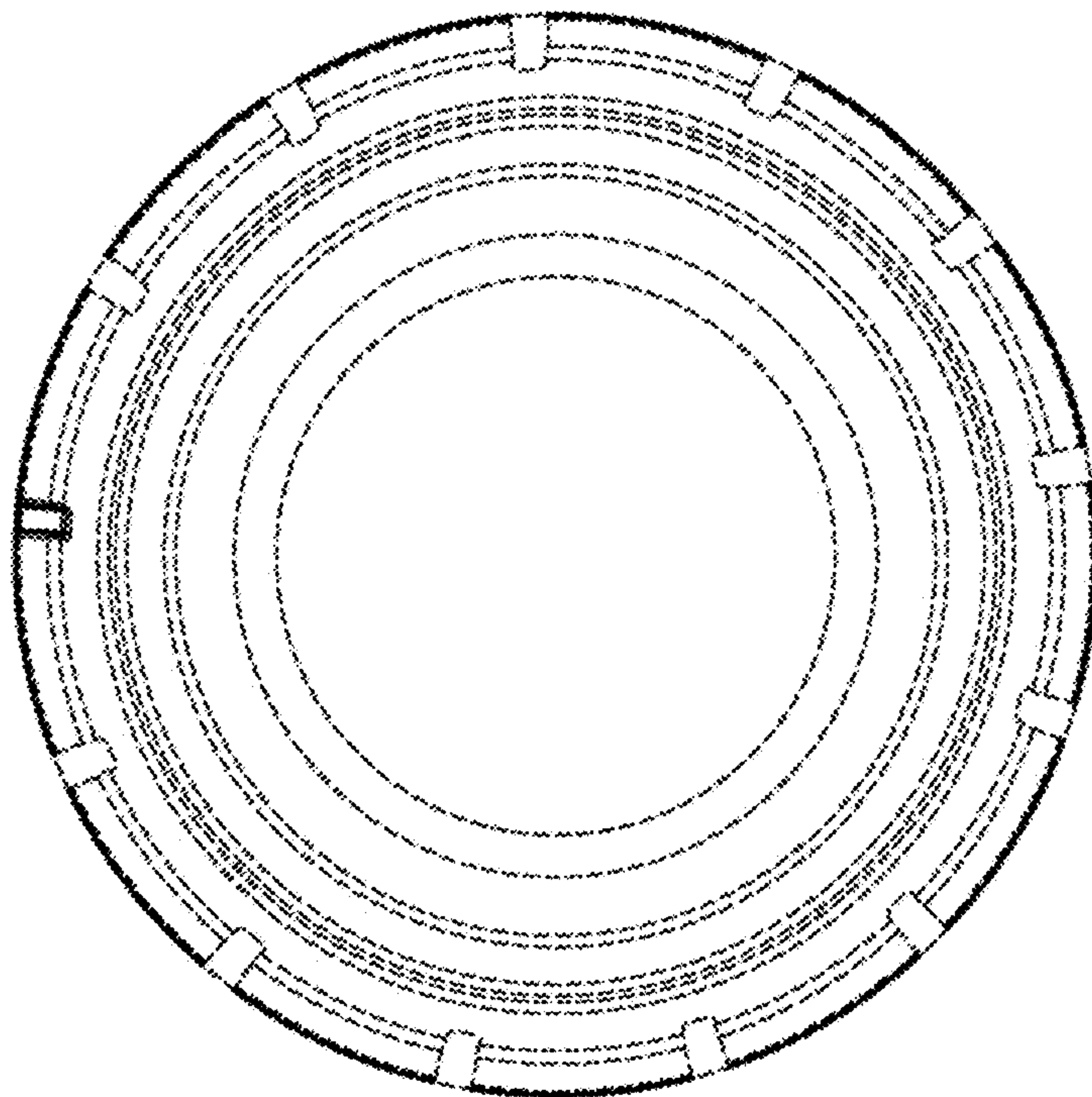


FIG. 4

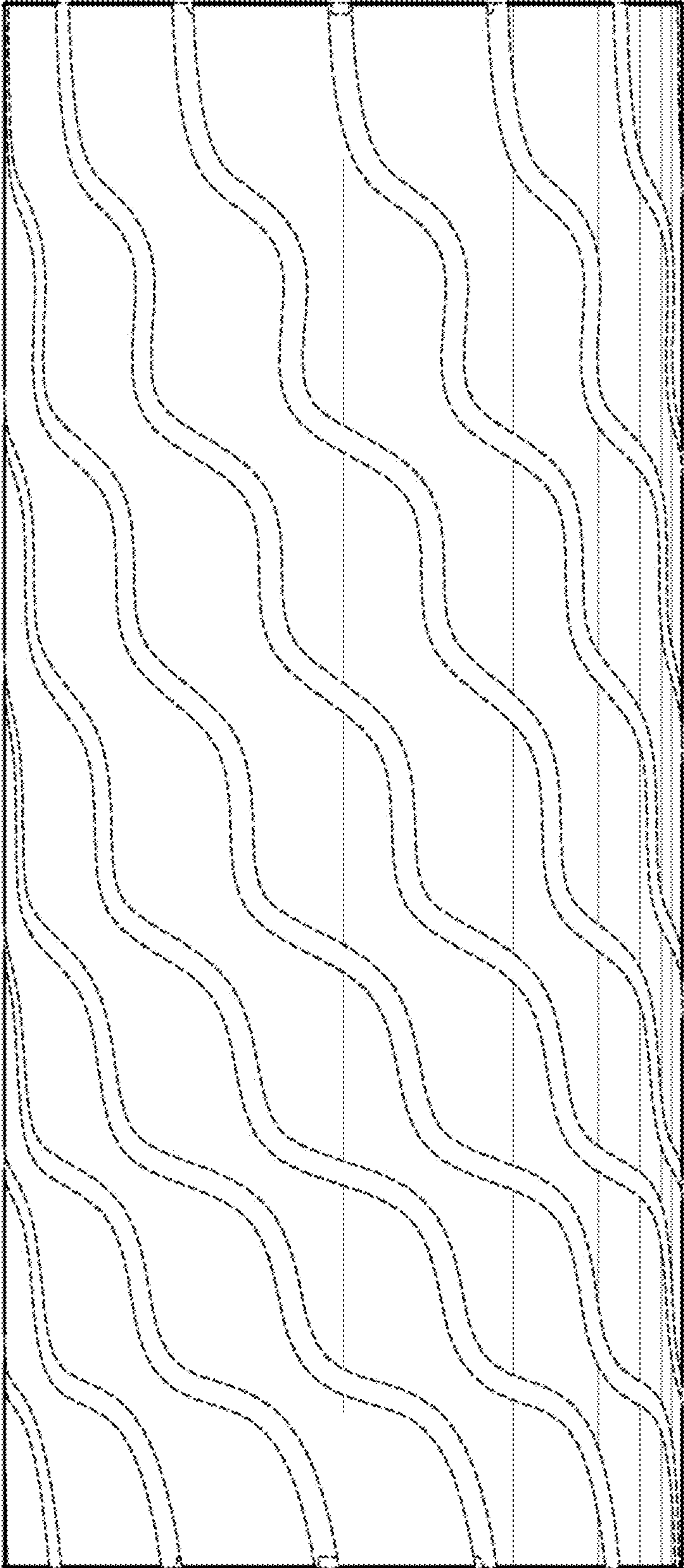


FIG. 6

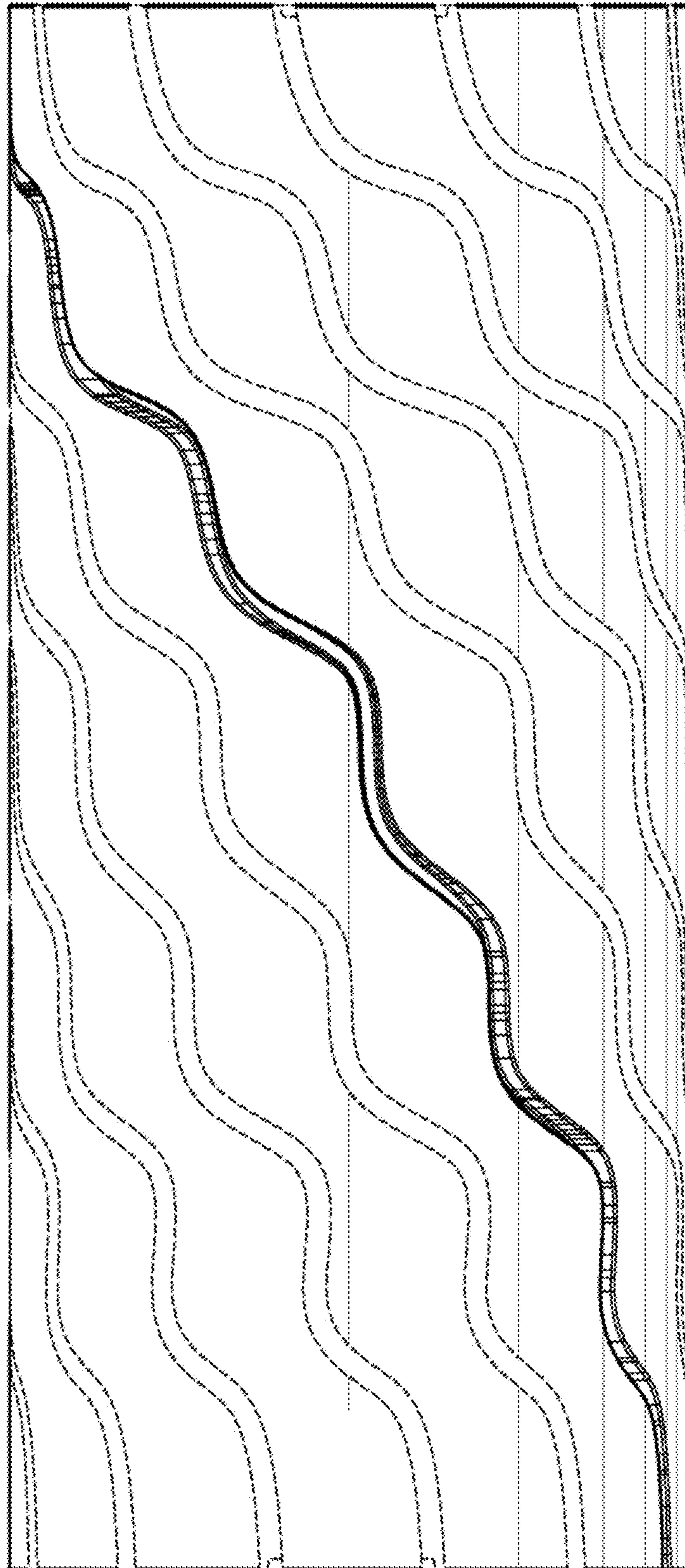


FIG. 7