



US00D963178S

(12) **United States Design Patent** (10) **Patent No.:** **US D963,178 S**
Jin (45) **Date of Patent:** **** Sep. 6, 2022**

(54) **FULL FACE SKIN DETECTOR**
(71) Applicant: **Shenzhen Moreme Smart Tech Co., Ltd, Shenzhen (CN)**
(72) Inventor: **Bo Jin, Shenzhen (CN)**
(**) Term: **15 Years**
(21) Appl. No.: **29/774,631**
(22) Filed: **Mar. 18, 2021**
(51) **LOC (13) Cl.** **28-03**
(52) **U.S. Cl.**
USPC **D24/209**
(58) **Field of Classification Search**
USPC D24/158, 185, 186, 187, 200, 209, 210;
D26/104, 106, 107
CPC A61B 5/441; A61B 5/442; A61B 5/0531;
A61B 5/0533; A61B 5/0537; A61B
5/0077
See application file for complete search history.

2015/0156298 A1* 6/2015 Ikemoto A61B 5/6898
455/556.1
2017/0249436 A1* 8/2017 Miller A61B 5/442
2019/0183420 A1* 6/2019 Shenfarber A42B 3/042
2020/0342213 A1* 10/2020 Dissanayake A45D 44/005
2021/0183058 A1* 6/2021 Oh A61B 5/0077

FOREIGN PATENT DOCUMENTS

CN 201630134270 * 11/2016
CN 201630489851 * 2/2017
CN 201930087709.3 * 8/2019
CN 202030410017.0 * 12/2020

* cited by examiner

Primary Examiner — Anhdao Doan

(57) **CLAIM**

The ornamental design for a full face skin detector, as shown and described.

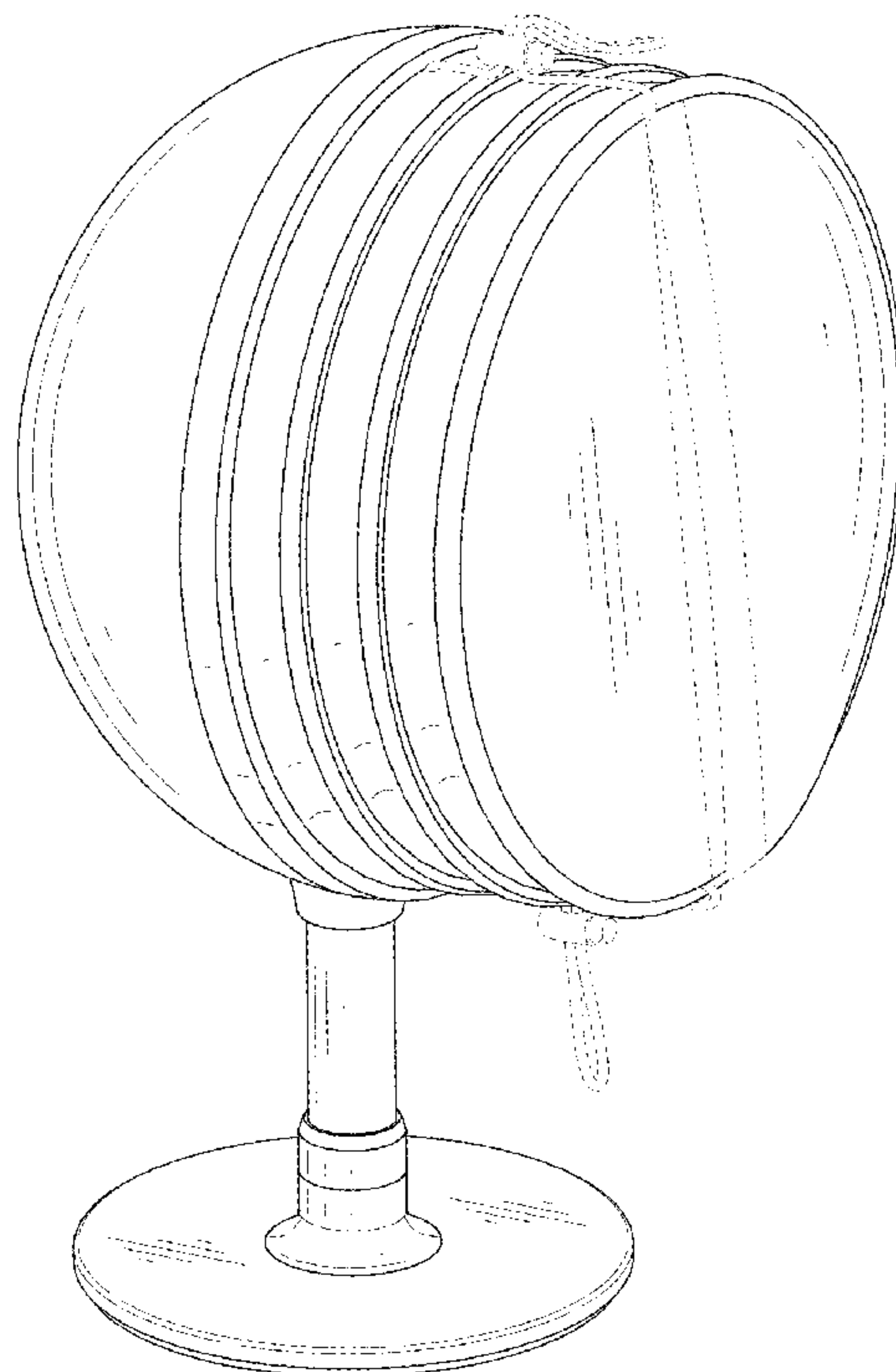
DESCRIPTION

FIG. 1 is a first perspective view of a full face skin detector showing my new design;
FIG. 2 is a second perspective view thereof;
FIG. 3 is a front view thereof;
FIG. 4 is a back view thereof;
FIG. 5 is a left side view thereof;
FIG. 6 is a right side view thereof;
FIG. 7 is a top view thereof;
FIG. 8 is a bottom view thereof; and,
FIG. 9 is an enlarged view of the selected portion in FIG. 2.
The broken lines shown in the drawings depict portions of the full face skin detector in which the design is embodied that form no part of the claimed design.

1 Claim, 9 Drawing Sheets

(56) **References Cited**
U.S. PATENT DOCUMENTS

D547,437 S 7/2007 Asai
D548,326 S 8/2007 Asai
D557,403 S 12/2007 Asai
D621,515 S * 8/2010 Chua D24/186
D629,113 S * 12/2010 Wodecki D24/186
D740,431 S * 10/2015 Fischler D24/209
D762,863 S * 8/2016 Kim D24/186
D835,291 S * 12/2018 Lei D24/209
D844,792 S * 4/2019 Choe D24/186
D857,219 S * 8/2019 Chew D24/210
D905,260 S * 12/2020 Shenfarber D24/209



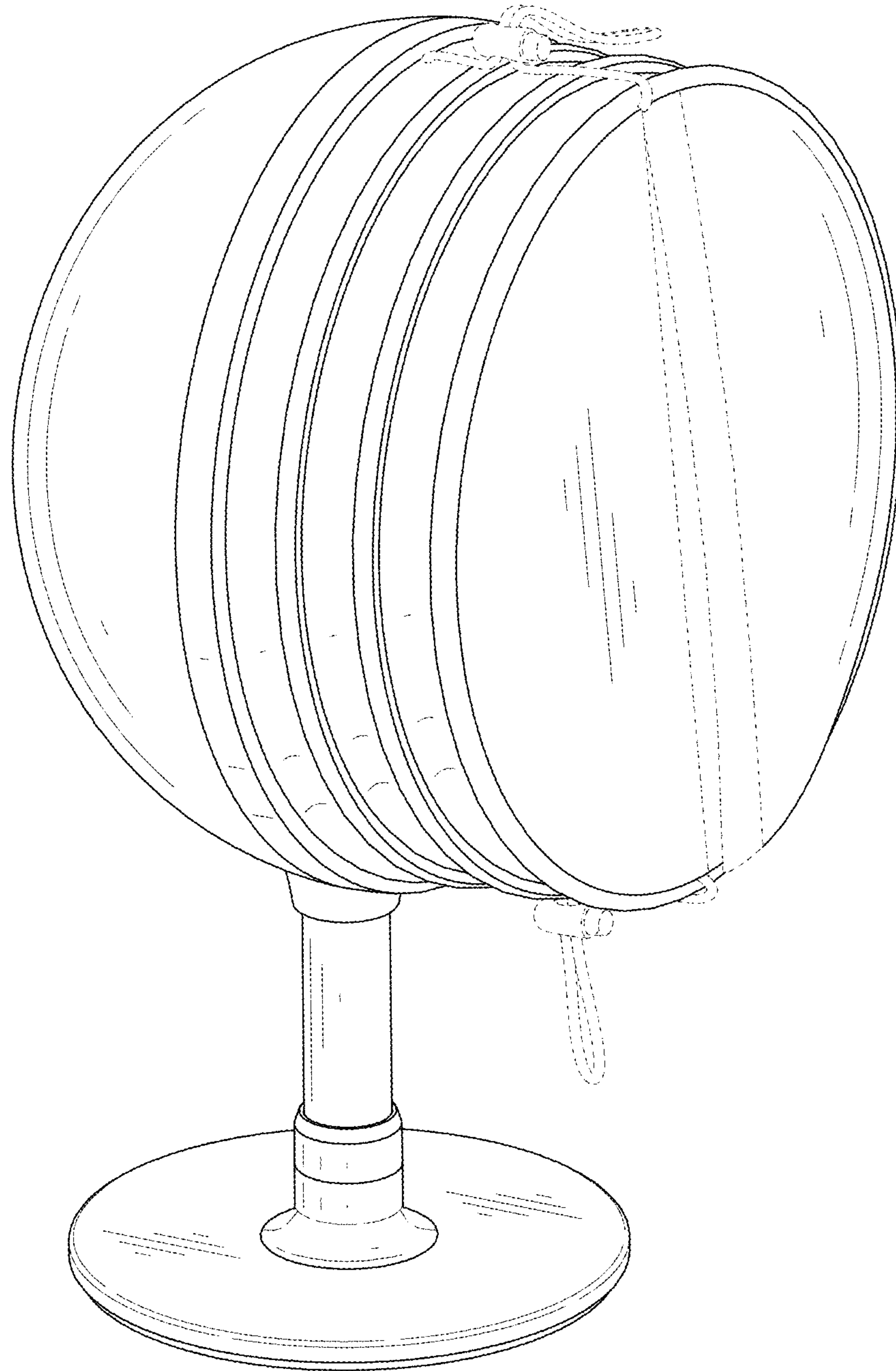


FIG. 1

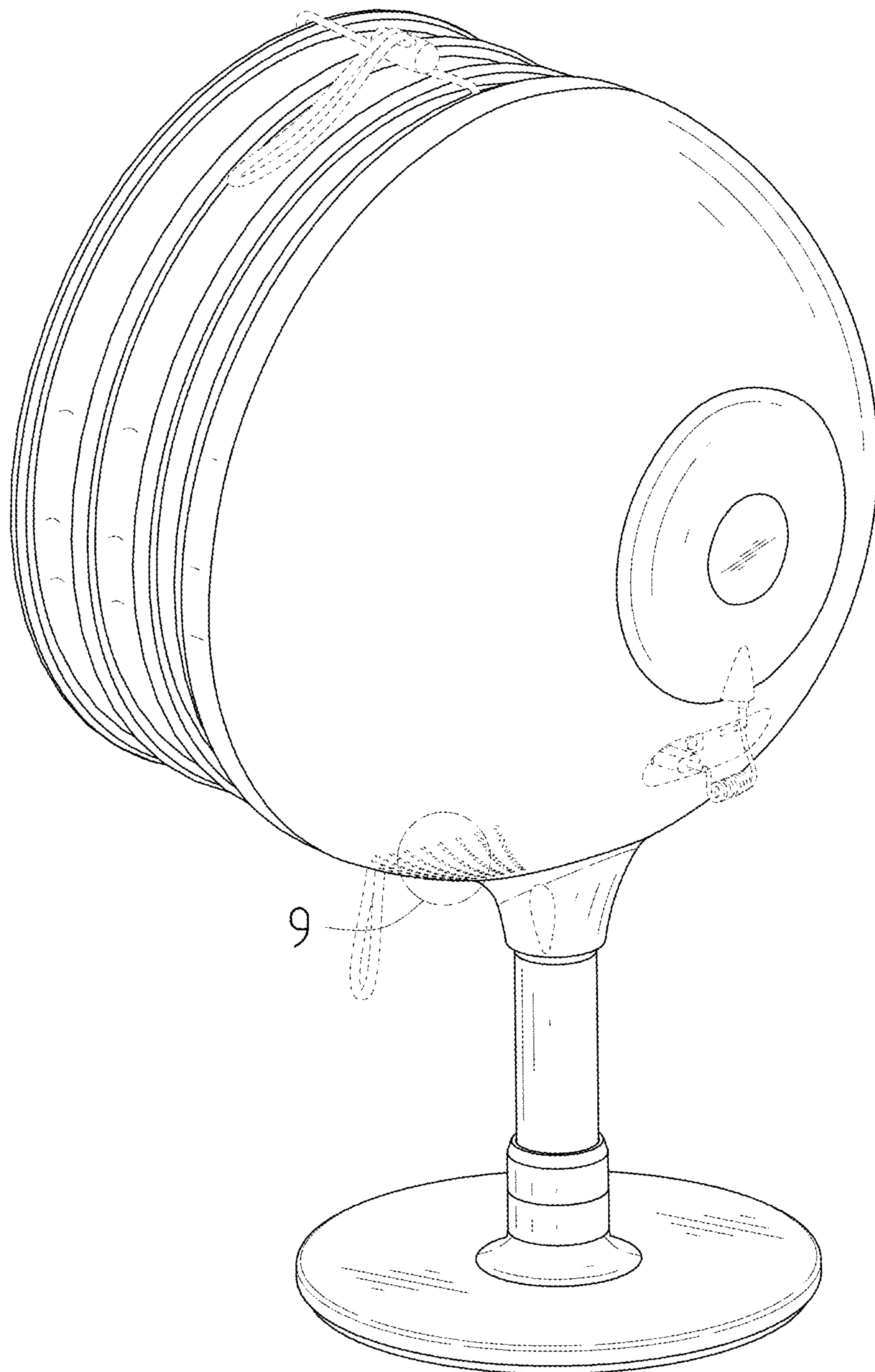


FIG. 2

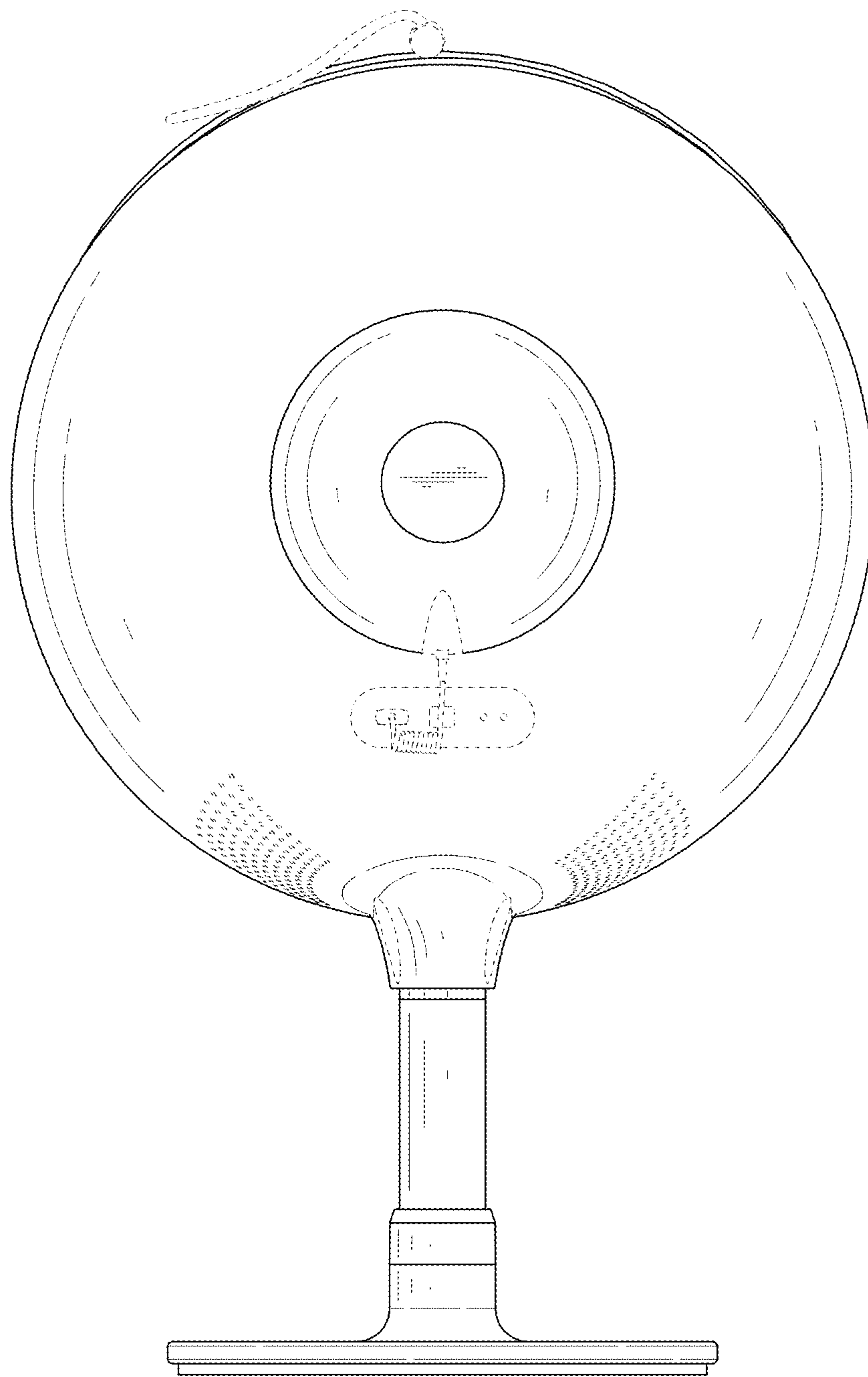


FIG. 3

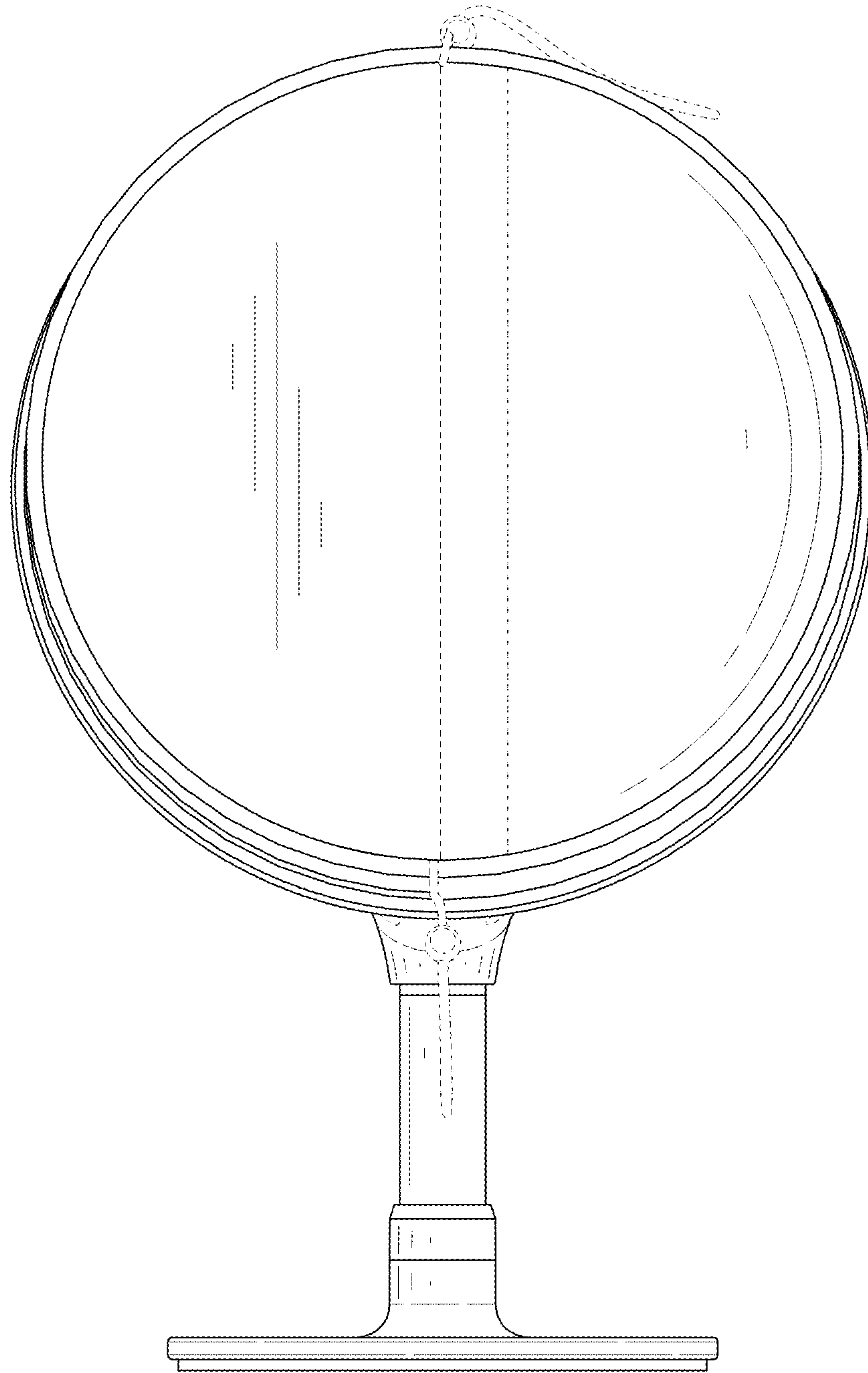


FIG. 4

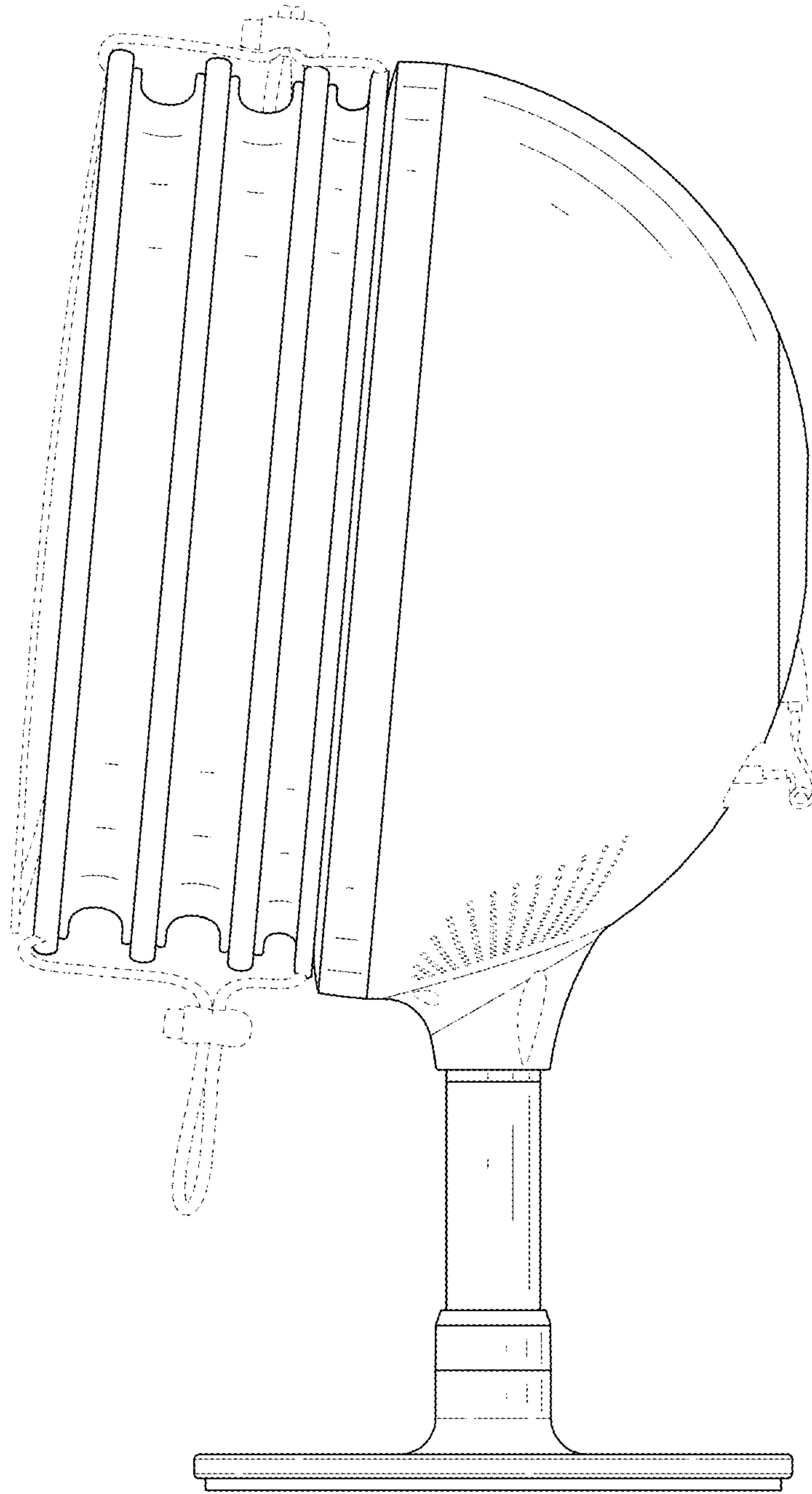


FIG. 5

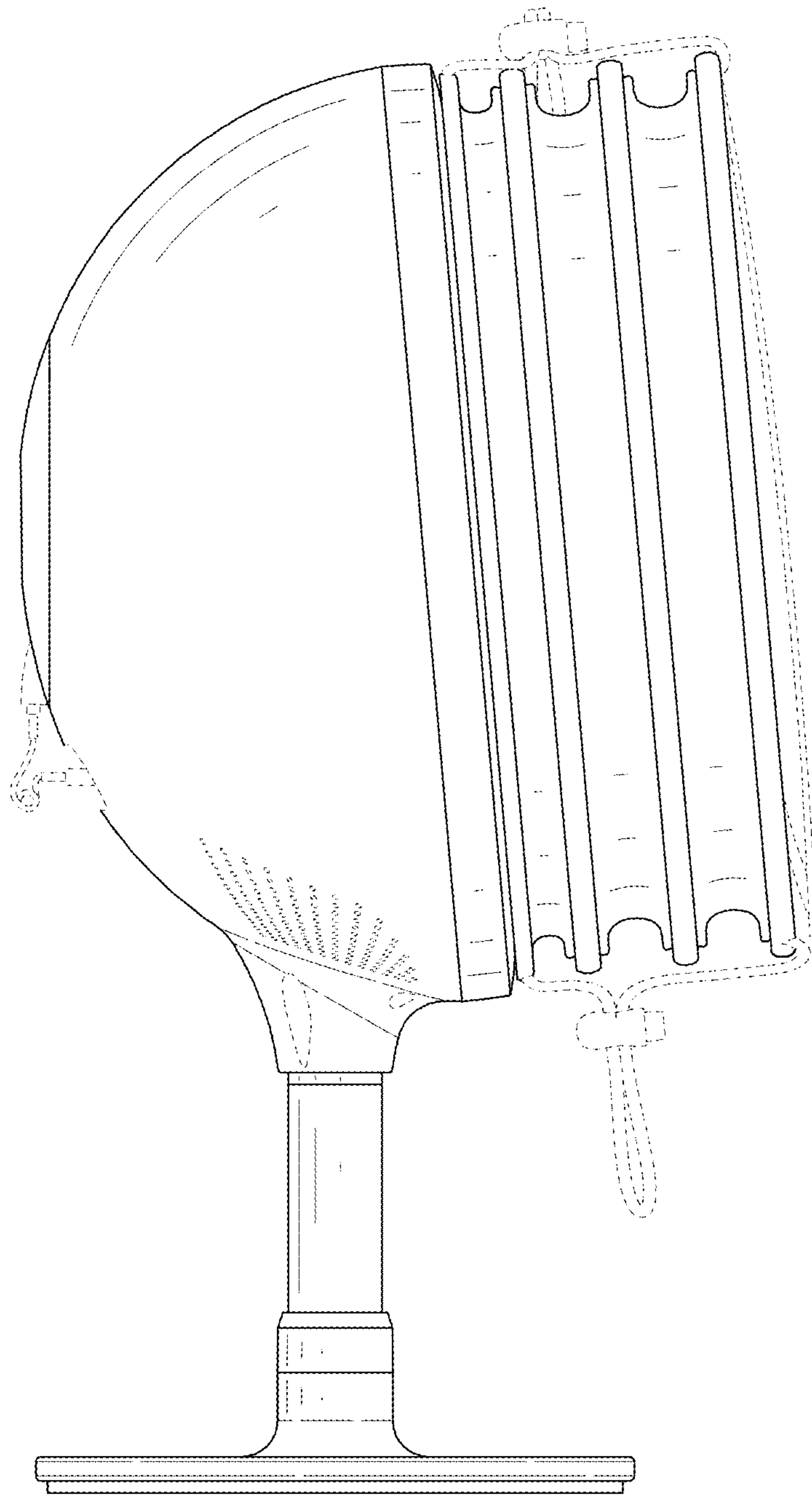


FIG. 6

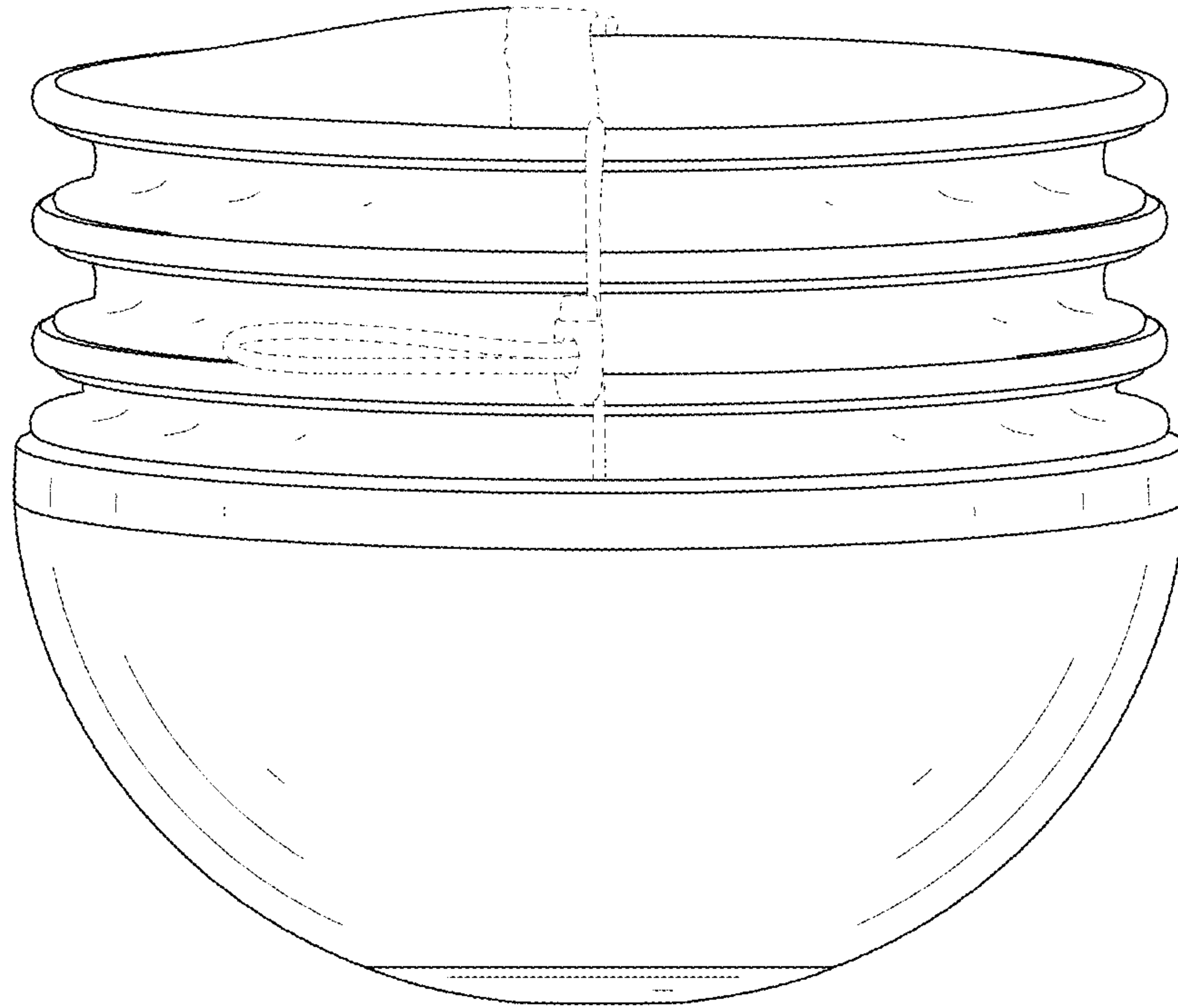


FIG. 7

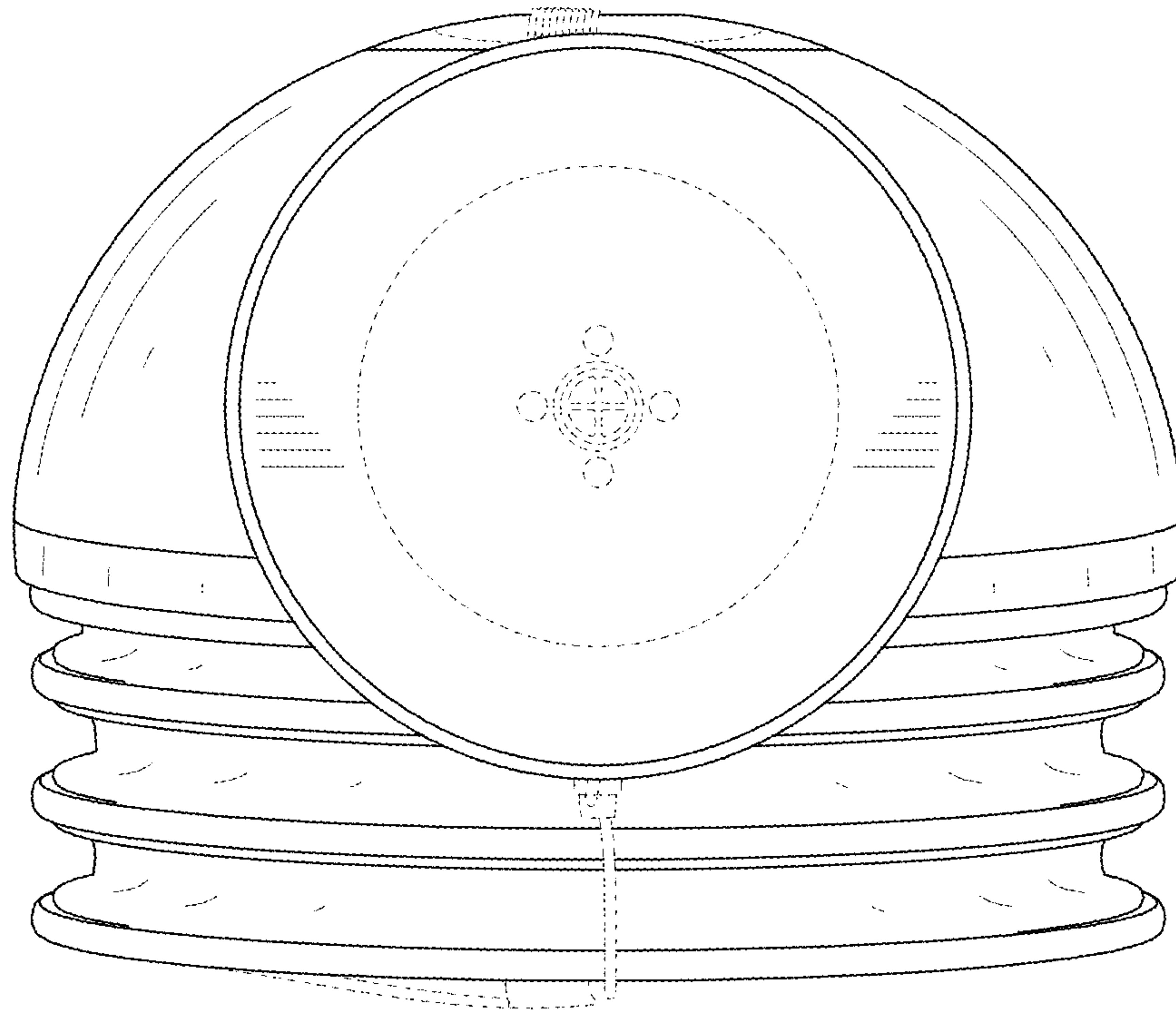


FIG. 8

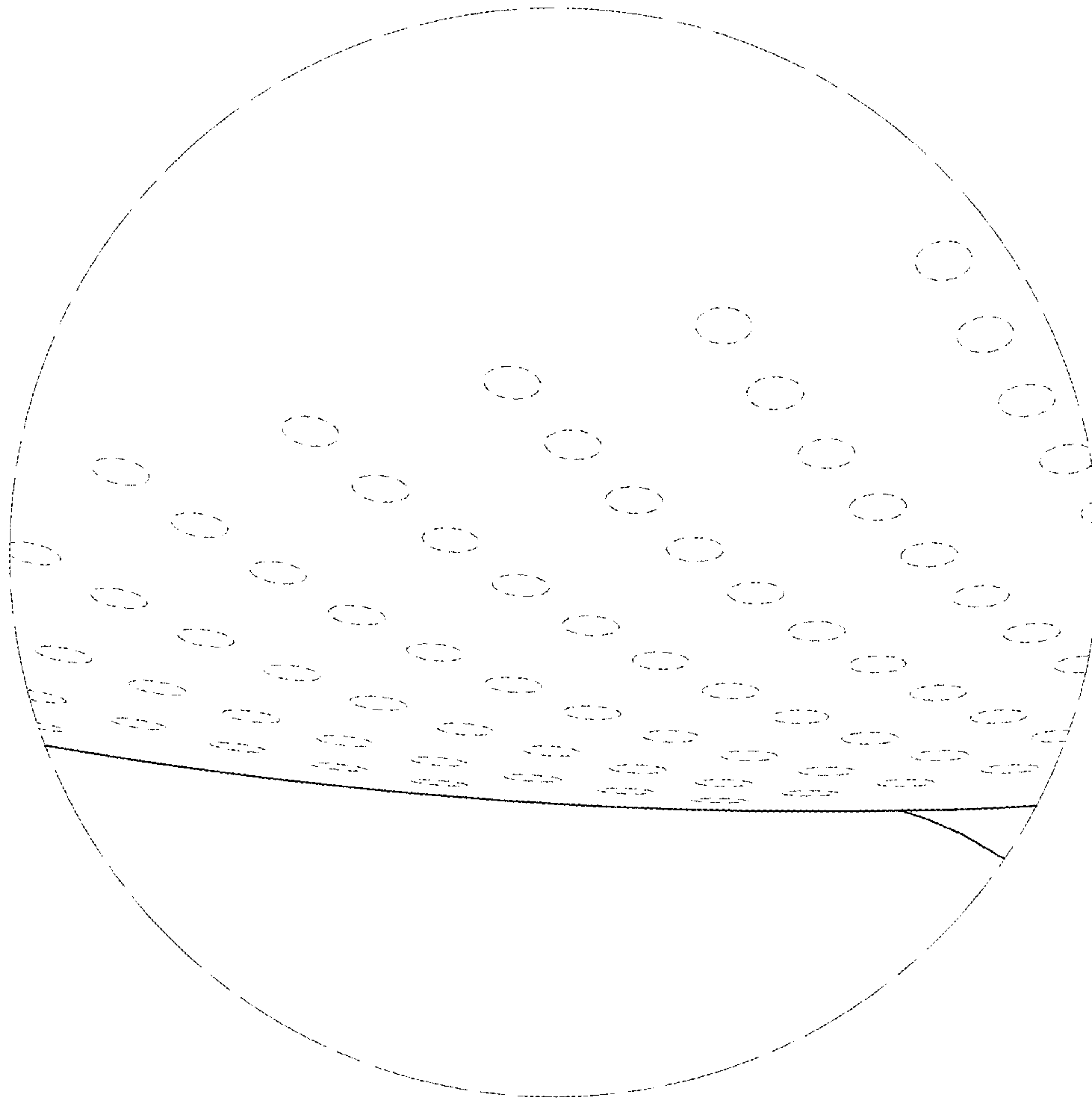


FIG. 9