



US00D963177S

(12) **United States Design Patent** (10) **Patent No.:** **US D963,177 S**
Shenfarber (45) **Date of Patent:** **** *Sep. 6, 2022**

(54) **LED INFRARED SKIN-TREATMENT DEVICE AND BASE IN COMBINATION**

(71) Applicant: **OMM Imports, Inc.**, Doral, FL (US)

(72) Inventor: **Moti Shenfarber**, Doral, FL (US)

(73) Assignee: **OMM IMPORTS, INC.**, Doral, FL (US)

(*) Notice: This patent is subject to a terminal disclaimer.

(**) Term: **15 Years**

(21) Appl. No.: **29/654,119**

(22) Filed: **Jun. 21, 2018**

(51) **LOC (13) Cl.** **24-01**

(52) **U.S. Cl.**
USPC **D24/209**

(58) **Field of Classification Search**

USPC D24/107, 186, 158, 231, 200, 209, 210, D24/214, 215, 187, 133, 146, 147, 211, D24/212, 213; D26/37-39; D28/7, 9, D28/10, 76, 85; D4/100, 101, 102, 136, D4/138

CPC A61N 5/0616; A61N 5/0617; A61N 5/062; A61N 5/0627; A61N 5/0625; A61N 2005/0643; A61N 2005/0644; A61N 2005/0645; A61N 2005/0647; A61N 2005/0651; A61N 2005/0652; A61B 2018/00452; A61B 2018/1807; A61B 17/1325; A61H 2201/0153; A61H 7/007; A61H 15/0085; A61H 2015/0014

See application file for complete search history.

(56) **References Cited**

U.S. PATENT DOCUMENTS

D575,407 S 8/2008 Treadwell et al.
D596,748 S 7/2009 Oberreiter et al.
D612,510 S 3/2010 Byle

(Continued)

Primary Examiner — Mary Shannon Malley
(74) *Attorney, Agent, or Firm* — The Concept Law Group, PA; Scott D. Smiley; Scott M. Garrett

(57) **CLAIM**

The ornamental design for a LED infrared skin-treatment device and base in combination, as shown and described.

DESCRIPTION

FIG. 1 is a front-elevational view of the LED infrared skin-treatment device and base in combination, shown removed from the base;

FIG. 2 is a left-side elevational view of the device of FIG. 1;

FIG. 3 is a right-side elevational view of the device of FIG. 1;

FIG. 4 is a top plan view of the device of FIG. 1;

FIG. 5 is a bottom plan view of the device of FIG. 1;

FIG. 6 is rear-elevational view of the device of FIG. 1;

FIG. 7 is a perspective view of the device of FIG. 1;

FIG. 8 is a front-elevational view of the LED infrared skin-treatment device and base in combination, shown in an alternative configuration with the charging base;

FIG. 9 is a left-side elevational view of the device and base of FIG. 8;

FIG. 10 is a right-side elevational view of the device and base of FIG. 8;

FIG. 11 is a top plan view of the device and base of FIG. 8;

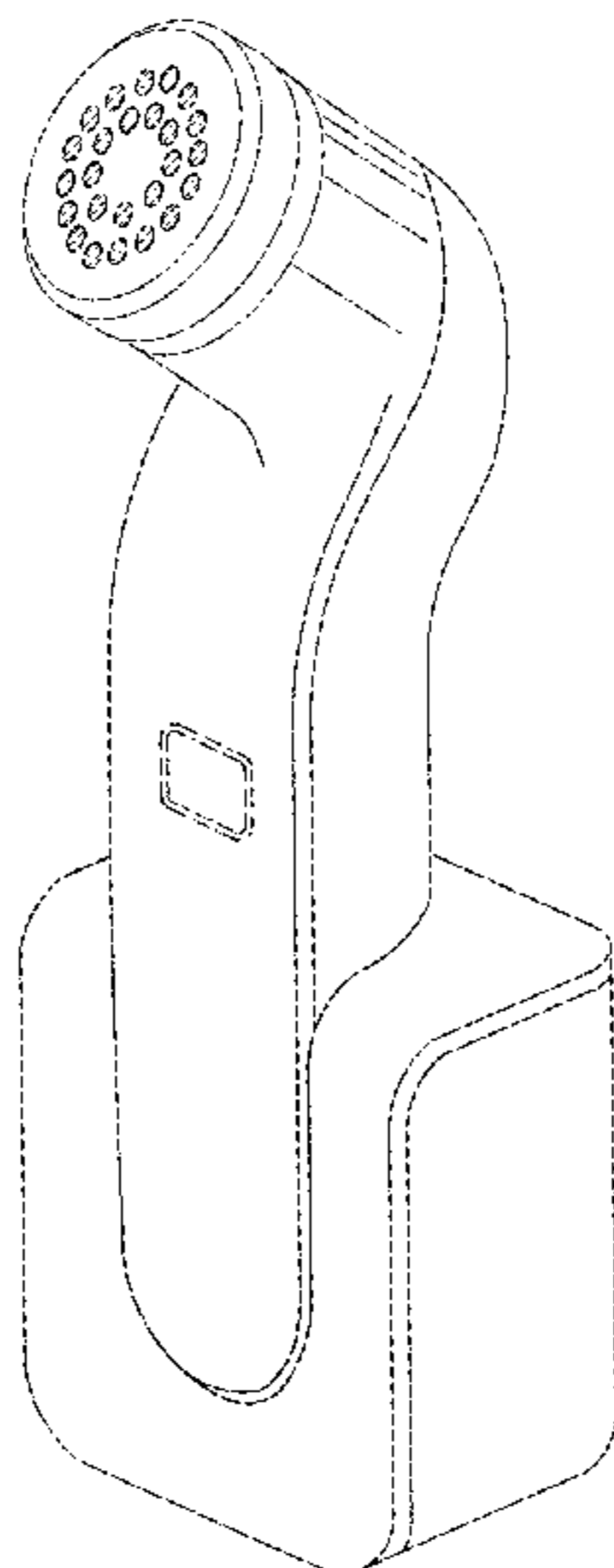
FIG. 12 is a bottom plan view of the device and base of FIG. 8;

FIG. 13 is rear-elevational view of the device and base of FIG. 8; and,

FIG. 14 is a perspective view of the device and base of FIG. 8.

The broken lines show portions of the LED infrared skin-treatment device and base in combination that form no part of the claimed design.

1 Claim, 12 Drawing Sheets



(56)

References Cited

U.S. PATENT DOCUMENTS

D621,949 S 8/2010 Seki et al.
D621,950 S 8/2010 Seki et al.
D734,479 S 7/2015 Youngquist et al.
D742,530 S * 11/2015 Pippel D24/187
D757,953 S * 5/2016 Philips D24/200
D773,676 S * 12/2016 Gufler D24/200
D782,685 S * 3/2017 Pippel D24/186
D791,960 S * 7/2017 Guanying D24/209
D795,423 S * 8/2017 Chen D24/133
D824,528 S * 7/2018 Yang D24/209
D840,546 S * 2/2019 Xiangmei D24/209
2008/0140164 A1 6/2008 Oberreiter et al.
2014/0128780 A1 5/2014 Kennedy et al.
2014/0135798 A1 * 5/2014 David A61B 17/54
606/131
2017/0202732 A1 * 7/2017 Nichols A61H 23/02

* cited by examiner

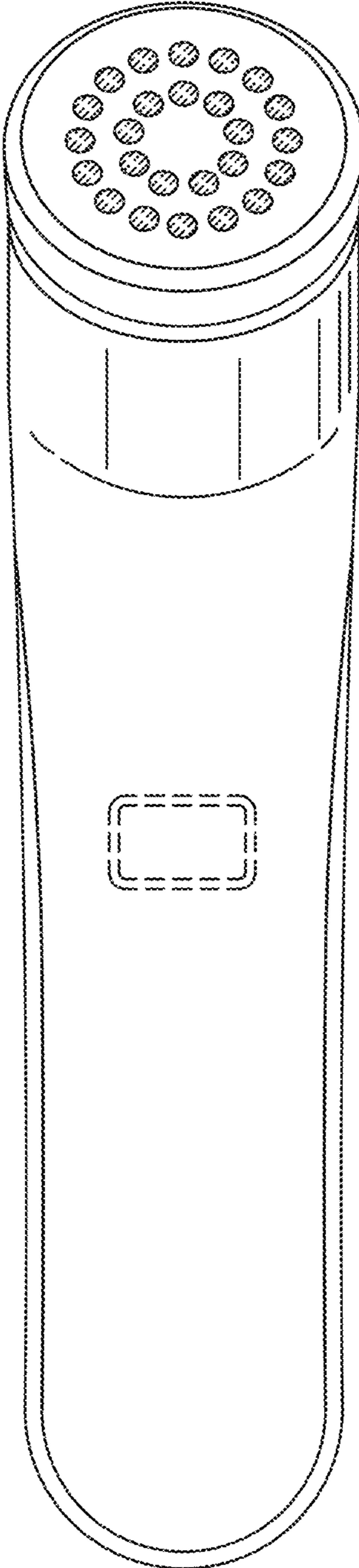


FIG. 1

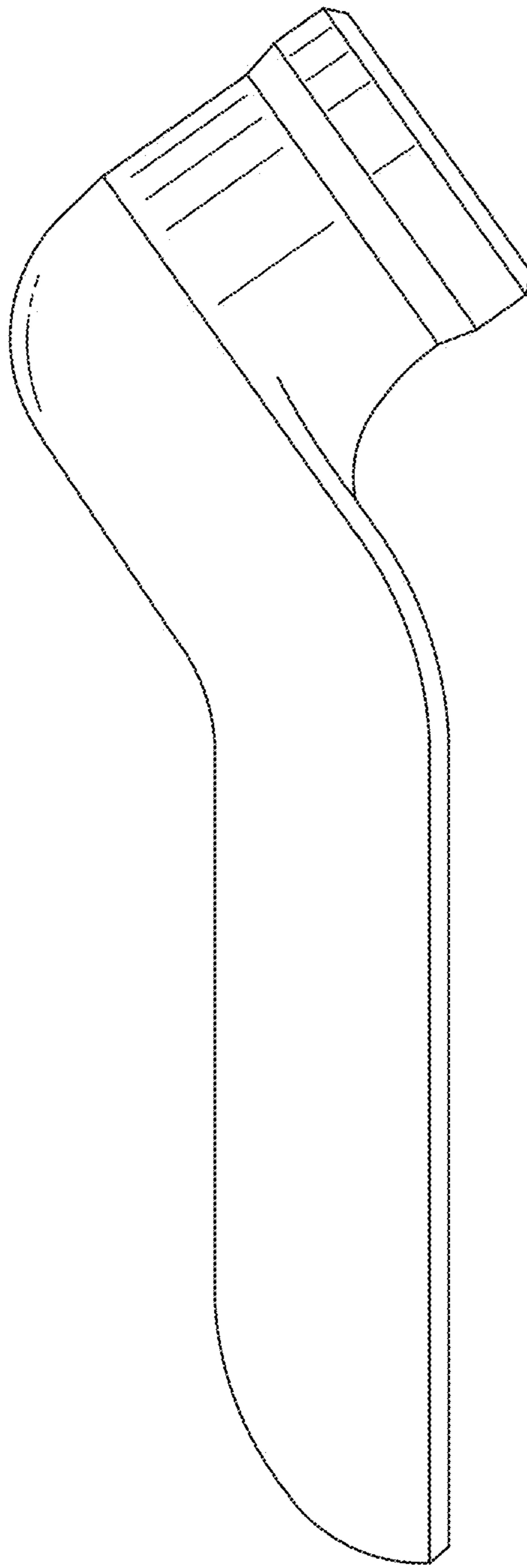


FIG.2

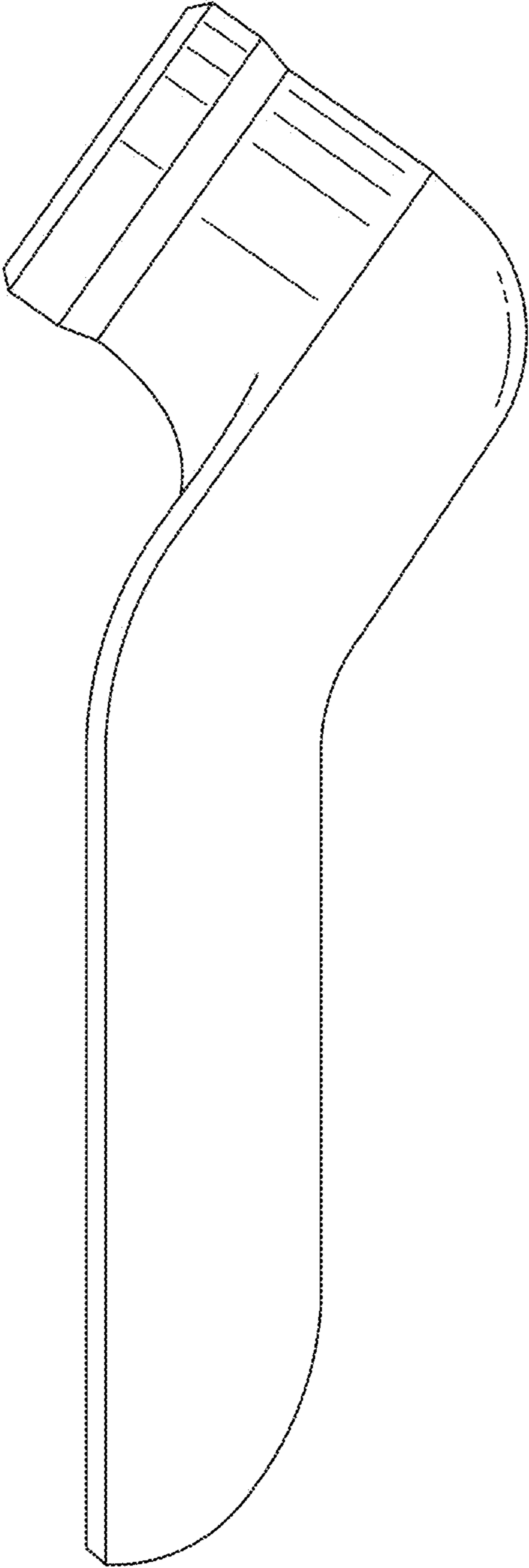


FIG.3

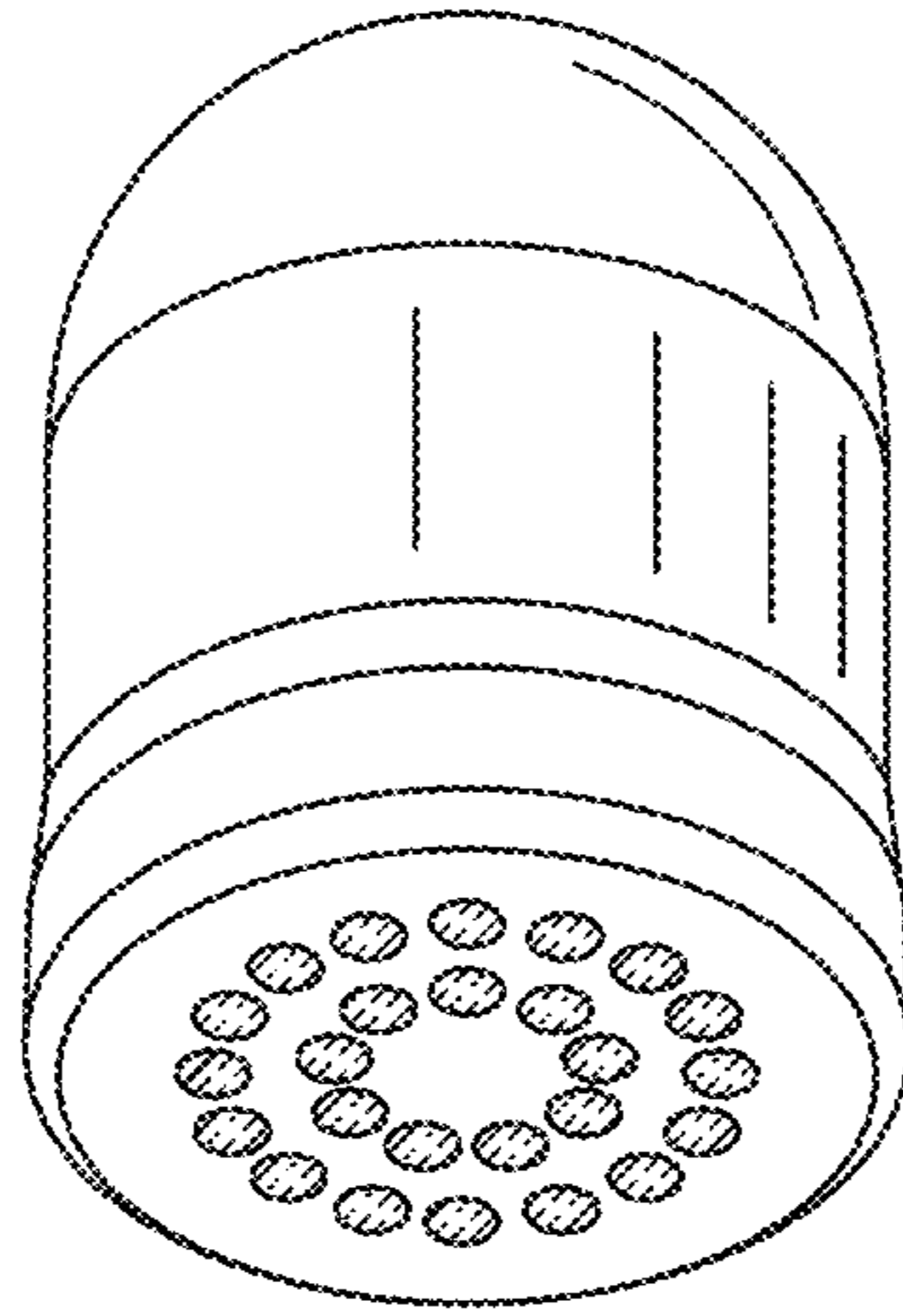


FIG. 4

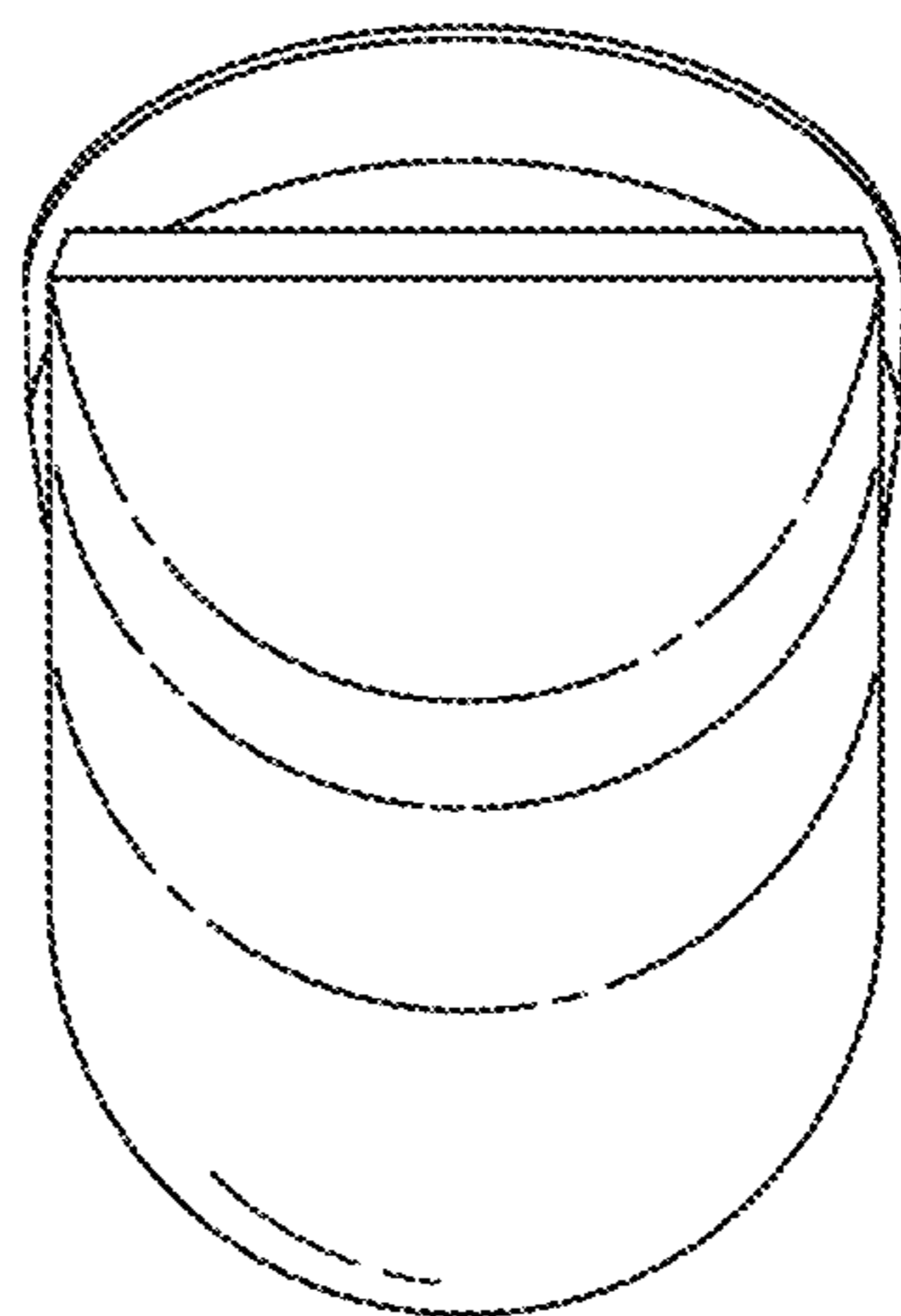


FIG. 5

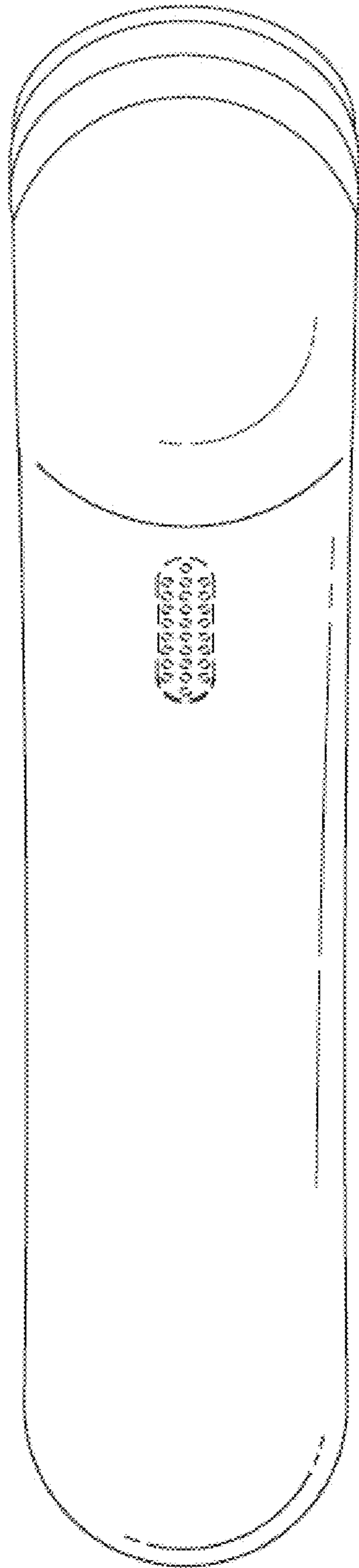


FIG. 6

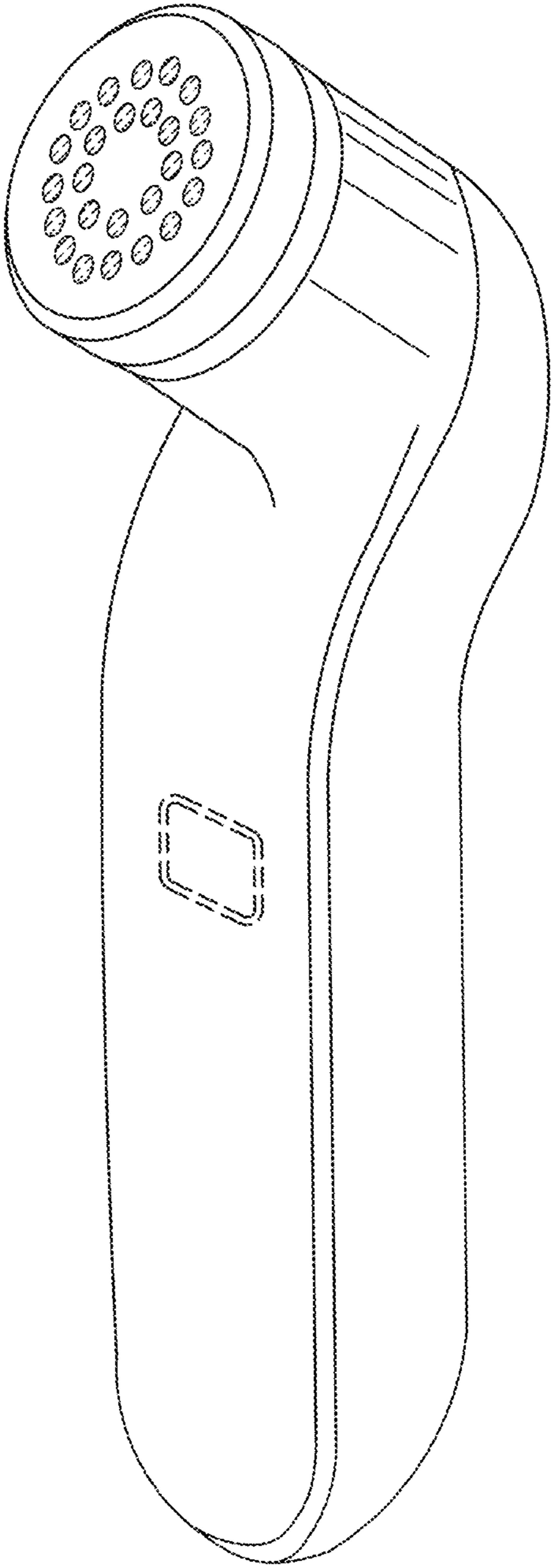


FIG.7

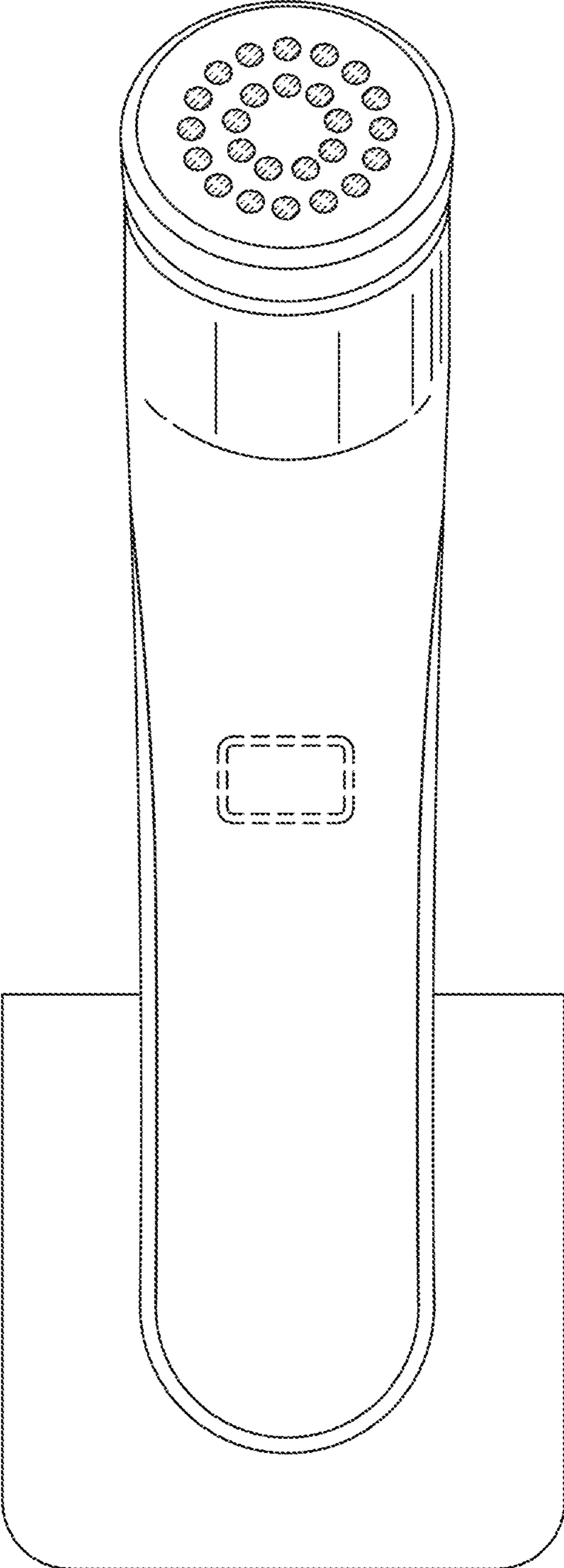


FIG.8

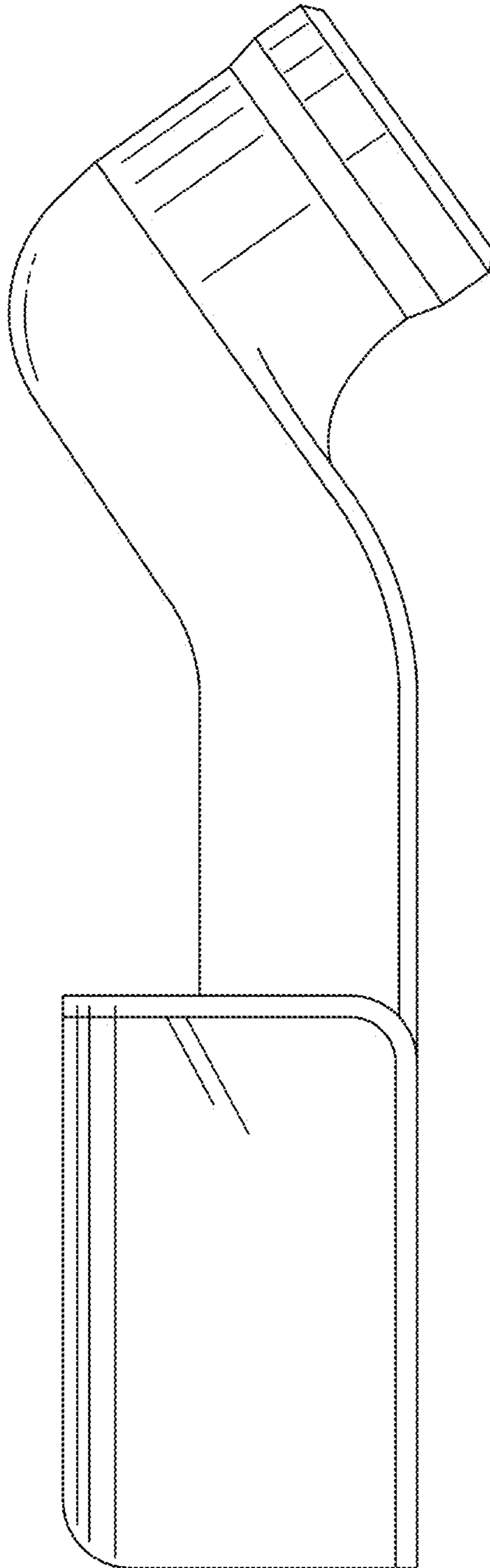


FIG.9

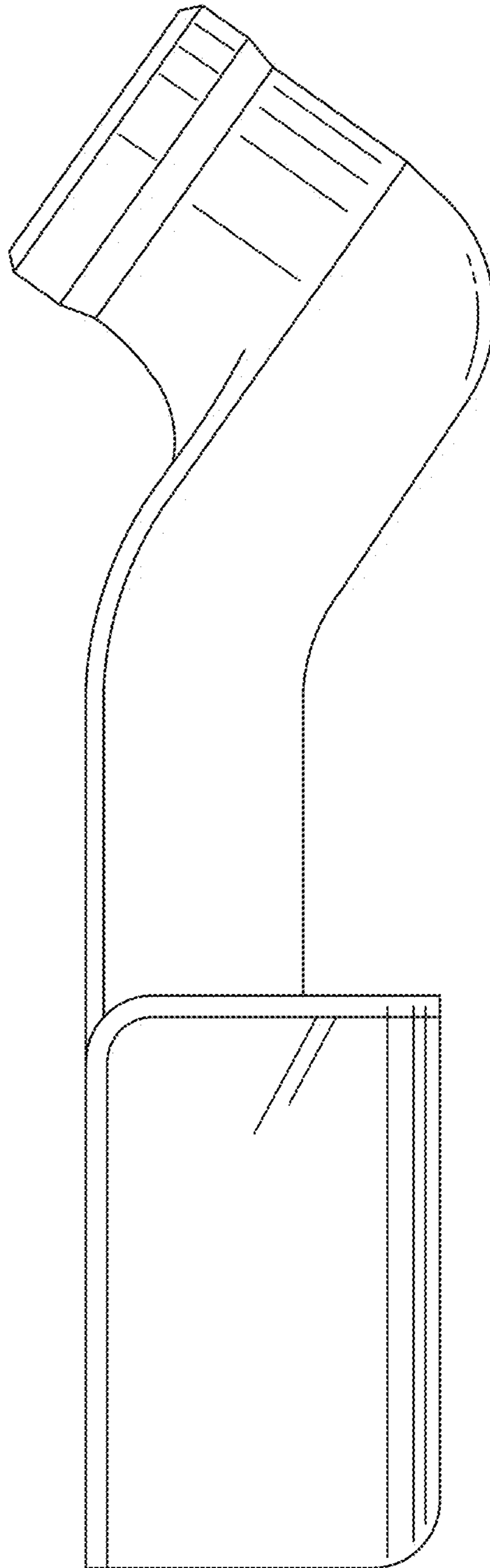


FIG.10

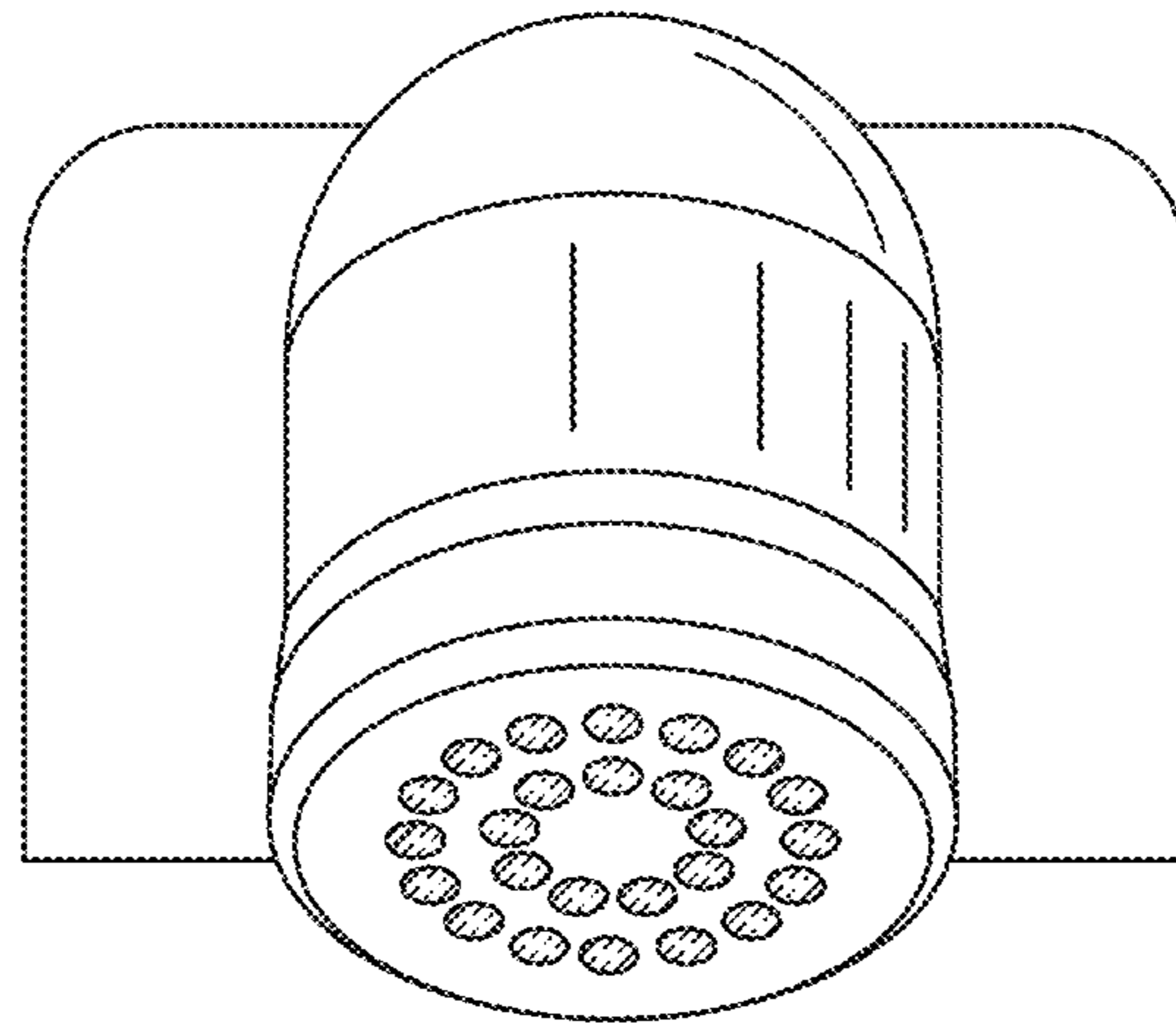


FIG. 11

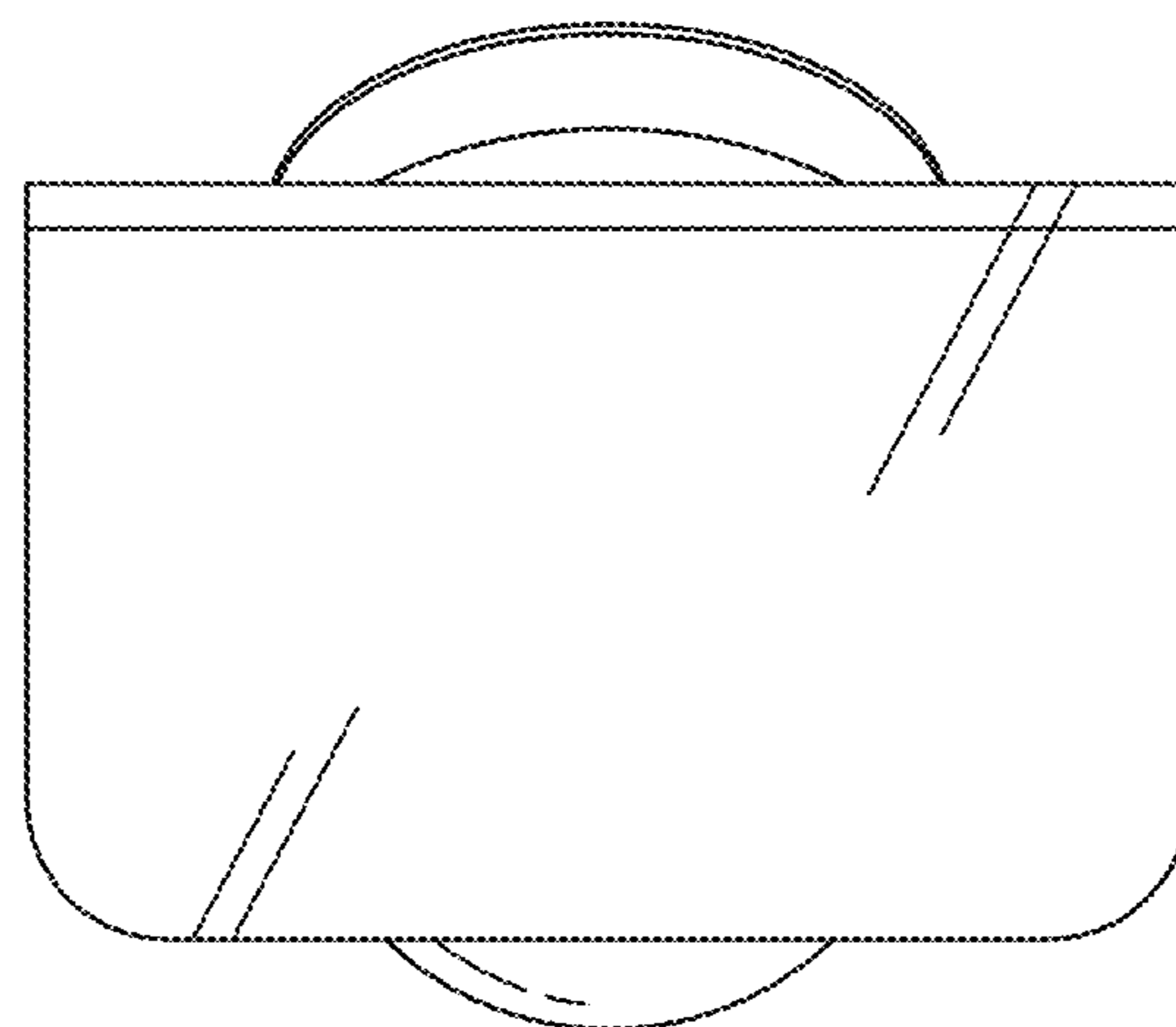


FIG. 12

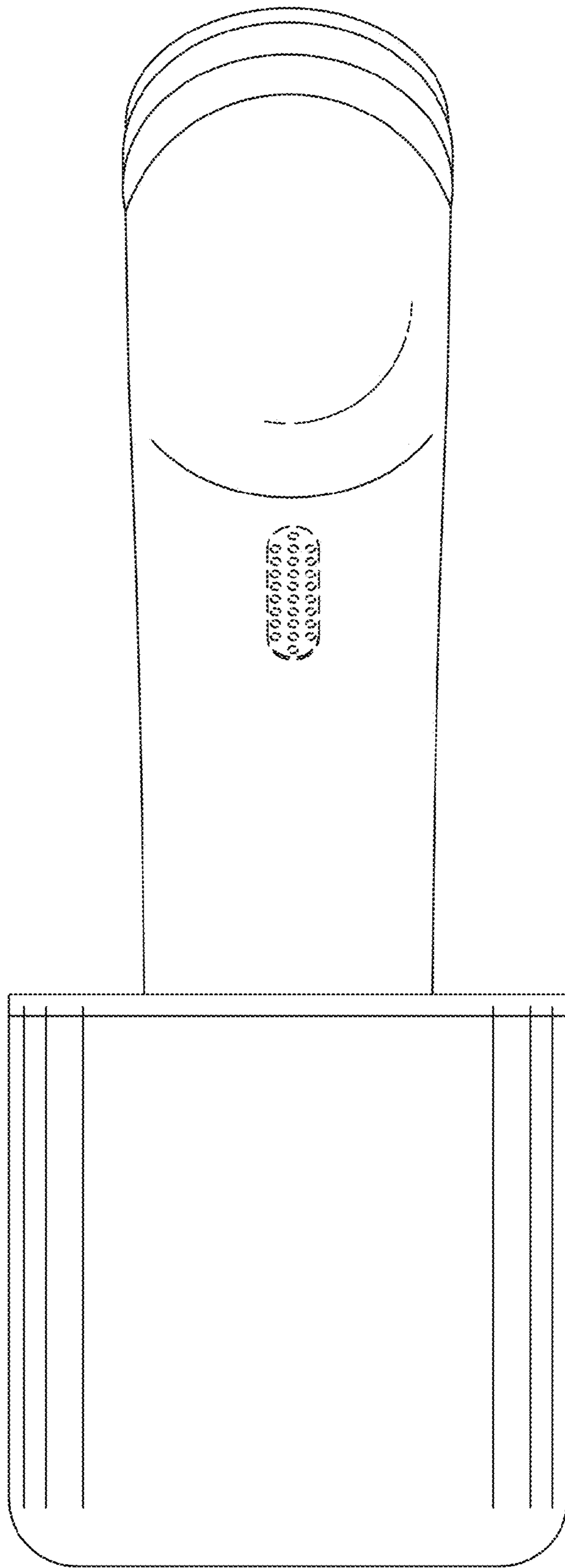


FIG.13

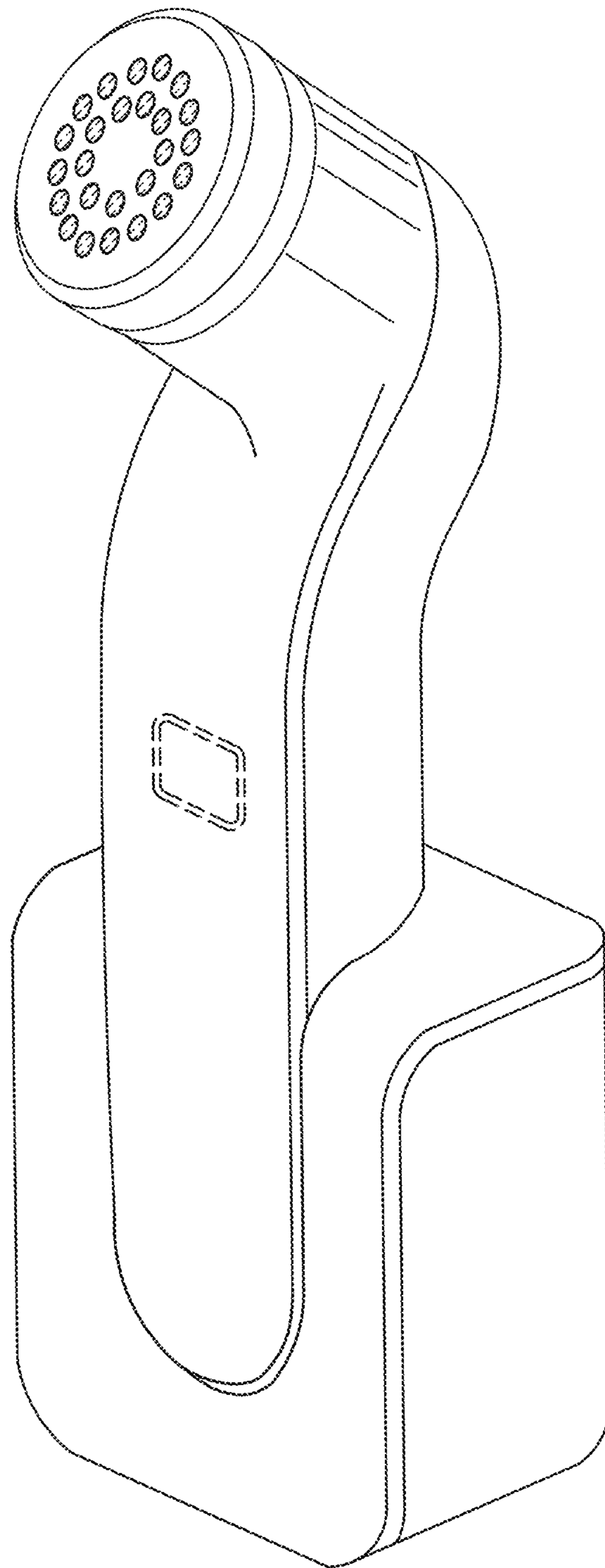


FIG.14