



US00D963176S

(12) **United States Design Patent**  
**von Wurmb et al.**

(10) **Patent No.:** **US D963,176 S**  
(45) **Date of Patent:** **\*\* Sep. 6, 2022**

(54) **APPARATUS FOR THERMOTHERAPY**

- (71) Applicant: **Dermapharm AG**, Grünwald (DE)
- (72) Inventors: **Daniel Bünger von Wurmb**,  
Mönchengladbach (DE); **Camill Maier**,  
Achern (DE)
- (73) Assignee: **Dermapharm AG**, Grünwald (DE)
- (\*\*) Term: **15 Years**
- (21) Appl. No.: **29/768,962**
- (22) Filed: **Feb. 2, 2021**

(30) **Foreign Application Priority Data**

Aug. 3, 2020 (EM) ..... 008070239

(51) **LOC (13) Cl.** ..... **24-01**

(52) **U.S. Cl.**  
USPC ..... **D24/206**

(58) **Field of Classification Search**

USPC ..... D24/185-190, 200, 127, 130, 133,  
D24/145-147, 155-156, 158, 183,  
D24/206-208, 214-215, 231, 234;  
D8/391, 387; D23/303, 318, 322;  
D13/168; D14/218

CPC .. A61M 25/065; A61M 5/42; A61M 25/0612;  
A61M 25/00; A61M 39/00; A61M 27/00;  
A61M 25/0043; A61M 25/0067; A61M  
25/0097; A61F 2/958; A61F 13/02; A61F  
2013/00885; A61F 7/02; A61F 7/034;  
A61F 7/00; A61F 2007/0094; A61F

(Continued)

(56) **References Cited**

**U.S. PATENT DOCUMENTS**

D249,160 S \* 8/1978 Toyoda ..... D24/214  
D261,551 S \* 10/1981 Boroda ..... D24/200

(Continued)

**OTHER PUBLICATIONS**

Silicon Power unveils Marvel M02 USB flash drive, first available Feb. 2022, betanews.com, [online], [site visited Apr. 21, 2022], Available from internet URL: <https://betanews.com/2022/02/25/silicon-power-marvel-m02-usb-flash-drive/> (Year: 2022).\*

(Continued)

*Primary Examiner* — Samantha Q Lawrence

*Assistant Examiner* — Holly M Rodriguez

(74) *Attorney, Agent, or Firm* — Wolf, Greenfield & Sacks, P.C.

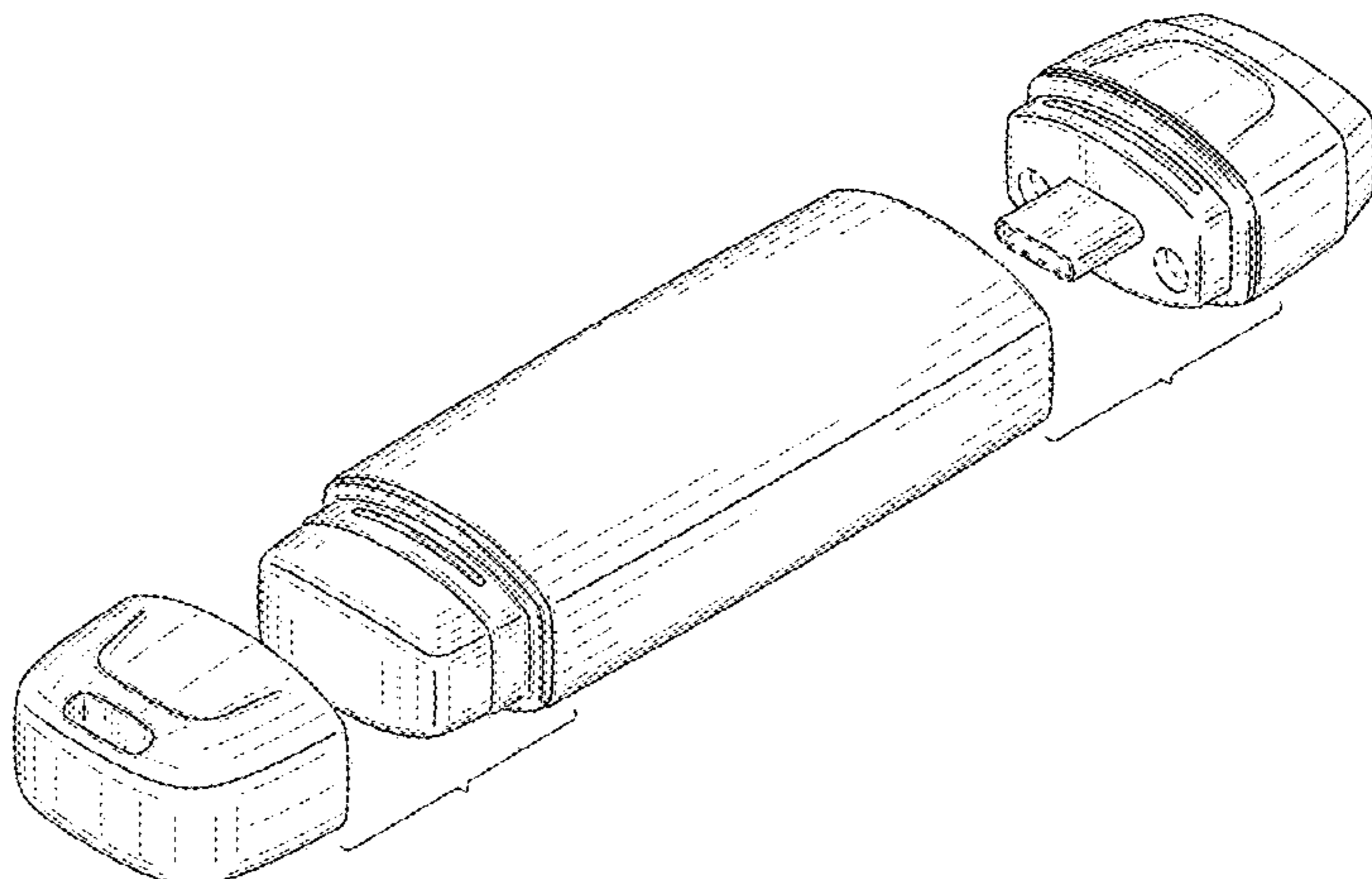
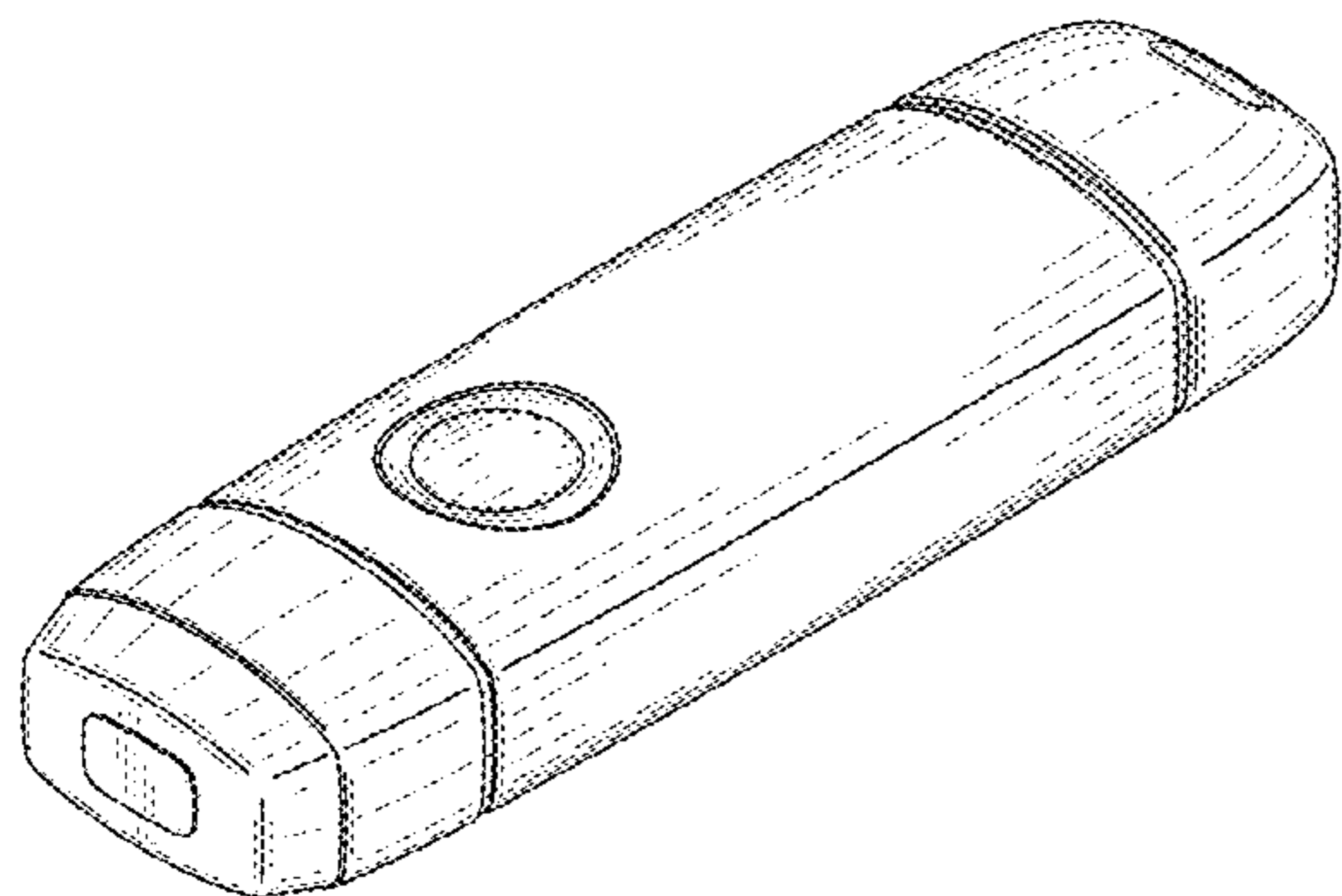
(57) **CLAIM**

The ornamental design for an apparatus for thermotherapy, as shown and described.

**DESCRIPTION**

FIG. 1 is a bottom, front, and right side perspective view of an apparatus for thermotherapy in a first configuration according to our new design;  
FIG. 2 is a top, rear, and right side perspective view thereof;  
FIG. 3 is a right side elevation view thereof;  
FIG. 4 is a front elevation view thereof;  
FIG. 5 is a bottom plan view thereof;  
FIG. 6 is a top plan view thereof;  
FIG. 7 is a left side elevation view thereof;  
FIG. 8 is a rear elevation view thereof;  
FIG. 9 is a bottom, front, and right side perspective view of the apparatus for thermotherapy in a second configuration; and,  
FIG. 10 is a top, rear, and right side perspective view thereof. The short dash-long dash broken lines represent boundaries of the claimed design and form no part of the claimed design. The short dash-short dash broken lines depict portions of the apparatus for thermotherapy that form no part of the claimed design.

**1 Claim, 4 Drawing Sheets**



(58) **Field of Classification Search**

CPC ..... 2007/0087; A61F 2007/0089; A61N  
 1/36021; A61N 1/36; A61N 1/403; A61H  
 2201/02; A61H 2201/0207; A61H  
 2201/0221; A61H 15/0092; A61G  
 2201/02147

See application file for complete search history.

D842,308	S	*	3/2019	Shim	.....	D14/480.5
D857,017	S	*	8/2019	Cheng	.....	D14/218
D883,566	S	*	5/2020	Filleul	.....	D27/162
D903,887	S	*	12/2020	Althoff	.....	D24/209
D930,895	S	*	9/2021	Fornarelli	.....	D27/162
D945,631	S	*	3/2022	Gebrekidan	.....	D24/200
2009/0052142	A1	*	2/2009	Brewer	.....	H05K 1/144 29/829
2017/0196262	A1	*	7/2017	Brereton	.....	A24F 42/60

(56)

**References Cited**

U.S. PATENT DOCUMENTS

D261,552	S	*	10/1981	Boroda	.....	D24/200
D475,149	S	*	5/2003	Chun	.....	D26/37
D492,307	S	*	6/2004	Aqqad	.....	D14/480.5
D517,023	S	*	3/2006	Kumagai	.....	D26/37
D527,477	S	*	8/2006	Chen	.....	D26/37
D577,715	S	*	9/2008	Lim	.....	D14/240
D610,156	S	*	2/2010	Mudrick	.....	D14/480.5
D642,585	S	*	8/2011	Lan	.....	D14/480.5
D688,255	S	*	8/2013	Daniel	.....	D14/480.4
D698,937	S	*	2/2014	Laverack	.....	D24/223
D706,278	S	*	6/2014	Fukuoka	.....	D14/480.5
D828,363	S	*	9/2018	Turksu	.....	D14/480.5

OTHER PUBLICATIONS

Qukot Ultrasonic Skin Scrubber Spatula, first available Feb. 12, 2021, amazon.com, [online], [site visited Apr. 21, 2022], Available from internet URL: [https://www.amazon.com/dp/B08V922J6Q/ref=sspa\\_dk\\_detail\\_8?psc=1&pf\\_rd\\_p=57cbdc41-b731-4e3d-aca7-49078b13a07b&pd\\_rd\\_wg=Lvt3E&pf\\_rd%2E%80%A6](https://www.amazon.com/dp/B08V922J6Q/ref=sspa_dk_detail_8?psc=1&pf_rd_p=57cbdc41-b731-4e3d-aca7-49078b13a07b&pd_rd_wg=Lvt3E&pf_rd%2E%80%A6) (Year: 2021).\*

Pasnowfu Upgrade Cube Ice Face Roller, first available Dec. 29, 2021, amazon.com, [online], [site visited Apr. 21, 2022], Available from internet URL: [https://www.amazon.com/dp/B09LSBGQ12/ref=sspa\\_dk\\_detail\\_2?pd\\_rd\\_i=B09LSBGQ12&pd\\_rd\\_w=dRegA&pf\\_rd\\_p=57cbdc41-b731-4e3d-aca7-49078b13a07b&pd\\_rd\\_wg=Lvt3E&pf\\_rd%2E%80%A6](https://www.amazon.com/dp/B09LSBGQ12/ref=sspa_dk_detail_2?pd_rd_i=B09LSBGQ12&pd_rd_w=dRegA&pf_rd_p=57cbdc41-b731-4e3d-aca7-49078b13a07b&pd_rd_wg=Lvt3E&pf_rd%2E%80%A6) (Year: 2021).\*

\* cited by examiner

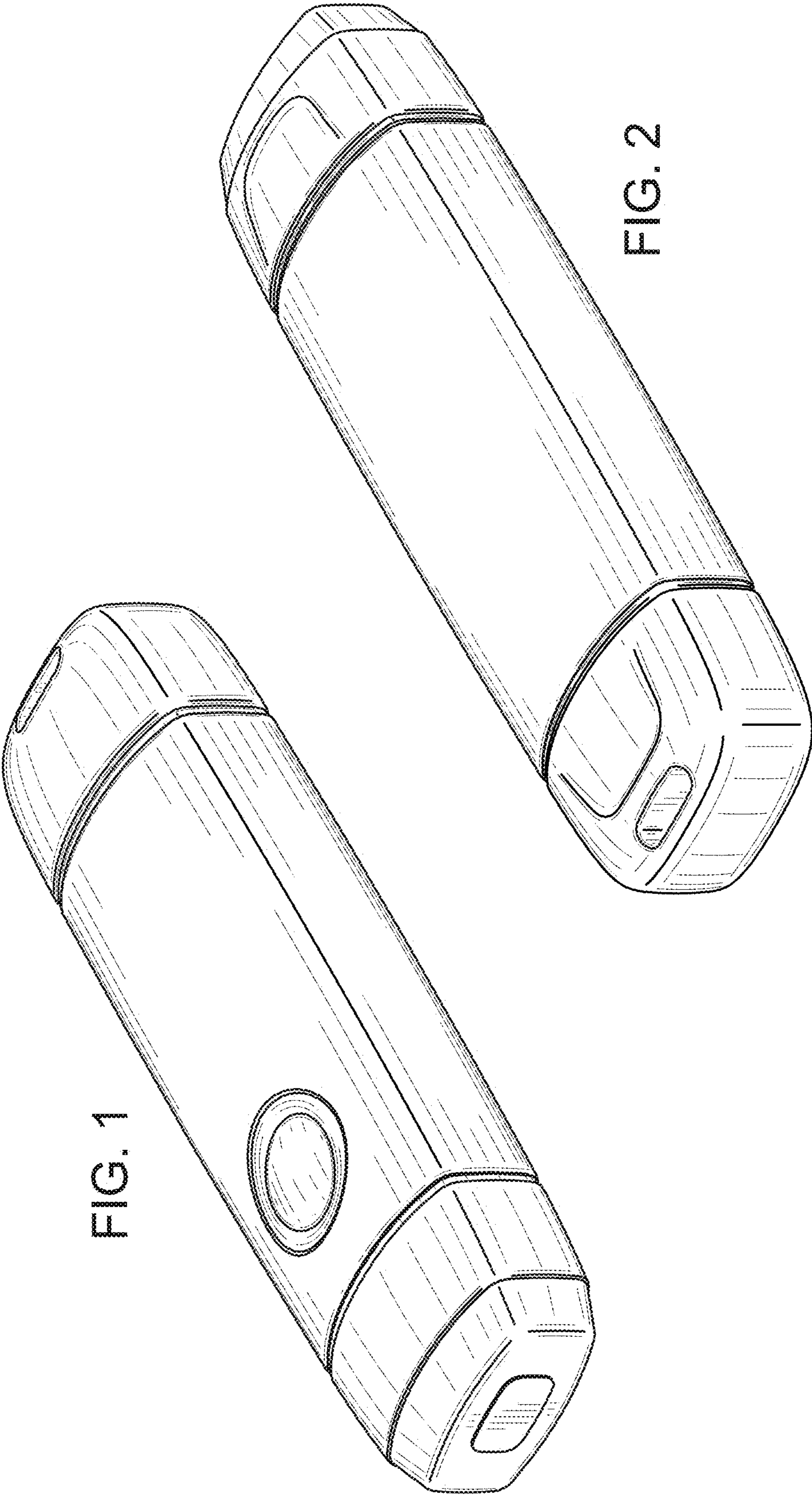




FIG. 3

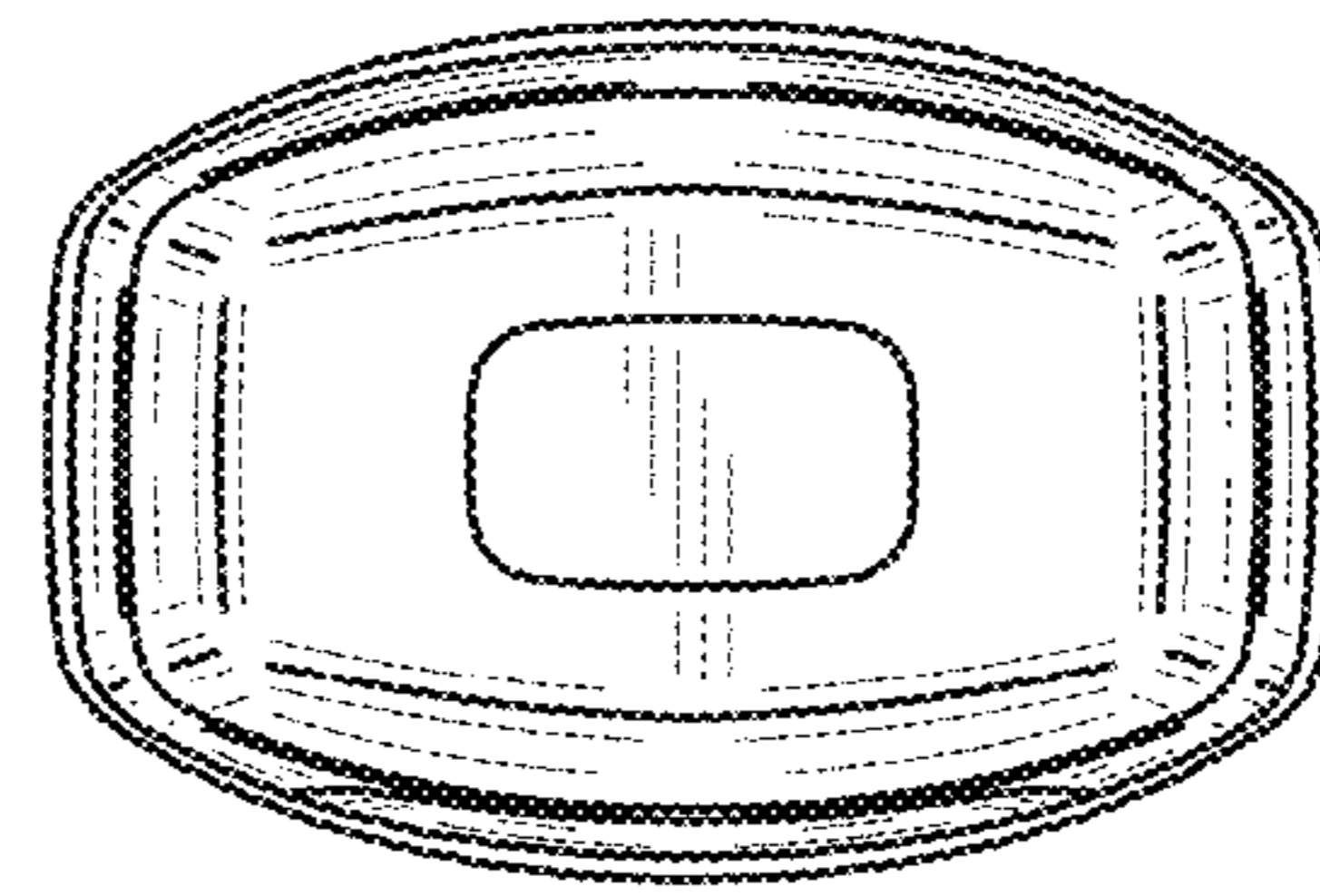
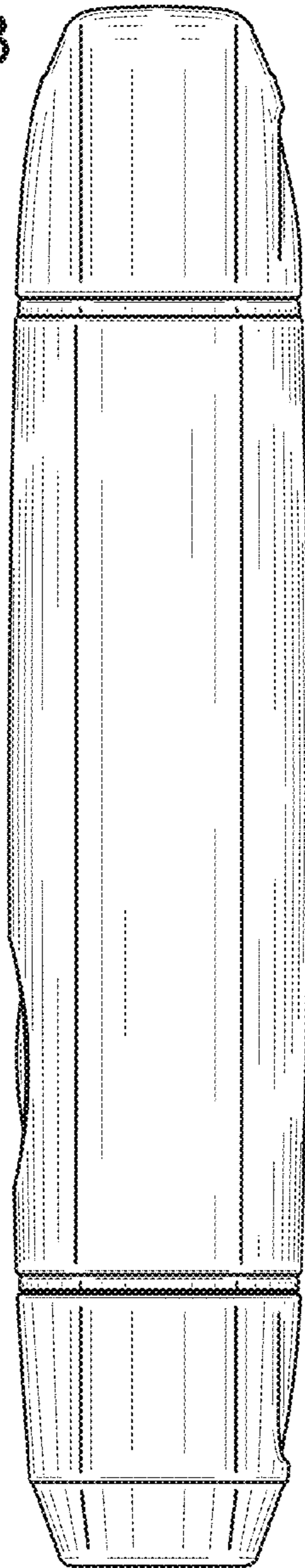


FIG. 5

FIG. 4

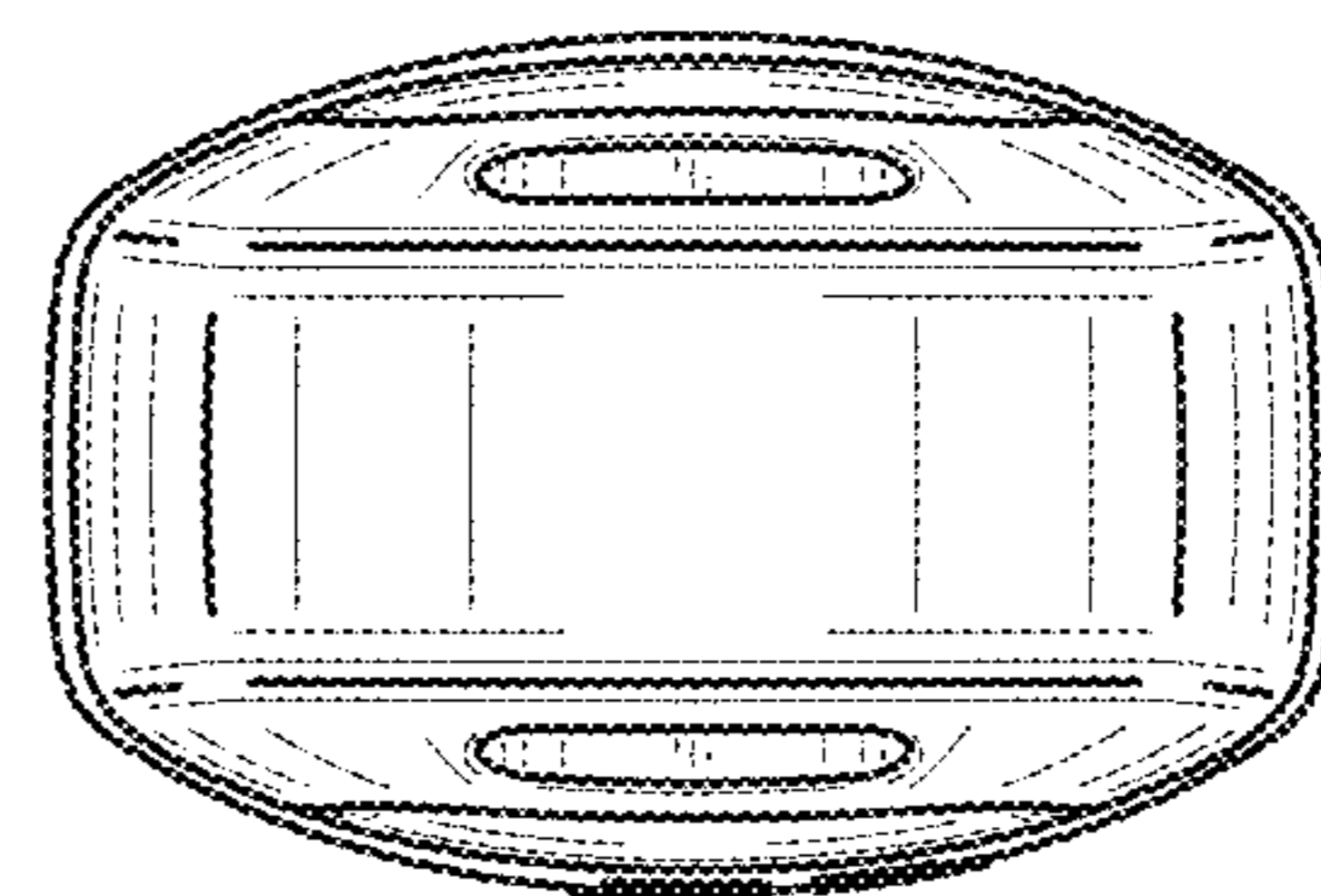
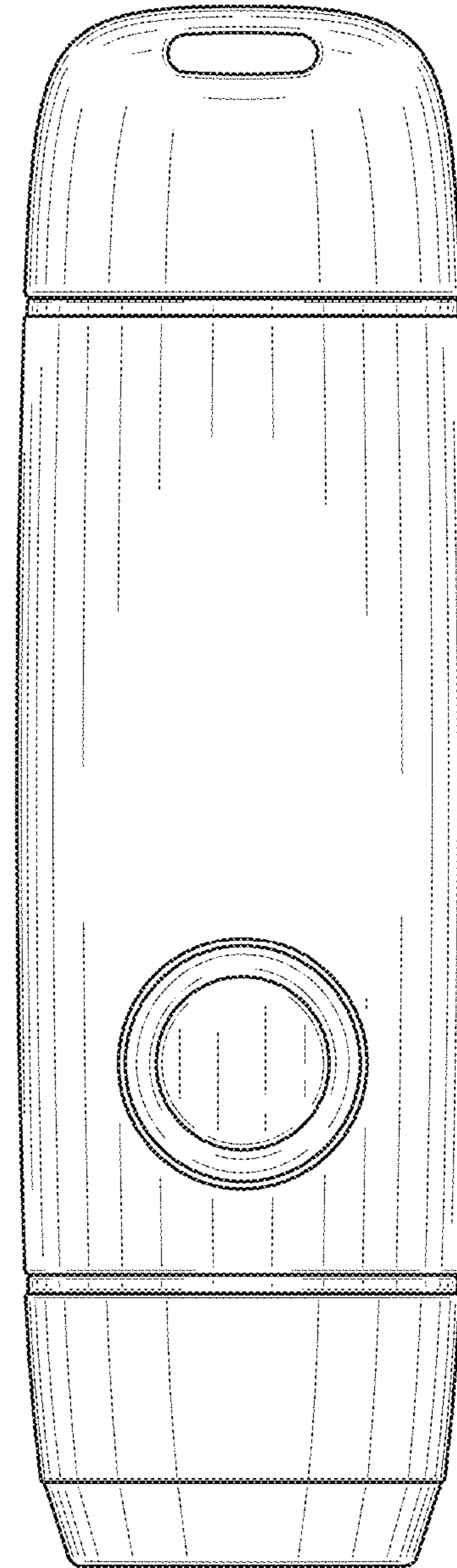


FIG. 6

FIG. 7

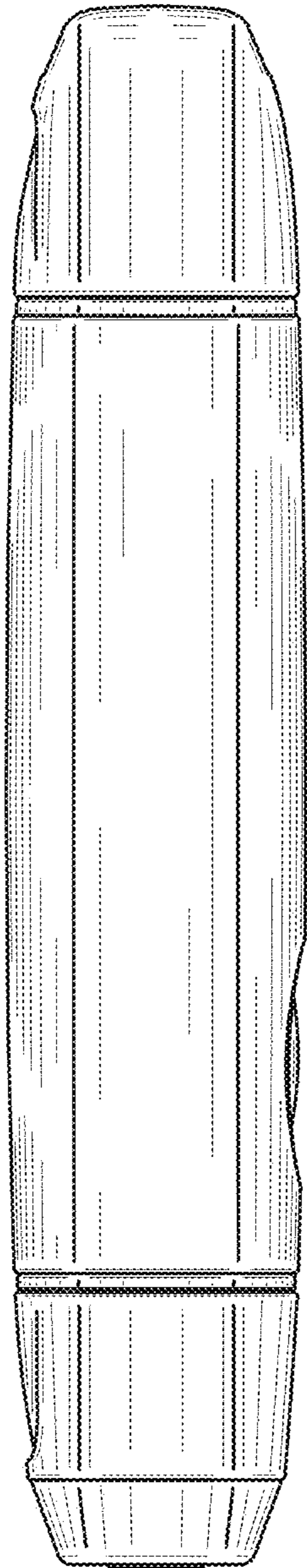
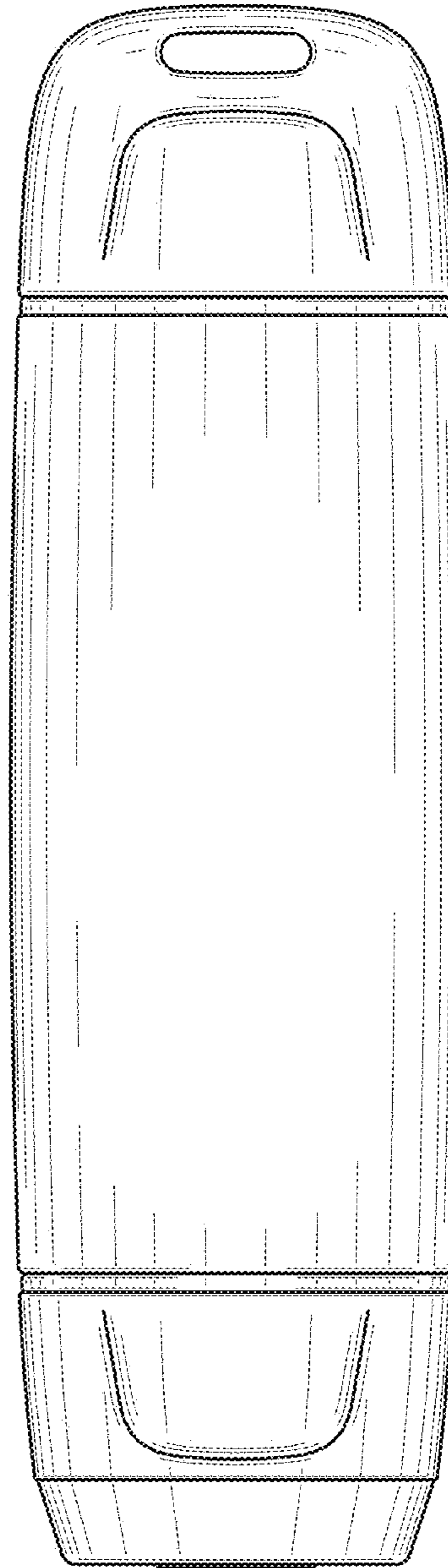


FIG. 8



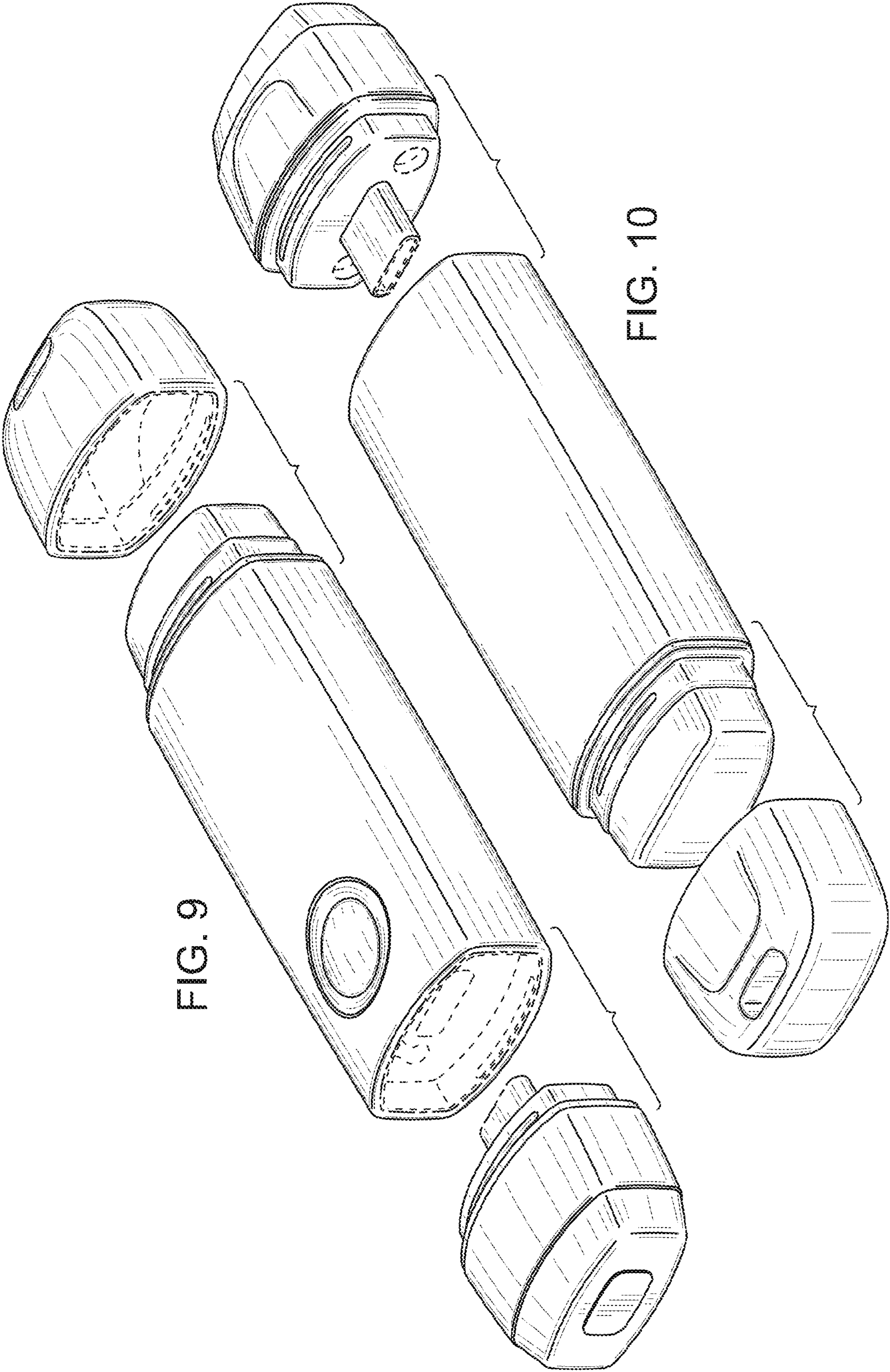


FIG. 9

FIG. 10