



US00D963175S

(12) **United States Design Patent** (10) **Patent No.:** **US D963,175 S**  
**von Wurmb et al.** (45) **Date of Patent:** **\*\* Sep. 6, 2022**

(54) **APPARATUS FOR THERMOTHERAPY**

(71) Applicant: **Dermapharm AG**, Grünwald (DE)  
(72) Inventors: **Daniel Bünger von Wurmb**,  
Mönchengladbach (DE); **Camill Maier**,  
Achern (DE)  
(73) Assignee: **Dermapharm AG**, Grünwald (DE)  
(\*\*) Term: **15 Years**  
(21) Appl. No.: **29/768,959**  
(22) Filed: **Feb. 2, 2021**

(30) **Foreign Application Priority Data**

Aug. 3, 2020 (EM) ..... 008070239  
(51) **LOC (13) Cl.** ..... **24-01**  
(52) **U.S. Cl.**  
USPC ..... **D24/206**

(58) **Field of Classification Search**  
USPC ..... D24/185-190, 200, 127, 130, 133,  
D24/145-147, 155-156, 158, 183,  
D24/206-208, 214-215, 231, 234;  
D8/391, 387; D23/303, 318, 322;  
D13/168; D14/218  
CPC .. A61M 25/065; A61M 5/42; A61M 25/0612;  
A61M 25/00; A61M 39/00; A61M 27/00;  
A61M 25/0043; A61M 25/0067; A61M  
25/0097; A61F 2/958; A61F 13/02; A61F  
2013/00885; A61F 7/02; A61F 7/034;  
A61F 7/00; A61F 2007/0094; A61F  
(Continued)

(56) **References Cited**

**U.S. PATENT DOCUMENTS**

D249,160 S \* 8/1978 Toyoda ..... D24/214  
D261,551 S \* 10/1981 Boroda ..... D24/200  
(Continued)

**OTHER PUBLICATIONS**

Silicon Power unveils Marvel M02 USB flash drive, first available Feb. 2022, betanews.com, [online], [site visited Apr. 21, 2022], Available from internet URL: <https://betanews.com/2022/02/25/silicon-power-marvel-m02-usb-flash-drive/> (Year: 2022).\*  
(Continued)

*Primary Examiner* — Samantha Q Lawrence  
*Assistant Examiner* — Holly M Rodriguez  
(74) *Attorney, Agent, or Firm* — Wolf, Greenfield & Sacks, P.C.

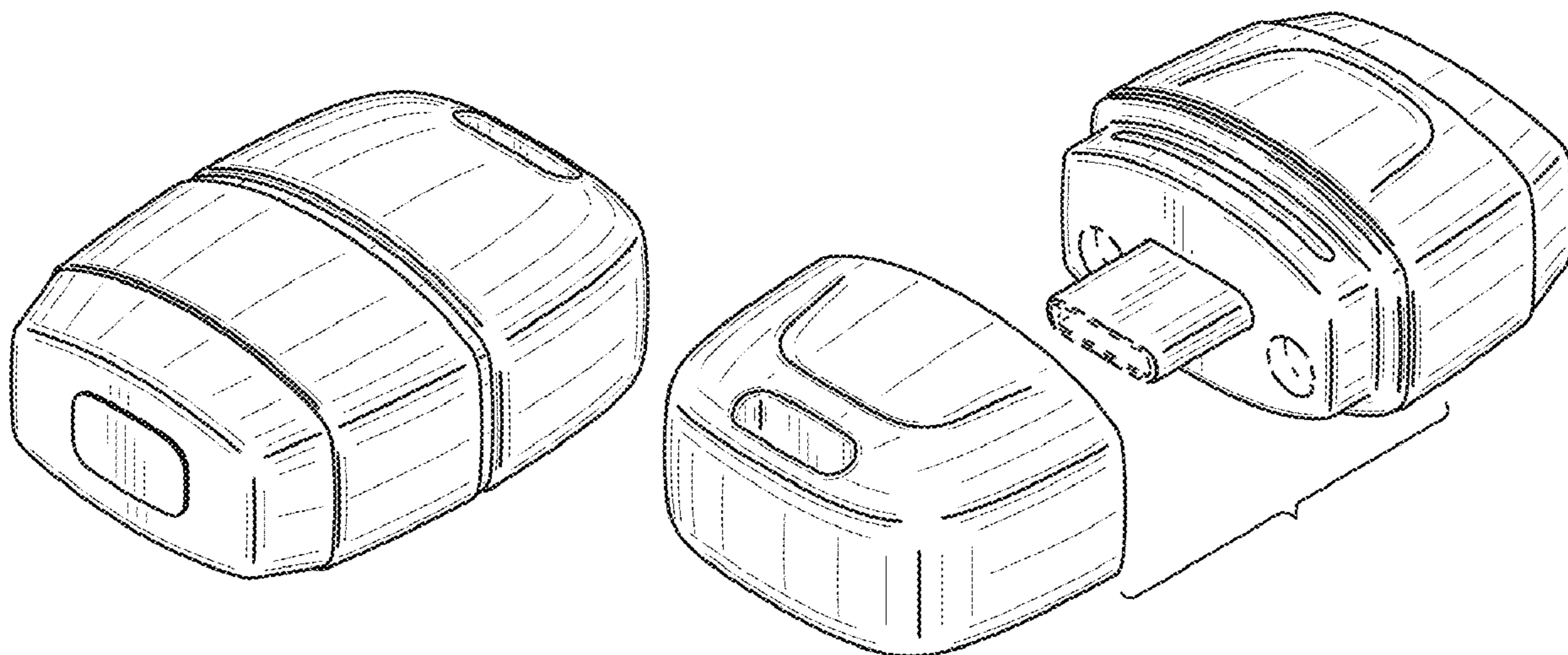
(57) **CLAIM**

The ornamental design for an apparatus for thermotherapy, as shown and described.

**DESCRIPTION**

FIG. 1 is a bottom, front, and right side perspective view of an apparatus for thermotherapy according to our new design; FIG. 2 is a top, rear, and right side perspective view thereof; FIG. 3 is a top plan view thereof; FIG. 4 is a right side elevation view thereof; FIG. 5 is a front elevation view thereof; FIG. 6 is a left side elevation view thereof; FIG. 7 is a bottom plan view thereof; FIG. 8 is a rear elevation view thereof; FIG. 9 is a bottom, front, and right side perspective view of the apparatus for thermotherapy in a second configuration; and, FIG. 10 is a top, rear, and right side perspective view thereof. The short dash-long dash broken lines represent boundaries of the claimed design and form no part of the claimed design. The short dash-short dash broken lines depict portions of the apparatus for thermotherapy that form no part of the claimed design.

**1 Claim, 3 Drawing Sheets**



(58) **Field of Classification Search**

CPC ..... 2007/0087; A61F 2007/0089; A61N  
1/36021; A61N 1/36; A61N 1/403; A61H  
2201/02; A61H 2201/0207; A61H  
2201/0221; A61H 15/0092; A61G  
2201/02147

See application file for complete search history.

D828,363 S \* 9/2018 Turksu ..... D14/480.5  
D842,308 S \* 3/2019 Shim ..... D14/480.5  
D883,566 S \* 5/2020 Filleul ..... D27/162  
D903,887 S \* 12/2020 Althoff ..... D24/209  
D923,806 S \* 6/2021 Bünger von Wurmb .... D24/209  
2009/0052142 A1\* 2/2009 Brewer ..... H05K 1/144  
29/829  
2017/0196262 A1\* 7/2017 Brereton ..... A24F 42/60

(56)

**References Cited**

U.S. PATENT DOCUMENTS

D261,552 S \* 10/1981 Boroda ..... D24/200  
D475,149 S \* 5/2003 Chun ..... D26/37  
D492,307 S \* 6/2004 Aqqad ..... D14/480.5  
D527,477 S \* 8/2006 Chen ..... D26/37  
D577,715 S \* 9/2008 Lim ..... D14/240  
D604,723 S \* 11/2009 Bodley ..... D14/225  
D610,156 S \* 2/2010 Mudrick ..... D14/480.5  
D621,371 S \* 8/2010 Sheppard ..... D13/168  
D642,585 S \* 8/2011 Lan ..... D14/480.5  
D688,255 S \* 8/2013 Daniel ..... D14/480.4  
D706,278 S \* 6/2014 Fukuoka ..... D14/480.5  
D798,275 S \* 9/2017 Huang ..... D14/218

OTHER PUBLICATIONS

Qukot Ultrasonic Skin Scrubber Spatula, first available Feb. 12, 2021, amazon.com, [online], [site visited Apr. 21, 2022], Available from internet URL: [https://www.amazon.com/dp/B08V922J6Q/ref=sspa\\_dk\\_detail\\_8?psc=1&pf\\_rd\\_p=57cbdc41-b731-4e3d-aca7-49078b13a07b&pd\\_rd\\_wg=Lvt3E&pf\\_rd%2%80%A6](https://www.amazon.com/dp/B08V922J6Q/ref=sspa_dk_detail_8?psc=1&pf_rd_p=57cbdc41-b731-4e3d-aca7-49078b13a07b&pd_rd_wg=Lvt3E&pf_rd%2%80%A6) (Year: 2021).  
PASNOWFU Upgrade Cube Ice Face Roller, first available Dec. 29, 2021, amazon.com, [online], [site visited Apr. 21, 2022], Available from internet URL: [https://www.amazon.com/dp/B09LSBGQ12/ref=sspa\\_dk\\_detail\\_2?pd\\_rd\\_i=B09LSBGQ12&pd\\_rd\\_w=dRegA&pf\\_rd\\_p=57cbdc41-b731-4e3d-aca7-490%2%80%A6](https://www.amazon.com/dp/B09LSBGQ12/ref=sspa_dk_detail_2?pd_rd_i=B09LSBGQ12&pd_rd_w=dRegA&pf_rd_p=57cbdc41-b731-4e3d-aca7-490%2%80%A6) (Year: 2021).\*

\* cited by examiner

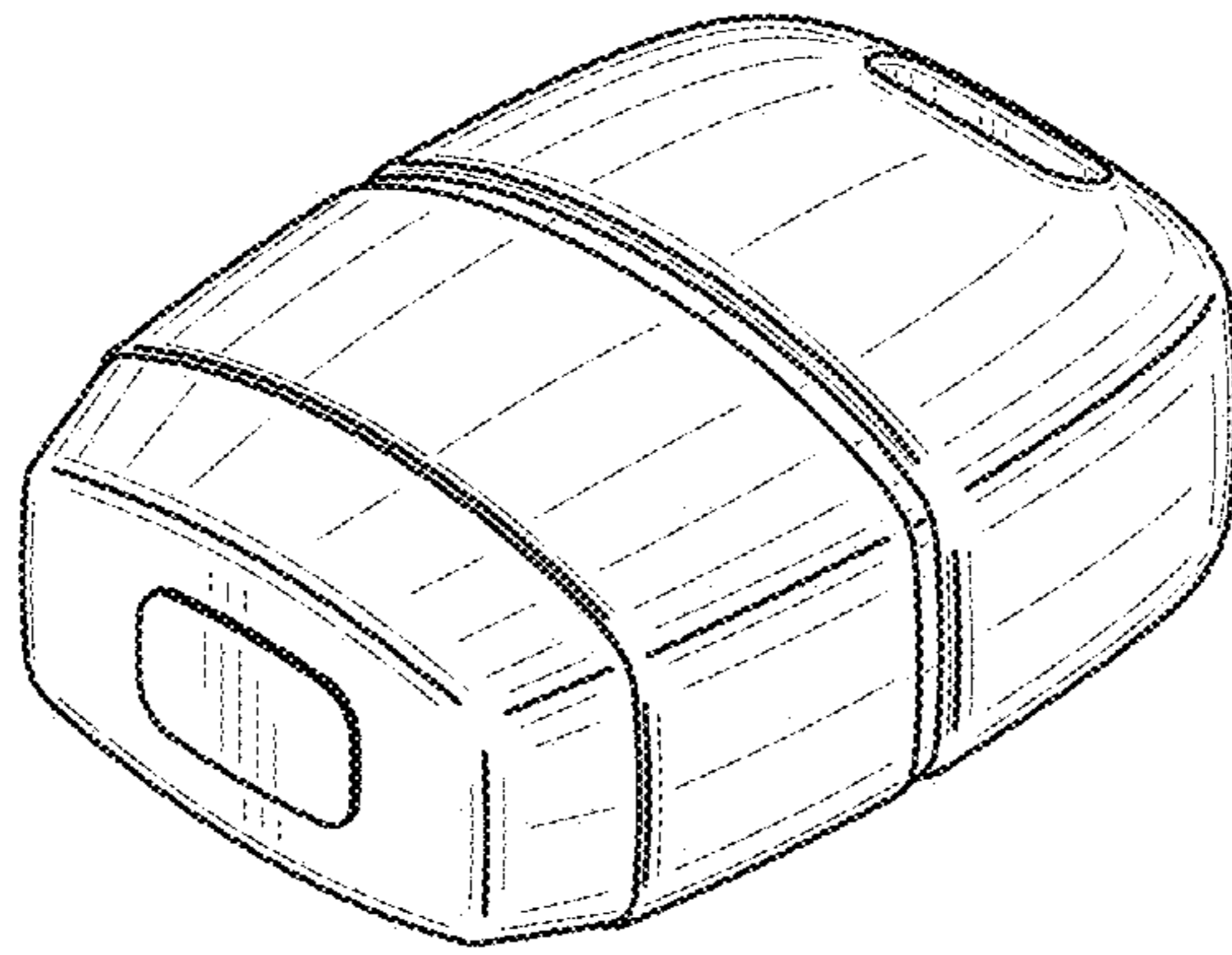


FIG. 1

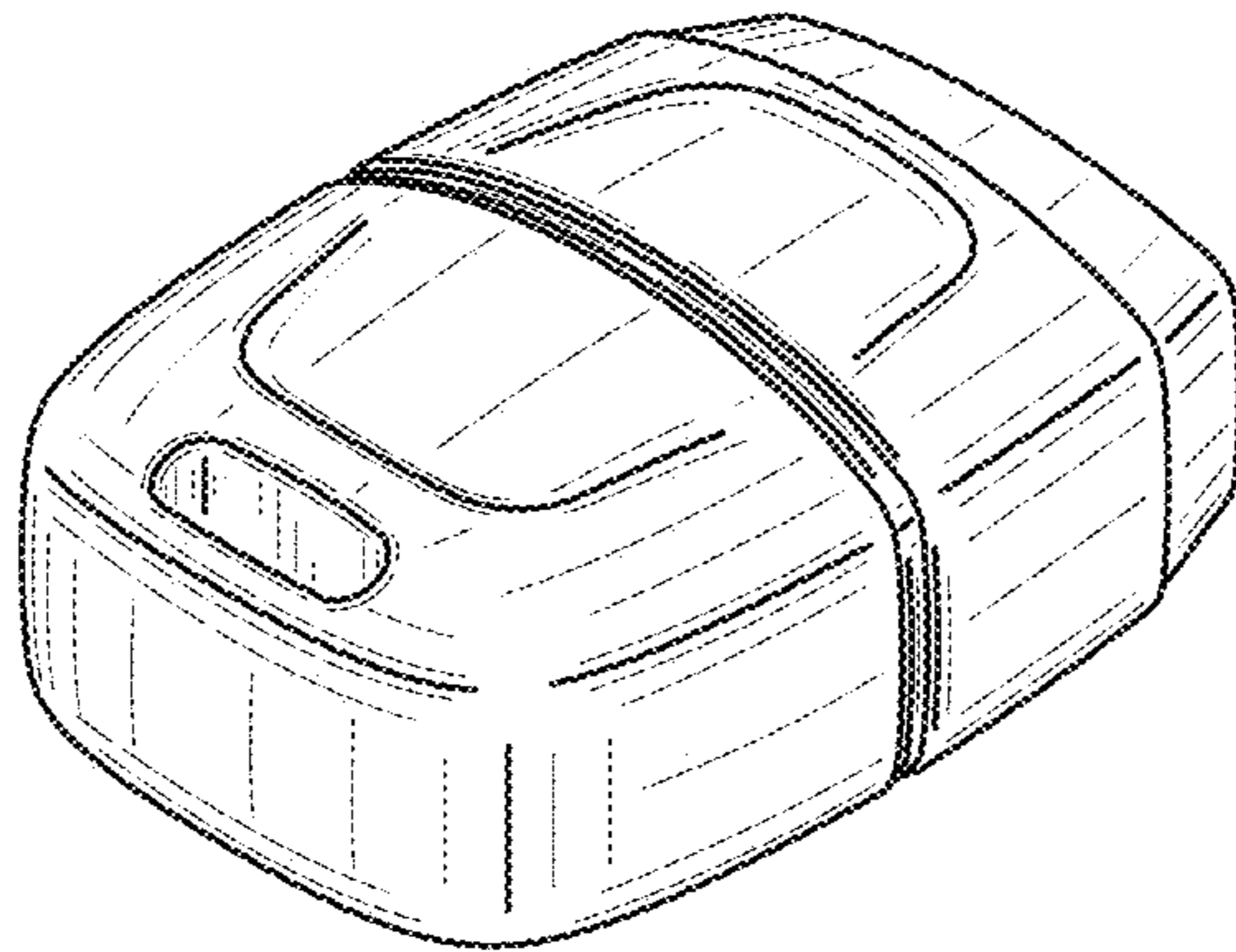


FIG. 2

FIG. 3

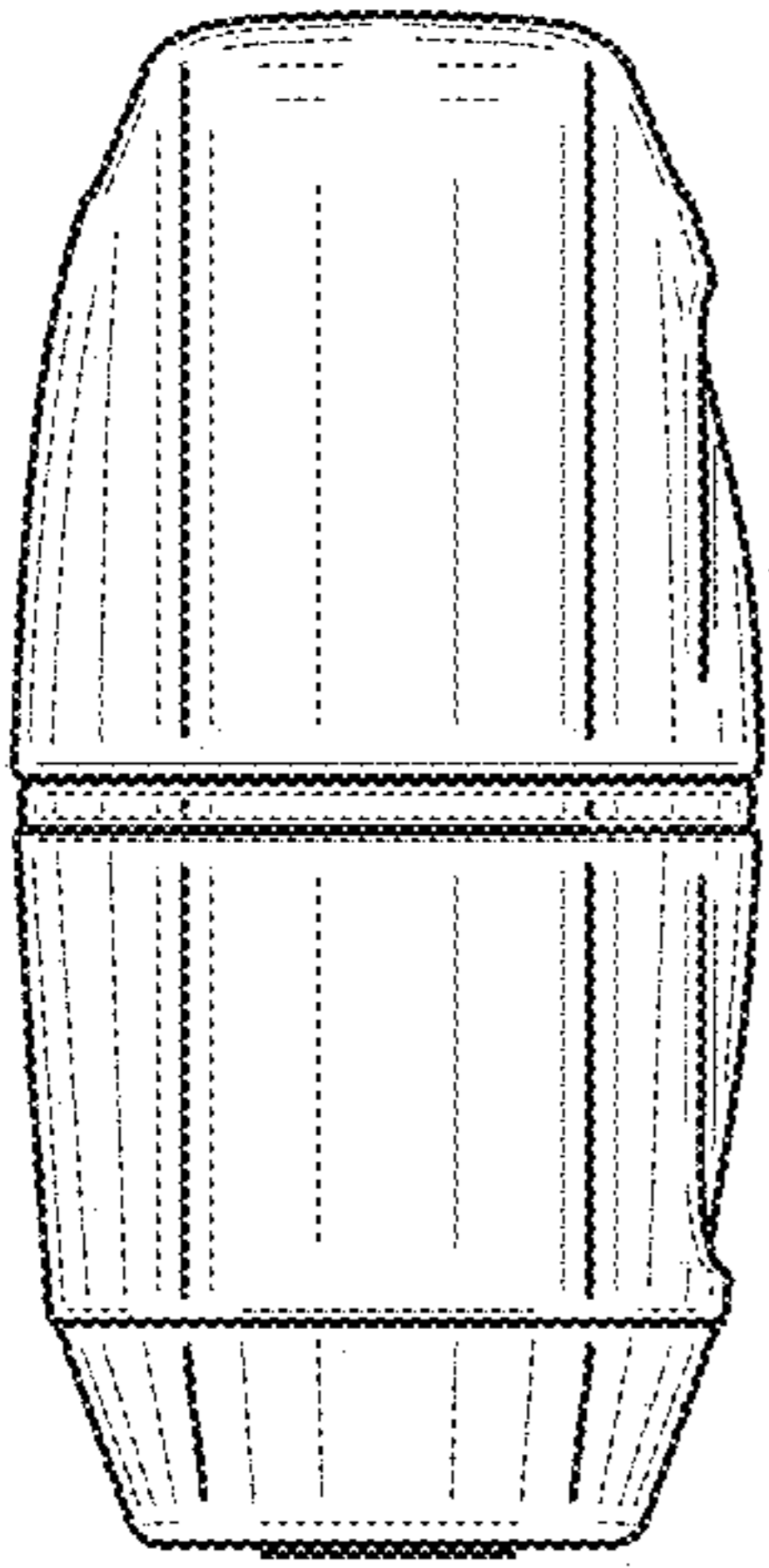
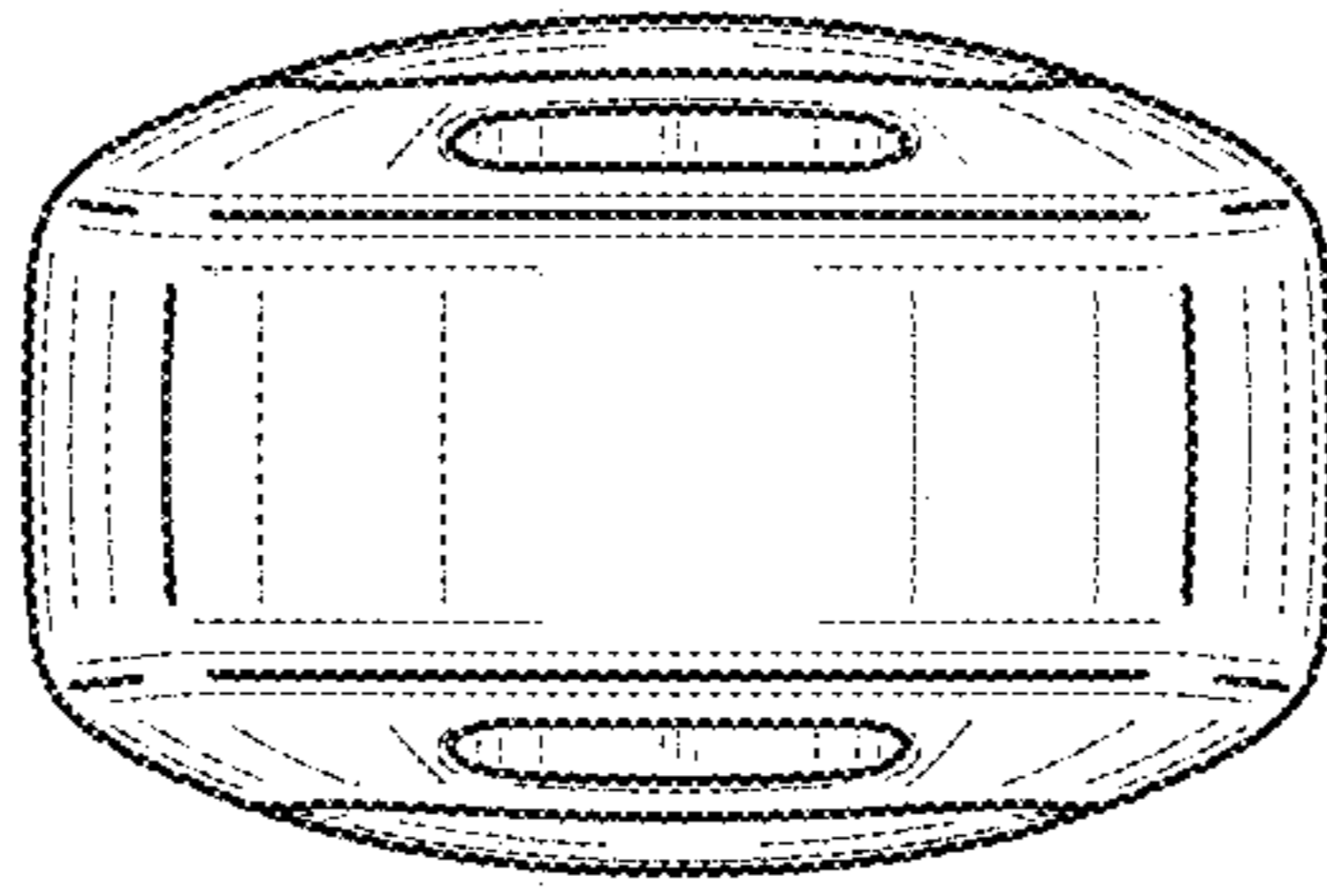


FIG. 4

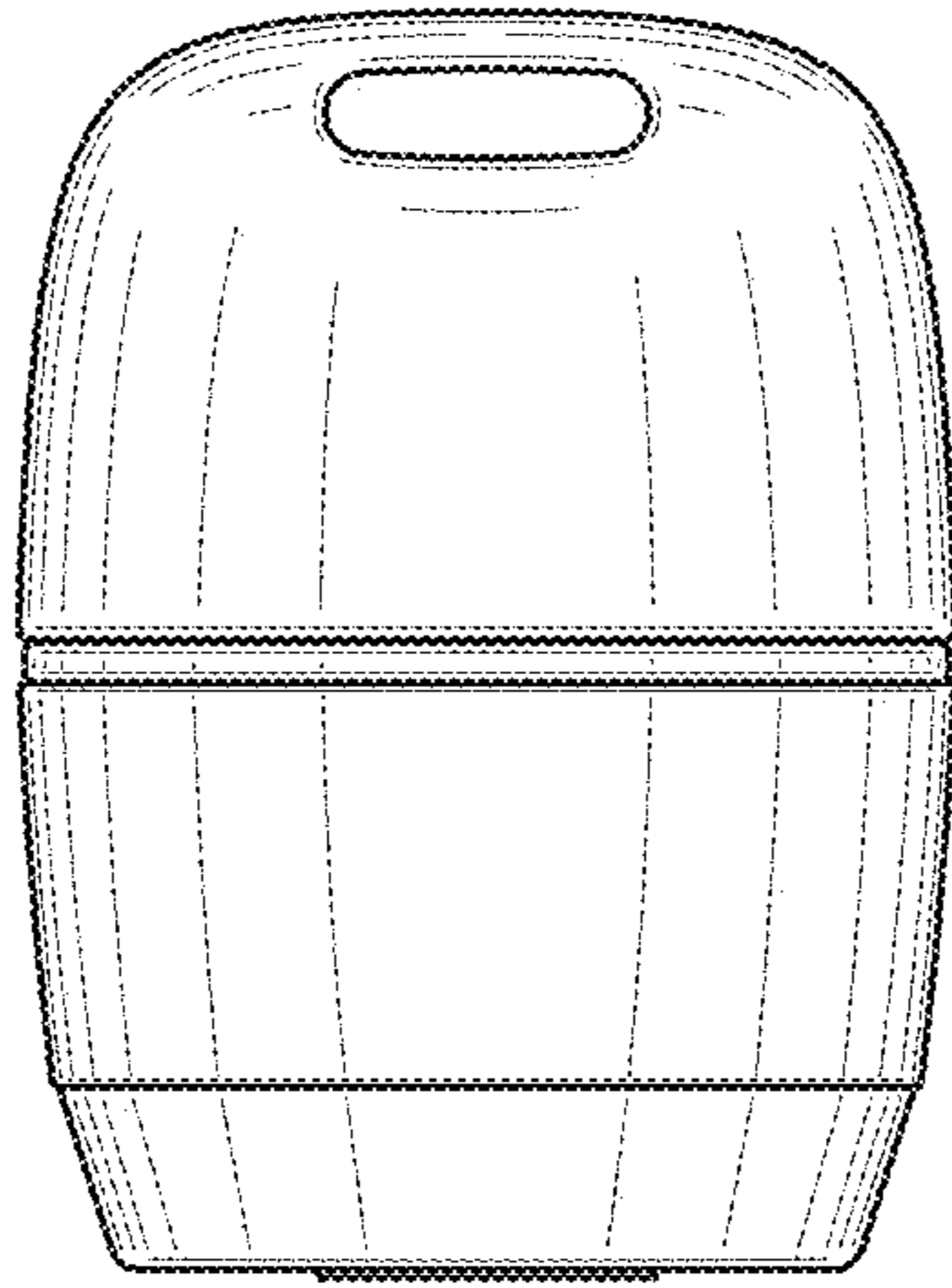


FIG. 5

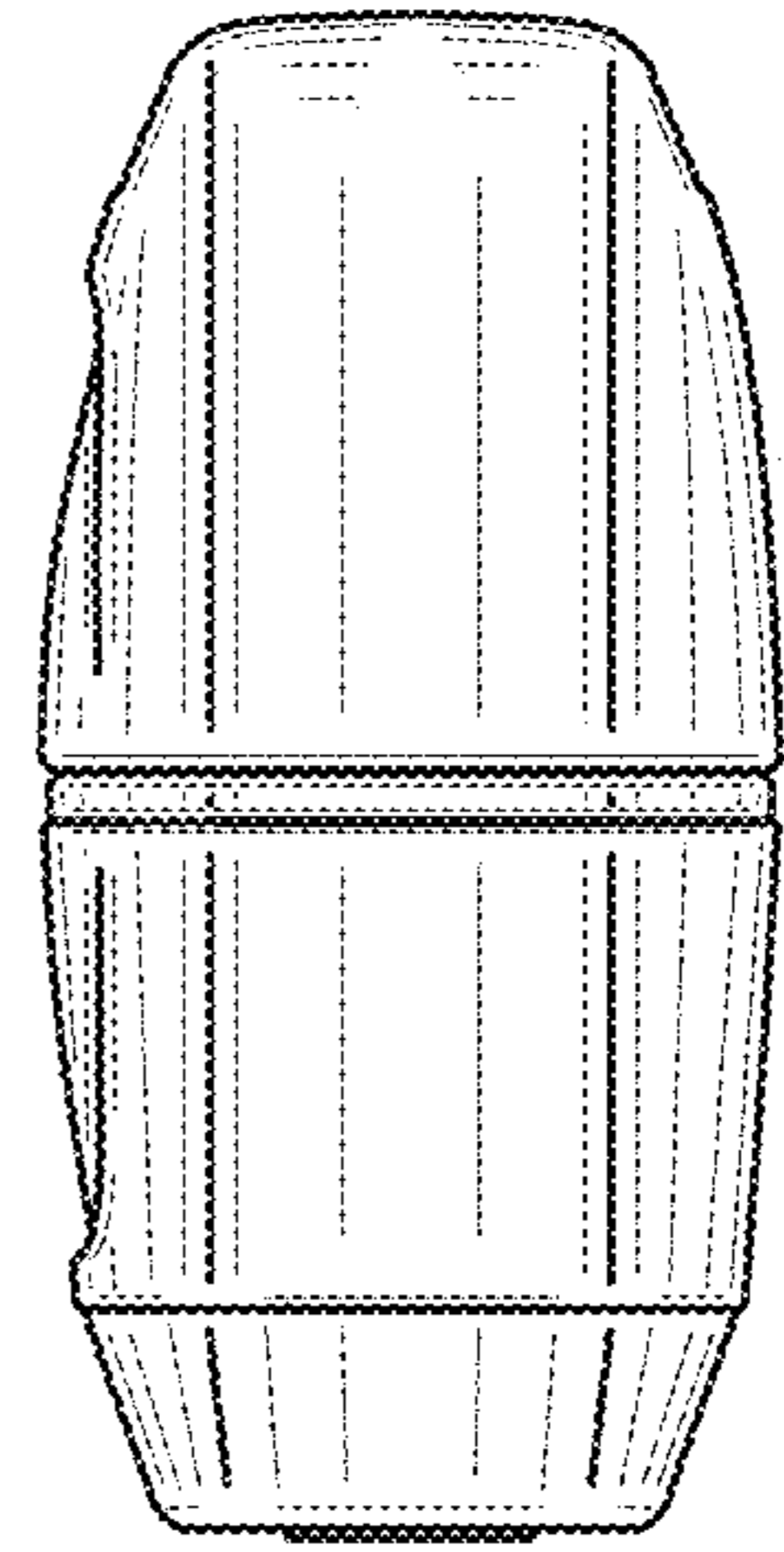


FIG. 6

FIG. 7

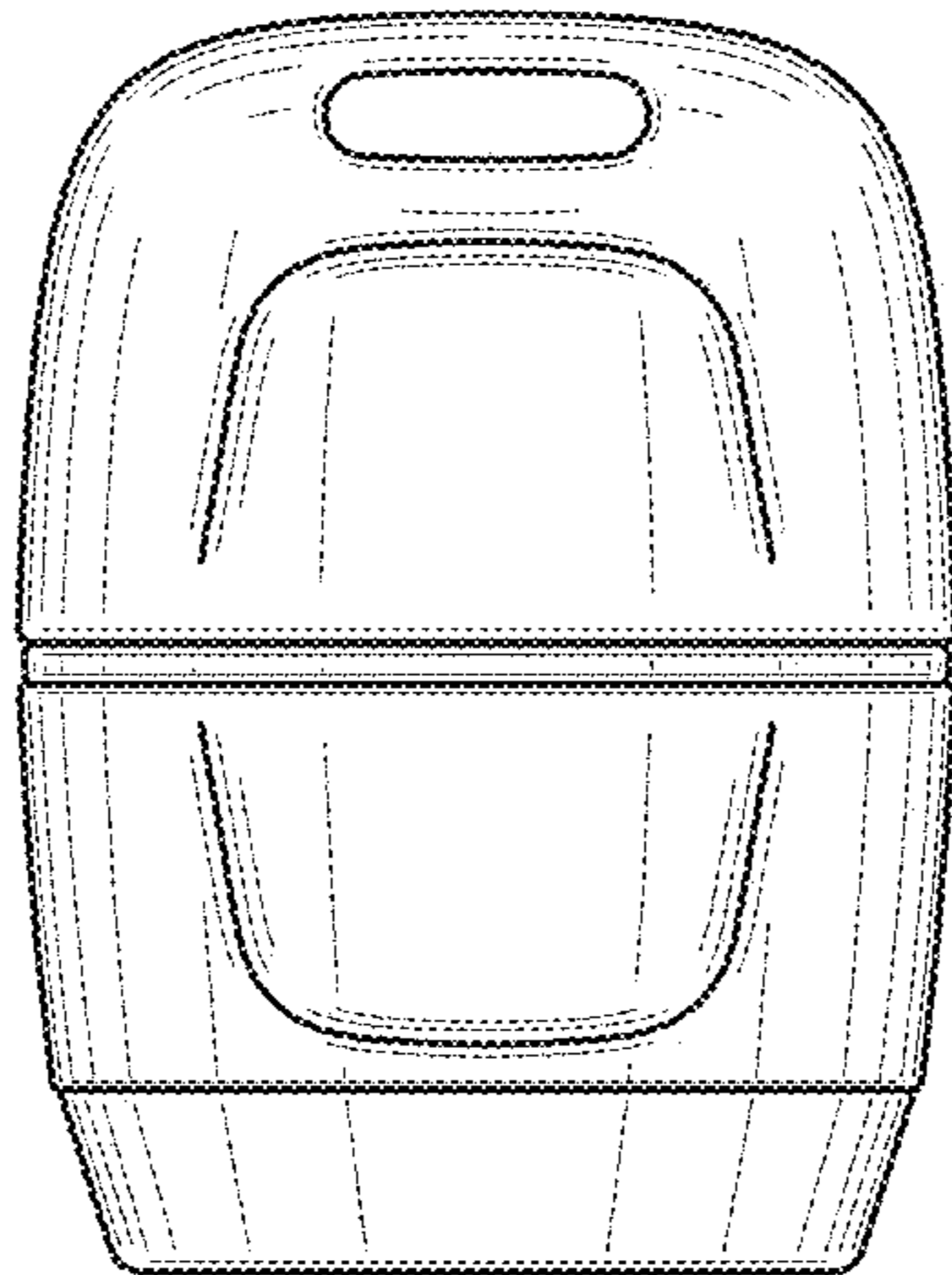
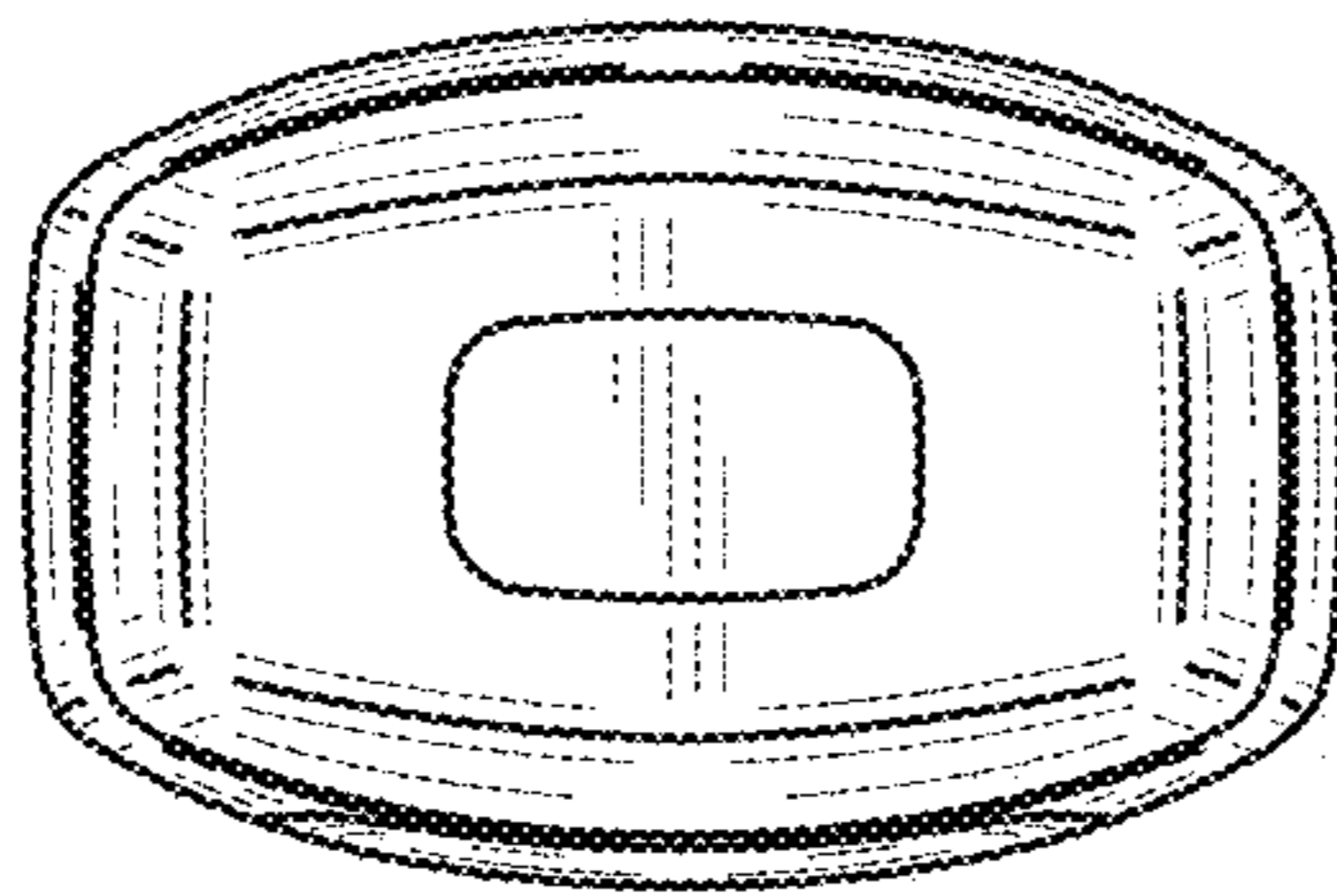


FIG. 8

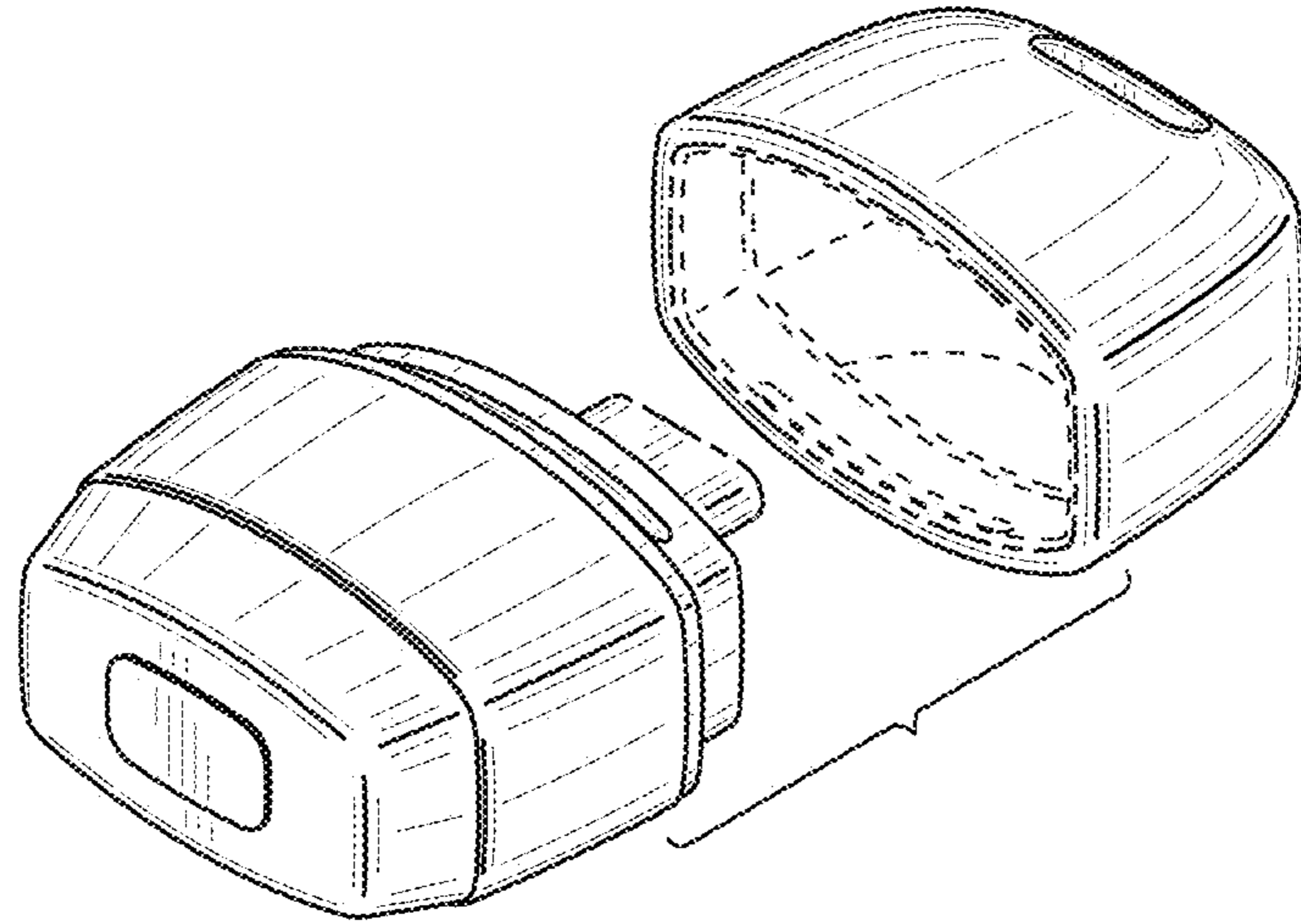


FIG. 9

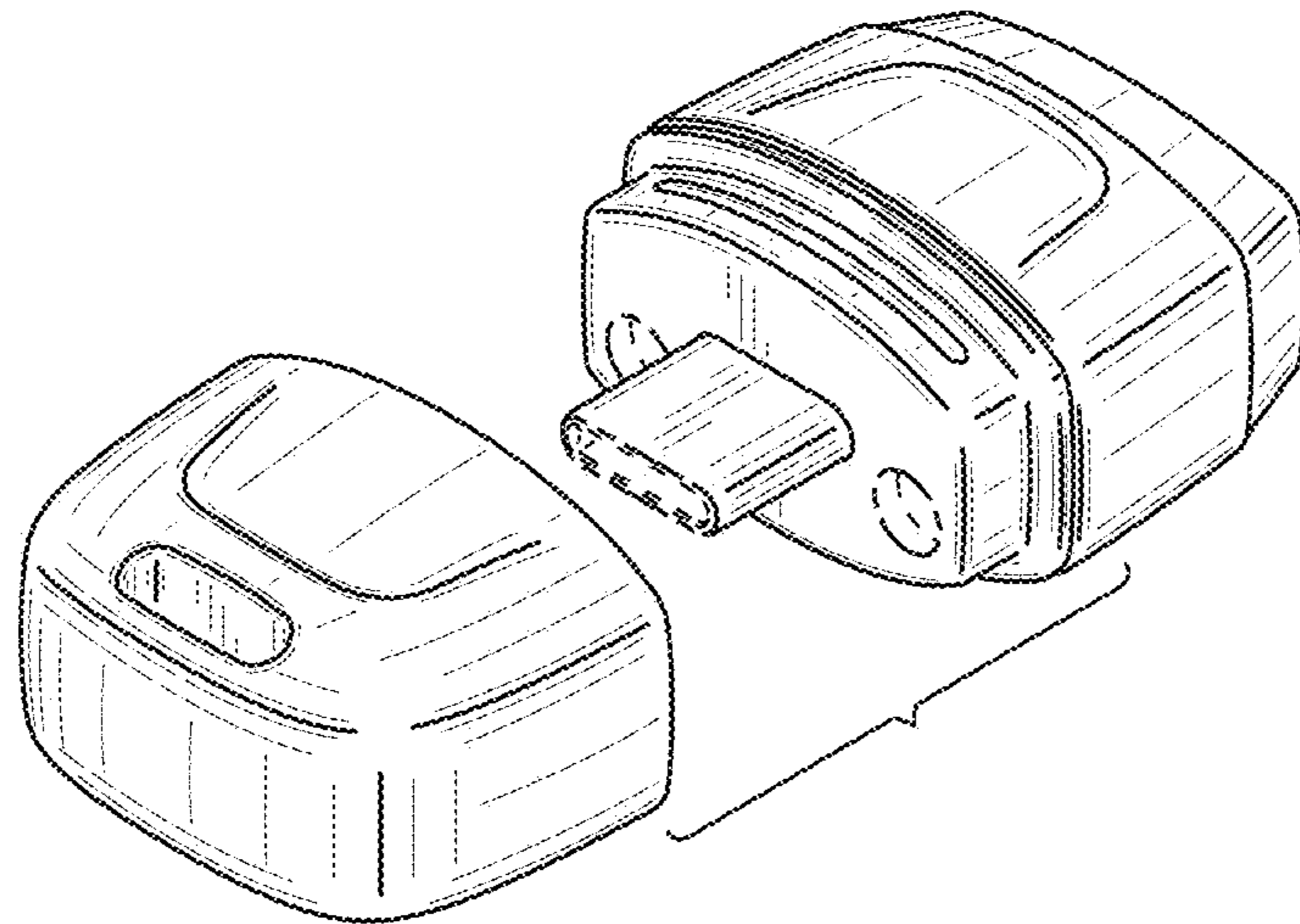


FIG. 10