



US00D963174S

(12) **United States Design Patent**  
**Calland**

(10) **Patent No.:** **US D963,174 S**

(45) **Date of Patent:** **\*\* Sep. 6, 2022**

(54) **PACIFIER FOR BABIES**

(71) Applicant: **Mayborn (UK) Limited**, Newcastle Upon Tyne (GB)

(72) Inventor: **Benedict Calland**, Newcastle Upon Tyne (GB)

(73) Assignee: **Mayborn (UK) Limited**, Newcastle upon Tyne (GB)

(\*\*) Term: **15 Years**

(21) Appl. No.: **29/729,120**

(22) Filed: **Mar. 24, 2020**

(51) **LOC (13) Cl.** ..... **24-04**

(52) **U.S. Cl.**  
USPC ..... **D24/194**

(58) **Field of Classification Search**  
USPC ..... D24/115, 117, 193, 194, 195, 196, 197, D24/198; D30/160; D7/392.1; D3/293, D3/301  
CPC ..... A61J 17/001  
See application file for complete search history.

(56) **References Cited**

**U.S. PATENT DOCUMENTS**

5,403,349	A *	4/1995	Rohrig	.....	A61J 17/10 606/234
D439,983	S *	4/2001	Dealing	.....	D24/194
D444,880	S *	7/2001	Johansen	.....	D24/194
D564,665	S *	3/2008	Kim	.....	D24/197
D660,441	S *	5/2012	Weber	.....	D24/196
RE43,730	E *	10/2012	Pils	.....	D24/194
D700,344	S *	2/2014	Jackson-Berry	.....	D24/194
D841,174	S *	2/2019	Wagenknecht	.....	D24/197
D869,651	S *	12/2019	Du	.....	D24/115
D930,816	S *	9/2021	Zhang	.....	D24/109
2004/0124168	A1 *	7/2004	Silver	.....	A61J 11/0015 215/11.1
2012/0053632	A1 *	3/2012	Tirosh	.....	A61J 17/001 606/236
2016/0296424	A1 *	10/2016	Eerden	.....	A61J 17/113

**OTHER PUBLICATIONS**

“Tomme Tippee: Breast-Like Pacifier”. Found online Feb. 1, 2021 at facebook.com. Reference dated Jan. 23, 2019. Retrieved from [https://www.facebook.com/TommeTippeeNorthAmerica/photos/a.266502723938/10157174340468939/?type=3.\\*](https://www.facebook.com/TommeTippeeNorthAmerica/photos/a.266502723938/10157174340468939/?type=3.*)

“Tomme Tippee: Breast-Like Pacifier”. Found online Apr. 3, 2020 at instagram.com. Reference dated Feb. 4, 2019. Retrieved from [https://www.instagram.com/p/Btd\\_3VrAFfs/](https://www.instagram.com/p/Btd_3VrAFfs/).

“Nuby: SoftFlex Orthodontic Pacifier”. Found online Apr. 20, 2020 at amazon.com. Reference dated Feb. 3, 2011. Retrieved from [https://www.amazon.com/Nuby-2-Pack-SoftFlex-Orthodontic-Pacifiers/dp/B00290JYDI/ref=cm\\_cr\\_ar\\_p\\_d\\_product\\_top?ie=UTF8.\\*](https://www.amazon.com/Nuby-2-Pack-SoftFlex-Orthodontic-Pacifiers/dp/B00290JYDI/ref=cm_cr_ar_p_d_product_top?ie=UTF8.*)

“Nanobebe: Newborn Pacifer”. Found online Apr. 4, 2020 at amazon.co.uk. Reference dated May 9, 2018. Retrieved from [https://www.amazon.co.uk/nanobebe-Pacifiers-Orthodontic-Lightweight-Ergonomic/dp/B07CZ12B3L/ref=sr\\_1\\_4?.\\*](https://www.amazon.co.uk/nanobebe-Pacifiers-Orthodontic-Lightweight-Ergonomic/dp/B07CZ12B3L/ref=sr_1_4?.*)

\* cited by examiner

*Primary Examiner* — Kendra Leslie Hamilton

(74) *Attorney, Agent, or Firm* — Jane Du

(57) **CLAIM**

The ornamental design for a pacifier for babies, as shown and described.

**DESCRIPTION**

FIG. 1 is a front elevation view of a pacifier for babies showing the new design.

FIG. 2 is a rear elevation view thereof.

FIG. 3 is a right side elevation view thereof.

FIG. 4 is a left side elevation view thereof.

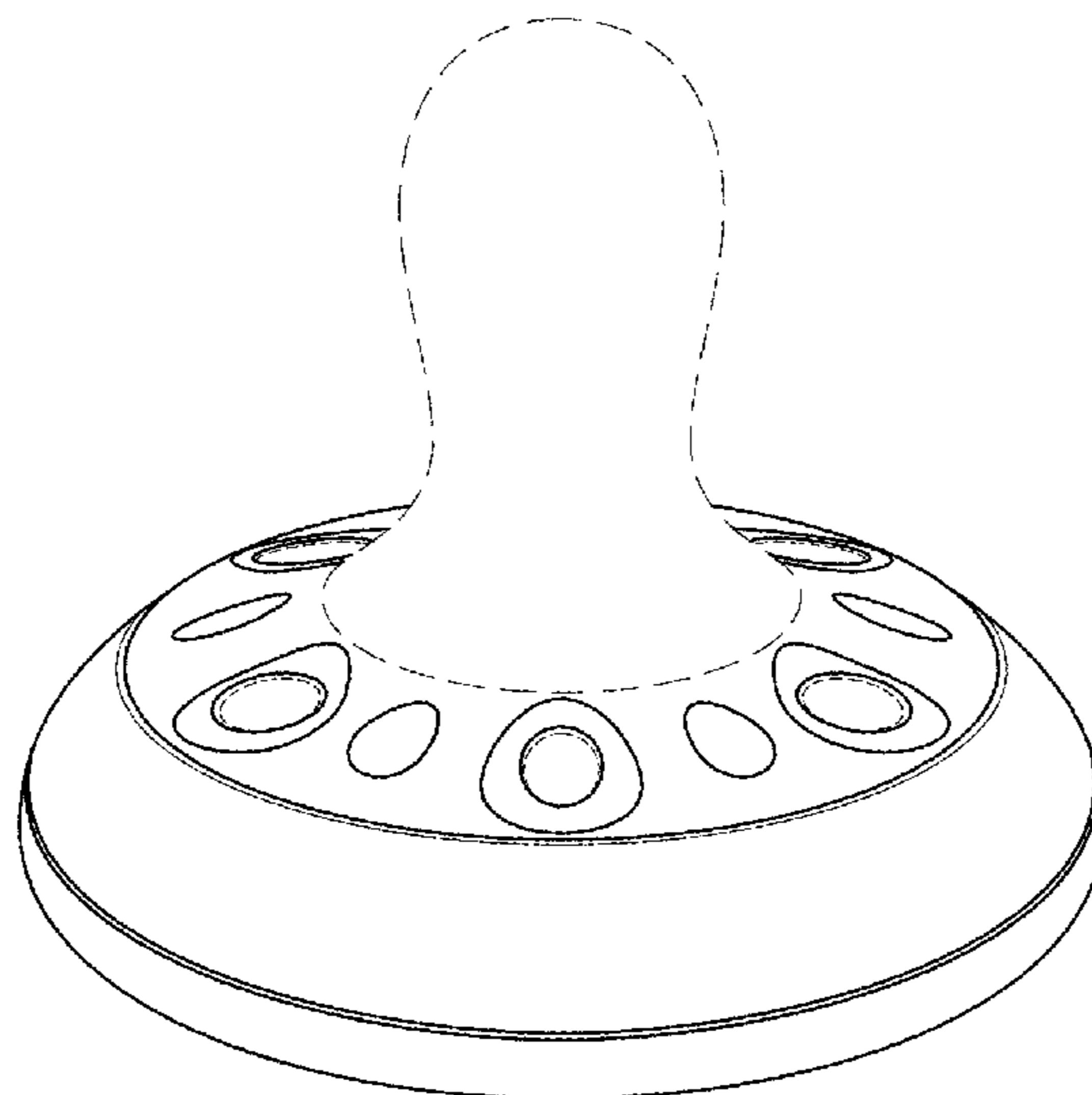
FIG. 5 is a top plan view thereof.

FIG. 6 is a bottom plan view thereof; and,

FIG. 7 is a top, front, right perspective view thereof.

In the drawings, the broken lines depict portions of the pacifier for babies that form no part of the claimed design.

**1 Claim, 7 Drawing Sheets**



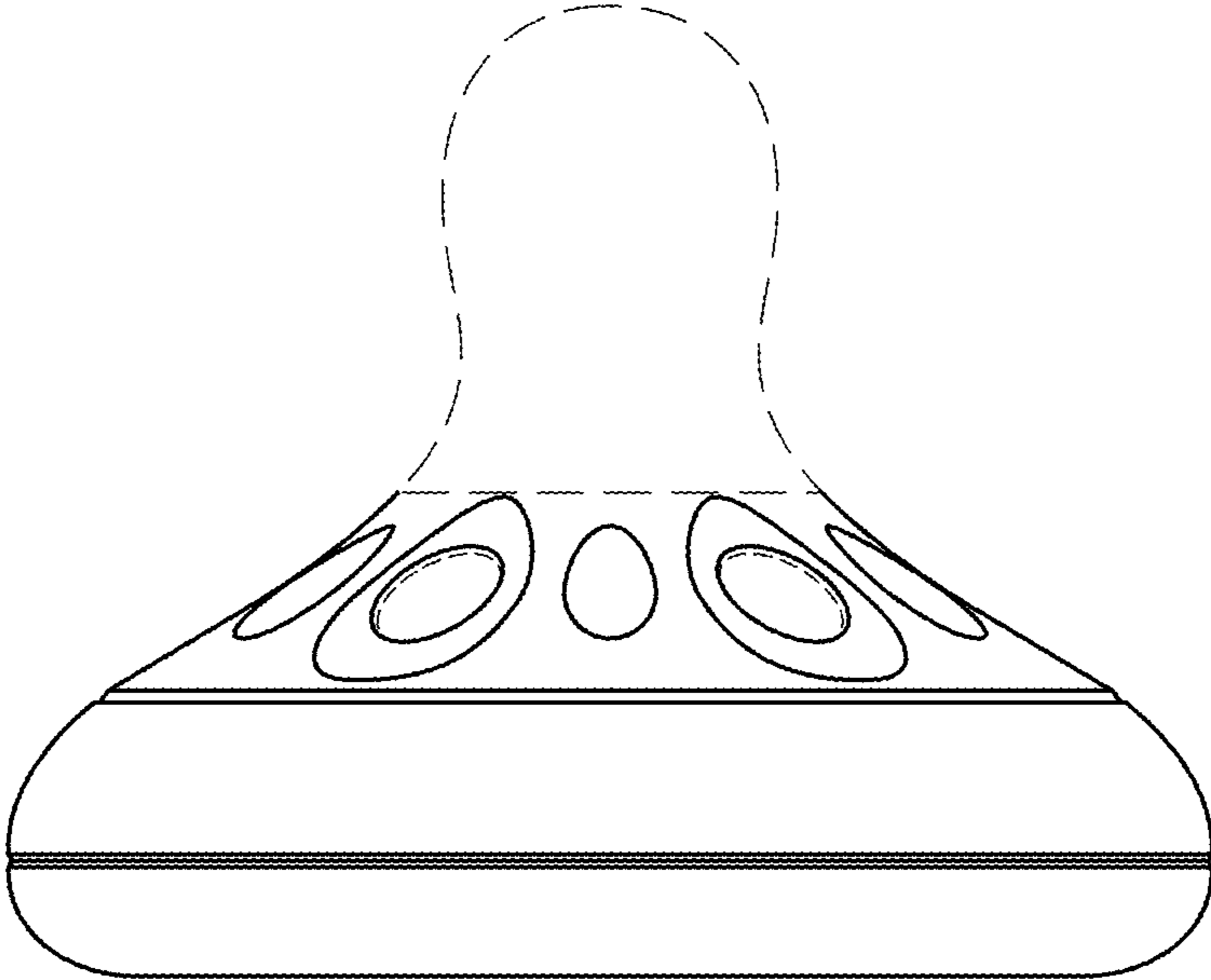


FIG. 1

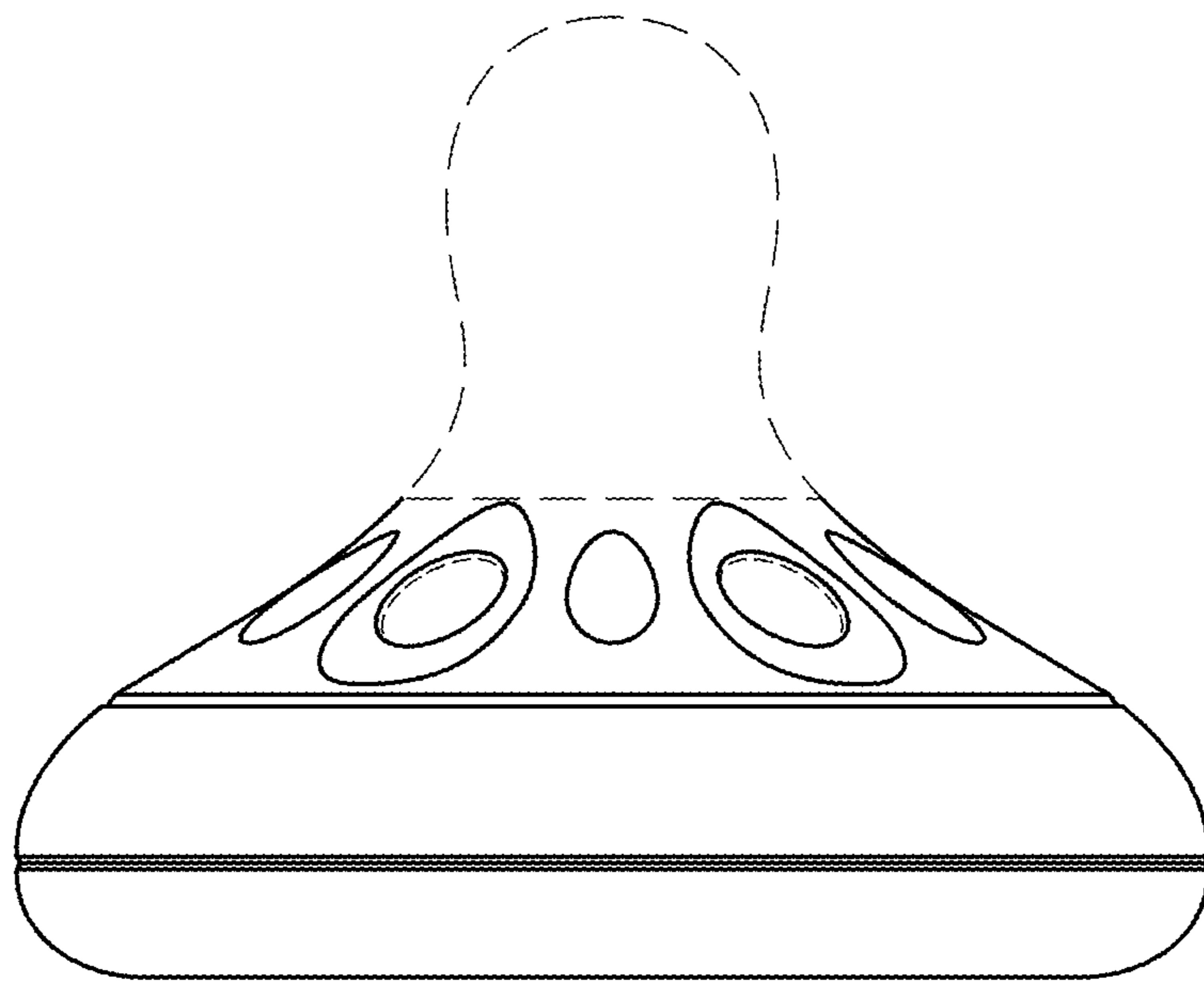


FIG. 2

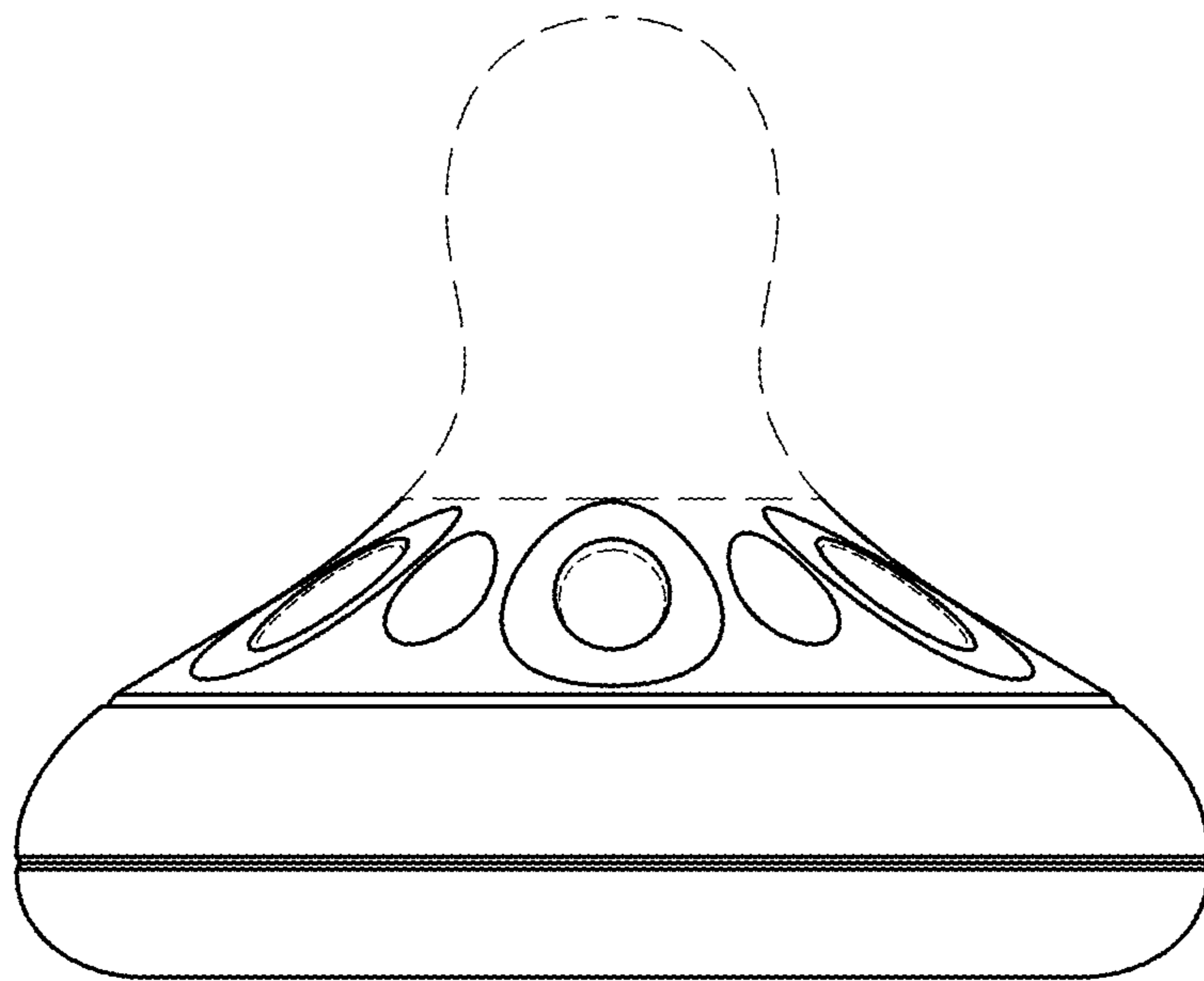


FIG. 3

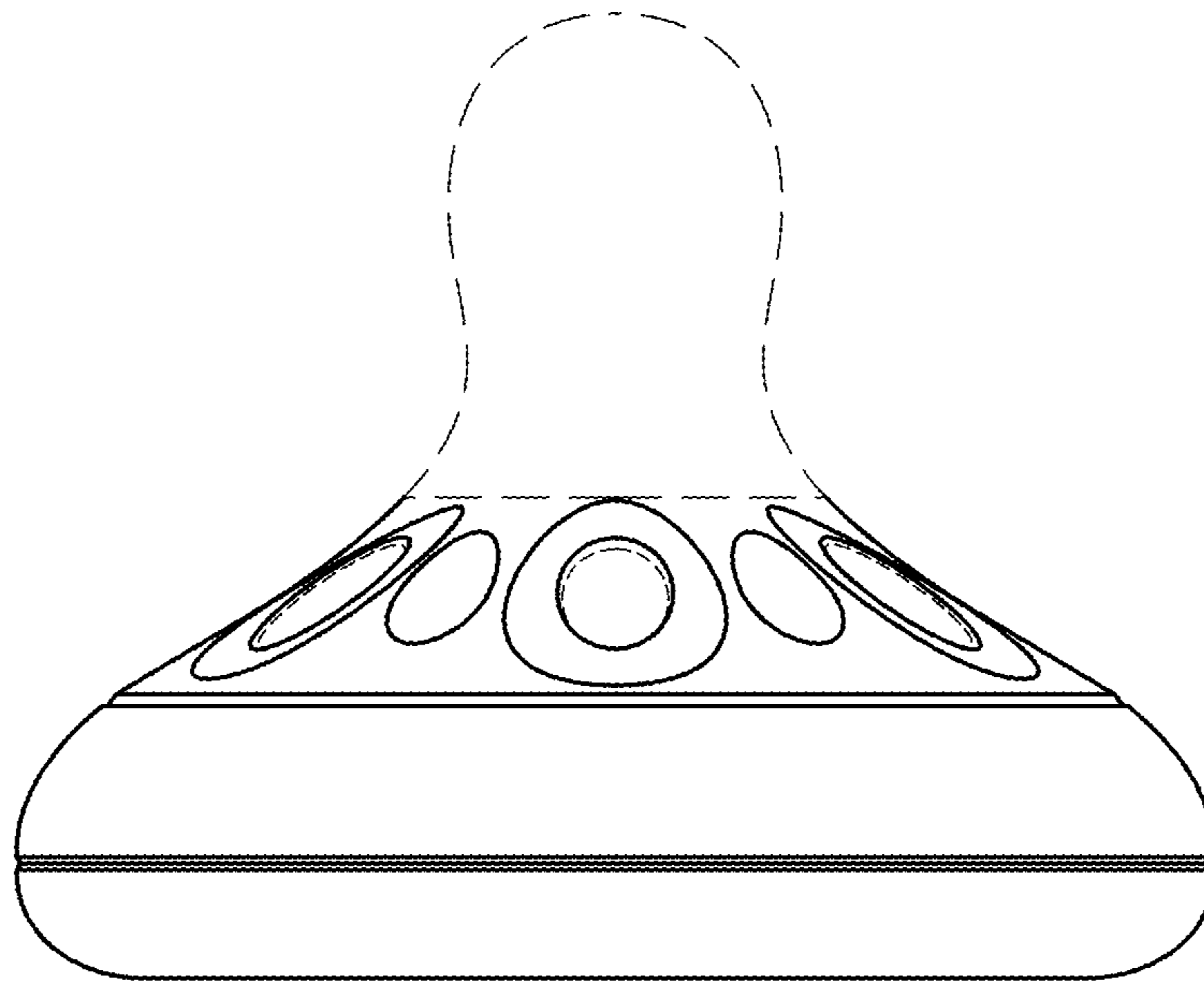


FIG. 4

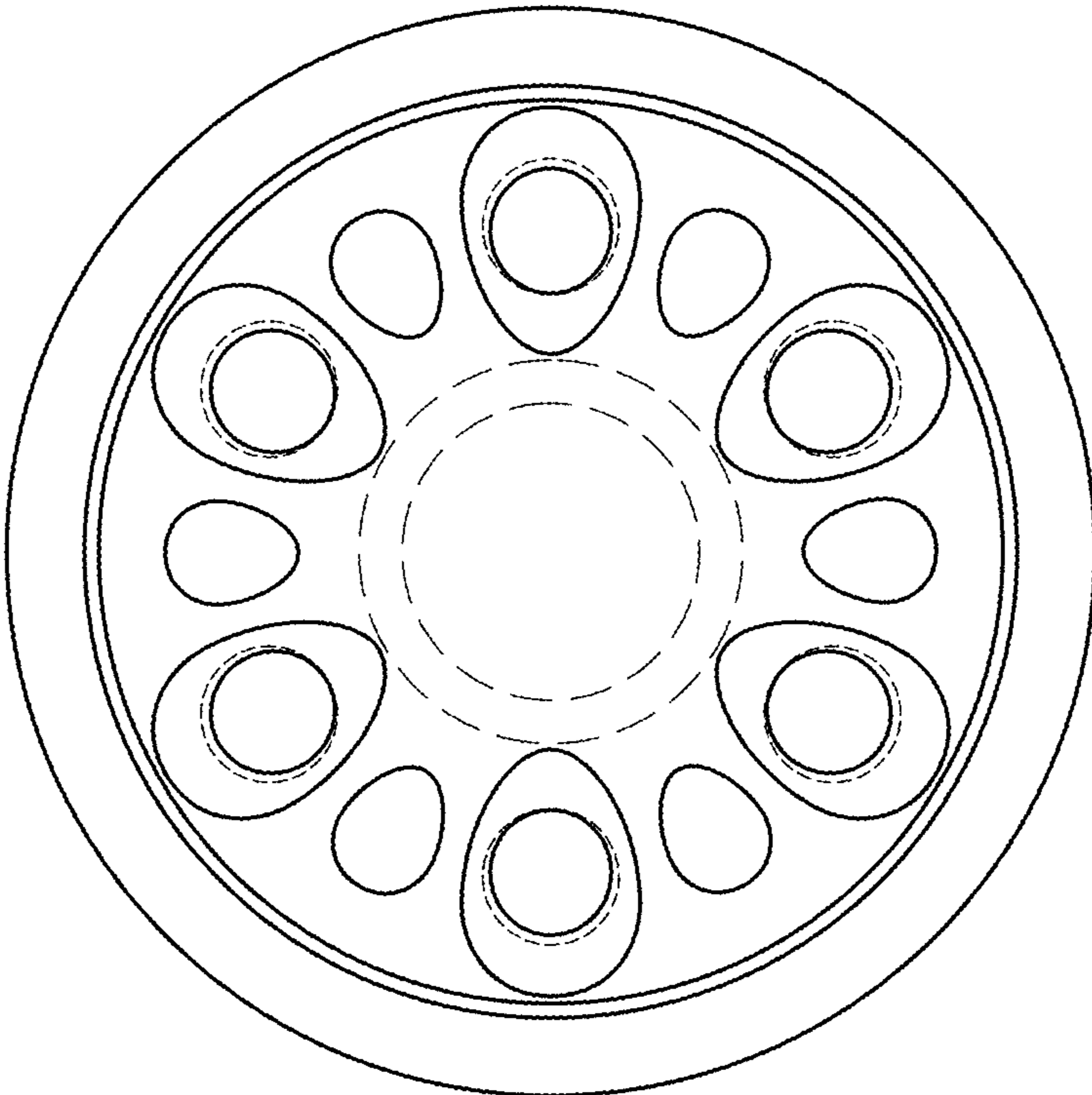


FIG. 5

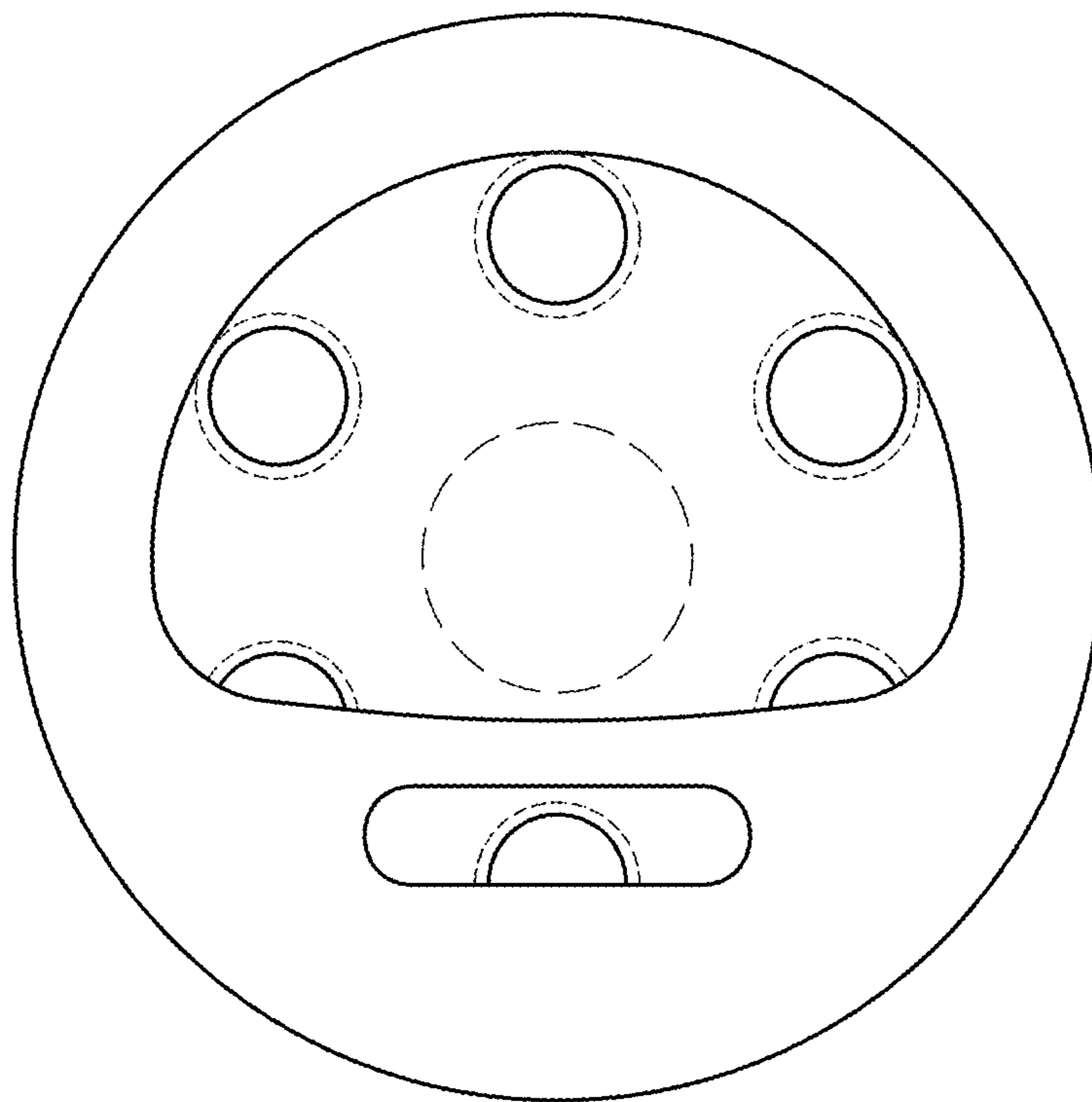


FIG. 6

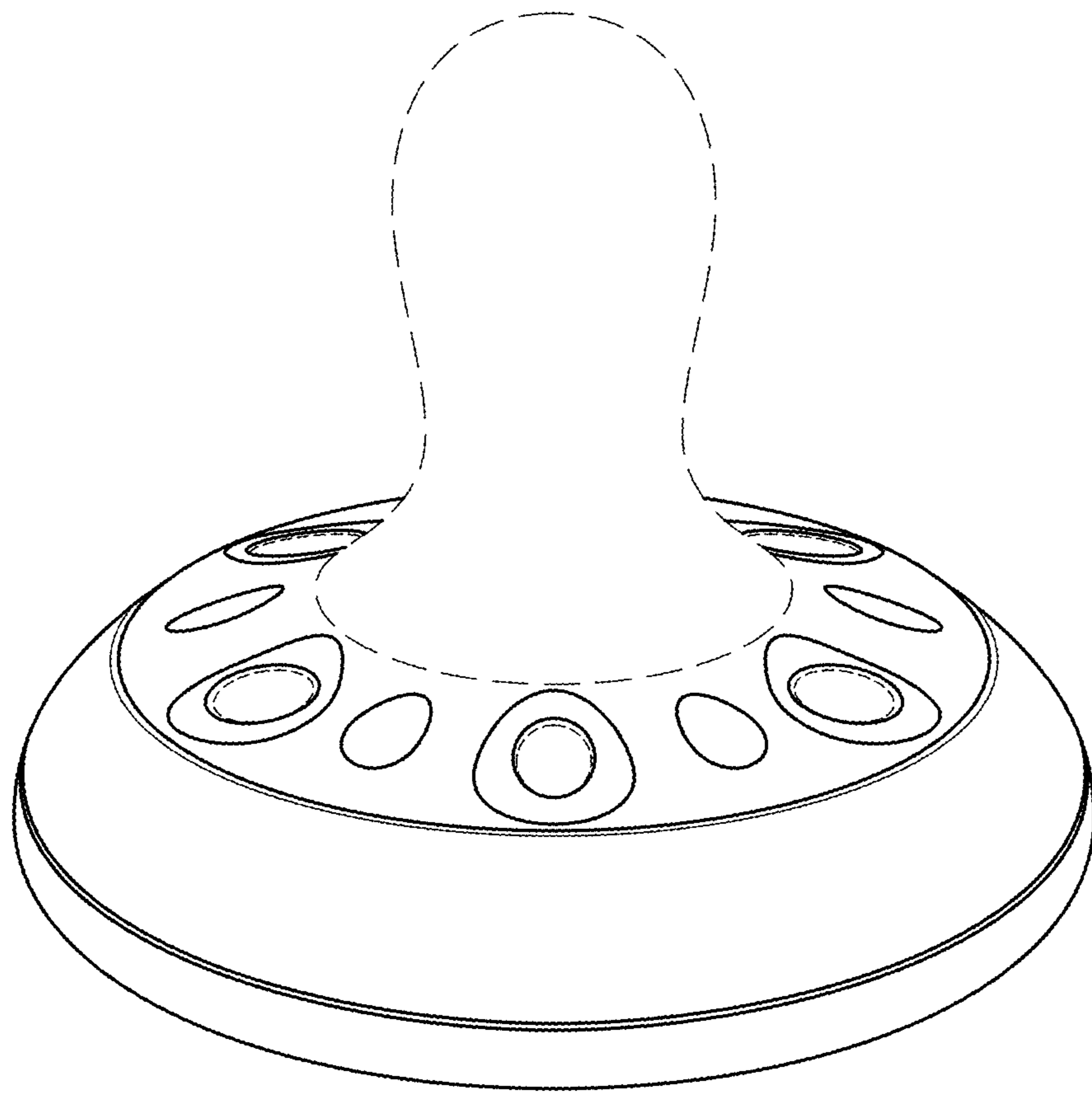


FIG. 7