



US00D963172S

(12) **United States Design Patent** (10) **Patent No.:** **US D963,172 S**
Gupta et al. (45) **Date of Patent:** **** Sep. 6, 2022**

(54) **CART**

(74) *Attorney, Agent, or Firm* — McCoy Russell LLP

(71) Applicant: **GE Precision Healthcare LLC**,
Milwaukee, WI (US)

(57) **CLAIM**

The ornamental design for a cart, as shown and described.

(72) Inventors: **Ashish Gupta**, Karnataka (IN);
Mahendra Patil, Karnataka (IN)

DESCRIPTION

(73) Assignee: **GE Precision Healthcare LLC**,
Milwaukee, WI (US)

FIG. 1 is a front-right perspective view of a cart according to a first embodiment of the claimed design.

(**) Term: **15 Years**

FIG. 2 is a bottom-left perspective view of the cart of FIG. 1.

(21) Appl. No.: **29/790,079**

FIG. 3 is a front view of the cart of FIG. 1.

(22) Filed: **Nov. 3, 2021**

FIG. 4 is a rear view of the cart of FIG. 1.

Related U.S. Application Data

(62) Division of application No. 29/731,529, filed on Apr. 15, 2020, now Pat. No. Des. 938,046.

FIG. 5 is a left side view of the cart of FIG. 1.

(51) **LOC (13) Cl.** **24-01**

FIG. 6 is a right side view of the cart of FIG. 1.

(52) **U.S. Cl.**
USPC **D24/186; D24/185**

FIG. 7 is a top view of the cart of FIG. 1.

(58) **Field of Classification Search**
USPC D24/107, 158, 160, 185, 186, 187, 231,
D24/232; D14/391, 392, 397, 455, 456,
D14/315, 318; D18/1, 2, 7, 52, 53
(Continued)

FIG. 8 is a bottom view of the cart of FIG. 1.

FIG. 9 is an enlarged view of the enclosed portion in FIG. 1.

FIG. 10 is a front-right perspective view of a cart according to a second embodiment of the claimed design.

FIG. 11 is a bottom-left perspective view of the cart of FIG. 10.

FIG. 12 is a front view of the cart of FIG. 10.

FIG. 13 is a rear view of the cart of FIG. 10.

FIG. 14 is a left side view of the cart of FIG. 10.

FIG. 15 is a right side view of the cart of FIG. 10.

FIG. 16 is a top view of the cart of FIG. 10.

FIG. 17 is a bottom view of the cart of FIG. 10; and,

FIG. 18 is an enlarged view of the enclosed portion in FIG. 10.

The dash-dash broken lines in the drawings illustrate portions of the cart that form no part of the claimed design.

The dash-dot broken lines in FIGS. 1, 9, 10, and 18 of the drawings showing the enclosed portions form no part of the claimed design.

The hatch shading in FIGS. 10, 12-16, and 18 of the drawings represents contrast in appearance, although no particular color is claimed and any pattern formed by the hatch shading forms no part of the claimed design.

1 Claim, 18 Drawing Sheets

References Cited

U.S. PATENT DOCUMENTS

4,160,906 A 7/1979 Daniels et al.

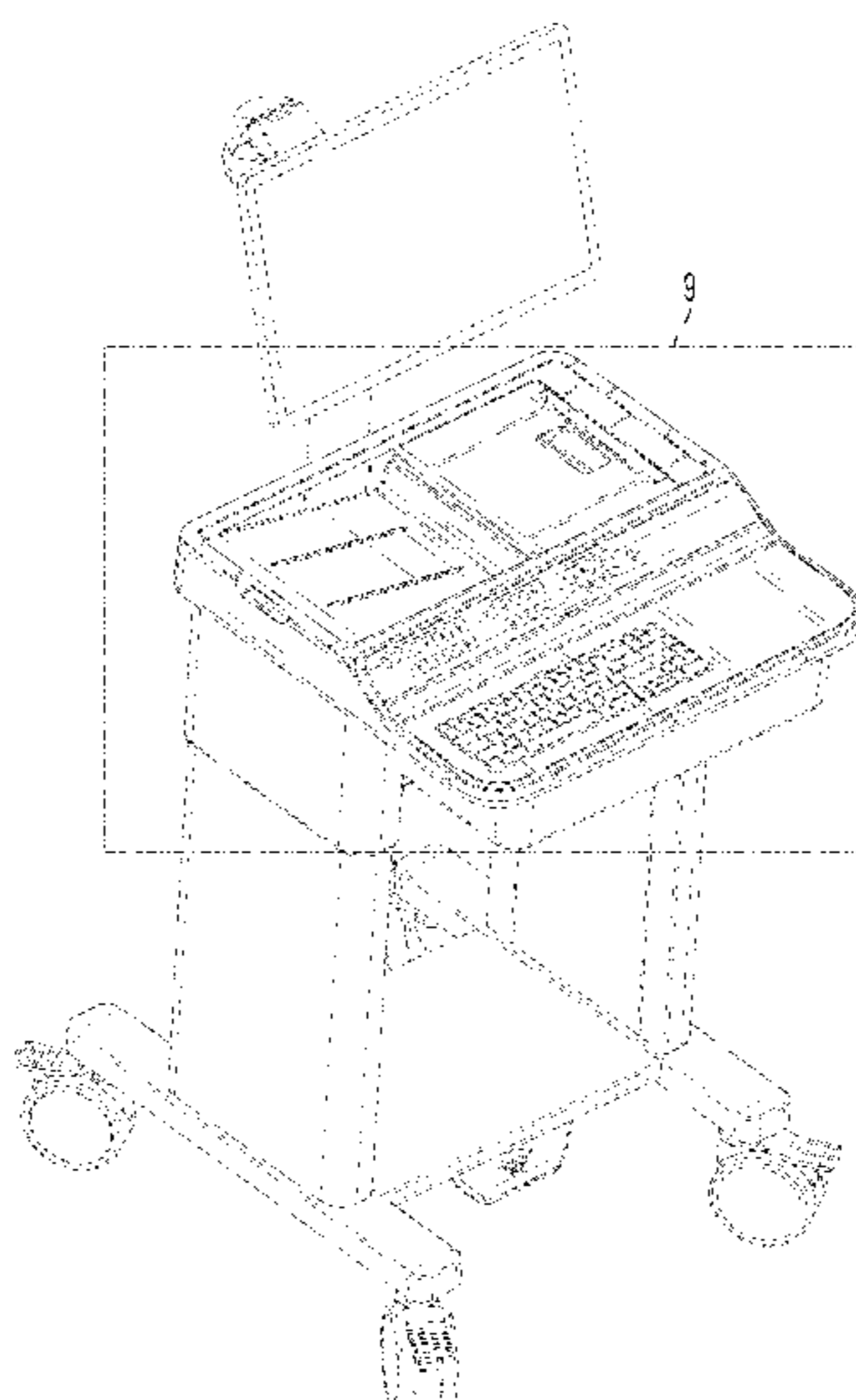
D270,663 S 9/1983 Wiebe

(Continued)

OTHER PUBLICATIONS

Gupta, A. et al., "An Ornamental Design for a Cart Key Panel," U.S. Appl. No. 29/731,515, filed Apr. 15, 2020, 24 pages.

Primary Examiner — Anhdao Doan



(58) **Field of Classification Search**

CPC A61B 8/4405; A61B 8/4416; A61B 8/462;
A61B 8/467; A61B 50/13; A61B 5/338;
A61G 12/001

See application file for complete search history.

(56) **References Cited**

U.S. PATENT DOCUMENTS

4,483,346	A	11/1984	Slavin	
D338,272	S	8/1993	Cuagin et al.	
D355,717	S	2/1995	Murakami et al.	
D399,493	S	10/1998	Nakajima et al.	
D498,301	S	11/2004	Hui	
D541,942	S	5/2007	Hirson et al.	
D695,409	S *	12/2013	Drysdale	D24/185
D714,454	S	9/2014	Amemiya et al.	
D758,586	S	6/2016	Yokoyama et al.	
D820,907	S *	6/2018	Brown	D18/53
D938,045	S *	12/2021	Gupta	D24/185
D938,046	S *	12/2021	Gupta	D24/185
2006/0264746	A1 *	11/2006	Frisa	A61B 8/461 600/447

* cited by examiner

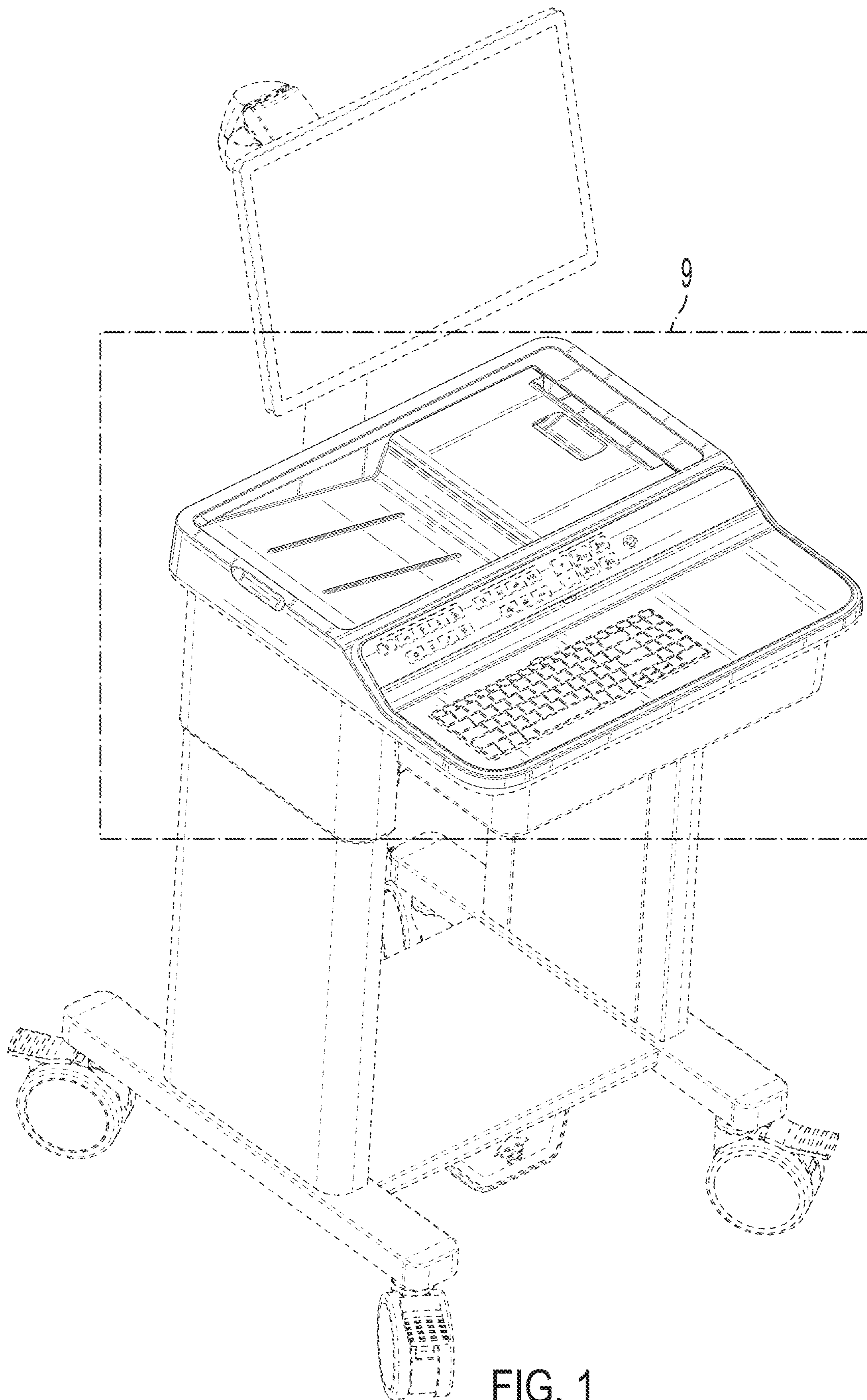


FIG. 1

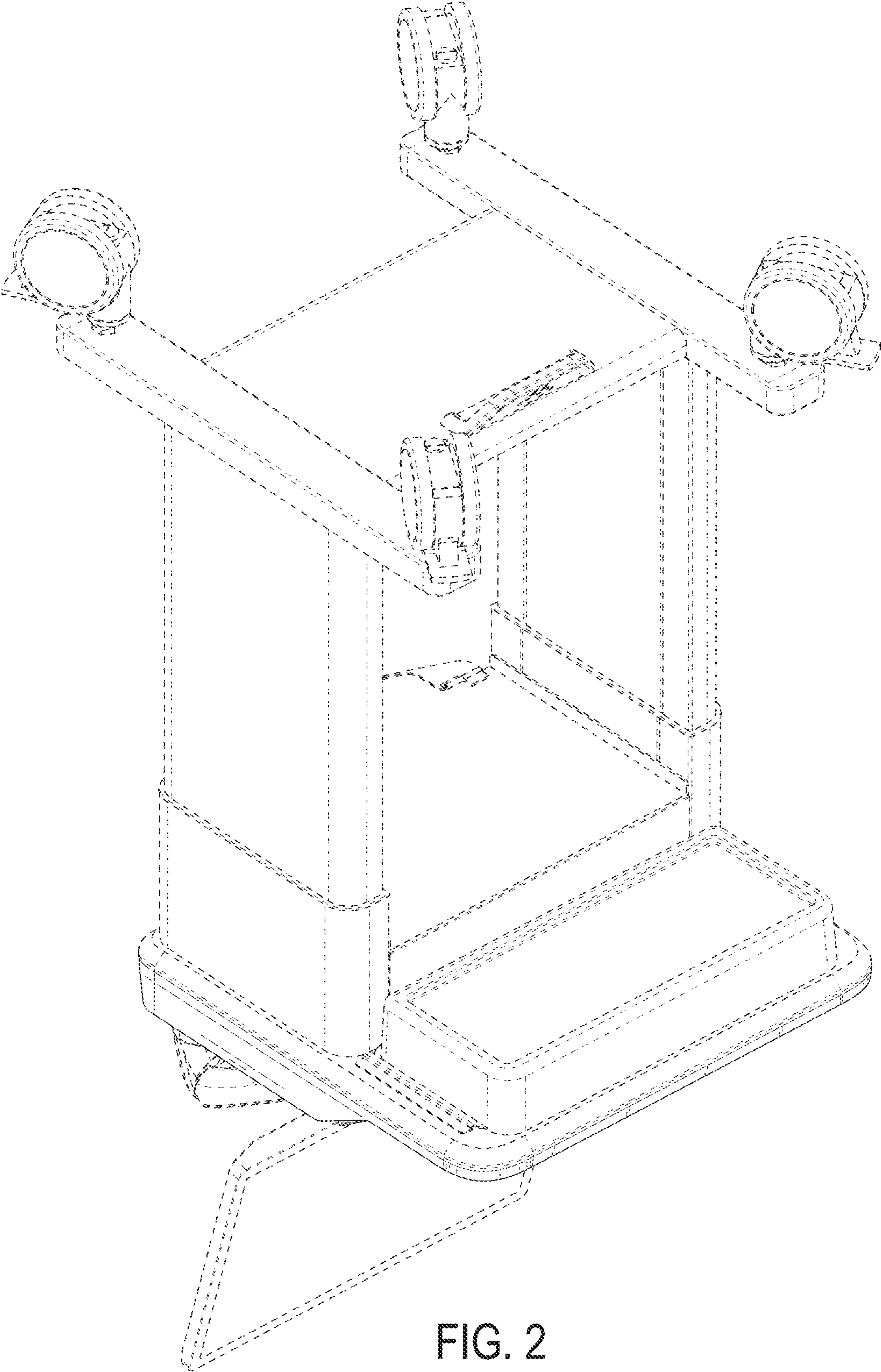


FIG. 2

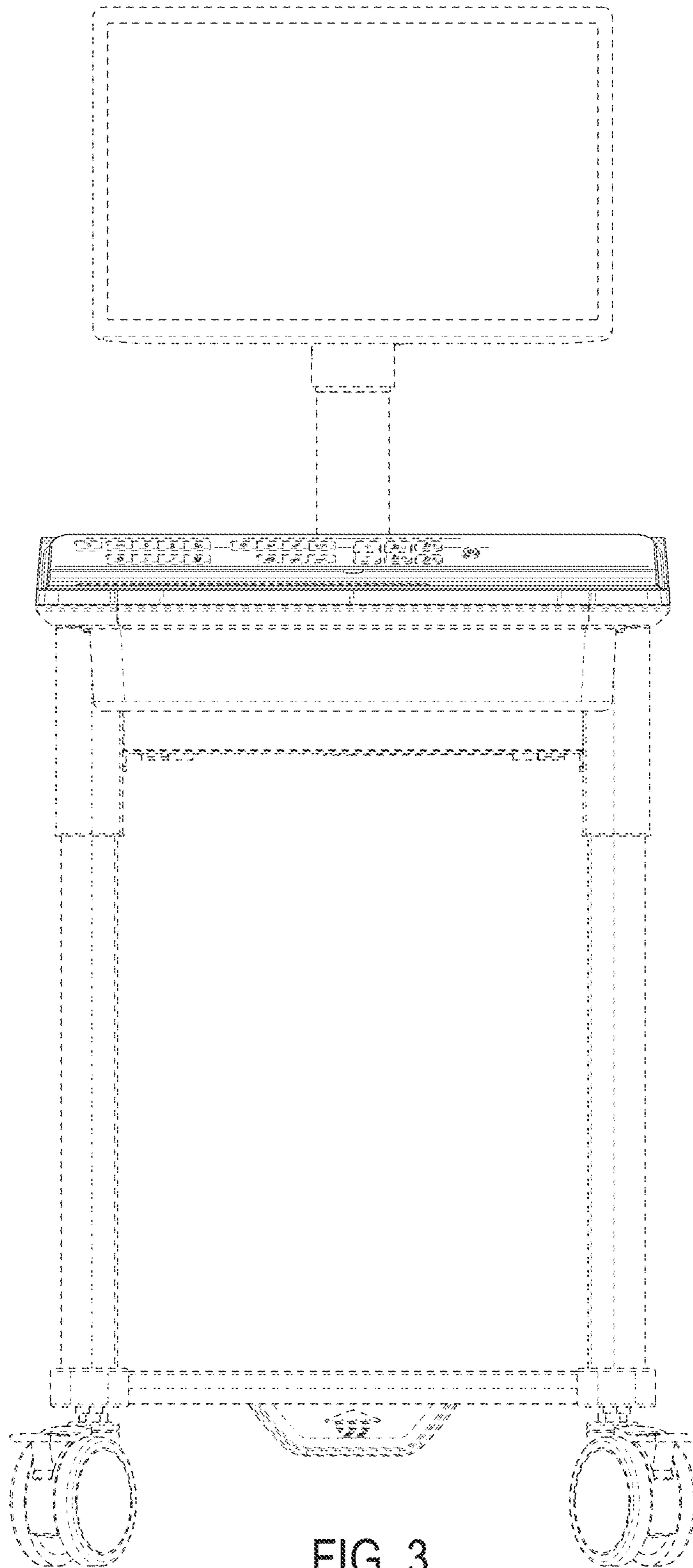


FIG. 3

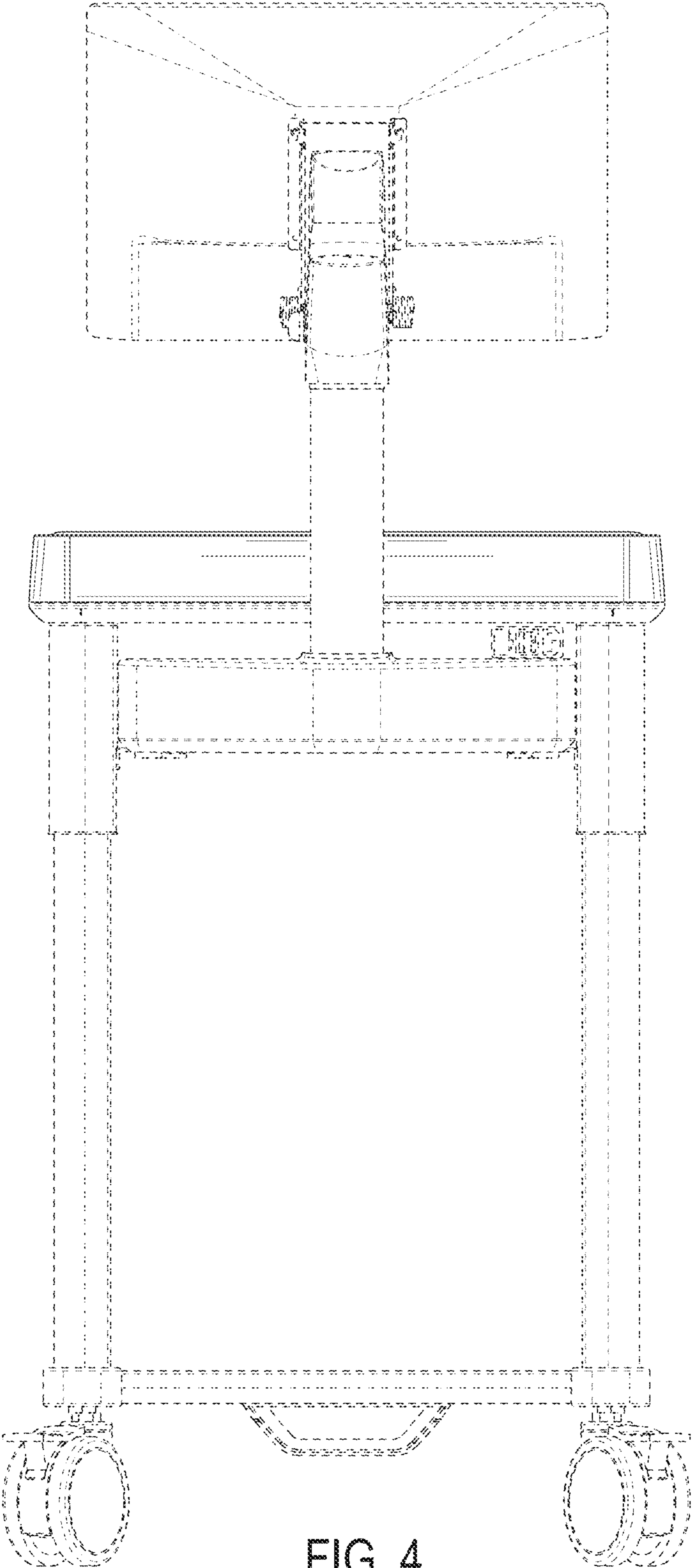


FIG. 4

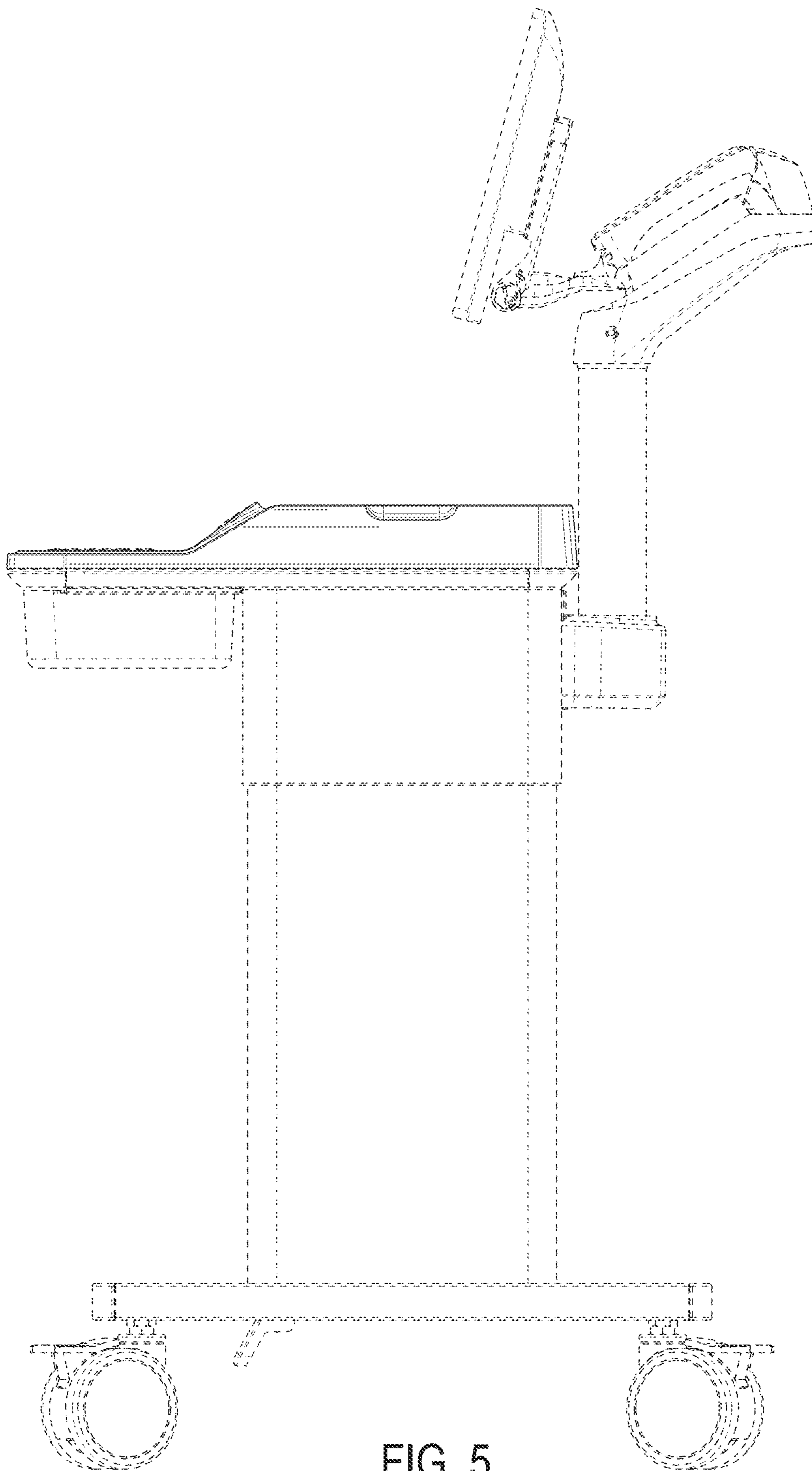


FIG. 5

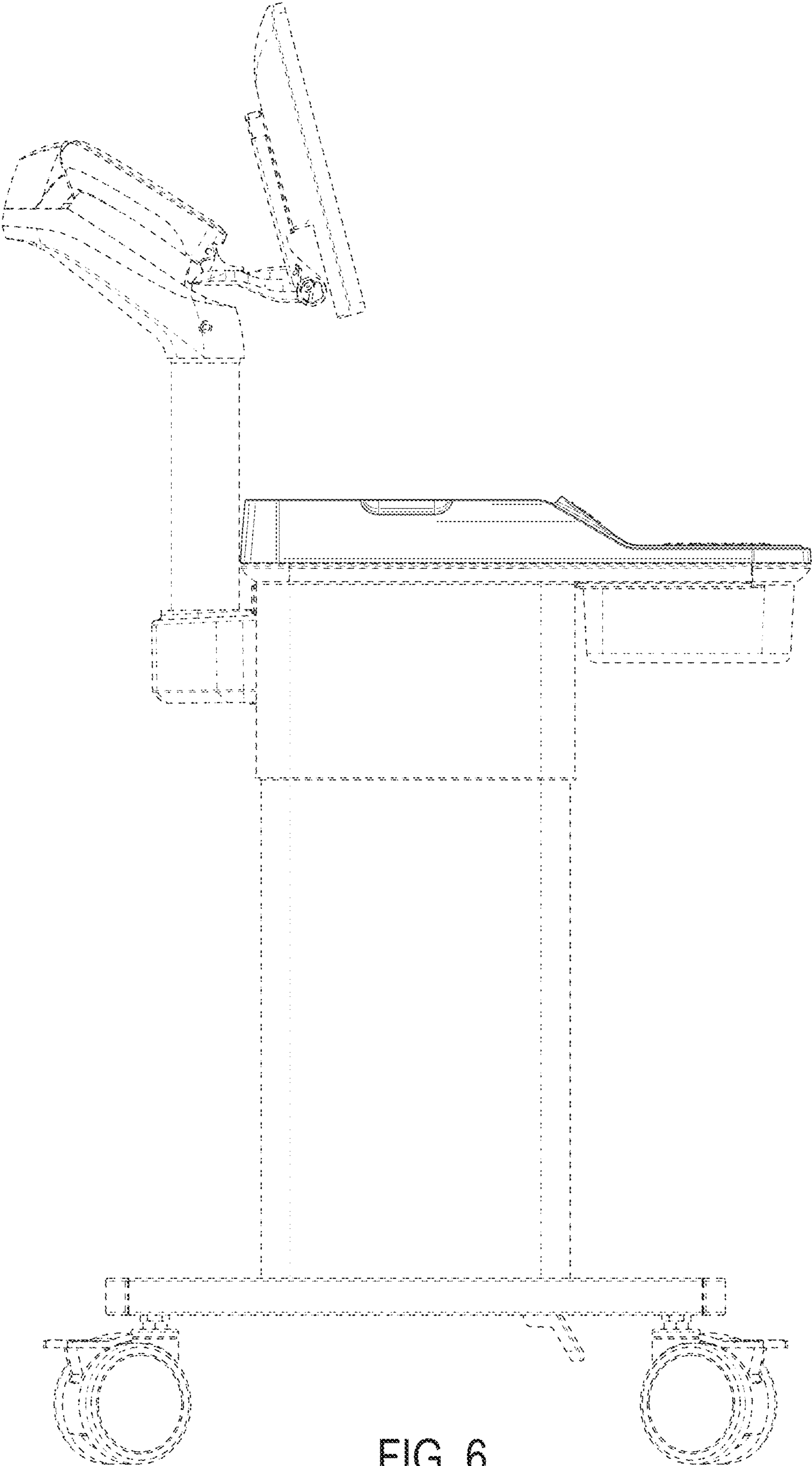


FIG. 6

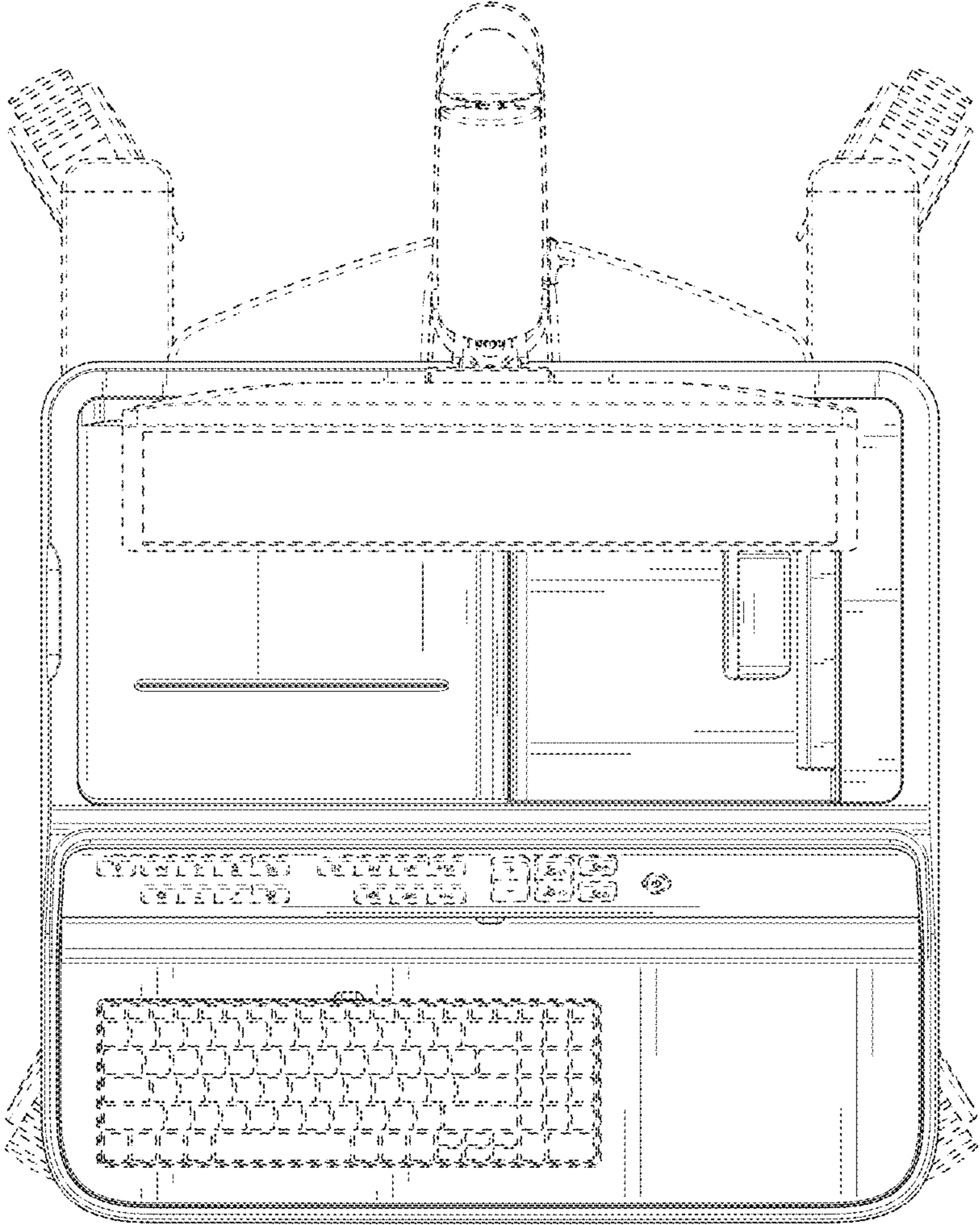


FIG. 7

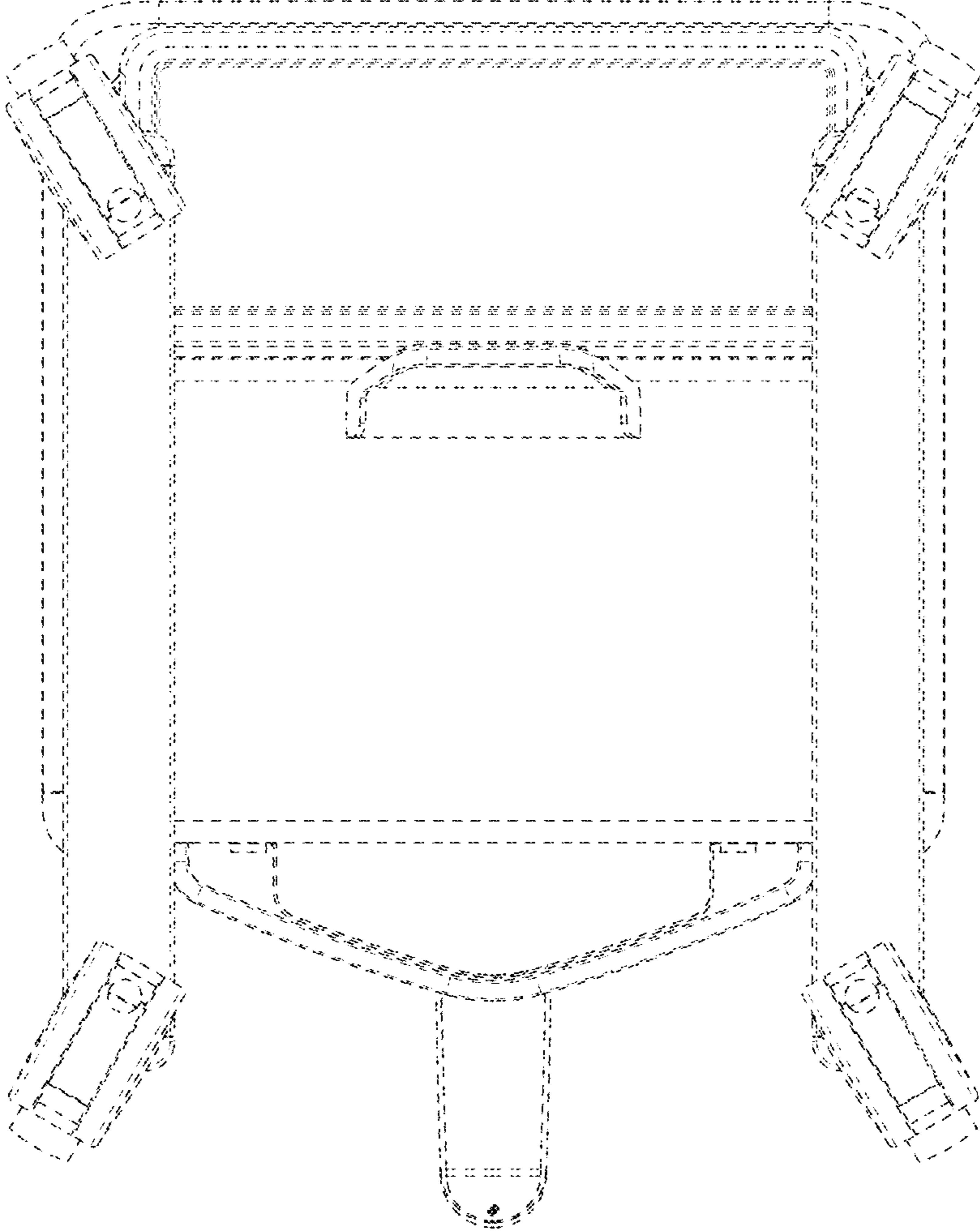


FIG. 8

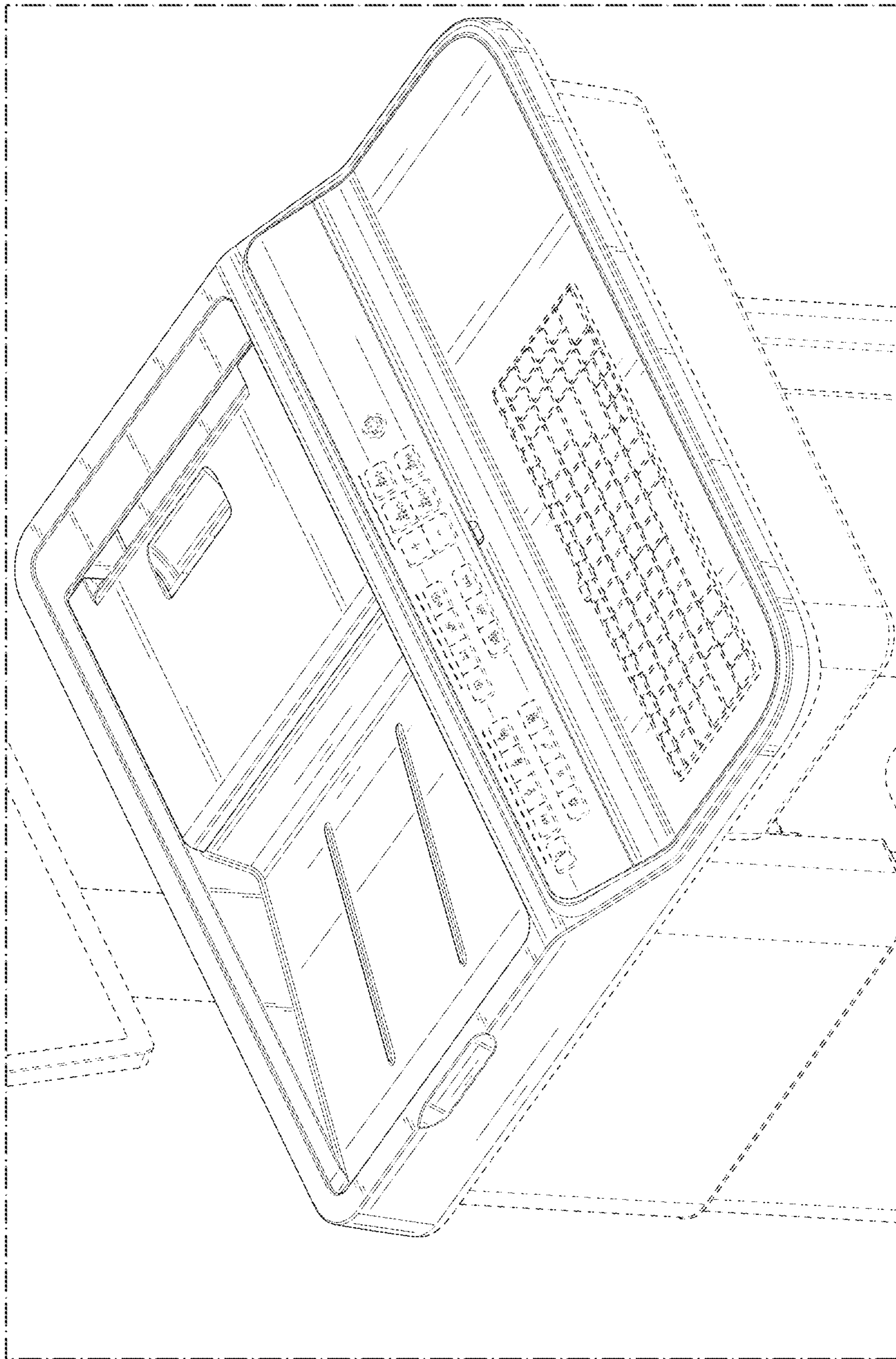


FIG. 9

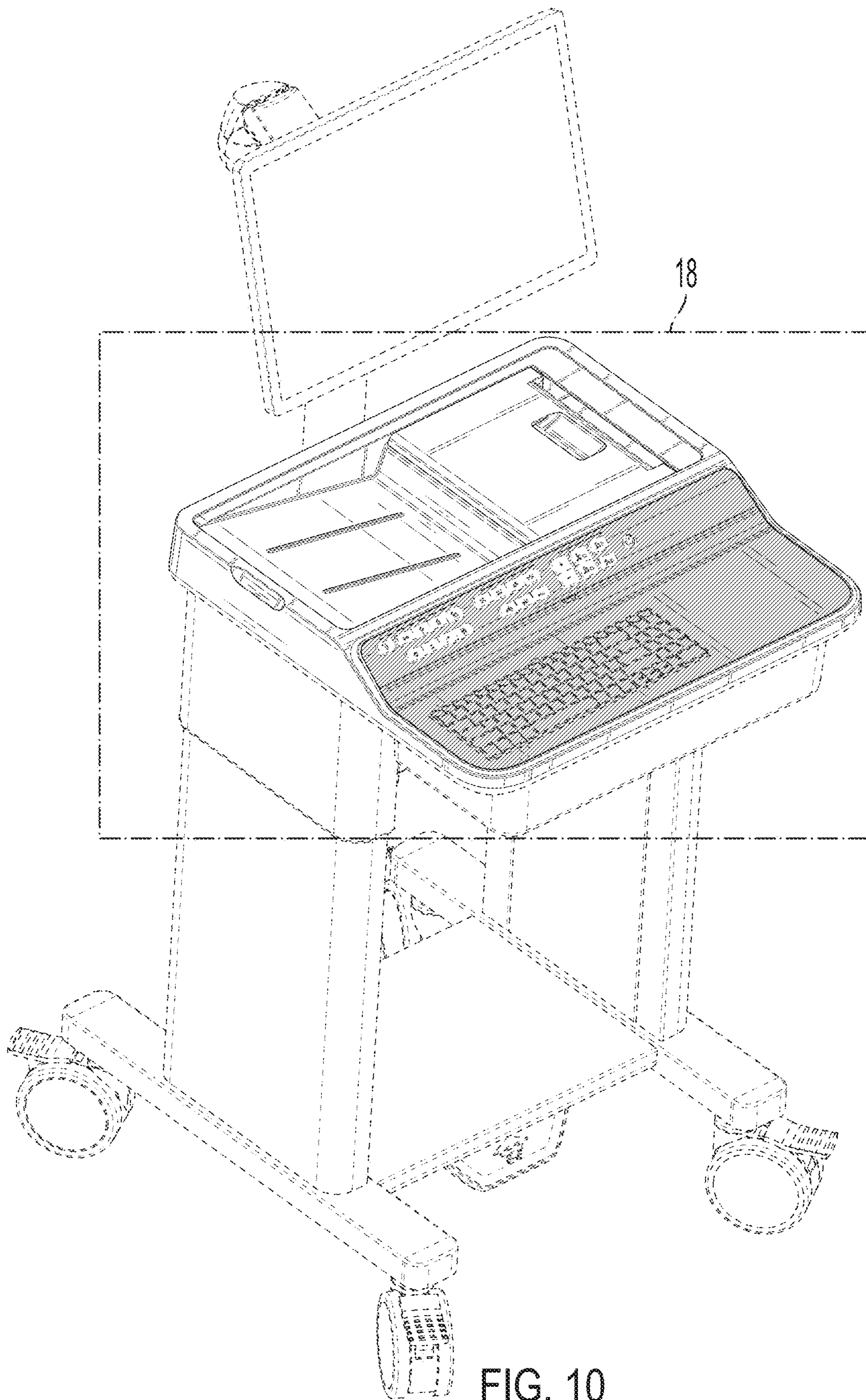


FIG. 10

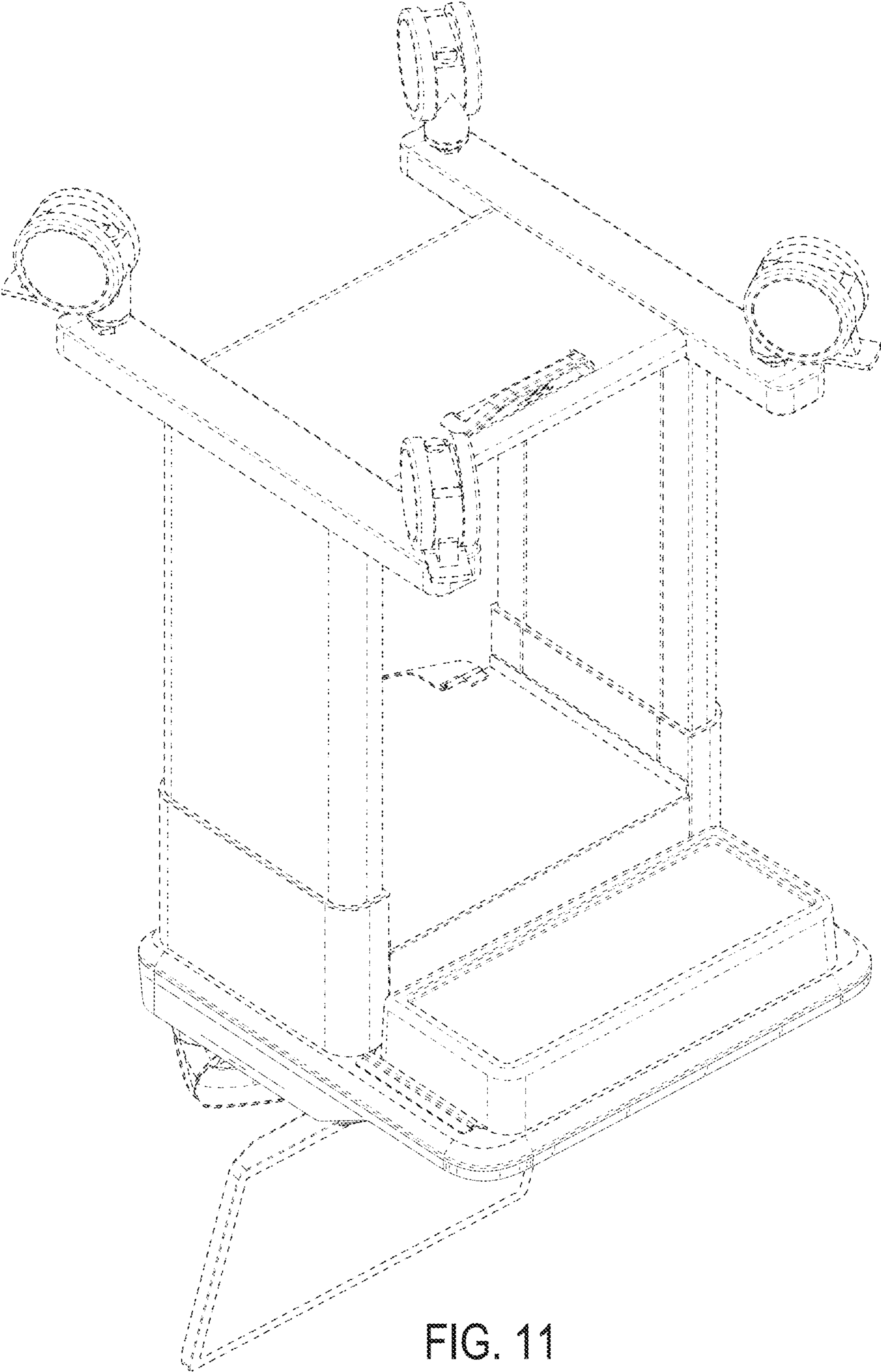


FIG. 11

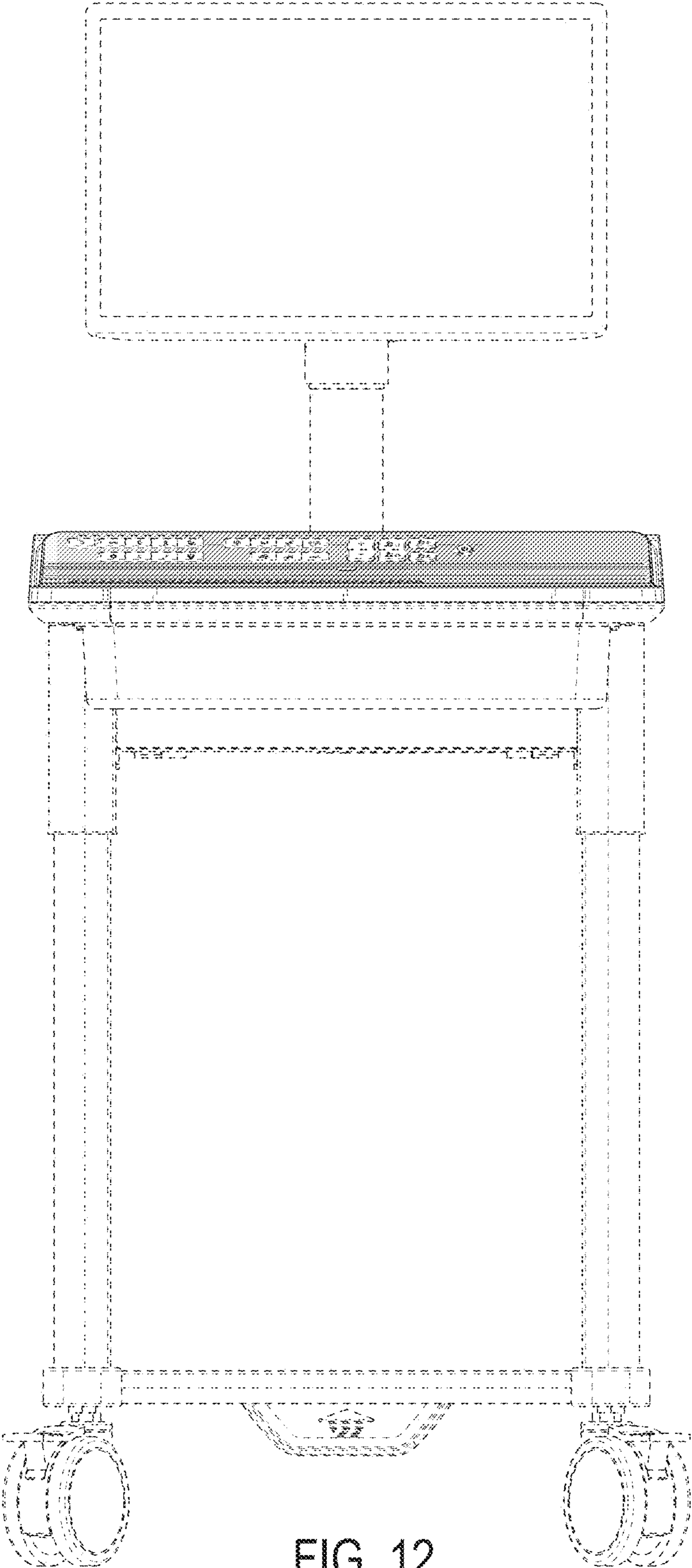


FIG. 12

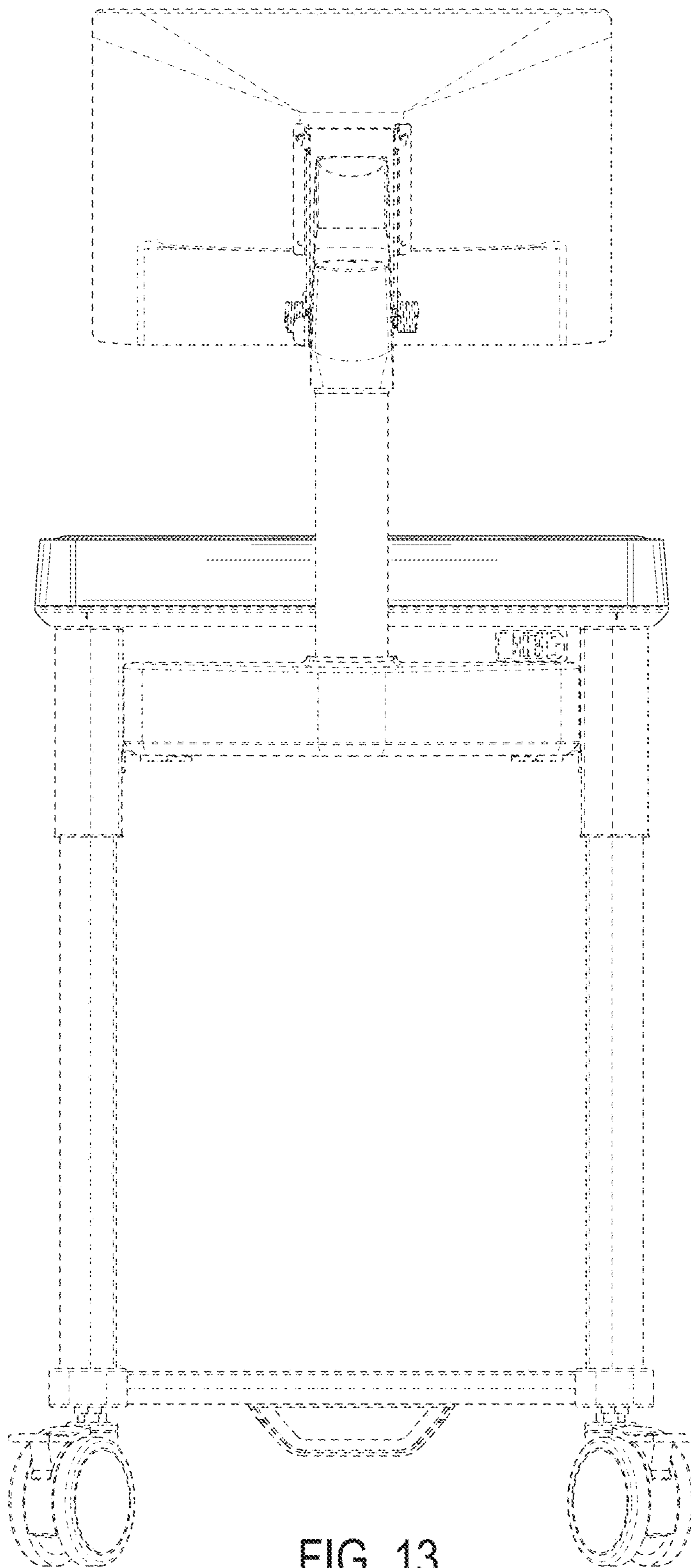


FIG. 13

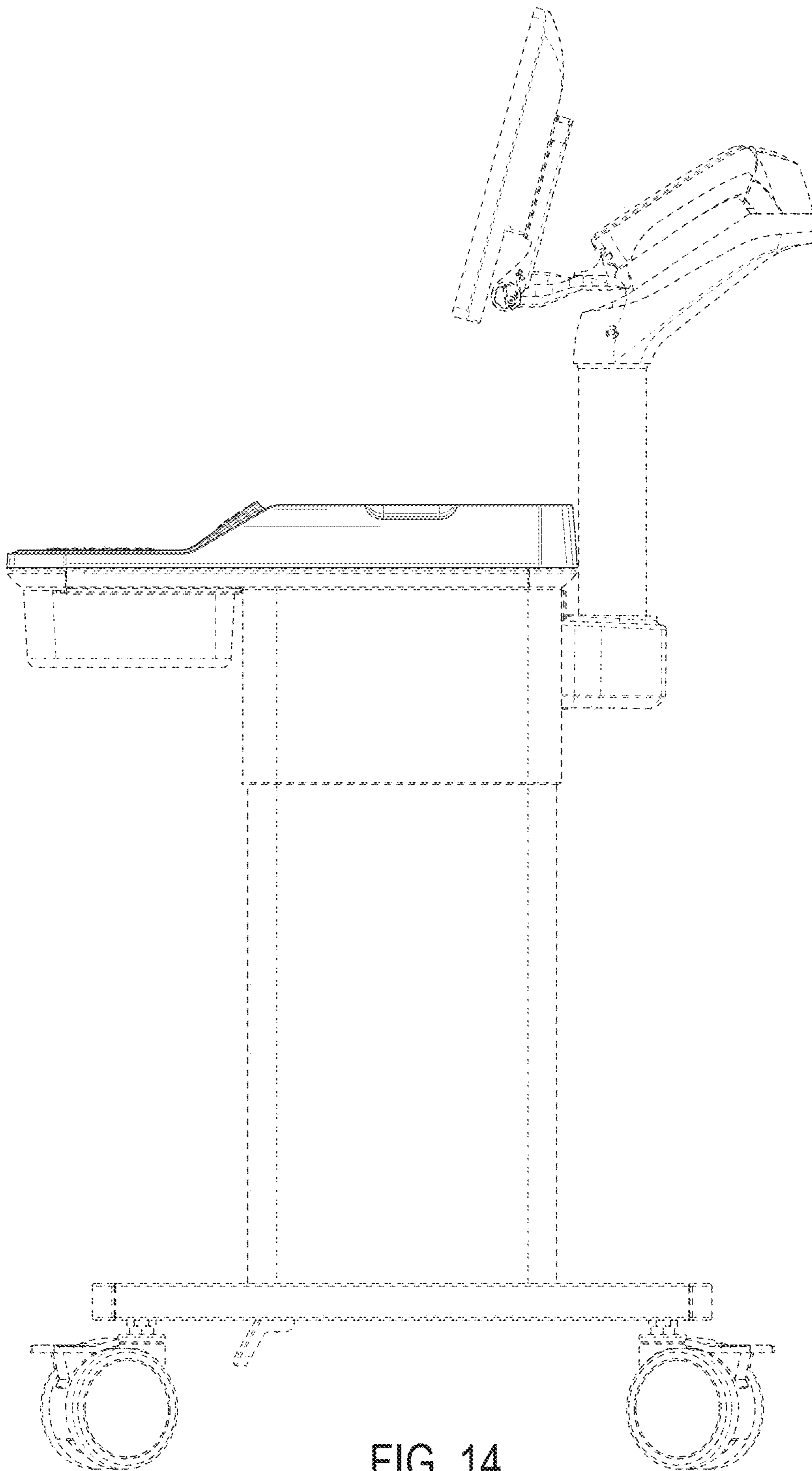


FIG. 14

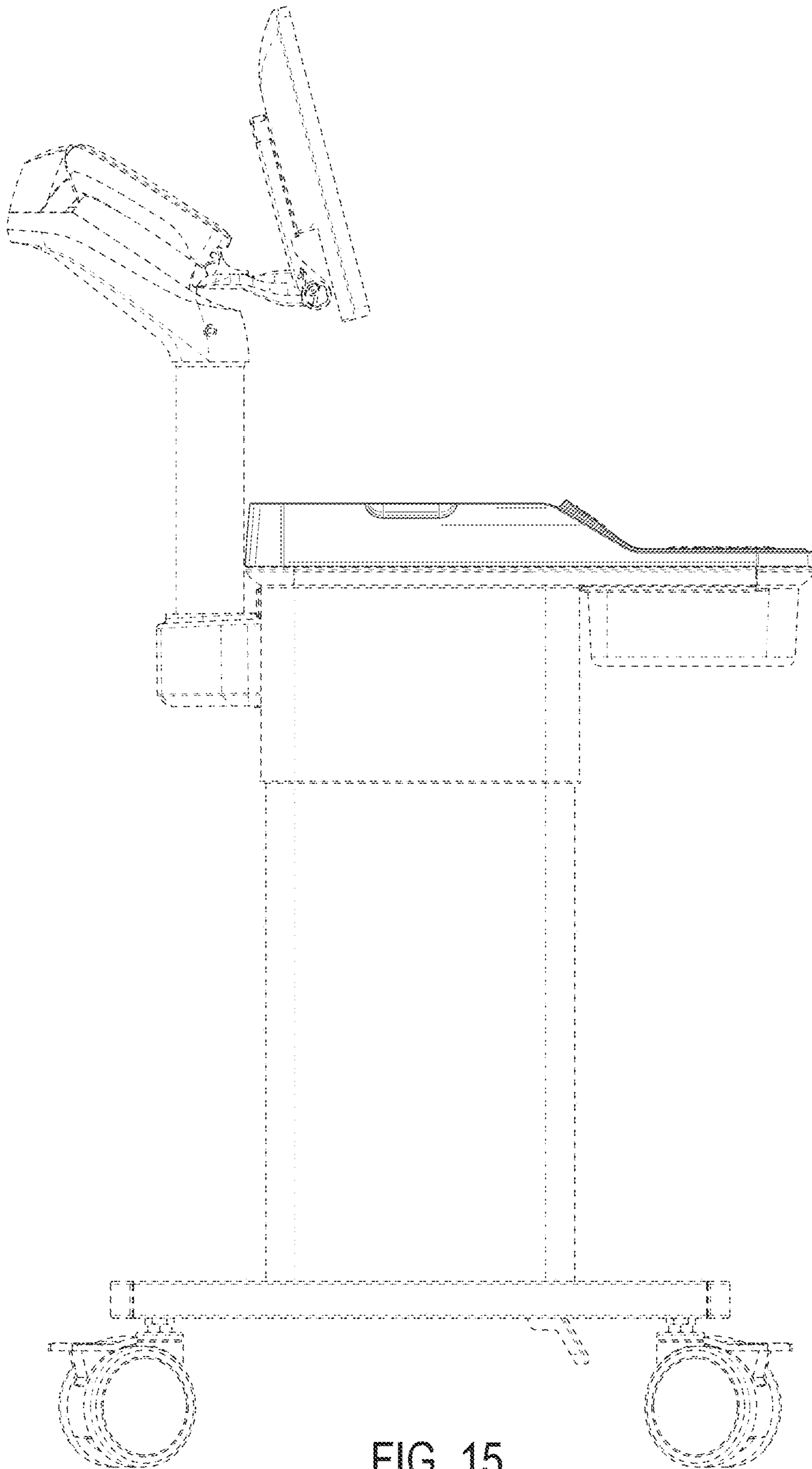


FIG. 15

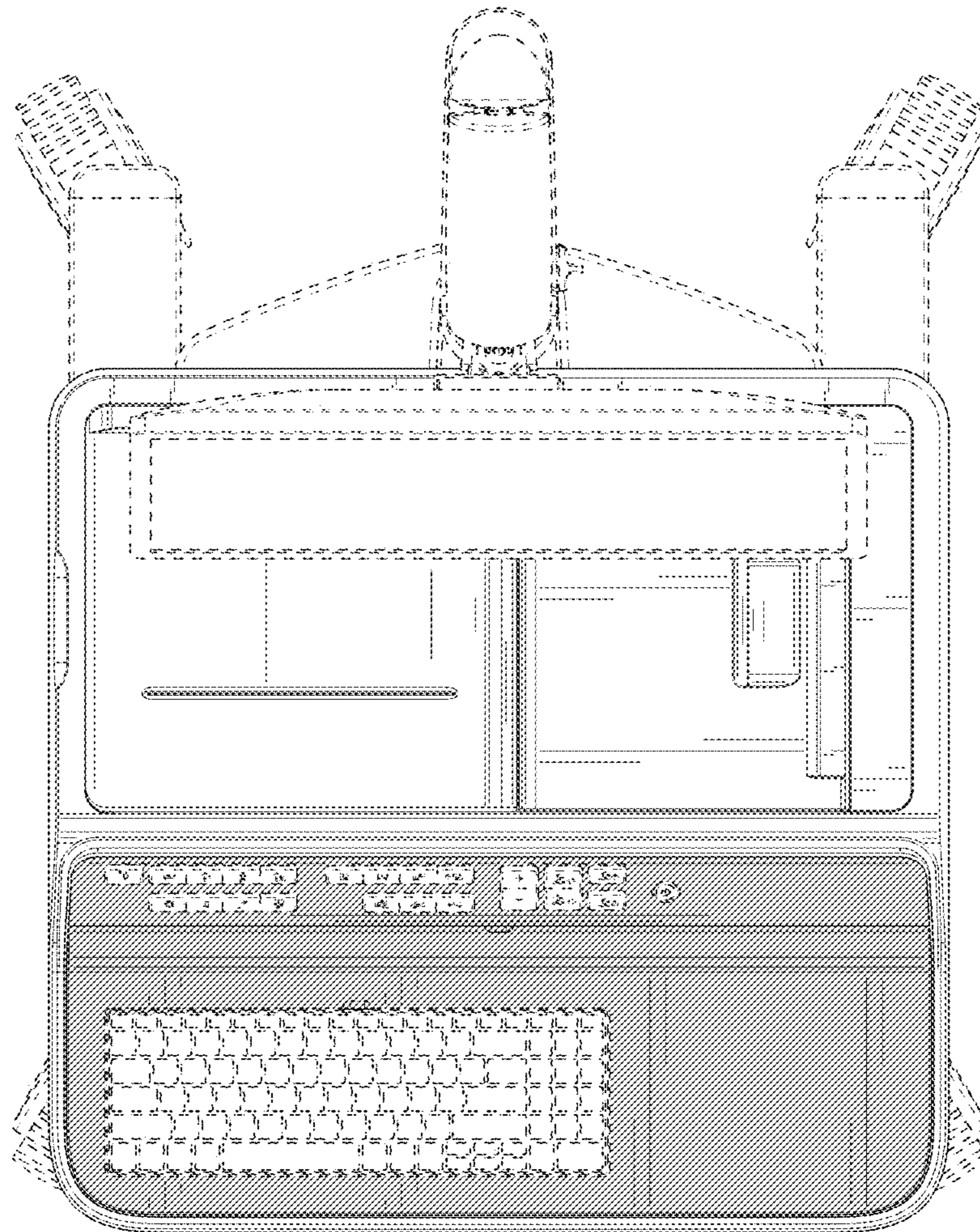


FIG. 16

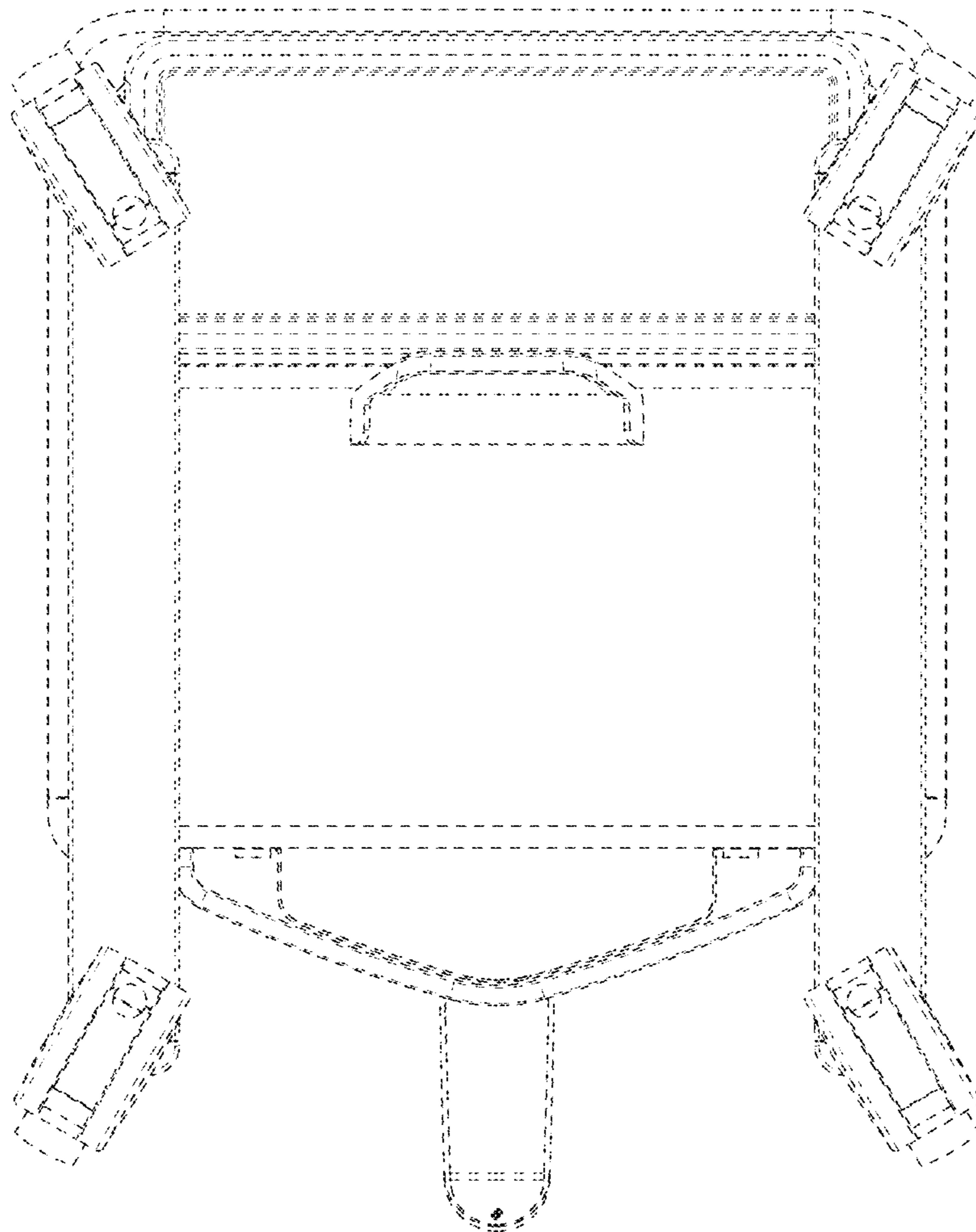


FIG. 17

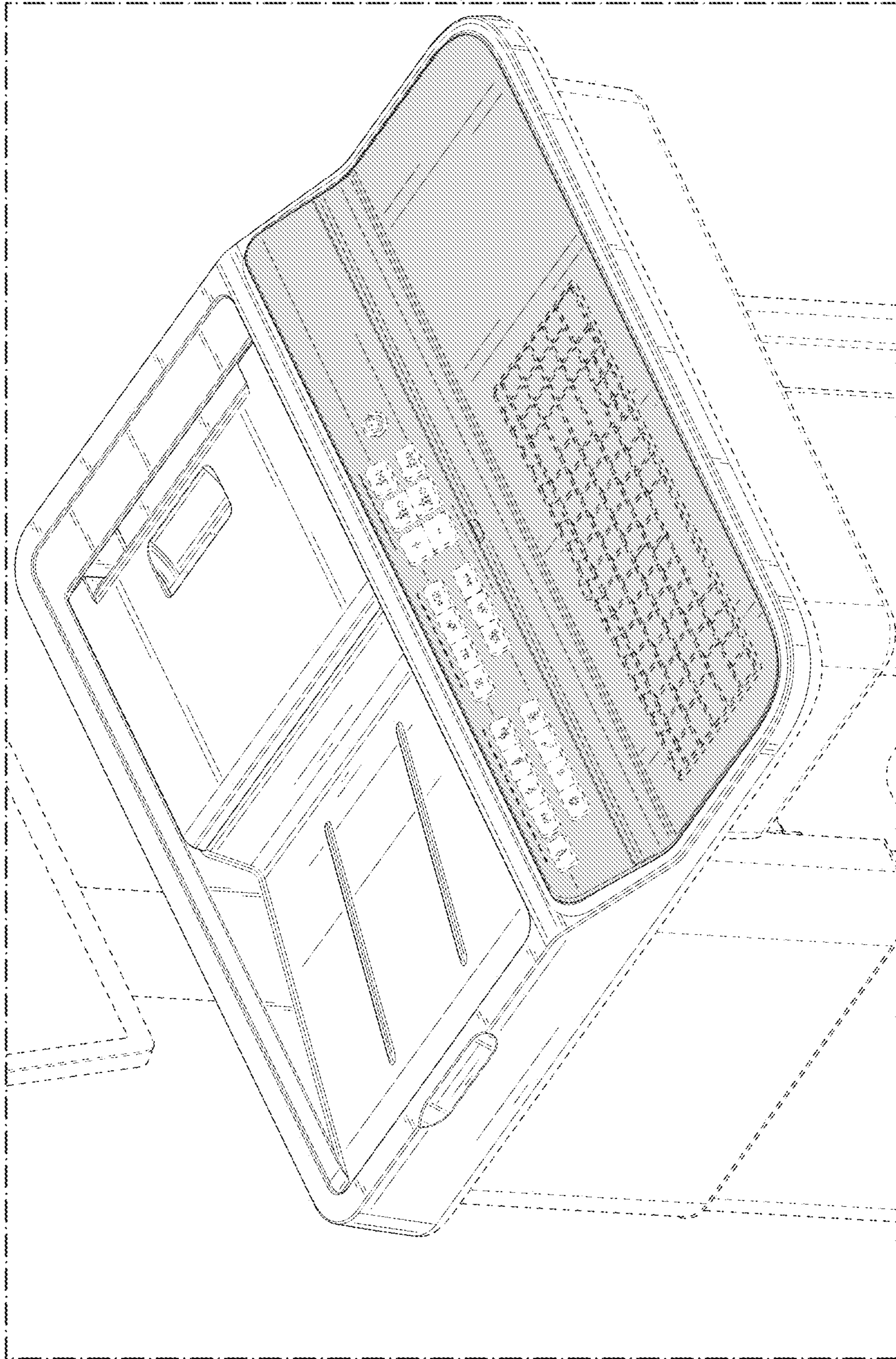


FIG. 18