



US00D963170S

(12) **United States Design Patent** (10) **Patent No.:** **US D963,170 S**
Frenkler et al. (45) **Date of Patent:** **** Sep. 6, 2022**

(54) **ROOT CANAL METER**

OTHER PUBLICATIONS

(71) Applicant: **J. MORITA MFG. CORP.**, Kyoto (JP)

Amazon. Treedental Color Display Dental Dentist Endodontics Apex Locator Endo-Root Canal-Tool 110V USA Plug. Jun. 11, 2015. <https://www.amazon.com/Treedental-Display-Endodontics-Endo-Root-Canal-Tool/dp/B00ZGS5J8O> (Year: 2015).*

(72) Inventors: **Fritz Frenkler**, Munich (DE); **Sean Suckling**, Munich (DE); **Hidenori Kurimoto**, Kyoto (JP)

(Continued)

(73) Assignee: **J. MORITA MFG. CORP.**

Primary Examiner — Darcey E Gottschalk

(**) Term: **15 Years**

(74) *Attorney, Agent, or Firm* — Dilworth IP, LLC

(21) Appl. No.: **35/510,824**

(57) **CLAIM**

(22) Filed: **Nov. 6, 2020**

The ornamental design for a root canal meter, as shown and described.

(80) **Hague Agreement Data**

DESCRIPTION

Int. Filing Date: **Nov. 6, 2020**

1. Root canal meter

Int. Reg. No.: **DM/211279**

1.1 : Front

Int. Reg. Date: **Nov. 6, 2020**

1.2 : Back

Int. Reg. Pub. Date: **Nov. 27, 2020**

1.3 : Top

1.4 : Bottom

1.5 : Right

1.6 : Left

(30) **Foreign Application Priority Data**

Jun. 9, 2020 (JP) 2020-011427 D

1.7 : Front perspective view 1

Jun. 9, 2020 (JP) 2020-011429 D

1.8 : Front perspective view 2

(51) **LOC (13) Cl.** **24-02**

1.9 : Back perspective view 1

(52) **U.S. Cl.**

USPC **D24/176**

1.10 : Back perspective view 2

(58) **Field of Classification Search**

USPC D13/162, 184; D14/214, 240, 203.8, D14/341, 346, 447, 451; D10/46, 70, 78;

1.11 : Perspective view shown in an environment of use

1.12 : Perspective view shown in another environment of use

(Continued)

The article is equipment for measuring and displaying a root canal length of a tooth during root canal treatment which is a type of dental treatment methods; reproduction **1.12** shows the state in which the high-frequency treatment module is attached to the article, and the high-frequency treatment module is shown by means of broken lines and forms no part of the claimed design; the parts shown by means of broken lines in the reproductions are not part of the claimed design; the parts having oblique parallel lines in the reproductions **1.11** are transparent; the oblique parallel lines depict environment and form no part of the claim.

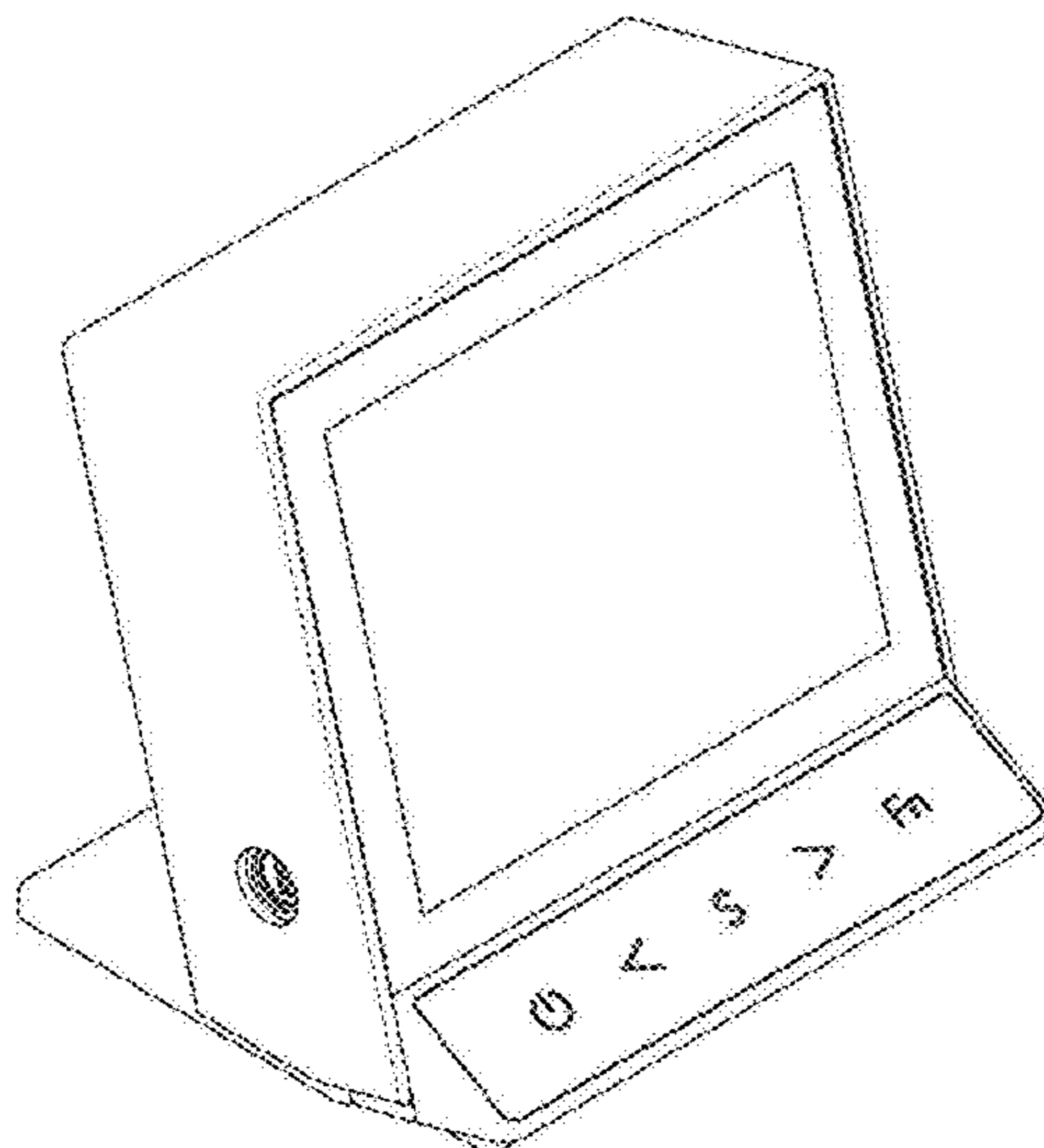
(56) **References Cited**

U.S. PATENT DOCUMENTS

D109,744 S * 5/1938 Thorell D13/184
D177,699 S * 5/1956 Schultz D13/184

(Continued)

1 Claim, 12 Drawing Sheets



US D963,170 S

Page 2

(58) **Field of Classification Search**

USPC D24/107, 133, 140, 146, 152, 154, 176,
D24/177, 180, 186
CPC A61C 1/00; A61C 19/00; A61C 19/04;
A61C 8/00; A61C 3/00; A61B 5/103
See application file for complete search history.

(56) **References Cited**

U.S. PATENT DOCUMENTS

3,035,351 A 5/1962 Hirsch
3,058,225 A 10/1962 Ward
3,330,040 A 7/1967 Kahn
D211,574 S * 7/1968 Macaulay et al. D10/46
5,211,556 A * 5/1993 Kobayashi A61C 19/04
600/589
D363,741 S * 10/1995 Left D19/60
D400,249 S * 10/1998 Holubar D24/186
D457,144 S 5/2002 Suen
D539,428 S 3/2007 Nakanishi
D601,262 S 9/2009 Okawa et al.
D648,026 S 11/2011 Okawa et al.
D687,146 S * 7/2013 Juzkiw D24/170

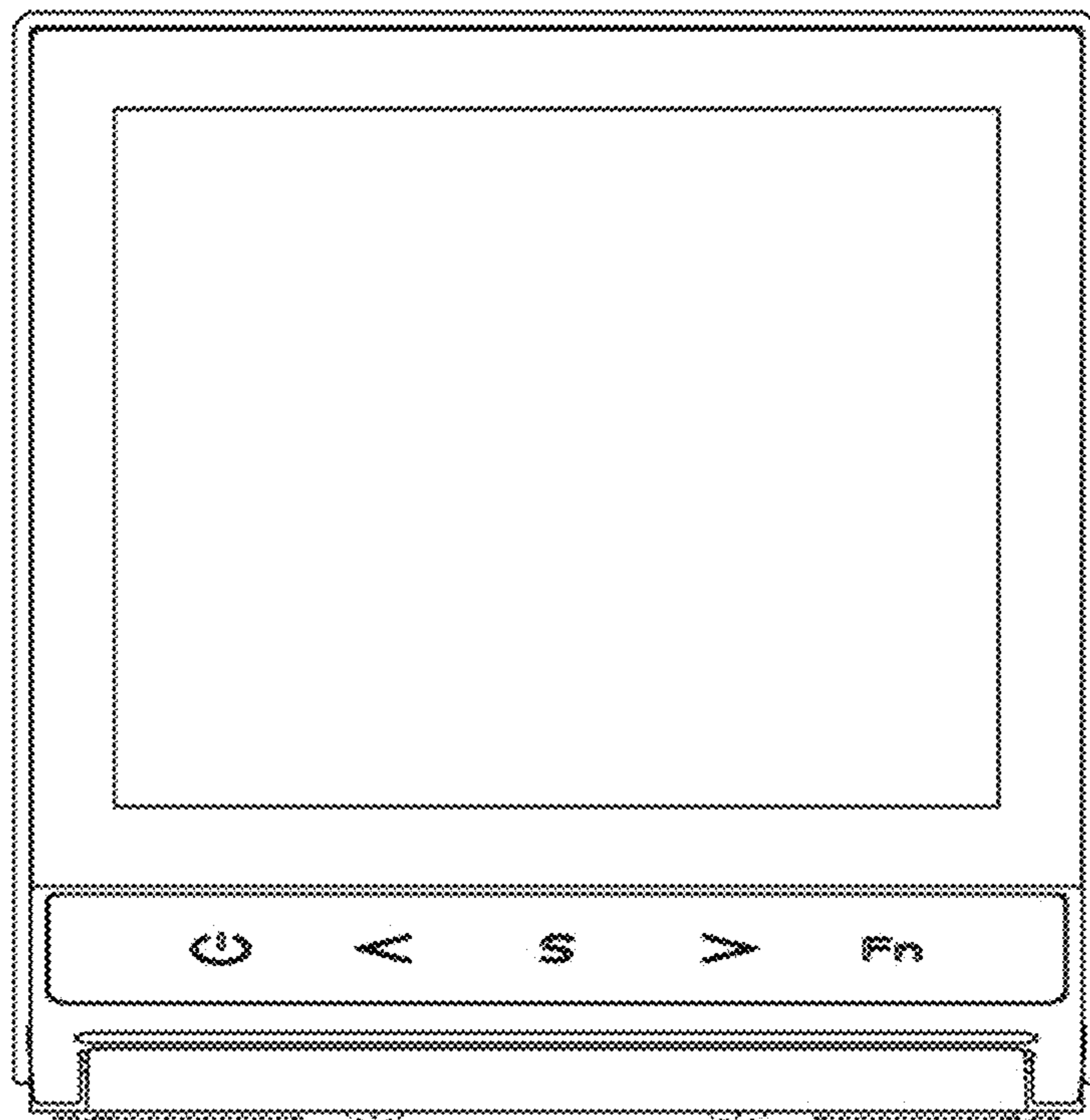
D697,052 S * 1/2014 Loudon D14/214
D704,839 S * 5/2014 Juzkiw D24/170
D712,286 S * 9/2014 Frenkler D10/70
D777,118 S * 1/2017 Gaiduk D13/162
D823,468 S 7/2018 Frenkler et al.
10,039,475 B2 8/2018 Sorimoto et al.
D887,006 S 6/2020 Frenkler et al.
D894,845 S * 9/2020 Bennett D15/28
D921,426 S * 6/2021 Tinney D13/162
11,060,852 B2 7/2021 Sorimoto
11,071,508 B2 7/2021 Yoshimura et al.
D928,725 S * 8/2021 Oberkircher D13/162
D949,344 S * 4/2022 Frenkler D24/176
2006/0263742 A1 11/2006 Saliger
2015/0096497 A1 * 4/2015 Schnupper F04B 13/00
119/6.8

OTHER PUBLICATIONS

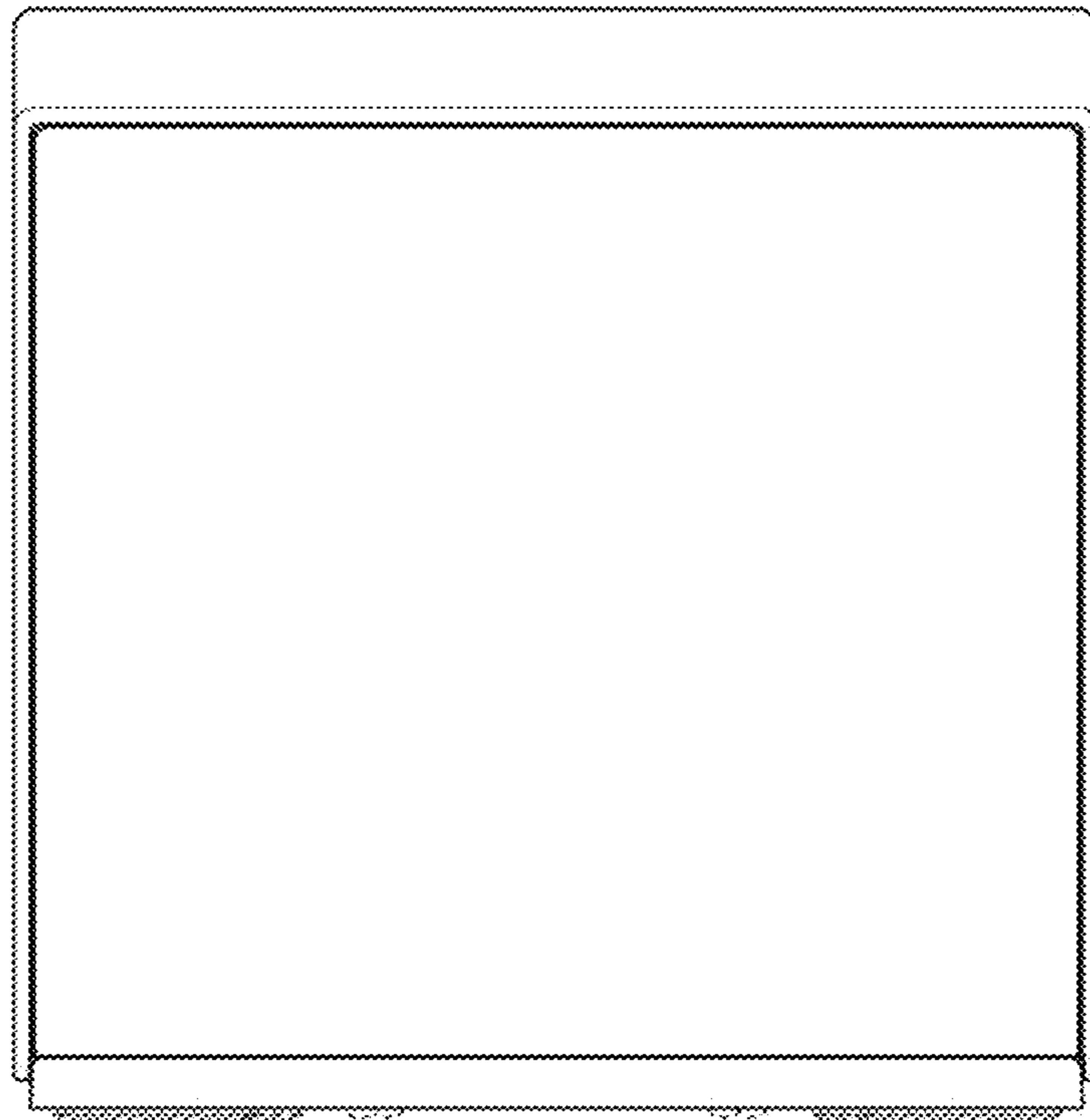
Youtube. Root Canal Working Length (Endodontist's Apex Locator)
by All Things Dentistry. Nov. 15, 2019. <https://www.youtube.com/watch?v=DH7oOOjt0eE> (Year: 2019).*

* cited by examiner

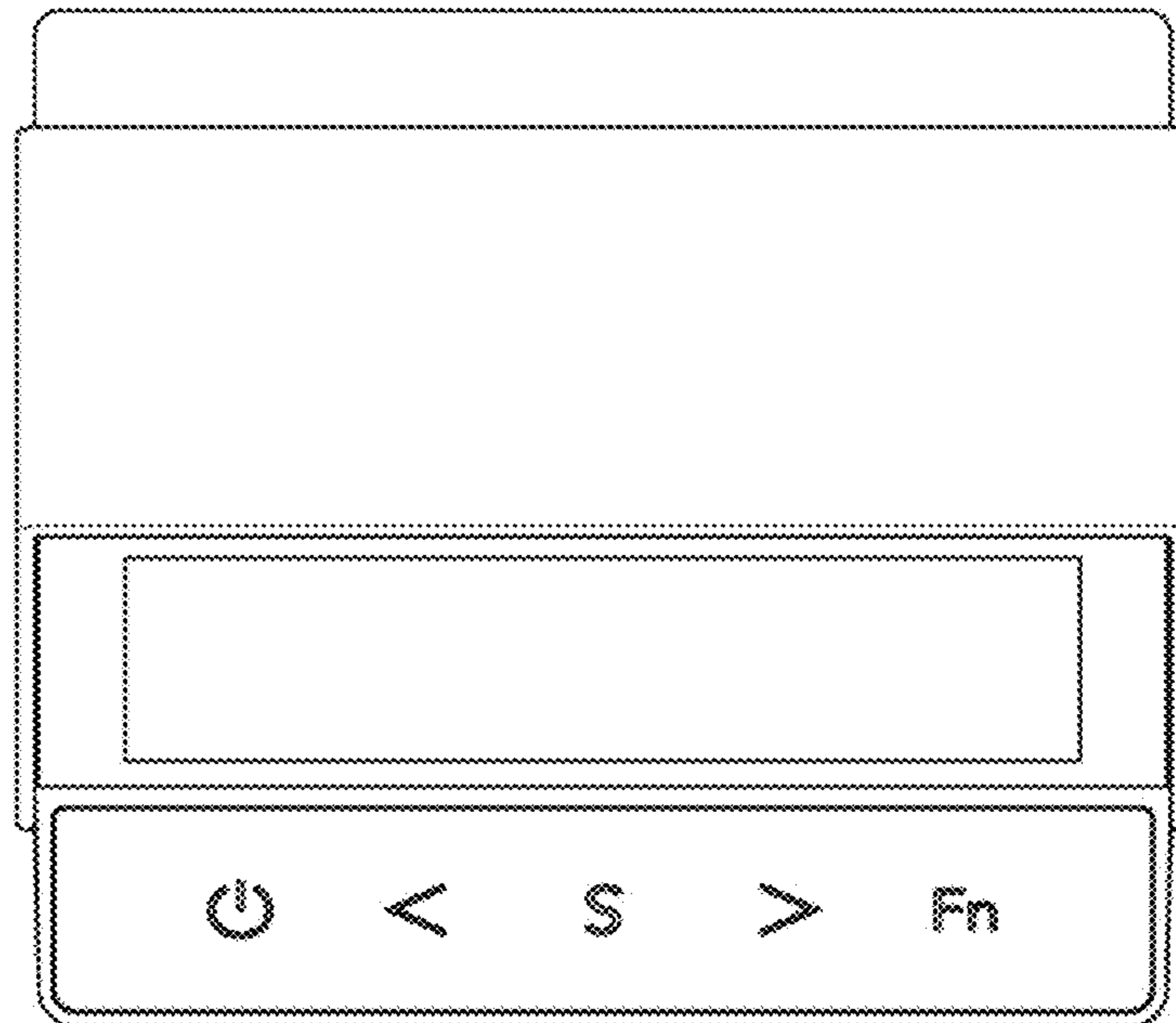
1.1



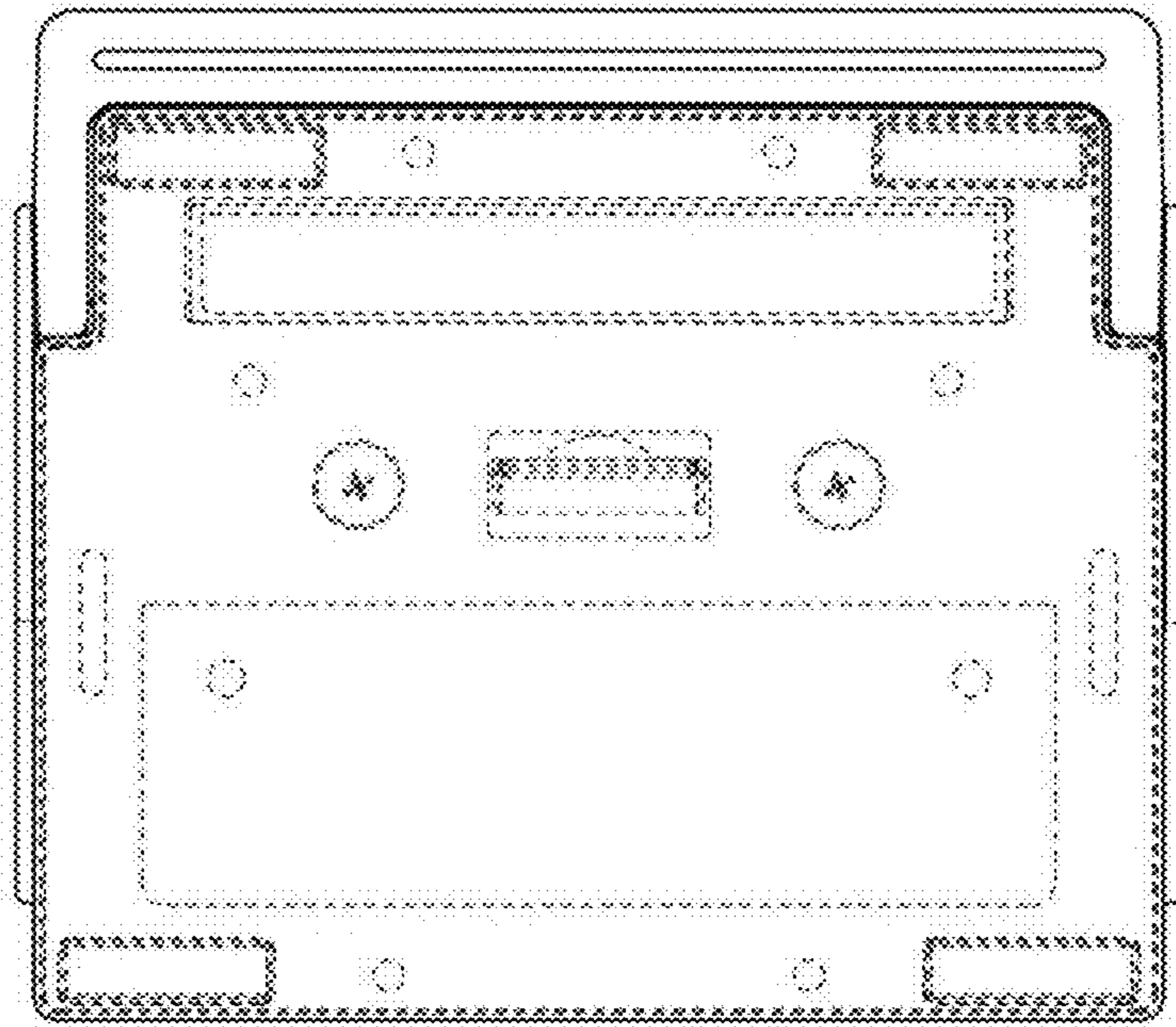
1.2



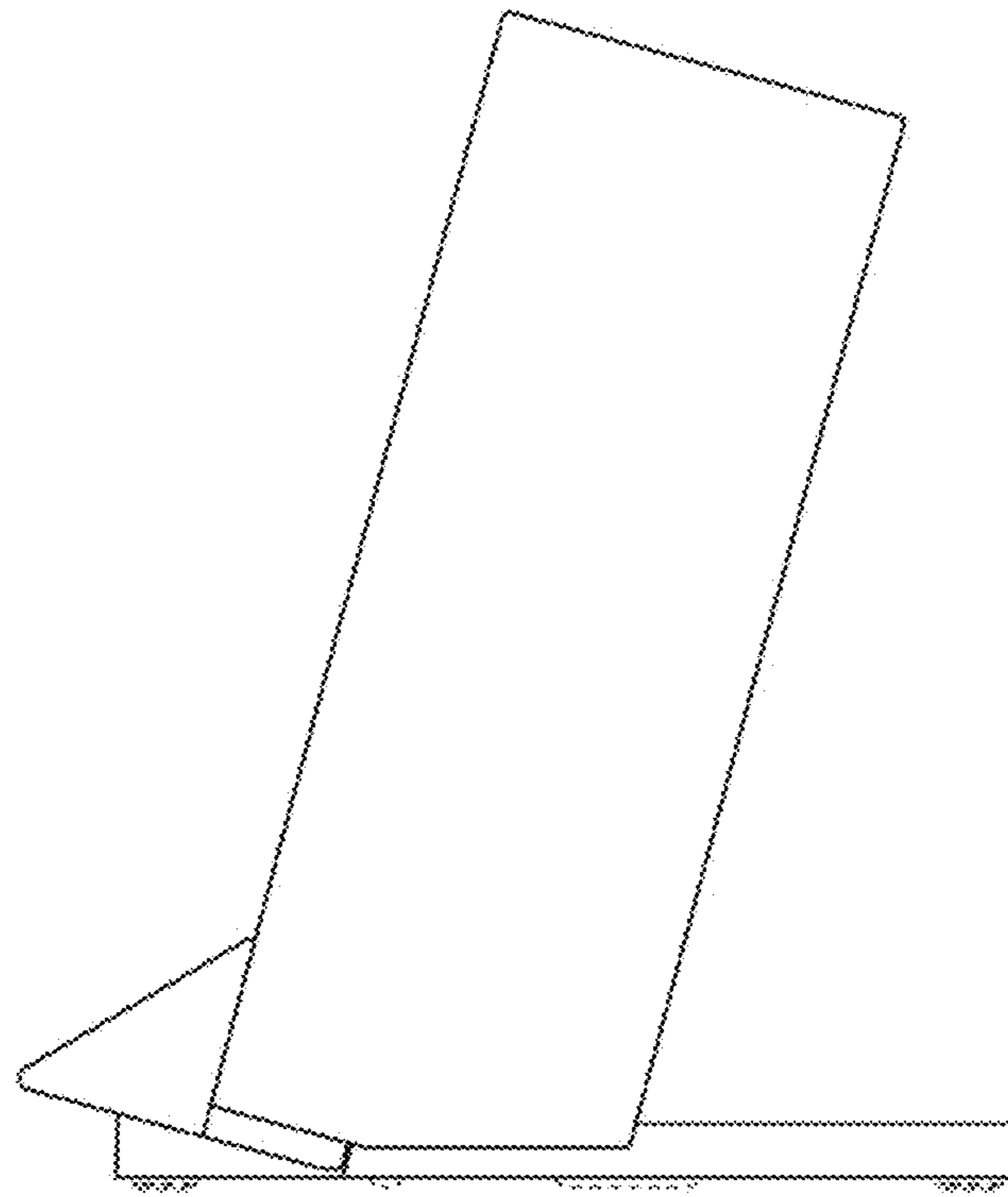
1.3



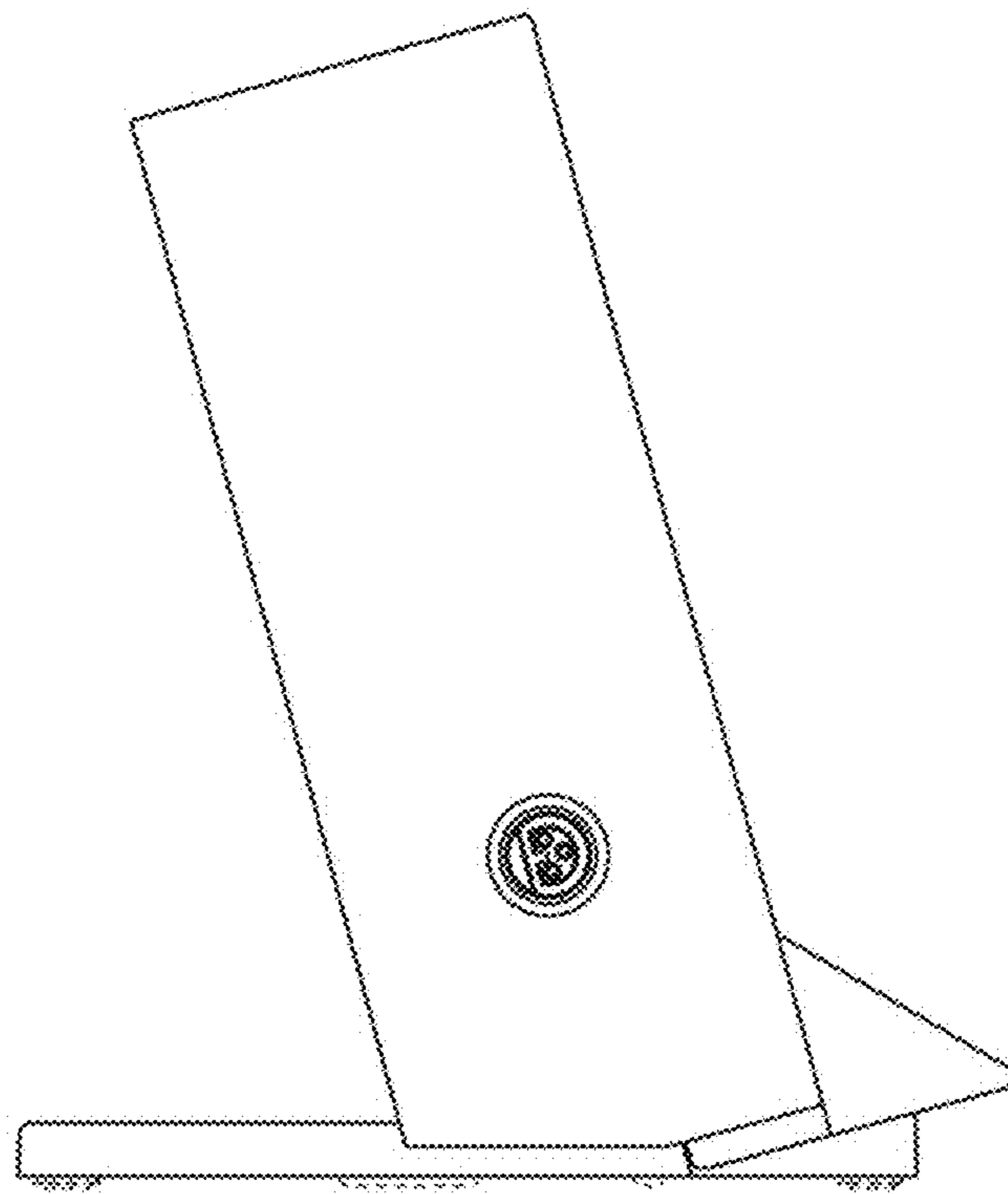
1.4



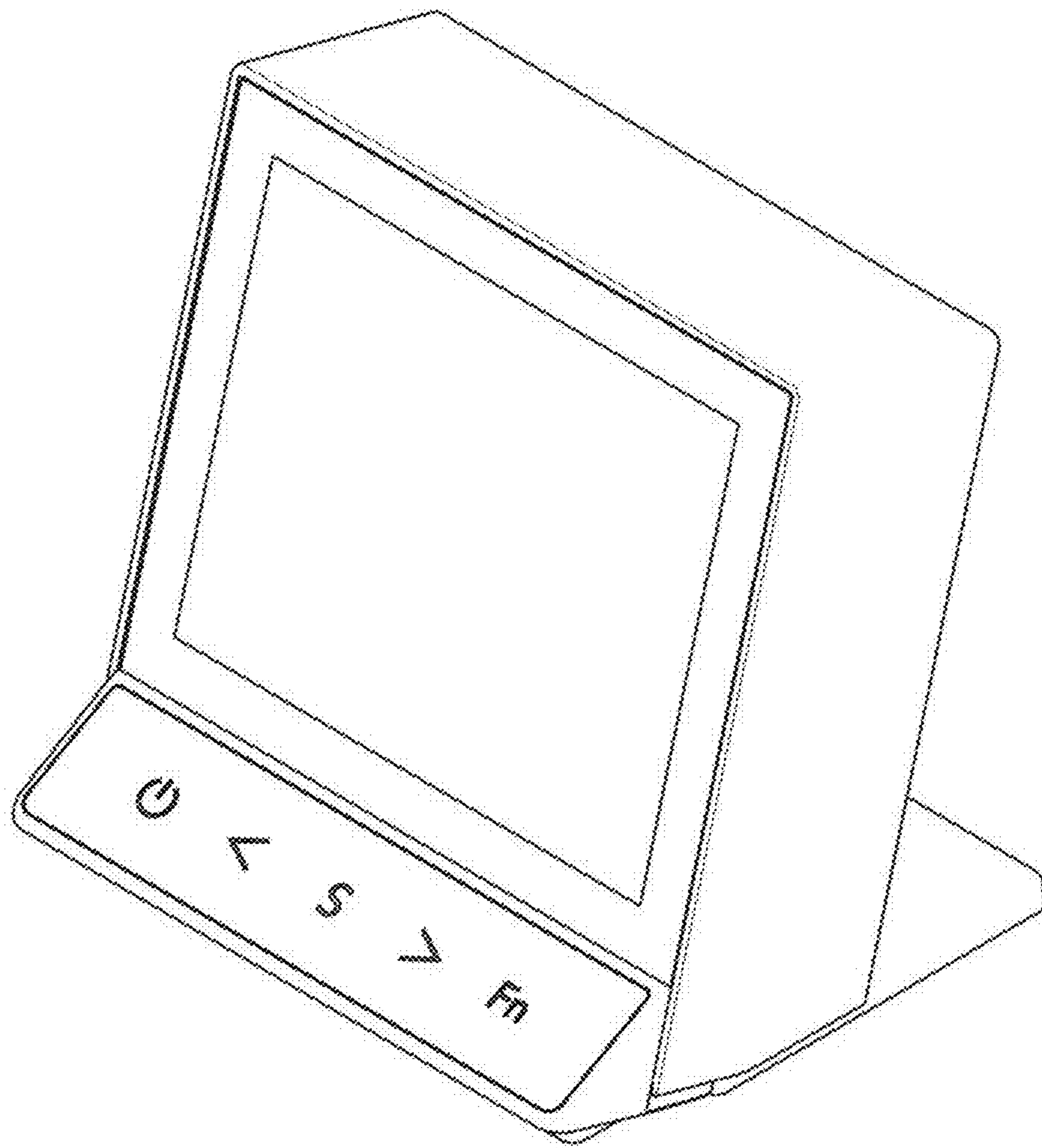
1.5



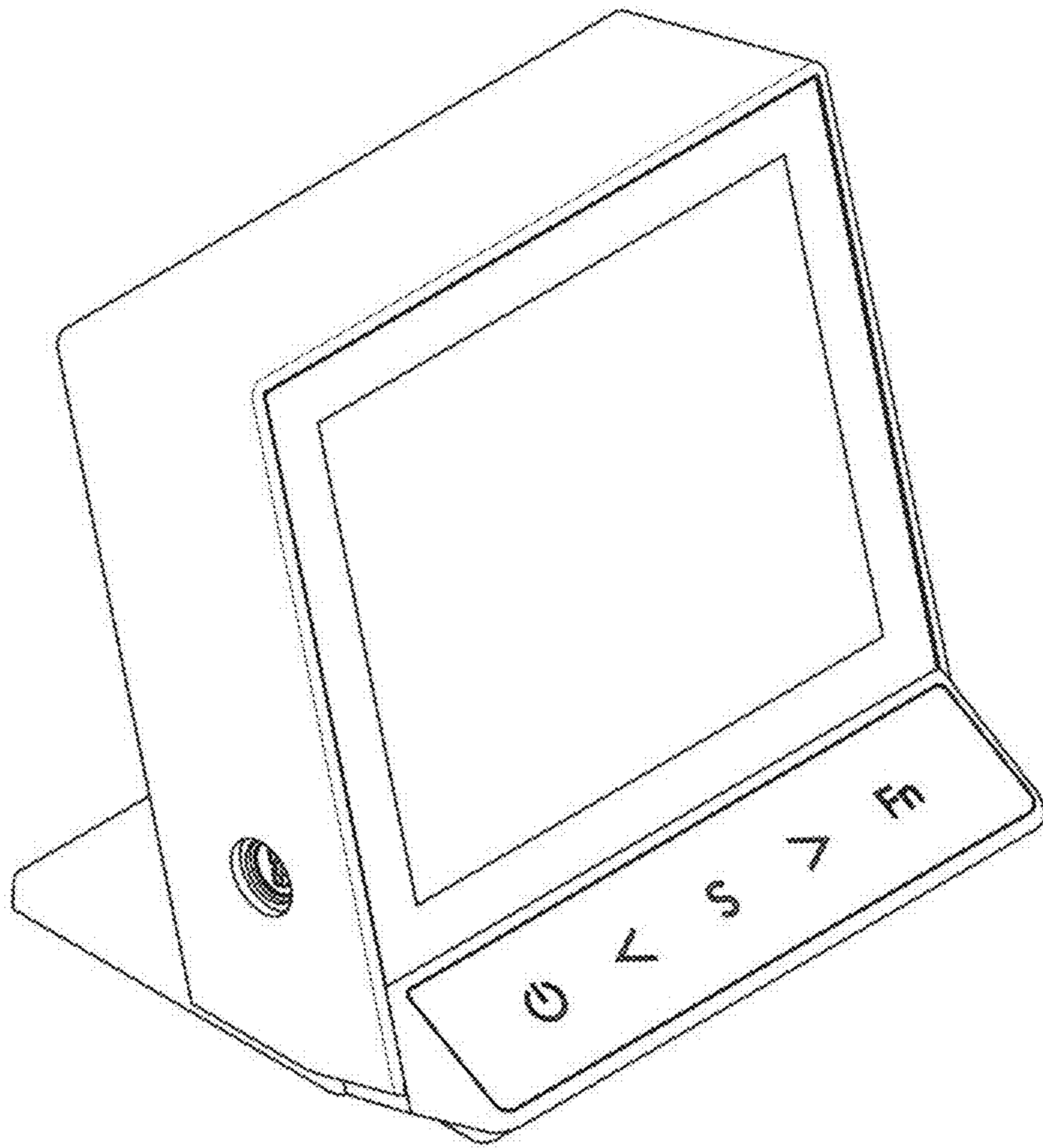
1.6



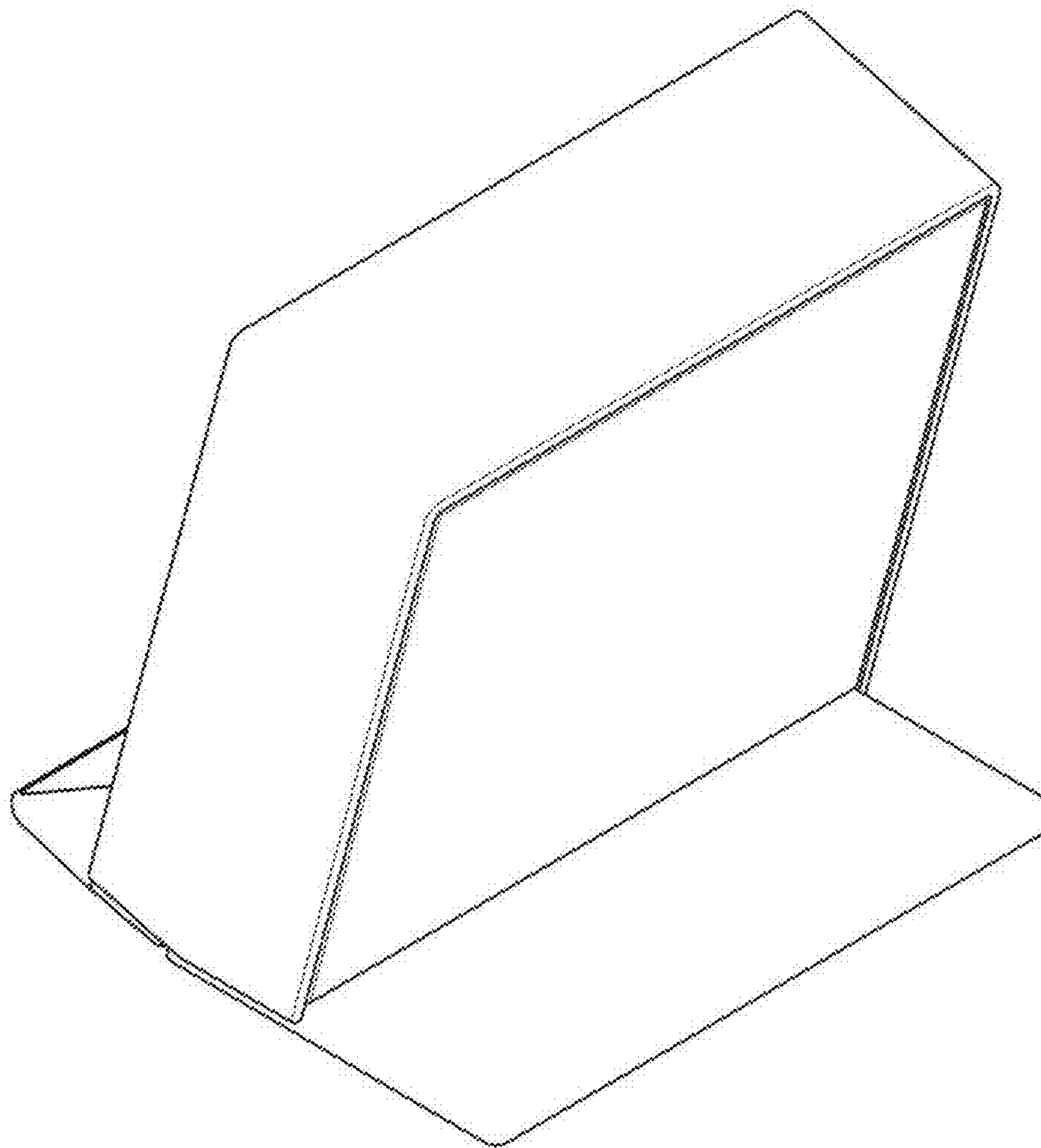
1.7



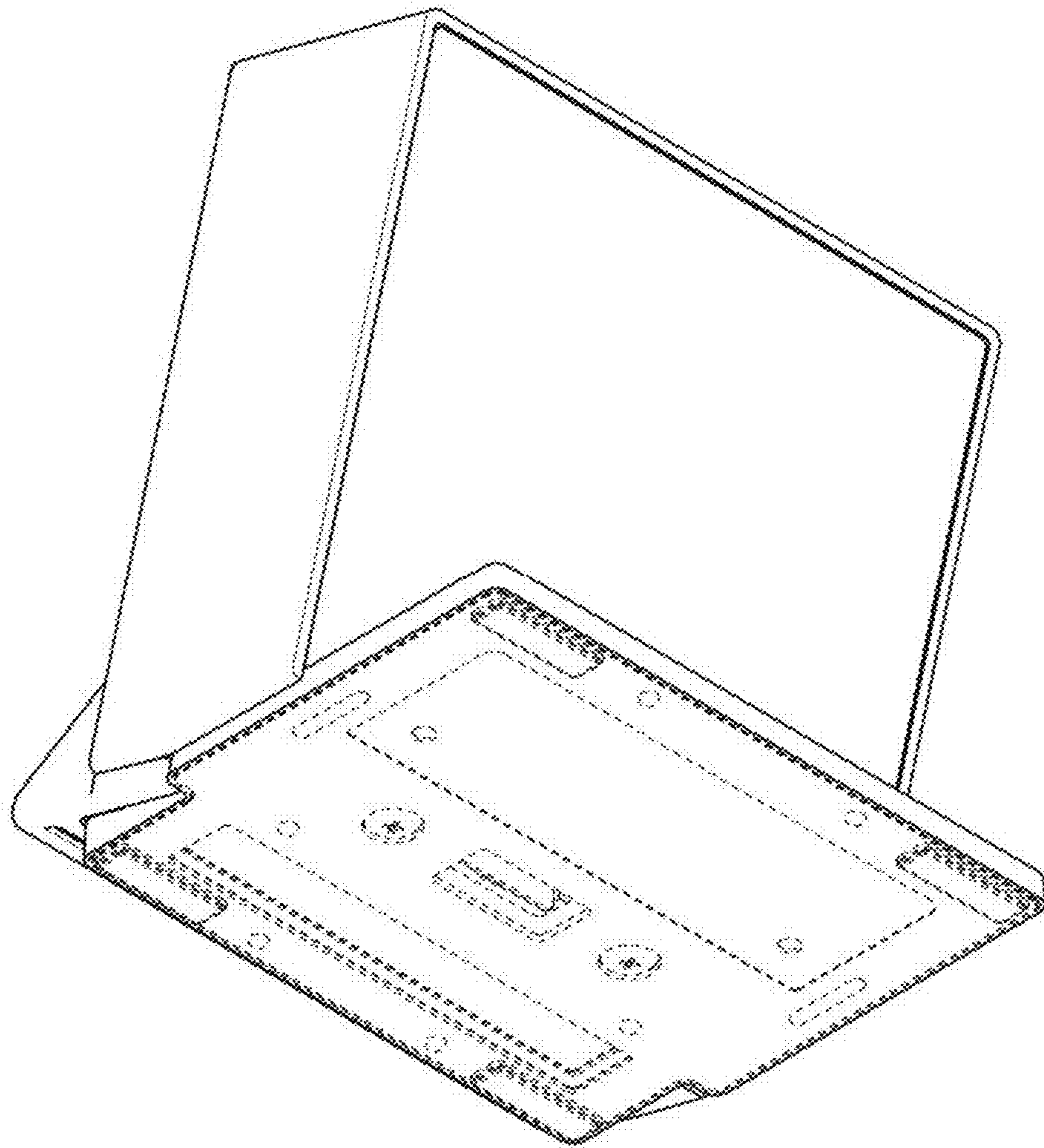
1.8



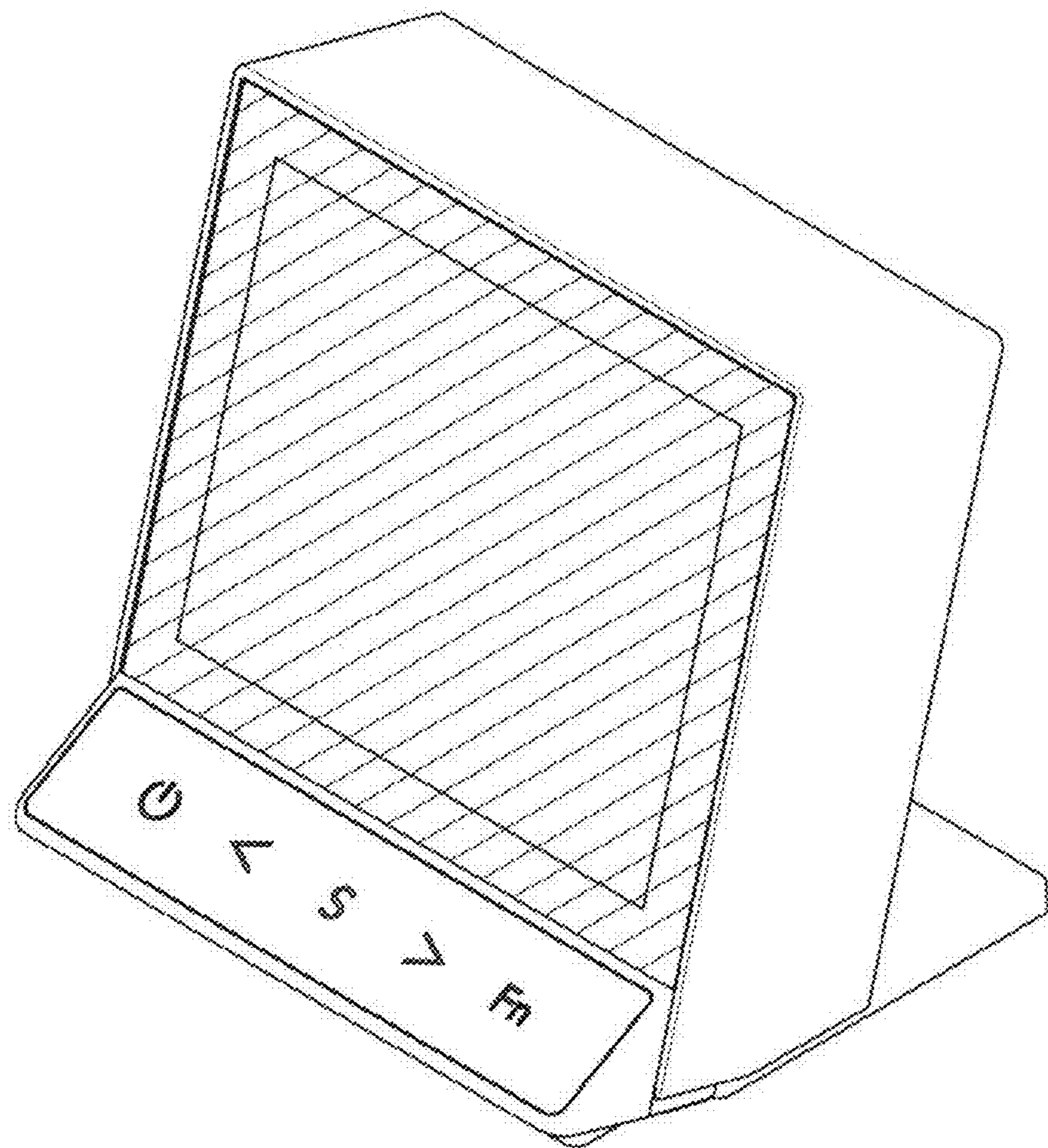
1.9



1.10



1.11



1.12

