

US00D963169S

(12) **United States Design Patent** (10) **Patent No.:** **US D963,169 S**  
**Eckstein et al.** (45) **Date of Patent:** **\*\* Sep. 6, 2022**

(54) **X-RAY PRODUCTION APPARATUS**  
(71) Applicant: **Brainlab AG**, Munich (DE)  
(72) Inventors: **Stefan Eckstein**, Munich (DE); **Frank Ehnes**, Munich (DE); **Elmar Schlereth**, Munich (DE)  
(73) Assignee: **Brainlab AG**, Munich (DE)  
(\*\*) Term: **15 Years**  
(21) Appl. No.: **29/806,182**  
(22) Filed: **Sep. 1, 2021**

D637,717 S 5/2011 Clarke et al.  
D667,113 S 9/2012 Leidolt  
D671,216 S 11/2012 Moon et al.  
D685,479 S \* 7/2013 Charles ..... D24/158  
D757,939 S \* 5/2016 Tsujita ..... D24/158  
D783,827 S \* 4/2017 Arishima ..... D24/158  
D793,557 S \* 8/2017 Thoma ..... D24/158  
D835,271 S 12/2018 Myers  
D837,380 S 1/2019 Hulford et al.  
D857,211 S 8/2019 Schlereth  
D879,303 S 3/2020 Engler et al.  
D885,213 S 5/2020 Dreyer et al.  
D910,732 S 2/2021 Rosenkvist  
D919,809 S 5/2021 Zhang et al.  
D921,899 S 6/2021 Suarez et al.

(Continued)

**Related U.S. Application Data**

(62) Division of application No. 29/728,736, filed on Mar. 20, 2020, now Pat. No. Des. 939,707.

**Foreign Application Priority Data**

Sep. 30, 2019 (EM) ..... 006951588-0001  
Sep. 30, 2019 (EM) ..... 006951588-0002  
Sep. 30, 2019 (EM) ..... 006951588-0003  
Sep. 30, 2019 (EM) ..... 006951588-0004

(51) **LOC (13) Cl.** ..... **24-01**

(52) **U.S. Cl.**  
USPC ..... **D24/158**

(58) **Field of Classification Search**  
USPC ..... D24/107, 158-161, 185, 186, 183, 184  
CPC .. A61B 6/03; A61B 6/035; A61B 5/05; A61B 5/055; A61B 6/4405; A61B 6/4417; A61B 6/4411; A61B 6/4435; A61B 6/4464; A61B 6/4452

See application file for complete search history.

(56) **References Cited**

**U.S. PATENT DOCUMENTS**

D566,283 S 4/2008 Brafford  
D612,501 S 3/2010 Richenberger

**OTHER PUBLICATIONS**

Notice of Allowance for related U.S. Appl. No. 29/728,736, dated Aug. 30, 2021. 27 pages.

*Primary Examiner* — Anhdao Doan

(74) *Attorney, Agent, or Firm* — Tucker Ellis LLP

(57) **CLAIM**

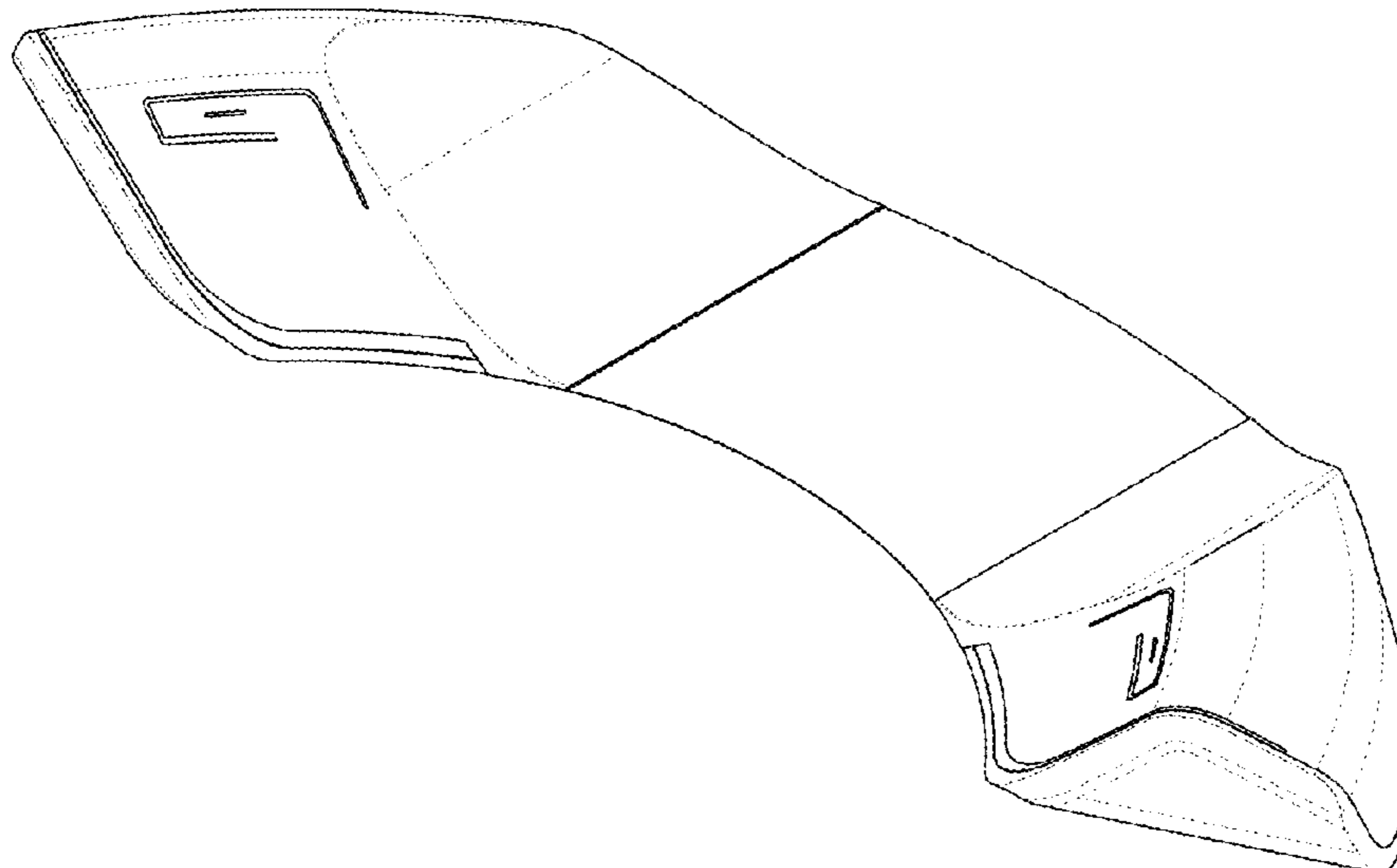
The ornamental design for an X-ray production apparatus, as shown and described.

**DESCRIPTION**

FIG. 1 is a perspective view of an X-ray production apparatus showing our new design;  
FIG. 2 is a front view thereof;  
FIG. 3 is a rear view thereof;  
FIG. 4 is a left side view thereof;  
FIG. 5 is a right side view thereof;  
FIG. 6 is a top view thereof; and,  
FIG. 7 is a bottom view thereof.

The broken lines show portions of the design that form no part of the claimed design.

**1 Claim, 6 Drawing Sheets**



(56)

**References Cited**

U.S. PATENT DOCUMENTS

D939,707 S \* 12/2021 Eckstein ..... D24/158  
2020/0275899 A1 \* 9/2020 Sandoval ..... A61B 6/4435

\* cited by examiner

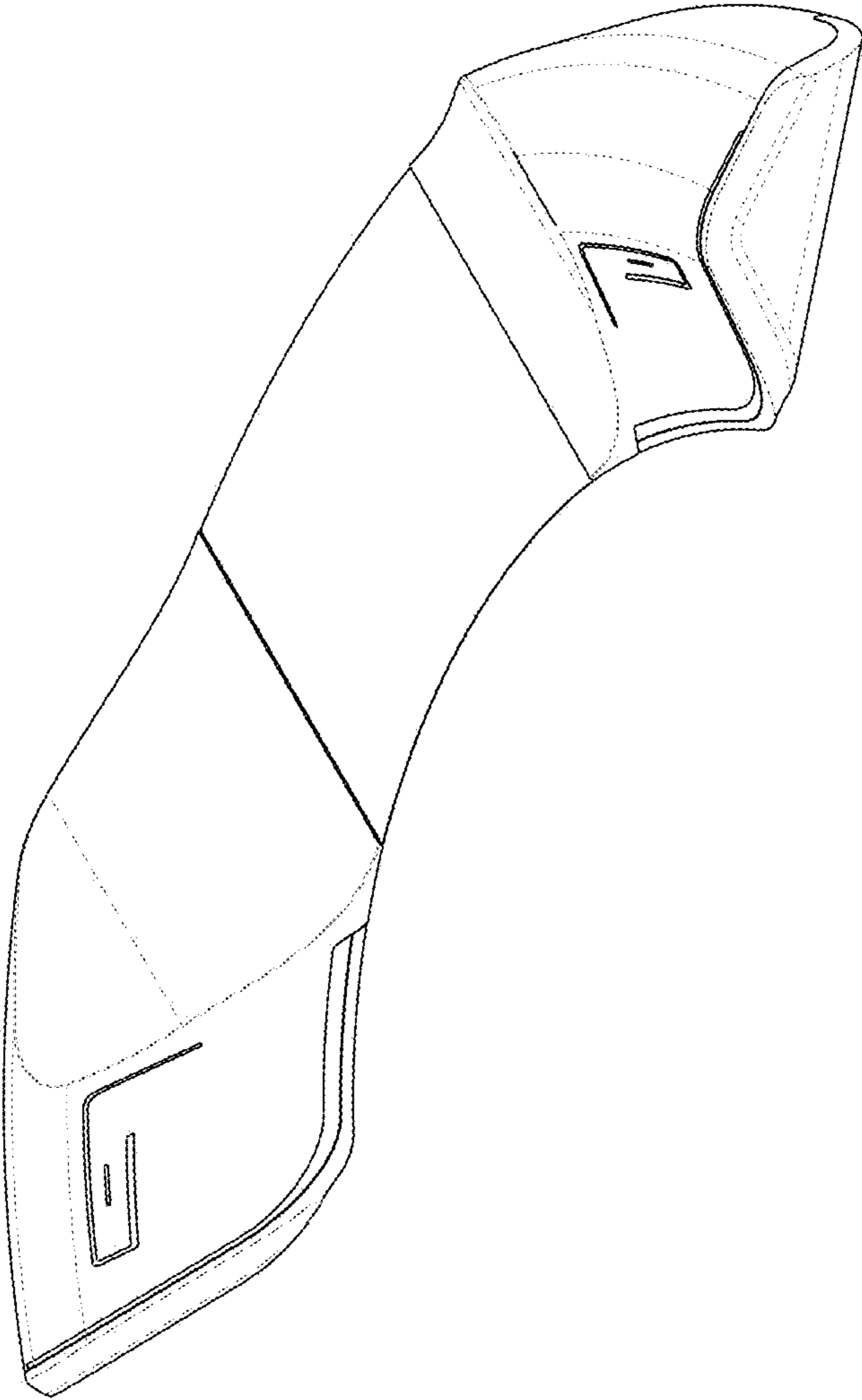


FIG. 1



FIG. 2



FIG. 3

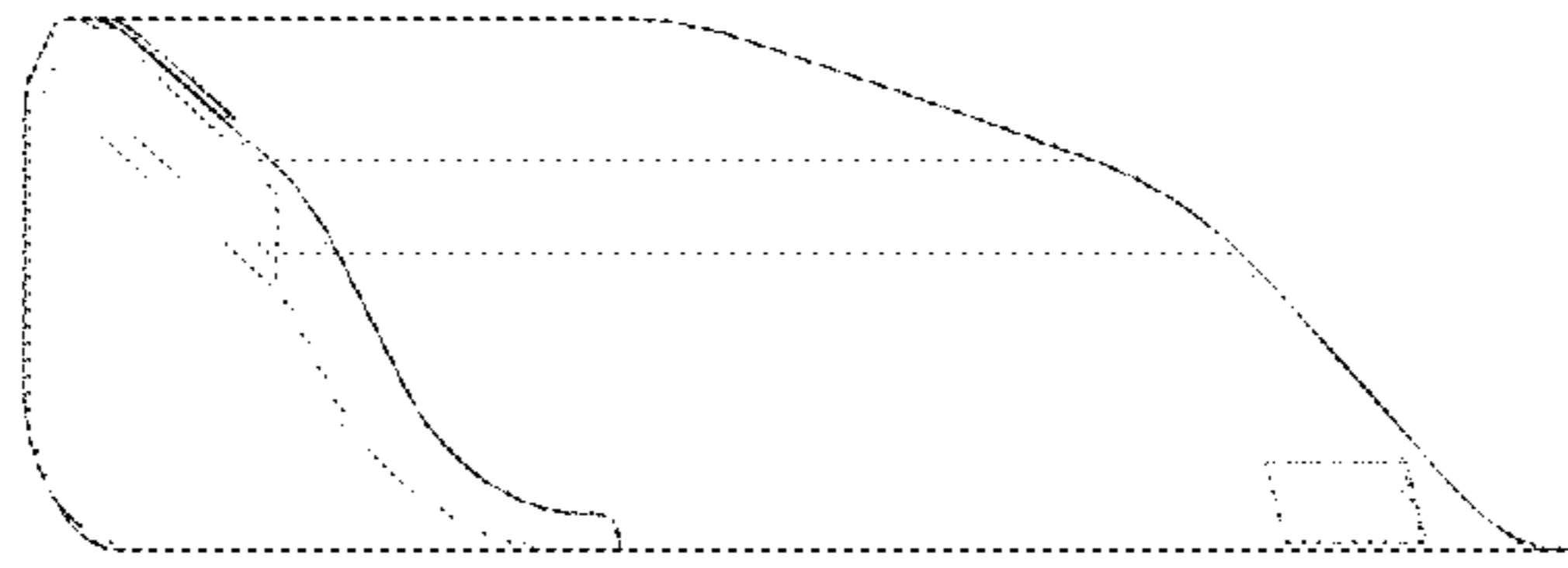


FIG. 4

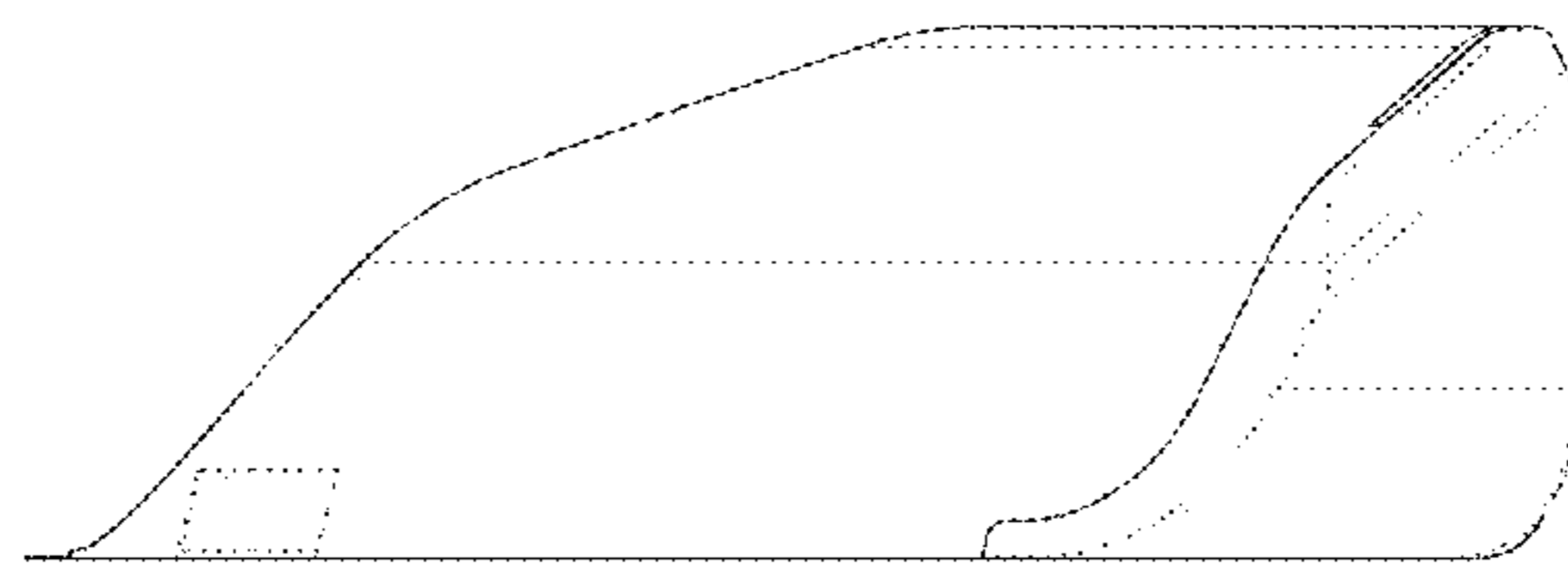


FIG. 5

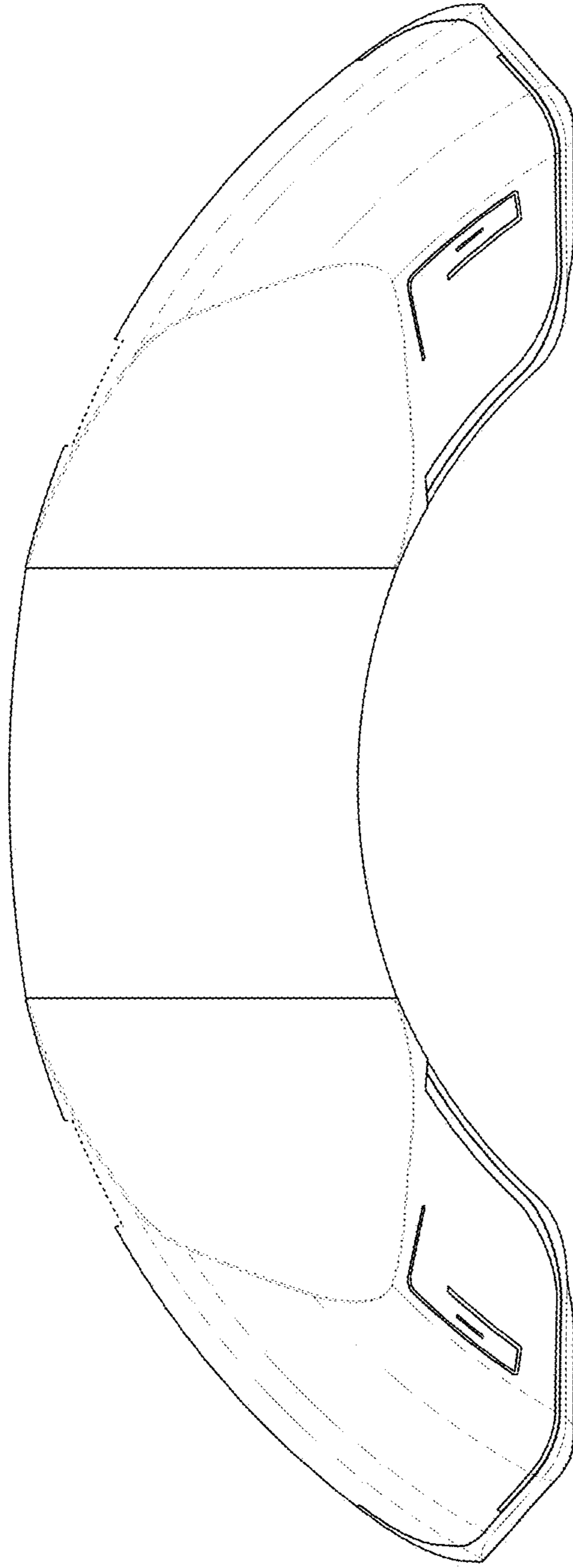


FIG. 6

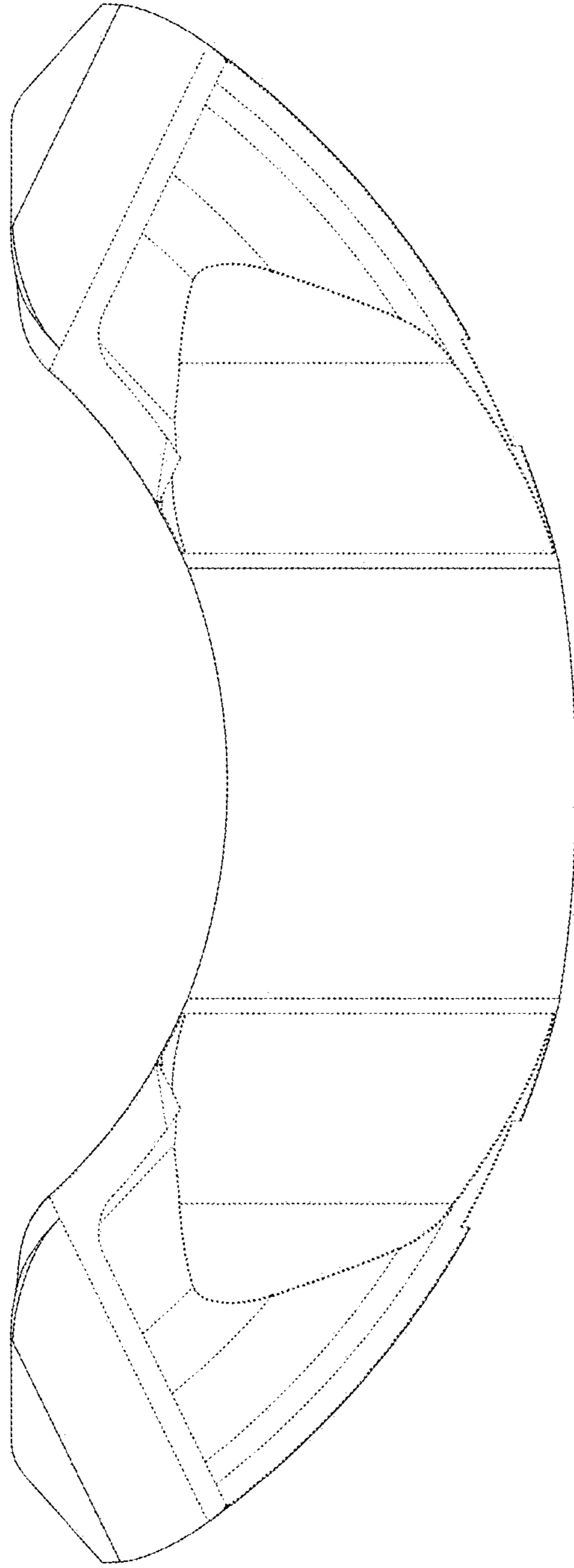


FIG. 7