

US00D963168S

(12) **United States Design Patent** (10) **Patent No.:** **US D963,168 S**
Jones (45) **Date of Patent:** **** Sep. 6, 2022**

(54) **WEARABLE MRI PELVIC COIL**
(71) Applicant: **ScanMed, LLC**, Omaha, NE (US)
(72) Inventor: **Randall W. Jones**, Omaha, NE (US)
(73) Assignee: **ScanMed, LLC**, Omaha, NE (US)

5,666,055 A 9/1997 Jones et al.
6,084,411 A 7/2000 Giaquinto et al.
6,137,291 A 10/2000 Szumowski et al.
6,438,402 B1 8/2002 Hashoian et al.

(Continued)

(**) Term: **15 Years**

(21) Appl. No.: **29/750,447**

(22) Filed: **Sep. 14, 2020**

OTHER PUBLICATIONS

“ScanMed Clinical Presentation at Mayo Clinic, Feb. 1, 2015, with attention to pp. 1 and 8”.

(Continued)

Primary Examiner — Anhdao Doan

(74) *Attorney, Agent, or Firm* — Baird Holm LLP

Related U.S. Application Data

(63) Continuation of application No. 29/623,889, filed on Oct. 27, 2017, now abandoned.

(51) **LOC (13) Cl.** **24-01**

(52) **U.S. Cl.**
USPC **D24/158**

(58) **Field of Classification Search**
USPC D24/107, 158–161, 185, 186
CPC A61B 6/03; A61B 6/035; A61B 5/0042;
A61B 5/005; G01R 33/283; G01R
33/34084; G01R 33/34069; G01R
33/4806; G01R 33/4812
See application file for complete search history.

(57) **CLAIM**

The ornamental design for a wearable MRI pelvic coil, as shown and described.

DESCRIPTION

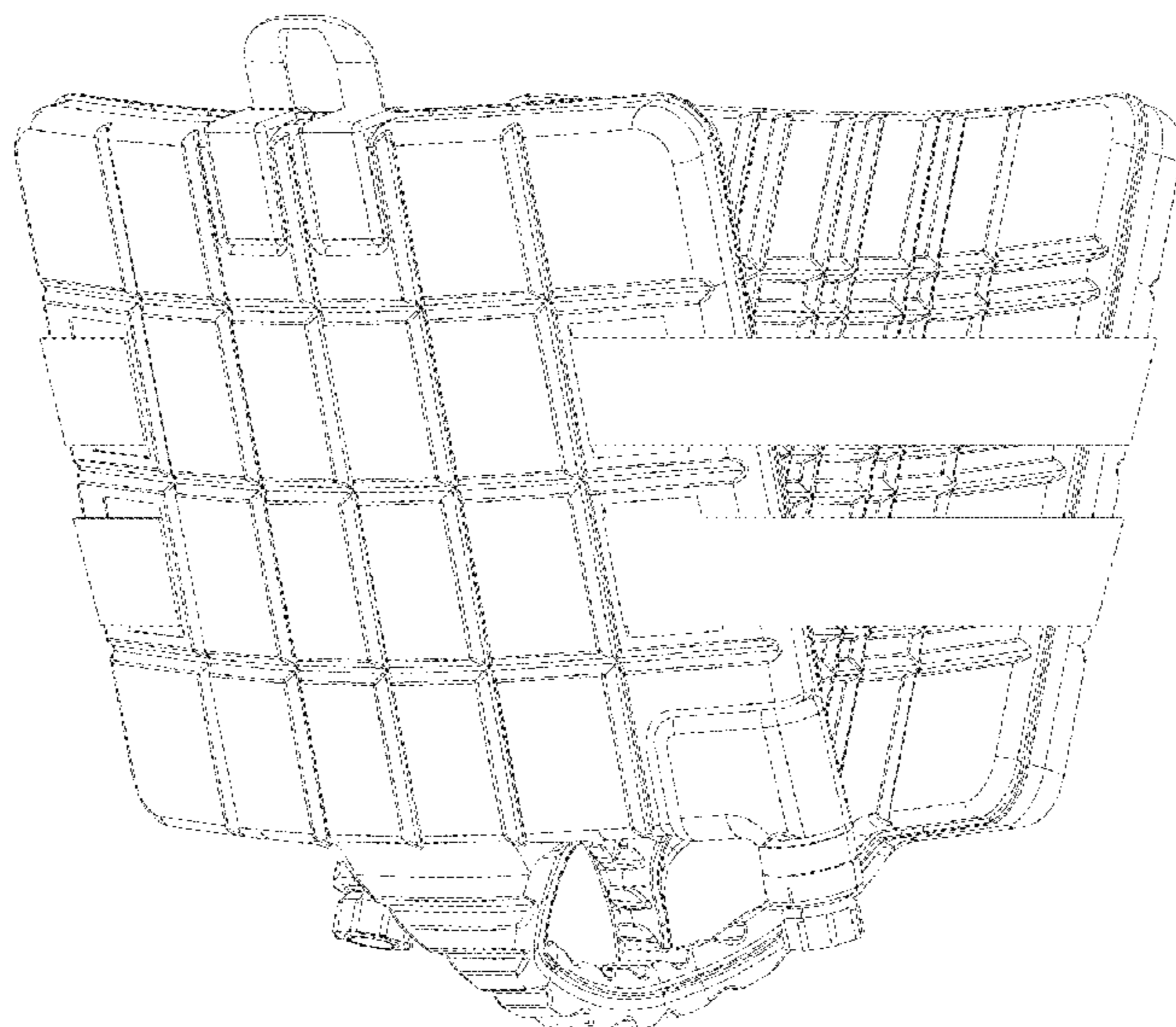
FIG. 1 is a front perspective view of a wearable magnetic resonance imaging (MRI) pelvic coil.
FIG. 2 is a front view of the wearable MRI pelvic coil of FIG. 1.
FIG. 3 is a bottom view of the wearable MRI pelvic coil of FIG. 1.
FIG. 4 is a first side view of the wearable MRI pelvic coil of FIG. 1.
FIG. 5 is a second side view of the wearable MRI pelvic coil of FIG. 1.
FIG. 6 is a back view of the wearable MRI pelvic coil of FIG. 1.
FIG. 7 is a top view of the wearable MRI pelvic coil of FIG. 1.
FIG. 8 is a bottom view of an open position of the wearable MRI pelvic coil of FIG. 1 to show the outside of the wearable MRI pelvic coil; and,
FIG. 9 is a top view of the wearable MRI pelvic coil of FIG. 1 to show the inside of the wearable MRI pelvic coil.

(56) **References Cited**

U.S. PATENT DOCUMENTS

3,299,375 A 1/1967 Thompson
4,825,162 A 4/1989 Roemer et al.
5,307,806 A 5/1994 Jones
5,343,862 A 9/1994 Jones
5,351,688 A * 10/1994 Jones G01R 33/34046
324/318
5,390,672 A 2/1995 Jones
5,430,378 A 7/1995 Jones
5,435,302 A 7/1995 Lenkinski et al.
5,548,218 A 8/1996 Lu
5,594,339 A 1/1997 Henderson et al.
D380,832 S 7/1997 Isshiki et al.

1 Claim, 9 Drawing Sheets



(56)

References Cited

U.S. PATENT DOCUMENTS

6,498,489	B1	12/2002	Vij	
6,624,633	B1	9/2003	Zou et al.	
6,650,926	B1	11/2003	Chan et al.	
7,663,367	B2	2/2010	Wiggins	
D686,324	S	7/2013	Davis et al.	
D701,314	S	3/2014	Davis et al.	
9,002,431	B2	4/2015	Jones	
D911,526	S *	2/2021	Jones	D24/158
2002/0013526	A1	1/2002	Sue et al.	
2002/0169375	A1	11/2002	Nabetani	
2006/0279284	A1	12/2006	Vaughan	
2007/0262777	A1	11/2007	Warntjes et al.	
2008/0204021	A1	8/2008	Leussler et al.	
2009/0261828	A1	10/2009	Nordmeyer-Massner et al.	
2009/0312626	A1	12/2009	Hanrahan et al.	
2012/0249147	A1	10/2012	Ylihautala	
2012/0293174	A1	11/2012	Taracila et al.	
2013/0069651	A1 *	3/2013	Lumiani	G01R 33/34084 324/318
2015/0173678	A1	6/2015	Jones	
2015/0305647	A1	10/2015	Noras	
2015/0323621	A1	11/2015	Noras	
2021/0369133	A1 *	12/2021	Coppens	A61B 5/0033

OTHER PUBLICATIONS

“ScanMed Presentation, RNSA Conference, Nov. 29, 2015, with attention to pp. 1 and 8”.

“ScanMed Presentation, RNSA Conference, Nov. 30, 2014, with attention to pp. 1 and 8”.

* cited by examiner

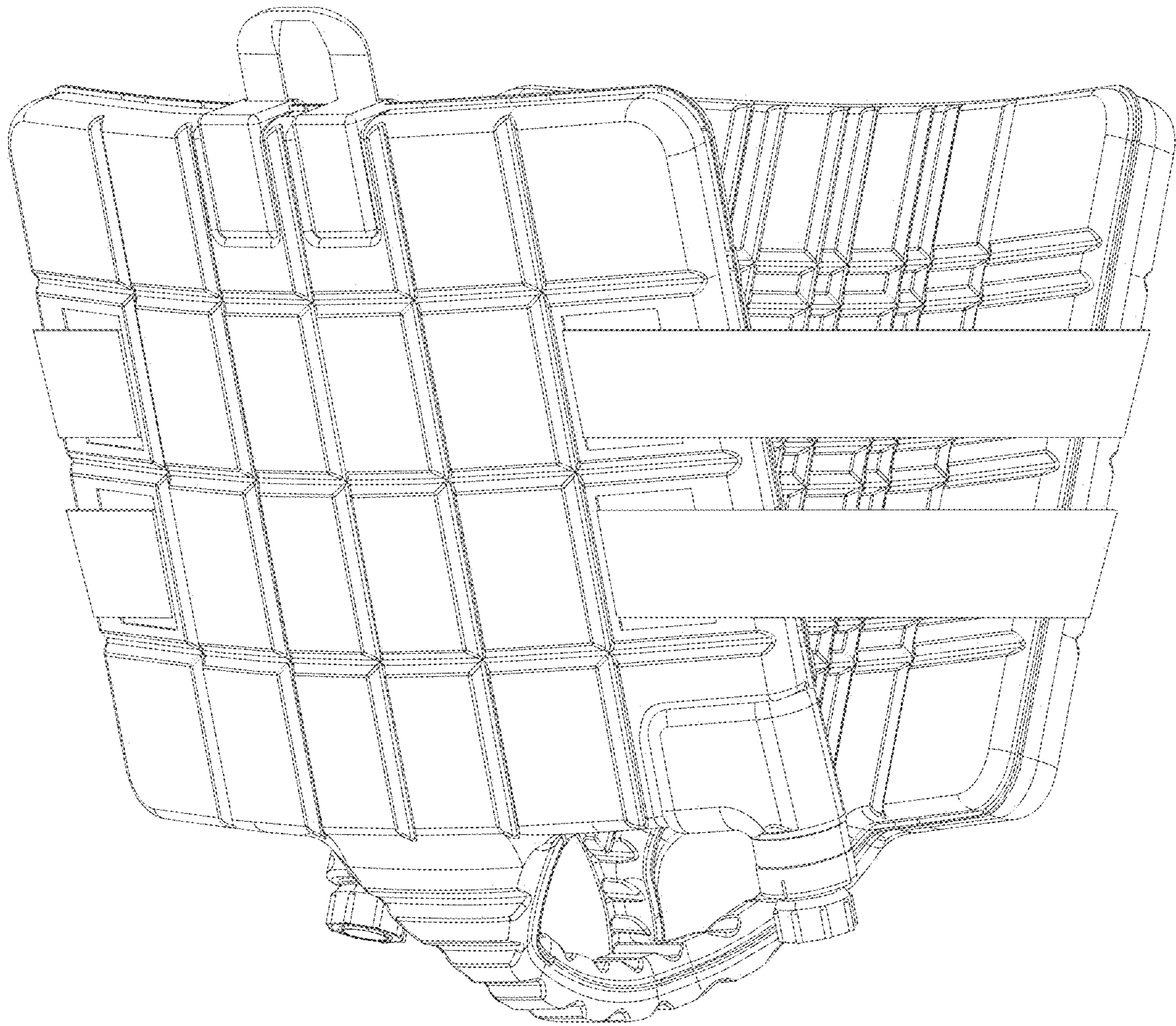


FIGURE 1

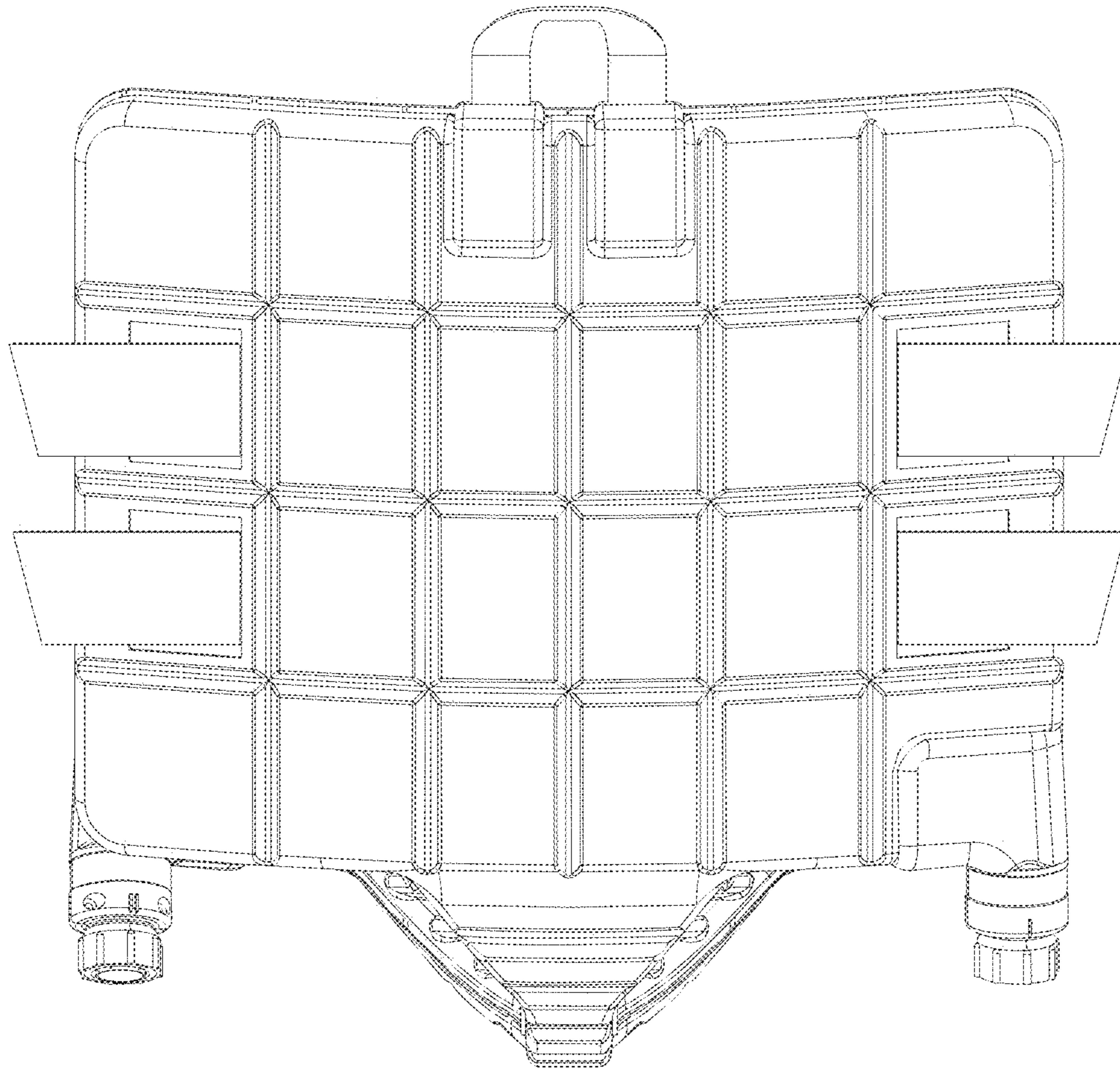


FIGURE 2

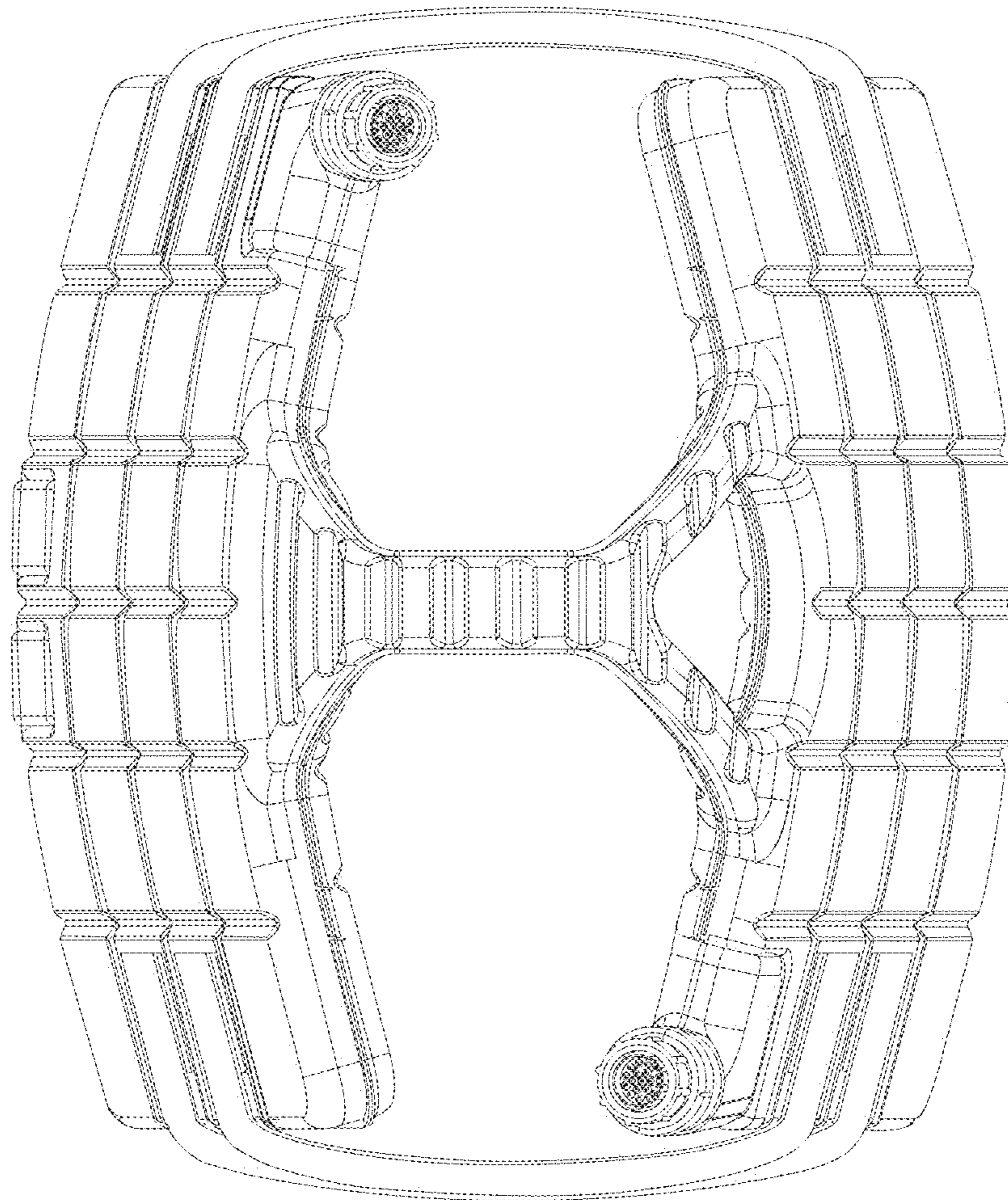


FIGURE 3

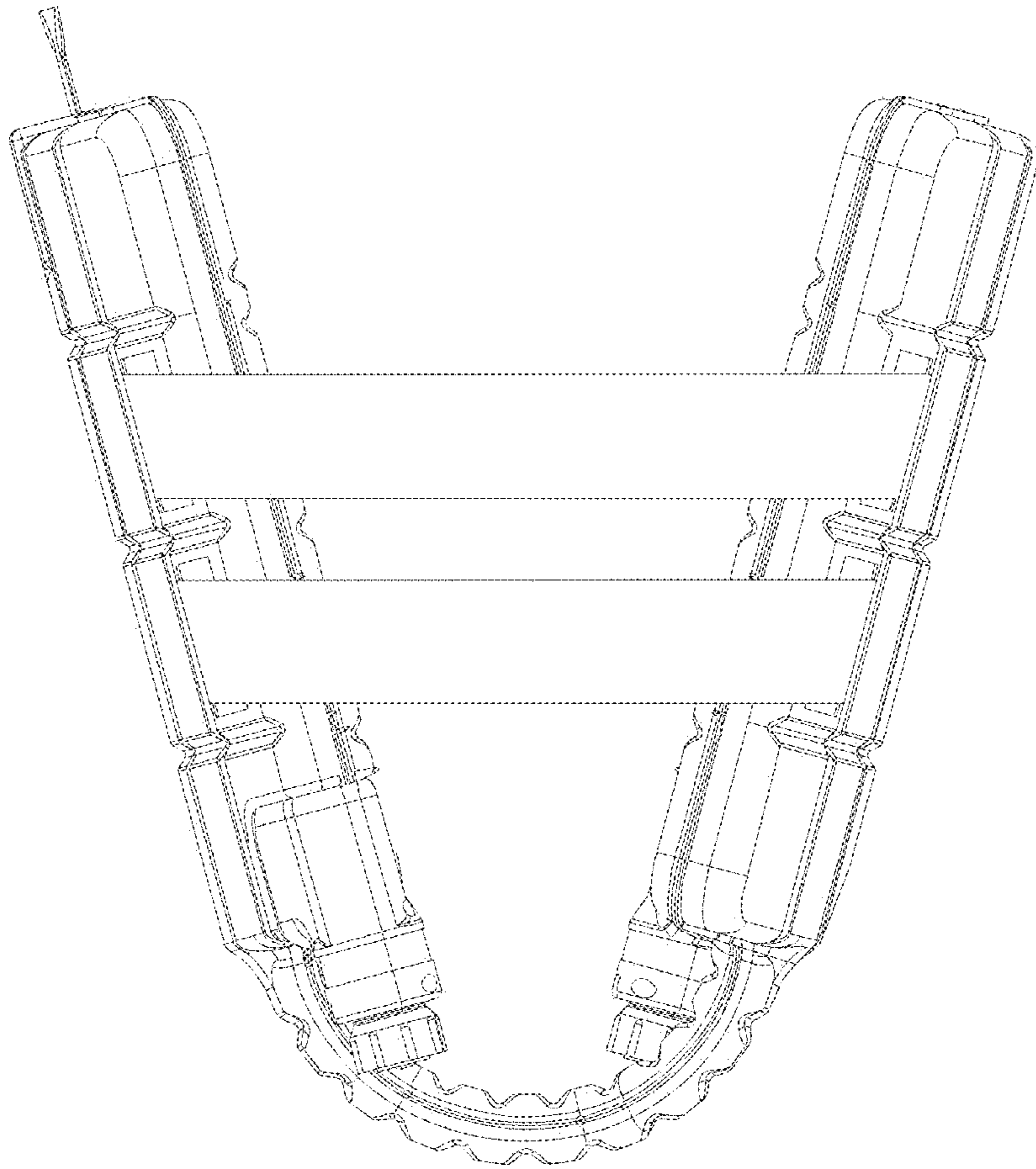


FIGURE 4

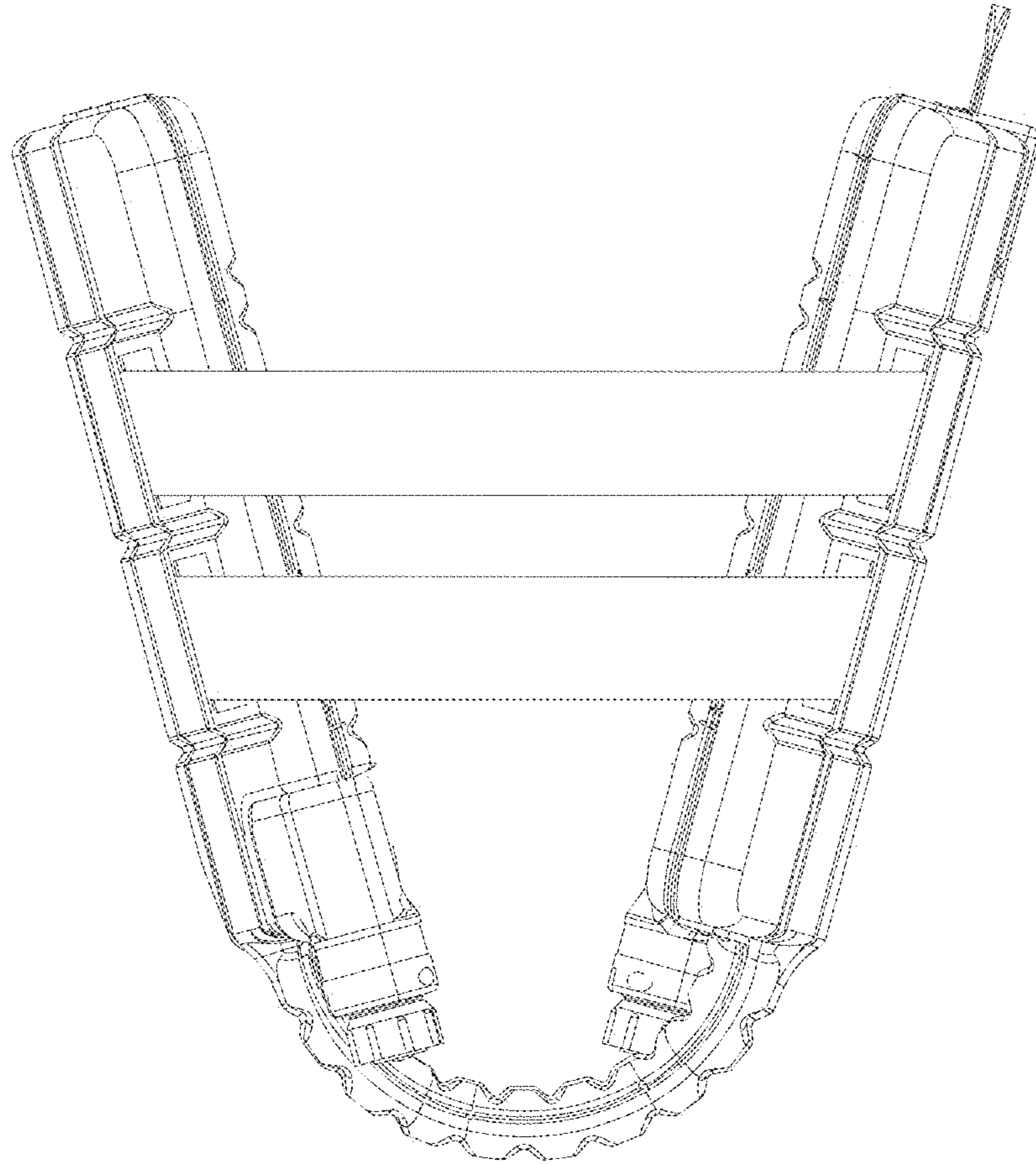


FIGURE 5

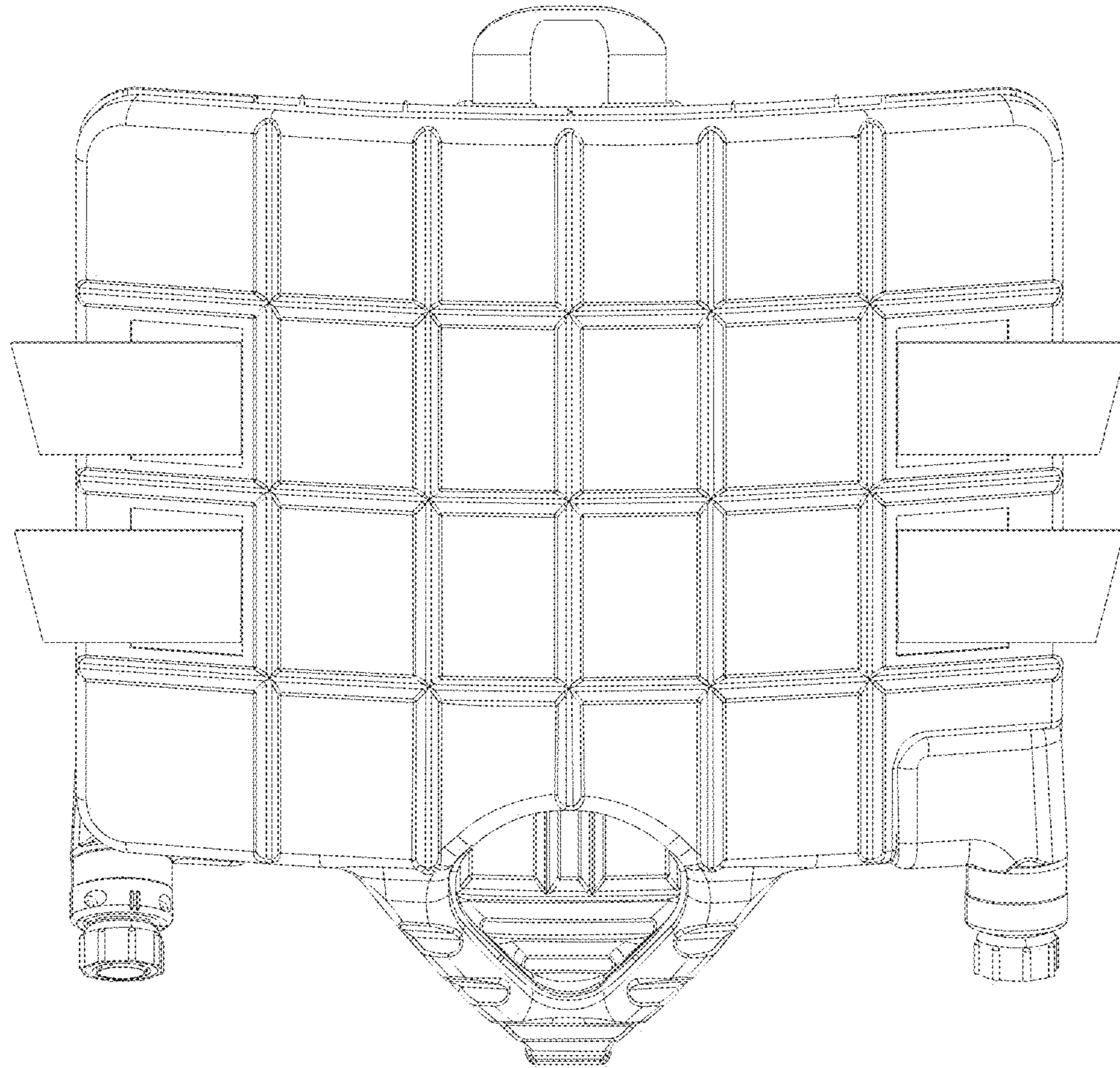


FIGURE 6

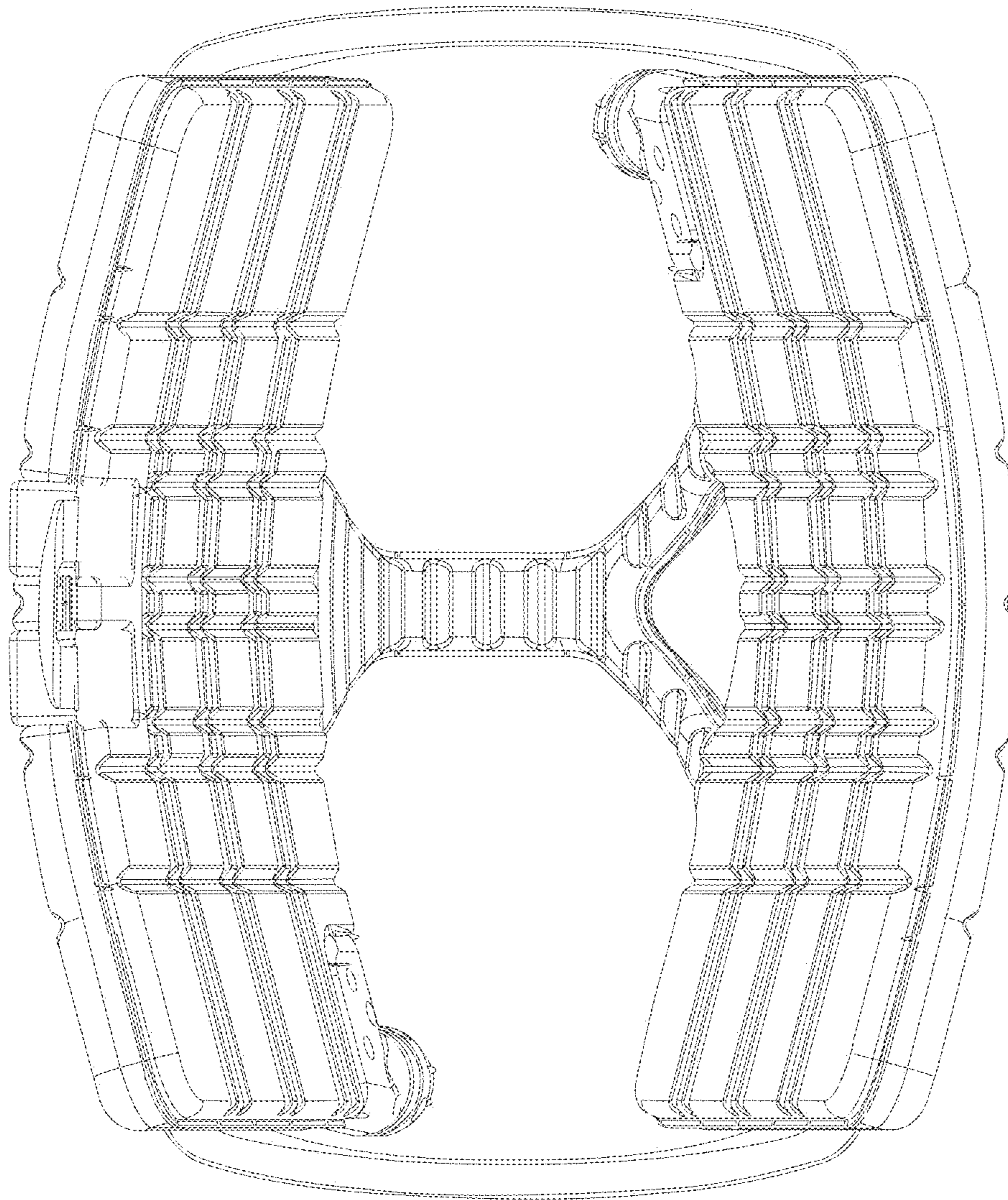


FIGURE 7

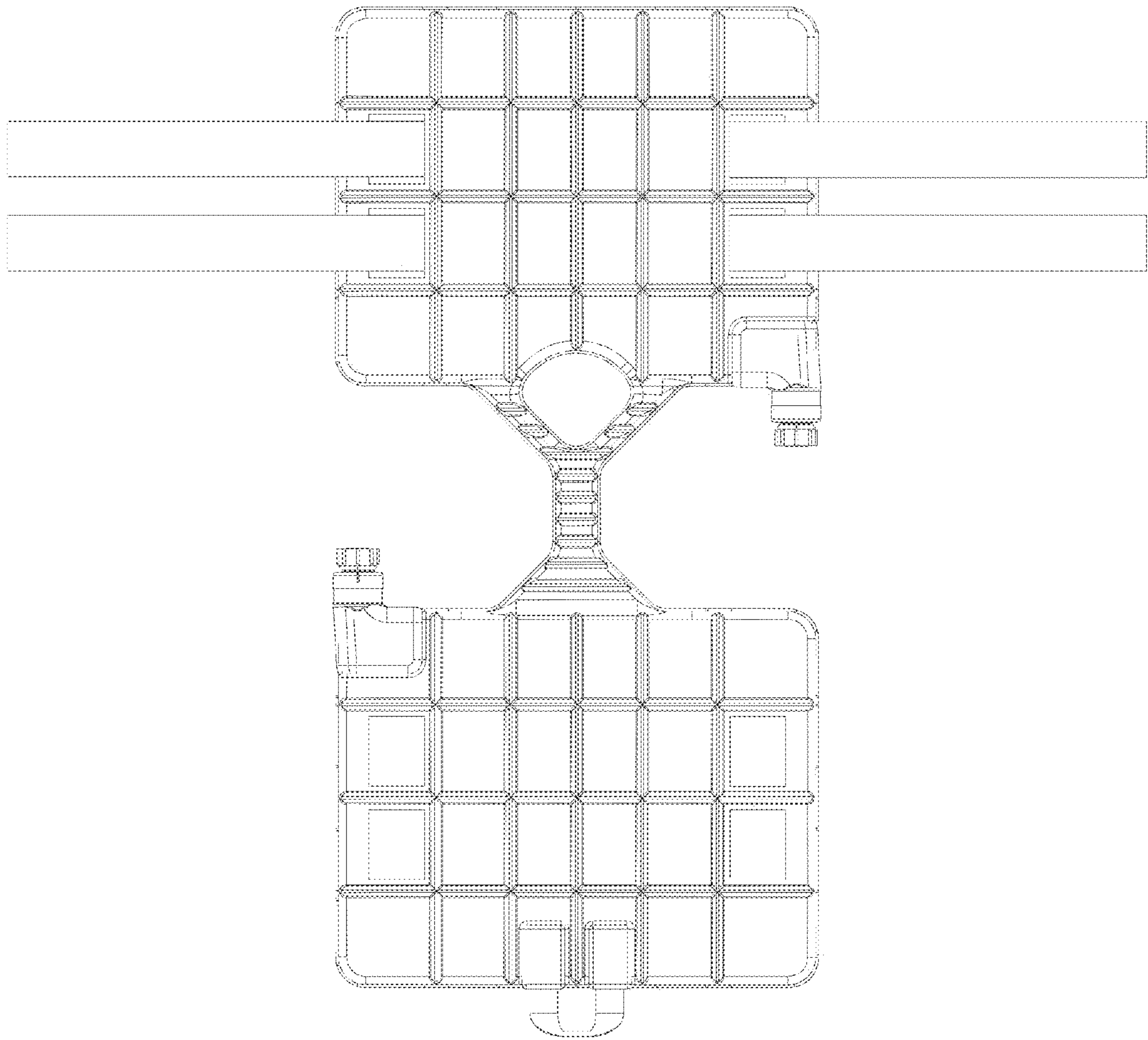


FIGURE 8

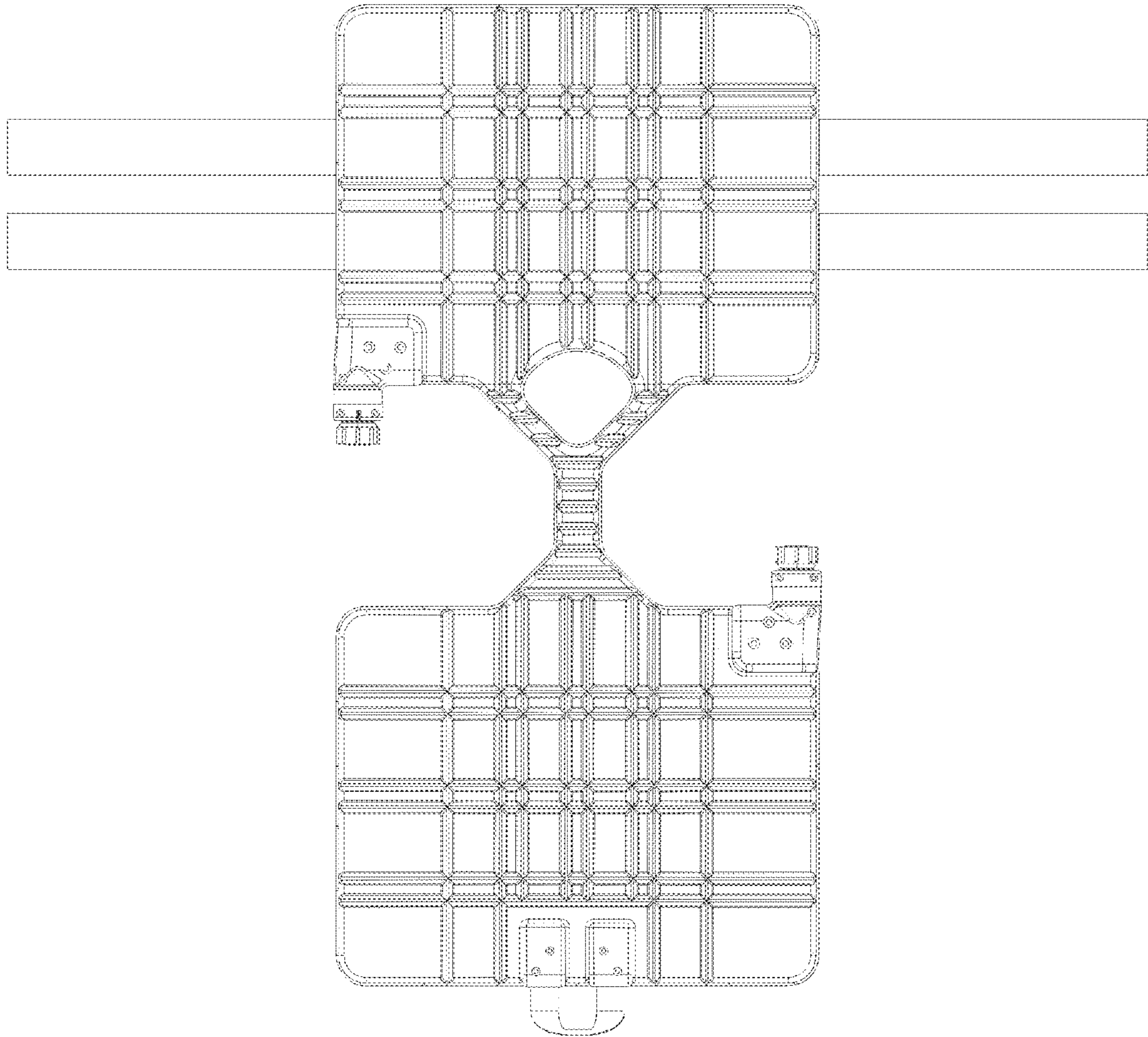


FIGURE 9