



US00D963165S

(12) **United States Design Patent** (10) **Patent No.:** **US D963,165 S**  
**Vijayachandran et al.** (45) **Date of Patent:** **\*\* Sep. 6, 2022**

(54) **TROCAR**

A61M 5/3286; A61M 5/343; B26B 3/00;  
B26B 1/10; B26B 5/005

(71) Applicant: **Cilag GmbH International**, Zug (CH)

See application file for complete search history.

(72) Inventors: **Sajayesh Vijayachandran**, Kerala (IN);  
**Arunachalam Muthuchidambaram**,  
Tamil Nadu (IN); **Arunkumar**  
**Radhakrishnan**, Namakkal Dt (IN);  
**Rushikesh Shrikant Suryawanshi**,  
Zenda chowk Patan (IN); **Balaji**  
**Srinivasan**, Tamilnadu (IN); **Karthik**  
**Jayaraj**, Chennai (IN); **Haribaskaran**  
**Nagarathinam**, Virudhunagar (IN);  
**Giri Prasanna Kumar Mathivanan**,  
Salem (IN); **Gregory G. Scott**,  
Cincinnati, OH (US)

(56)

**References Cited**

U.S. PATENT DOCUMENTS

|              |         |           |       |         |
|--------------|---------|-----------|-------|---------|
| D313,471 S * | 1/1991  | Bremer    | ..... | D24/147 |
| D541,417 S * | 4/2007  | Albrecht  | ..... | D24/146 |
| D542,918 S * | 5/2007  | Albrecht  | ..... | D24/146 |
| D589,617 S * | 3/2009  | Carter    | ..... | D24/146 |
| D606,194 S * | 12/2009 | Frey      | ..... | D24/108 |
| D607,103 S * | 12/2009 | Ulrich    | ..... | D24/146 |
| D638,941 S * | 5/2011  | Cuschieri | ..... | D24/147 |
| D680,647 S * | 4/2013  | Carter    | ..... | D24/146 |

(Continued)

OTHER PUBLICATIONS

Endopath Xcel Blunt Tip Trocars, medline.com/, [online], [site visited Sep. 9, 2021], Available from internet URL: <https://www.medline.com/jump/product/x/Z05-PF28248> (Year: 2021).\*

(Continued)

*Primary Examiner* — Samantha Q Lawrence  
*Assistant Examiner* — Holly M Rodriguez

(57)

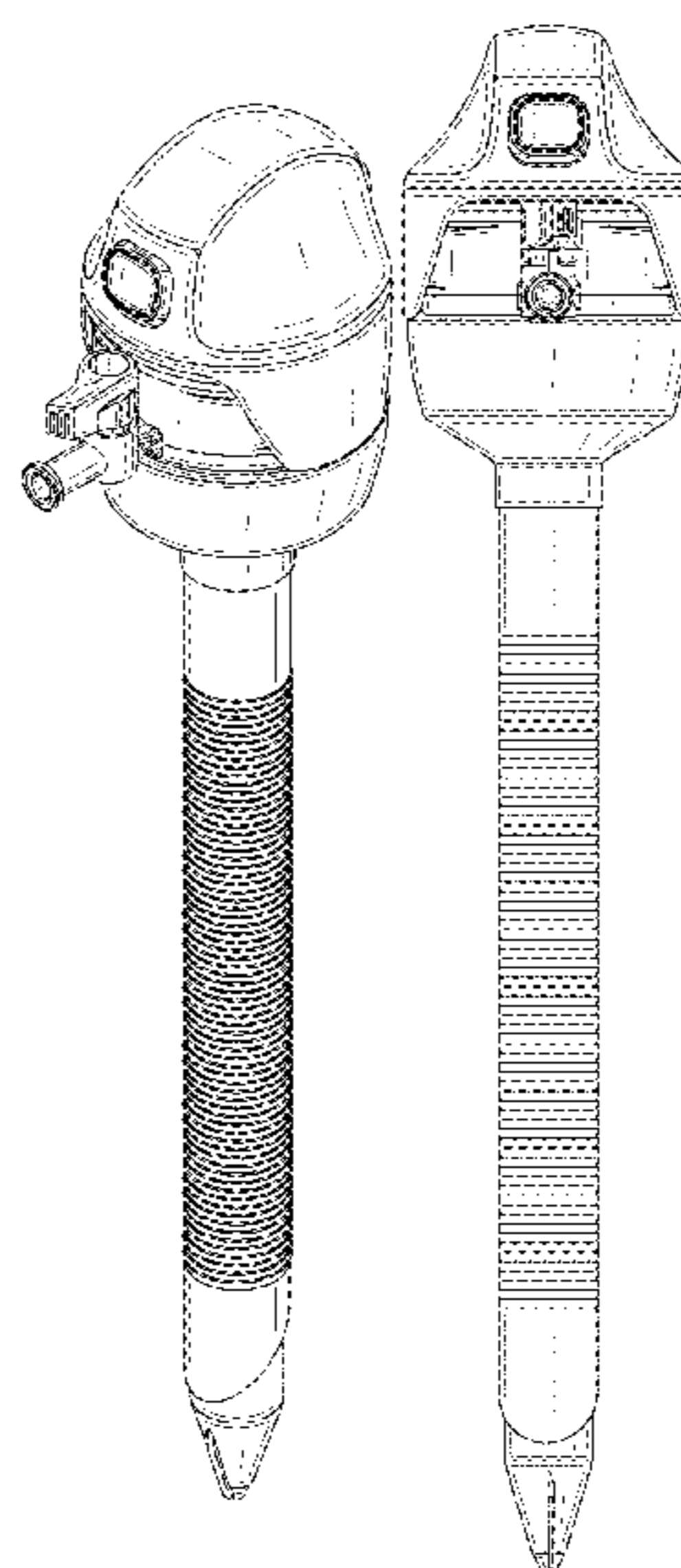
**CLAIM**

The ornamental design for a trocar, as shown and described.

**DESCRIPTION**

FIG. 1 is a perspective view of a first embodiment of a trocar embodying our new design;  
FIG. 2 is a first side view of the trocar of FIG. 1;  
FIG. 3 is a second side view of the trocar of FIG. 1;  
FIG. 4 is a third side view of the trocar of FIG. 1;  
FIG. 5 is a fourth side view of the trocar of FIG. 1;  
FIG. 6 is a top view of the trocar of FIG. 1; and  
FIG. 7 is a bottom view of the trocar of FIG. 1.  
The broken lines shown in the figures illustrate portions of the trocar that form no part of the claimed design.

**1 Claim, 4 Drawing Sheets**



(56)

**References Cited**

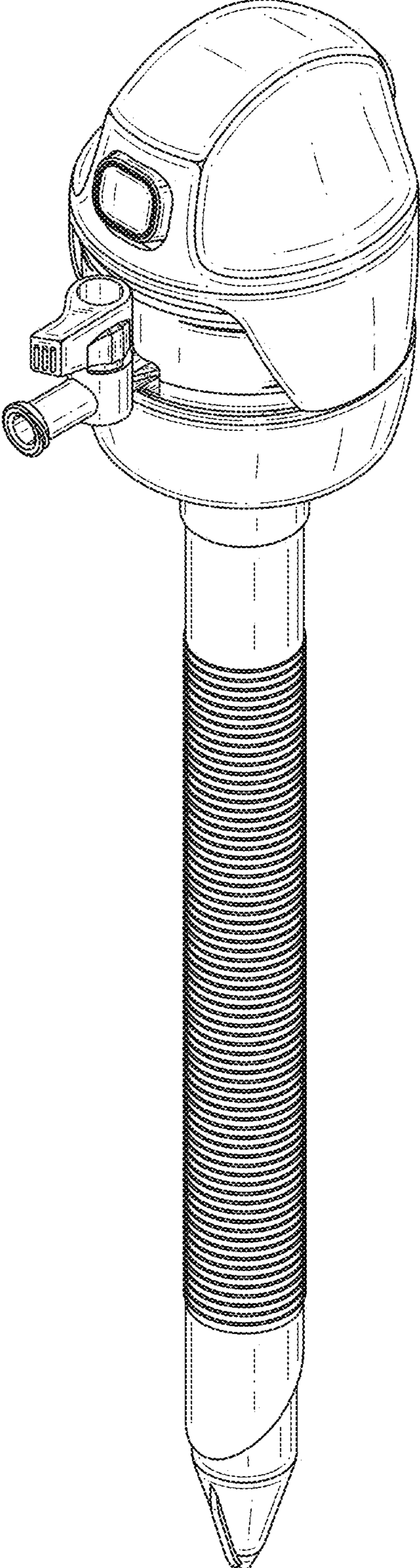
## U.S. PATENT DOCUMENTS

D700,326 S \* 2/2014 Minnelli ..... D24/146  
D733,880 S \* 7/2015 Mueller ..... D24/147  
D736,926 S \* 8/2015 Minnelli ..... D24/147  
D753,303 S \* 4/2016 Dannaher ..... D24/146  
9,358,041 B2 \* 6/2016 Moreno, Jr. .... A61B 17/3462  
D794,791 S \* 8/2017 Zhou ..... D24/146  
D797,288 S \* 9/2017 Zhou ..... D24/146  
D797,289 S \* 9/2017 Zhou ..... D24/146  
D814,032 S \* 3/2018 Zhou ..... D24/146  
D887,002 S \* 6/2020 Geng ..... D24/146  
10,675,009 B2 \* 6/2020 Hess ..... A61B 17/3423  
10,675,018 B2 \* 6/2020 Jast ..... A61B 17/06066  
10,709,440 B2 \* 7/2020 Shelton, IV ..... A61B 17/0485  
2009/0281478 A1 \* 11/2009 Duke ..... A61B 17/34  
604/22  
2011/0237901 A1 \* 9/2011 Duke ..... A61B 17/3462  
600/208  
2015/0351844 A1 \* 12/2015 Smith ..... A61B 50/30  
24/531  
2019/0000504 A1 \* 1/2019 Terete ..... A61B 17/3474  
2019/0000506 A1 \* 1/2019 Parihar ..... A61B 17/3474  
2021/0338278 A1 \* 11/2021 Scott ..... A61B 17/3417

## OTHER PUBLICATIONS

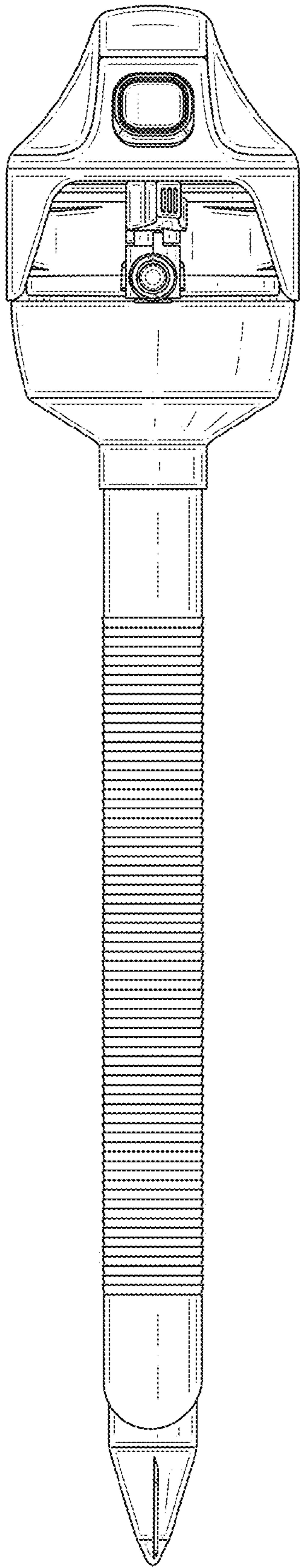
Endopath Xcel® Trocars with Optiview® Technology, fnjmedicaldevices.com, [online], [site visited Sep. 9, 2021], Available from internet URL: <https://www.fnjmedicaldevices.com/en-US/product/endopath-xcel-trocars-optiview-technology> (Year: 2021).\*

\* cited by examiner

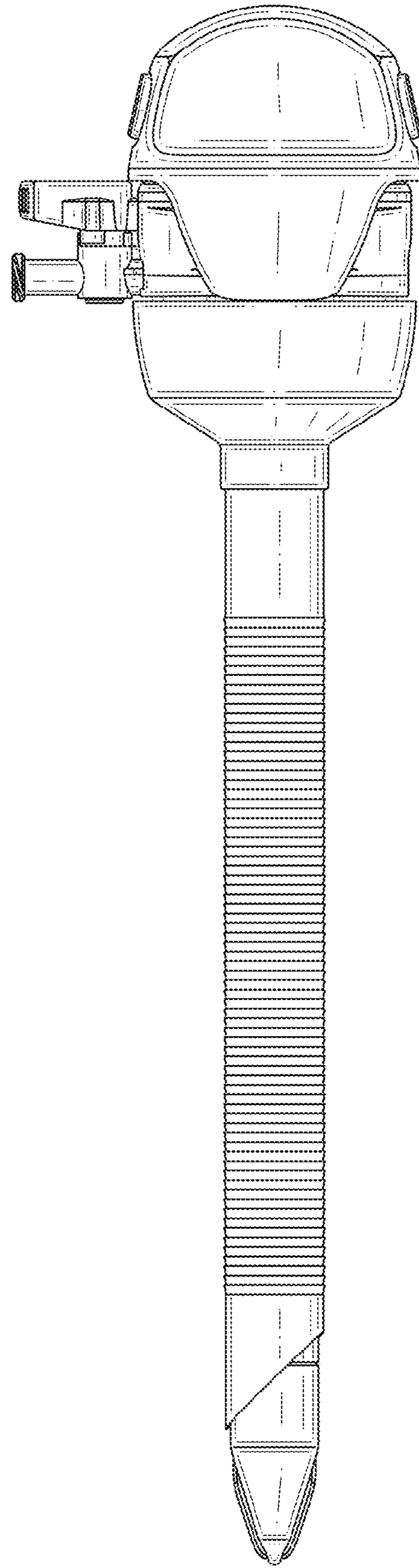


**FIG. 1**

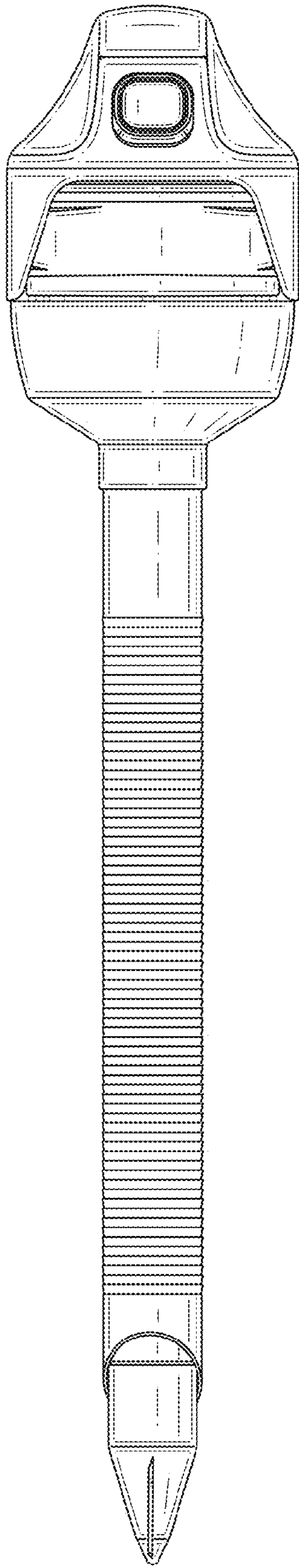




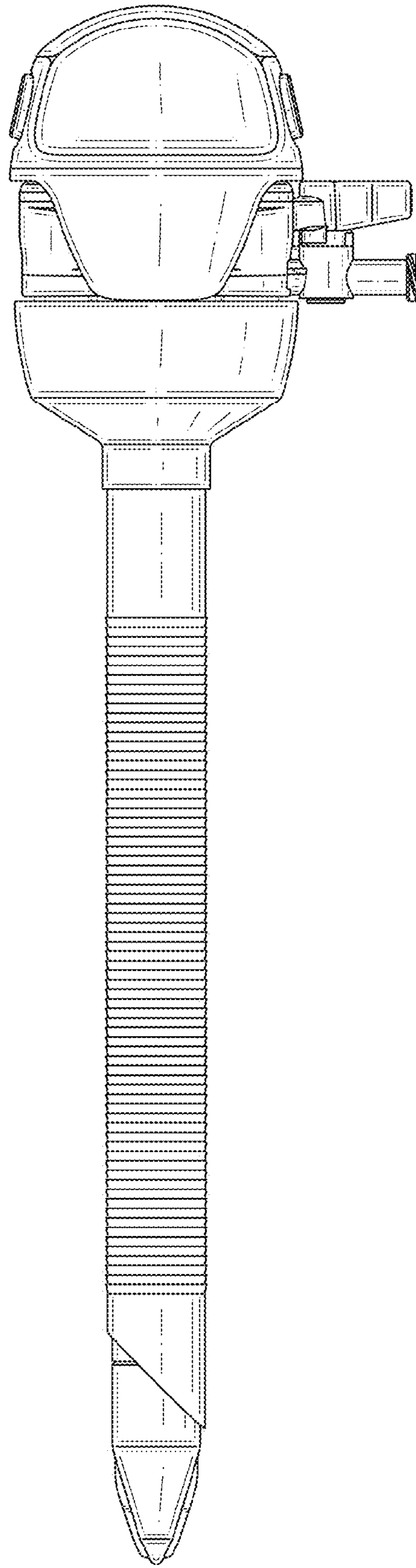
**FIG. 2**



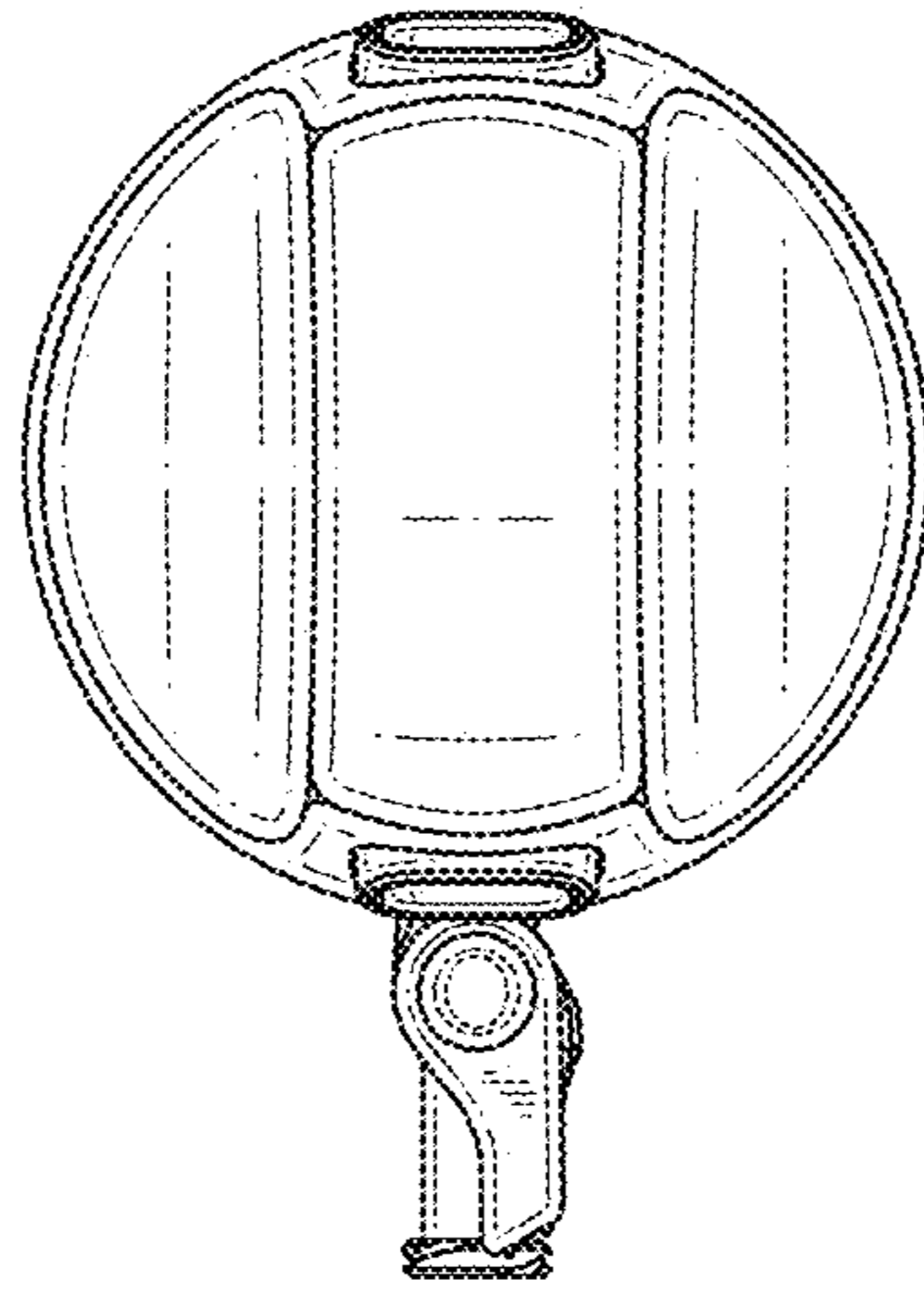
**FIG. 3**



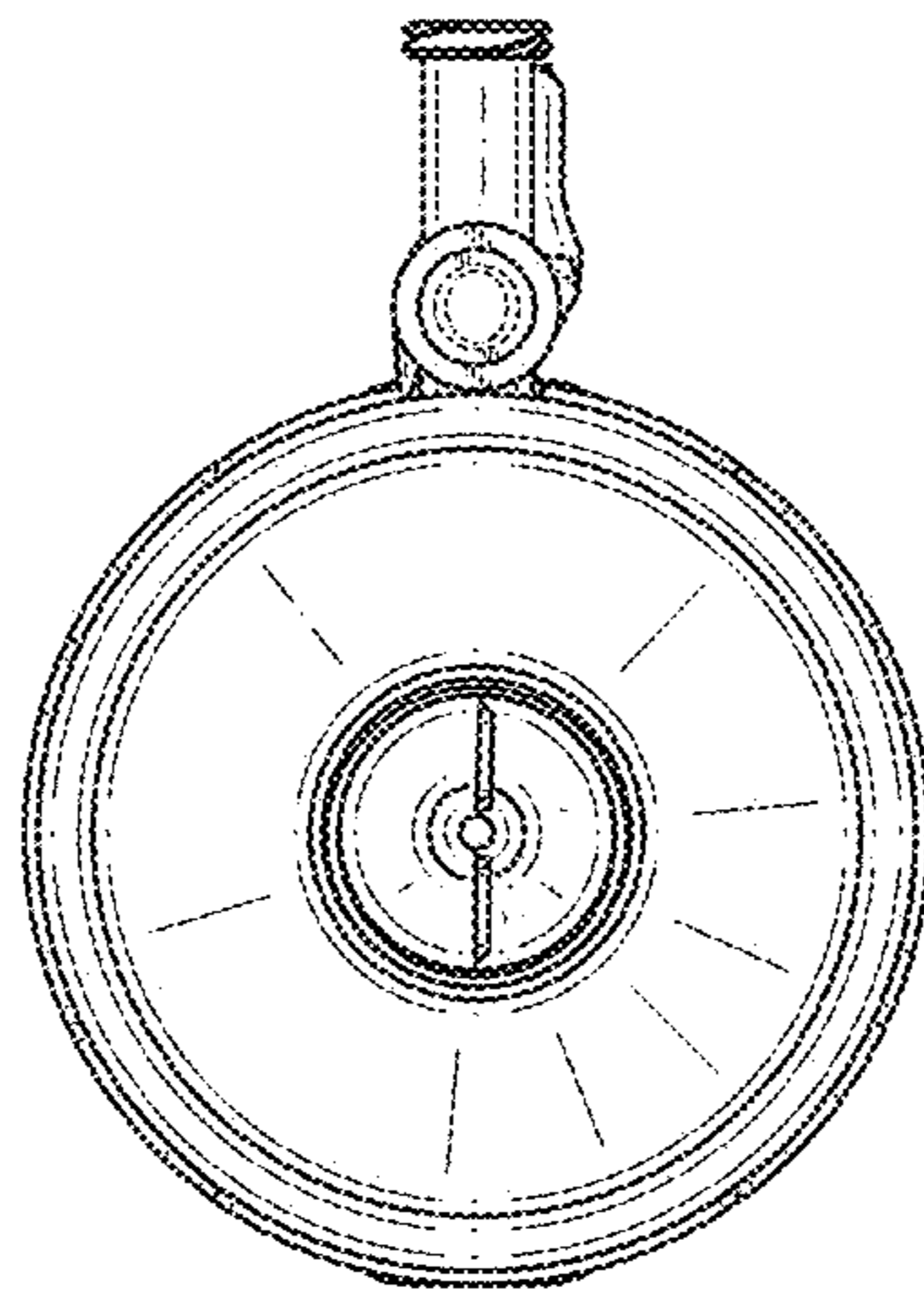
**FIG. 4**



**FIG. 5**



**FIG. 6**



**FIG. 7**