



US00D963162S

(12) **United States Design Patent** (10) **Patent No.:** **US D963,162 S**
Suarez del Real Pena et al. (45) **Date of Patent:** **** Sep. 6, 2022**

(54) **FLOW SPLITTER**

(71) Applicant: **Fresenius Medical Care Holdings, Inc.**, Waltham, MA (US)

(72) Inventors: **Diego Suarez del Real Pena**, Mission, TX (US); **Jose Eduardo Pena Martinez**, Reynosa (MX); **Irving Uziel Hernandez Gomez**, Hidalgo, TX (US)

(73) Assignee: **FRESENIUS MEDICAL CARE HOLDINGS, INC.**, Waltham, MA (US)

(**) Term: **15 Years**

(21) Appl. No.: **29/746,726**

(22) Filed: **Aug. 17, 2020**

(51) **LOC (13) Cl.** **24-02**

(52) **U.S. Cl.**
USPC **D24/129**

(58) **Field of Classification Search**

USPC D23/213, 223, 233, 249, 250, 253, 259, D23/260, 262-269, 323, 333; D7/300.1, D7/313, 509, 510, 523; D14/188, 194, D14/195, 204, 221, 228; D26/26, 37, 40, D26/46, 49, 93, 104, 105; D15/7; D24/108, 110.6, 112, 129
CPC F15B 11/064; F15B 11/068; F15B 11/072; F15B 11/0725; F17C 5/06; F16L 1/00; F16L 9/00; F16L 13/00; F16L 13/146; F16L 2101/00; F16L 17/035; Y10S 92/01; Y10S 102/70; B65G 51/00; B65G 51/18; A47L 9/02; A47L 9/24; A47L 9/242; A47L 9/244; A47L 9/248; A61M 16/08; A61M 16/0816; A61M 16/0833; A61M 29/00; A61M 39/223; A61J 1/05; A61J 1/1475

See application file for complete search history.

(56) **References Cited**

U.S. PATENT DOCUMENTS

D234,081 S * 1/1975 Kish D23/263
D234,082 S * 1/1975 Kish D23/263

D276,369 S * 11/1984 Clawson D24/129
D282,283 S * 1/1986 Weigl D24/129
D301,732 S * 6/1989 Malagrida D23/263
2013/0199530 A1 * 8/2013 Burger A61M 16/0833
128/204.18

* cited by examiner

Primary Examiner — Gino Colan

Assistant Examiner — David Obrien

(74) *Attorney, Agent, or Firm* — KDB

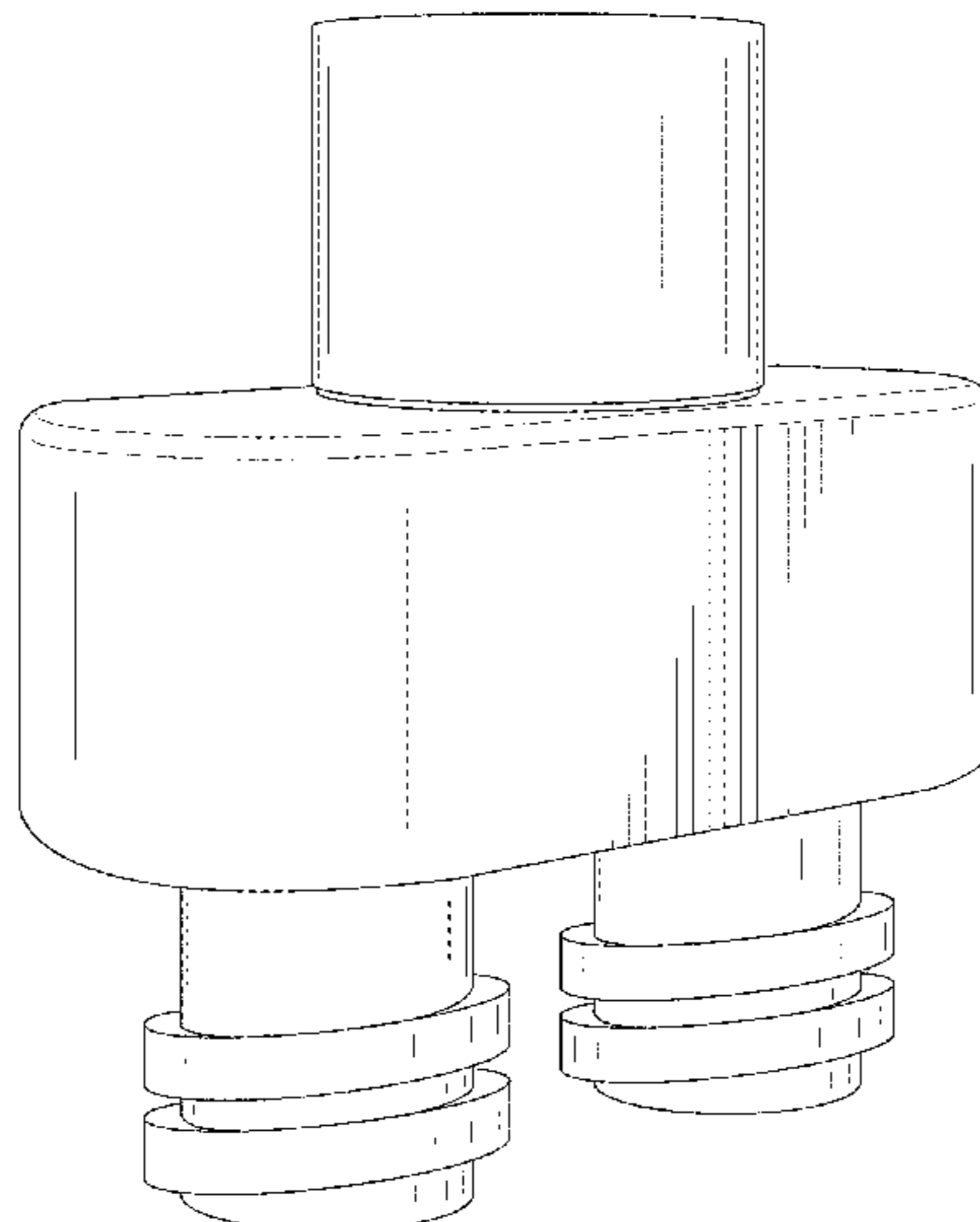
(57) **CLAIM**

The ornamental design for a flow splitter, as shown and described.

DESCRIPTION

FIG. 1 is a rear perspective view of a flow splitter showing our new design;
FIG. 2 is a front elevational view of the flow splitter of FIG. 1;
FIG. 3 is a rear elevational view of the flow splitter of FIG. 1;
FIG. 4 is a right elevational view of the flow splitter of FIG. 1;
FIG. 5 is a left elevational view of the flow splitter of FIG. 1;
FIG. 6 is a top plan view of the flow splitter of FIG. 1;
FIG. 7 is a bottom plan view of the flow splitter of FIG. 1;
FIG. 8 is an exploded, rear perspective view of the flow splitter of FIG. 1; and,
FIG. 9 is a front elevational view of the flow splitter of FIG. 1 in use, coupled to a series of lines or tubing.
The broken lines in the drawings are for the purpose of illustrating environmental structure and portions of the flow splitter and form no part of the claimed design.
The unshaded surfaces shown between the solid lines and the broken lines form no part of the claimed design.

1 Claim, 8 Drawing Sheets



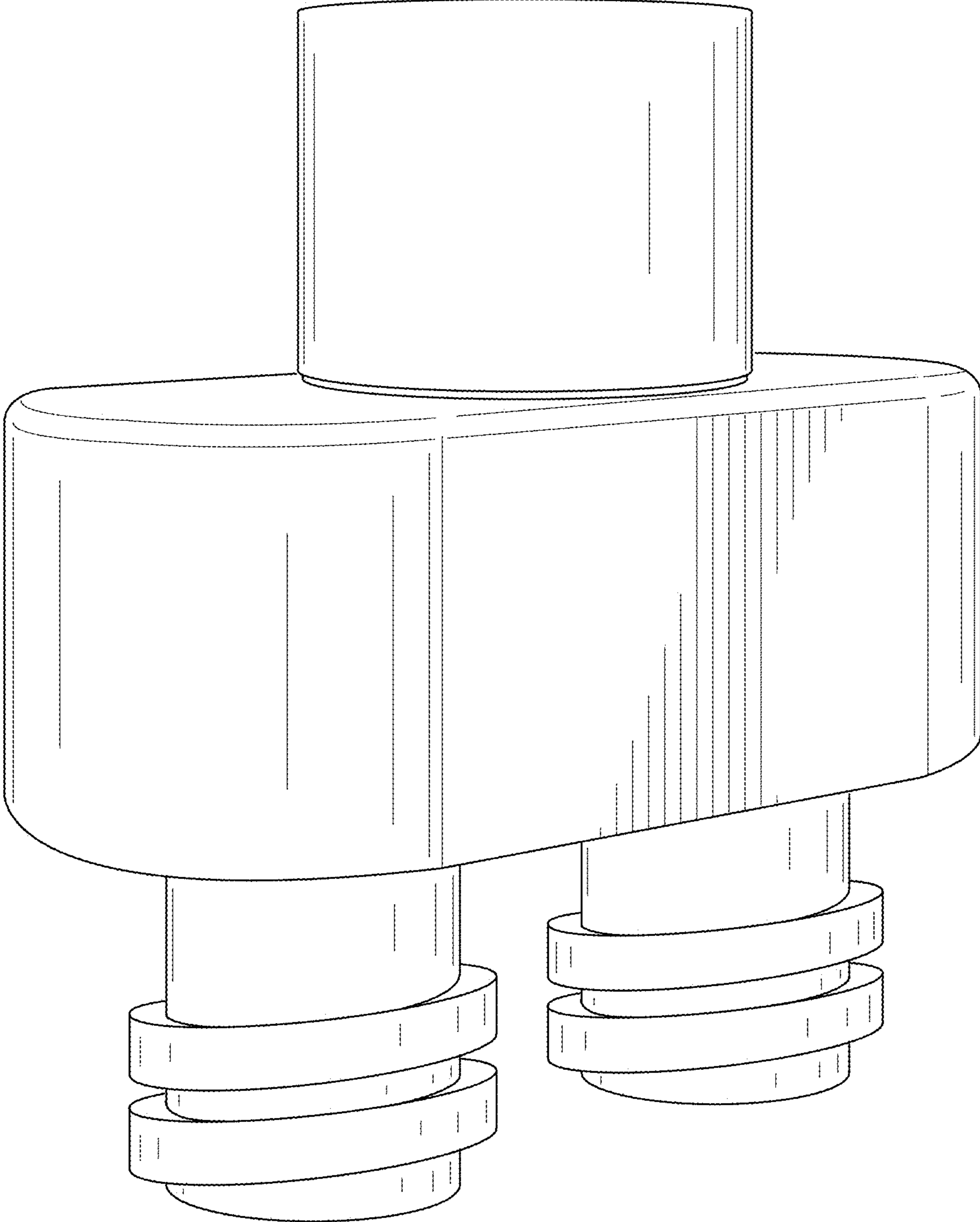


FIG. 1

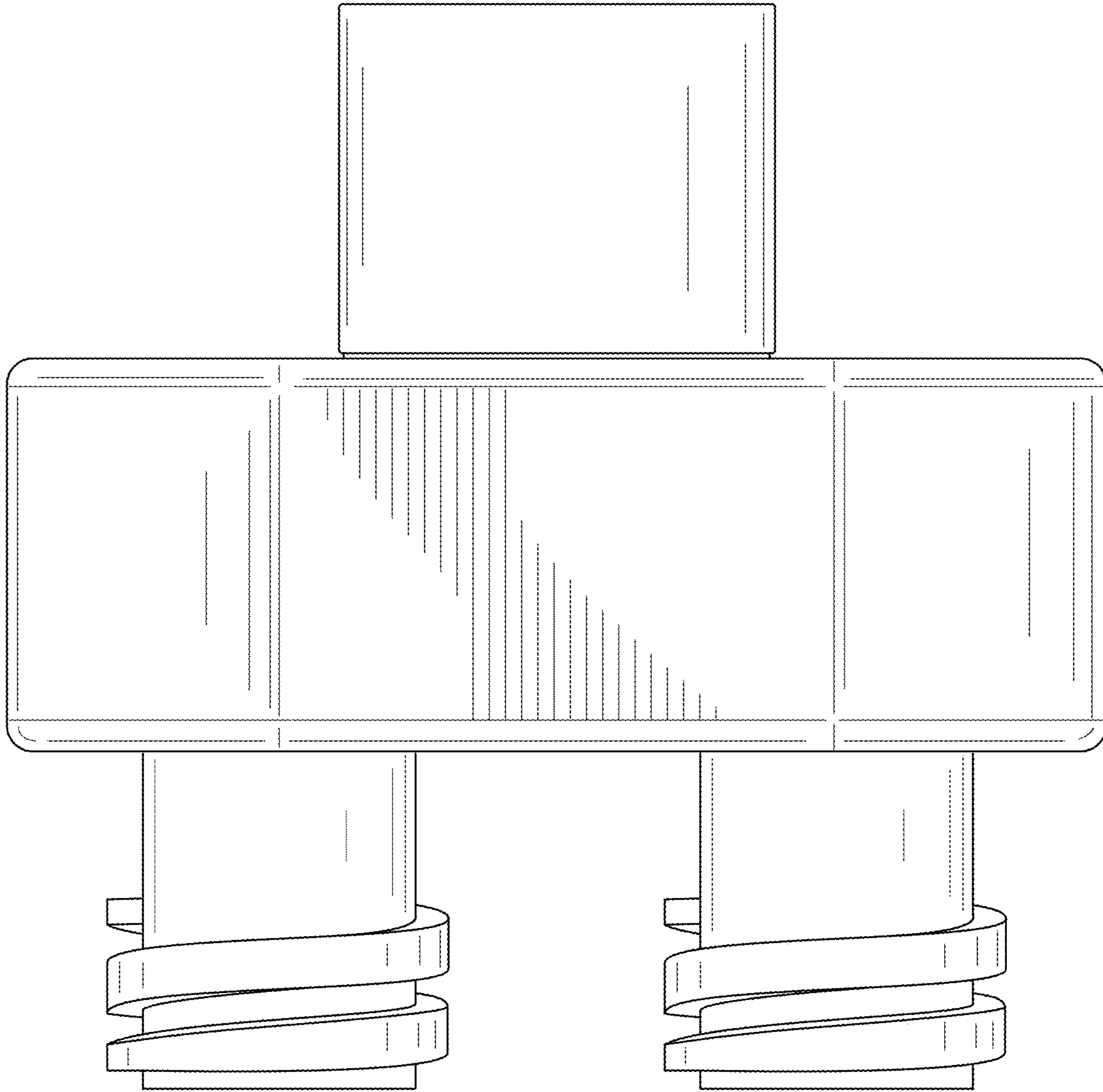


FIG. 2

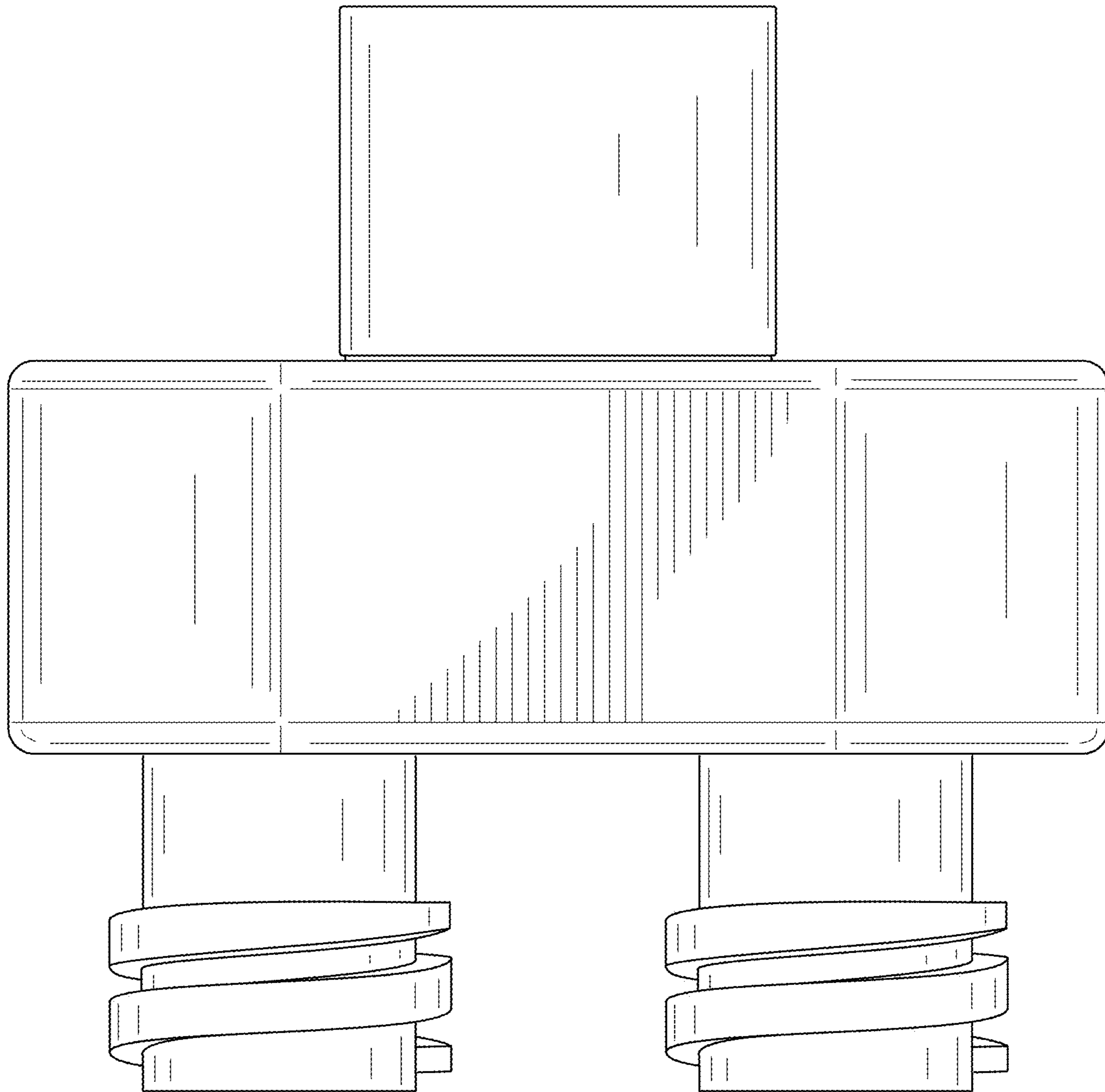


FIG. 3

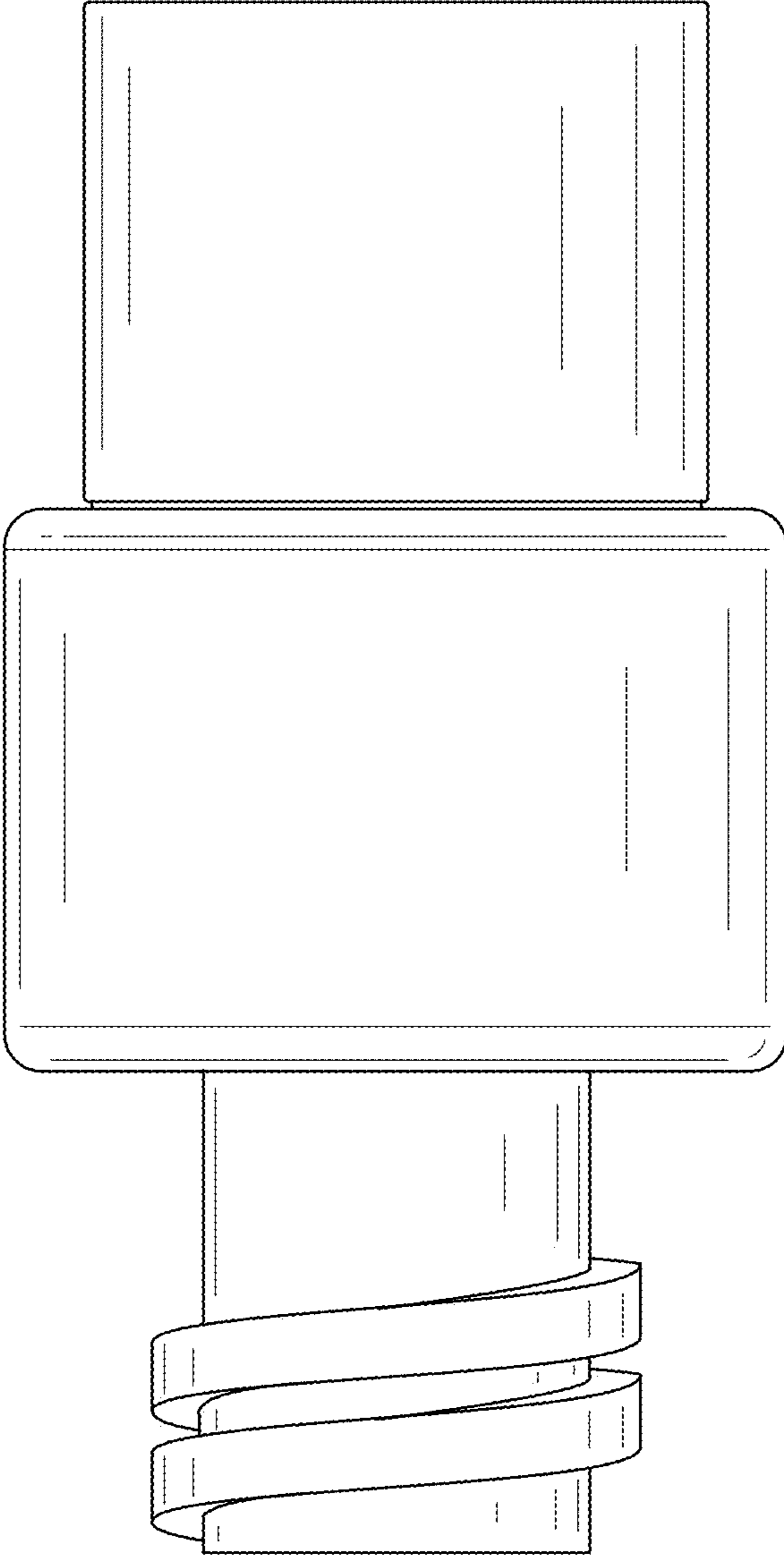


FIG. 4

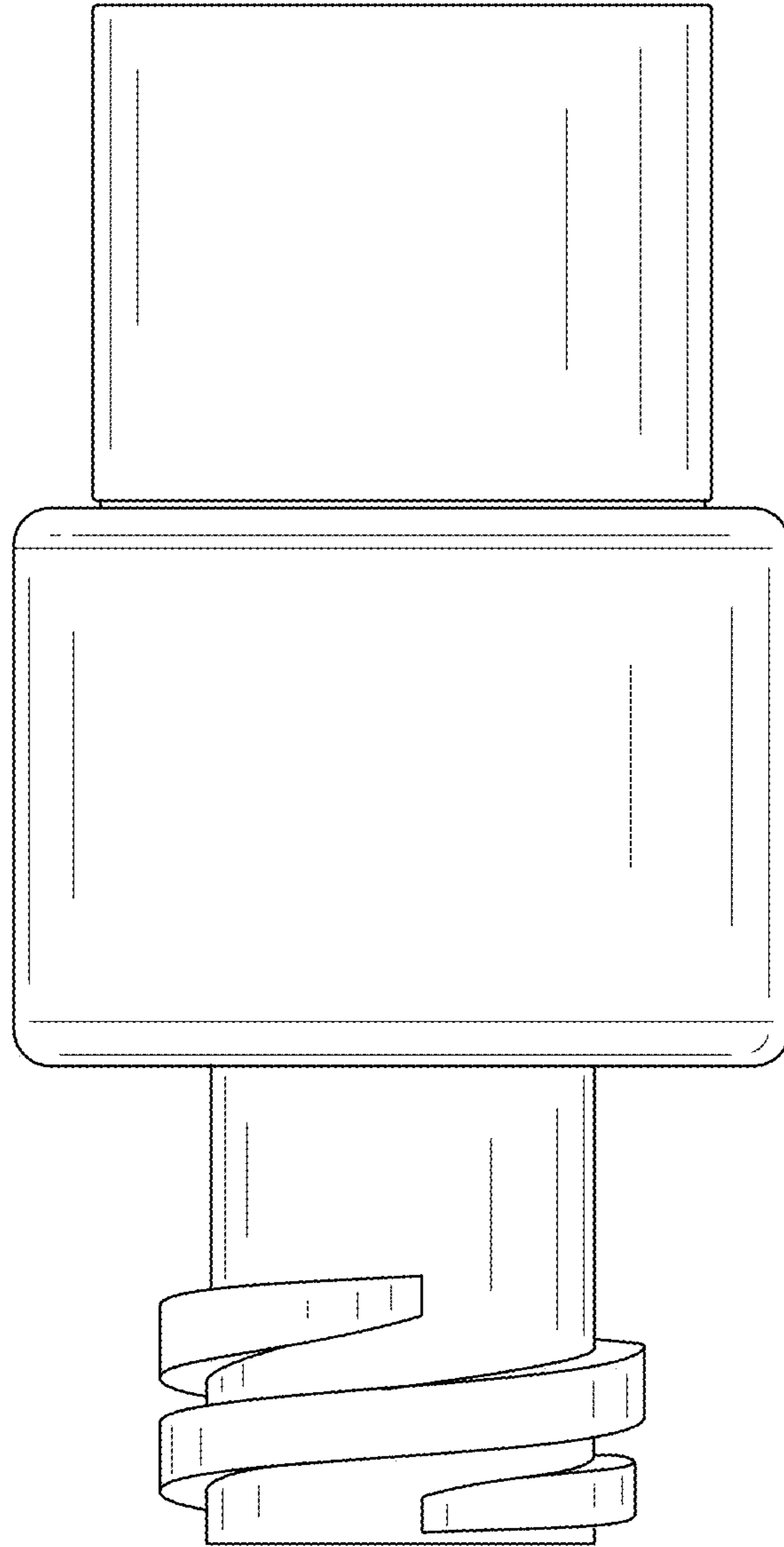


FIG. 5

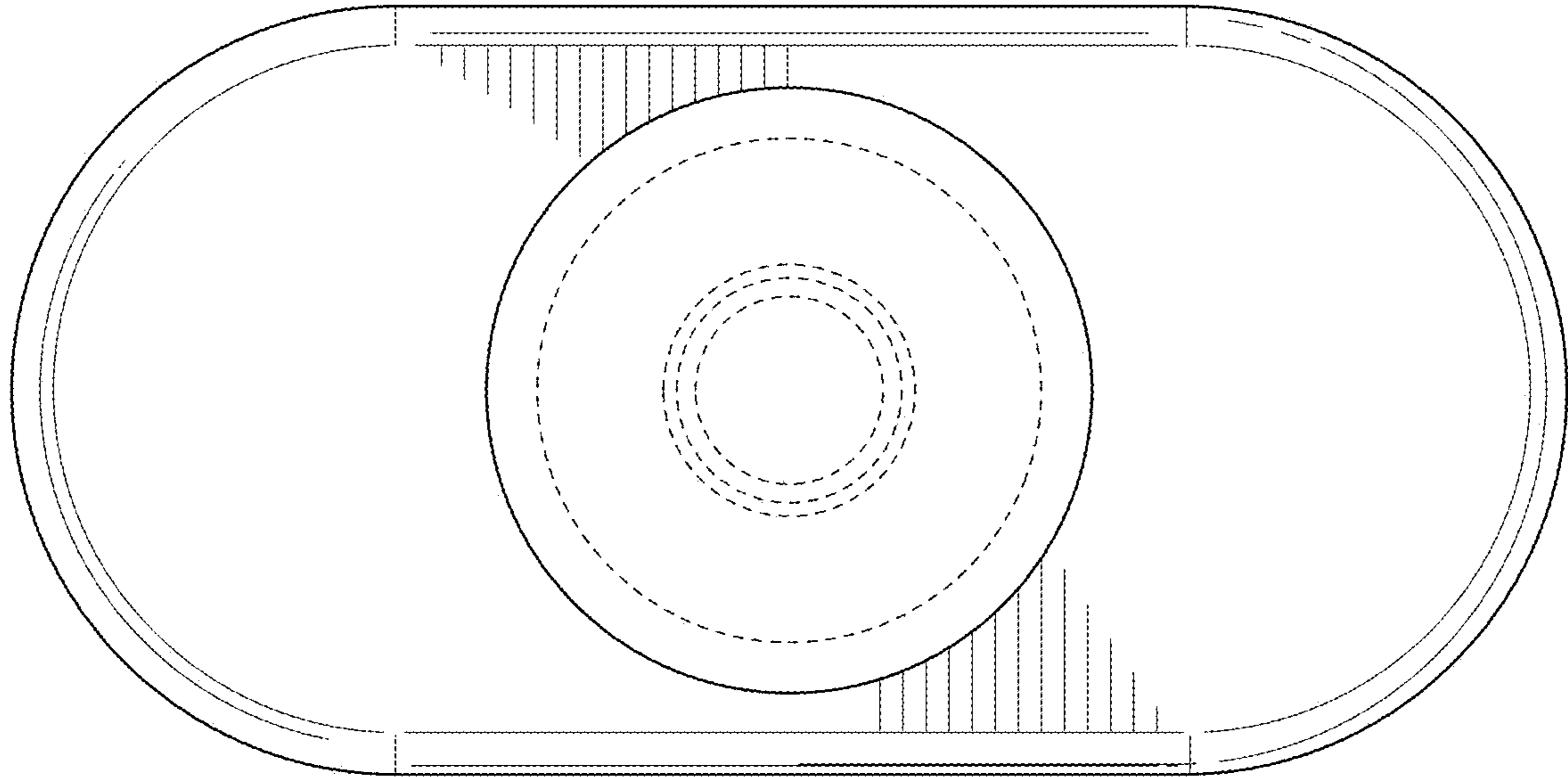


FIG. 6

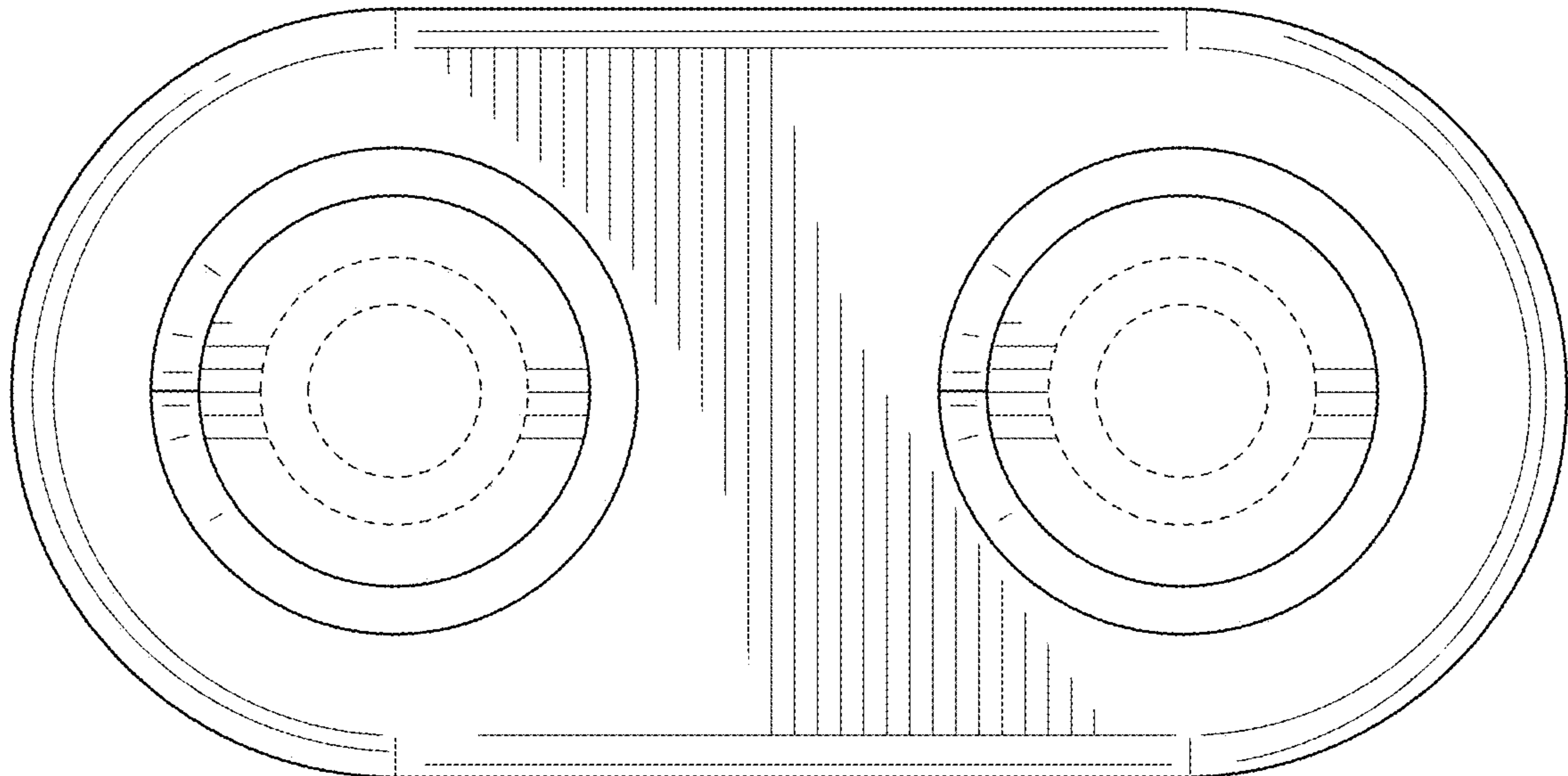


FIG. 7

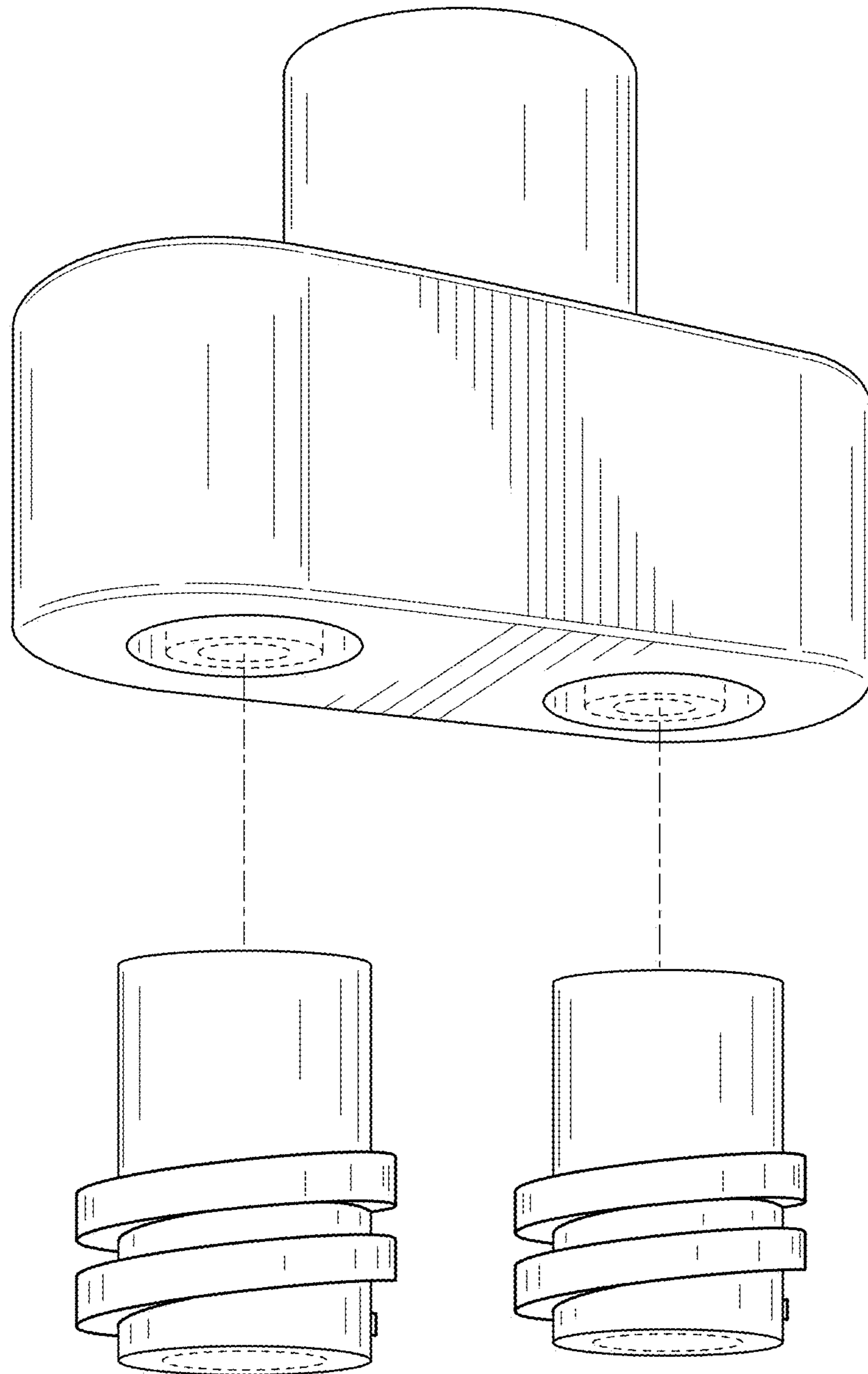


FIG. 8

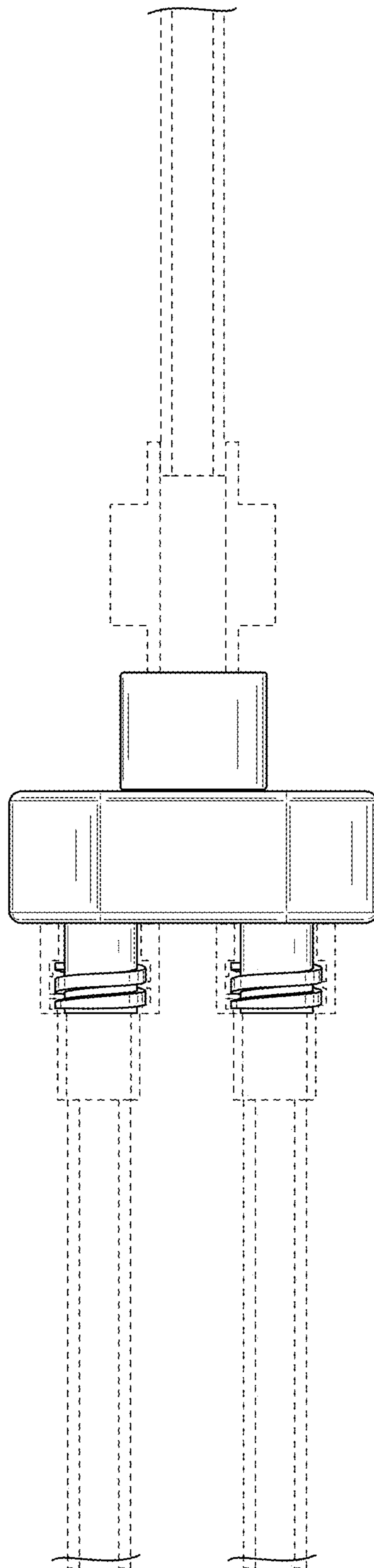


FIG. 9