



US00D963161S

(12) **United States Design Patent**
Chiga et al.

(10) **Patent No.:** **US D963,161 S**

(45) **Date of Patent:** **** Sep. 6, 2022**

(54) **FLUID CONNECTOR**

(71) Applicant: **KPR U.S., LLC**, Mansfield, MA (US)

(72) Inventors: **Bradley Chiga**, Brookline, MA (US);
Vinit Patel, Milford, MA (US); **Phillip Shaltis**, Sharon, MA (US)

(73) Assignee: **KPR U.S., LLC**, Mansfield, MA (US)

(**) Term: **15 Years**

(21) Appl. No.: **29/735,675**

(22) Filed: **May 22, 2020**

(51) **LOC (13) Cl.** **24-02**

(52) **U.S. Cl.**
USPC **D24/129**

(58) **Field of Classification Search**
USPC D24/112, 114, 129, 130, 224; D3/315;
D23/259, 260, 262, 265; D27/162, 167,
D27/194; 128/DIG. 10, 202.27, 205.24;
285/21.2
CPC F16L 2201/10; A61M 39/1011; A61M
39/10; A61M 2039/1077; A61J 1/1487;
A61F 5/4405
See application file for complete search history.

(56) **References Cited**

U.S. PATENT DOCUMENTS

- 3,944,261 A * 3/1976 Reed B29C 66/5224
285/21.2
- D298,352 S * 11/1988 Raines D24/130
- 5,219,185 A * 6/1993 Oddenino F16L 37/088
285/187
- D339,869 S * 9/1993 Schea, III D24/224
- D363,988 S * 11/1995 Dye D23/260
- D369,664 S * 5/1996 Dye D23/260
- D373,191 S * 8/1996 Ribando D24/129
- D373,192 S * 8/1996 Murphy D13/147
- D527,903 S * 9/2006 Chan D3/315

- D595,845 S * 7/2009 Mros D24/129
- D601,248 S * 9/2009 Mros D24/129
- D602,740 S * 10/2009 Urquiola D7/509
- D616,543 S * 5/2010 Bak-Boyчук D24/129
- D631,543 S * 1/2011 Bak-Boyчук D24/129
- 8,092,409 B2 * 1/2012 Mros F16L 39/02
601/151
- D698,440 S * 1/2014 Lombardi, III D24/129
- D699,187 S * 2/2014 Suzuki D13/146
- D849,996 S * 5/2019 Duque D27/194
- D851,222 S * 6/2019 Naber A61M 5/3134
D23/259
- D865,993 S * 11/2019 Trump D24/224

(Continued)

FOREIGN PATENT DOCUMENTS

- GB 6177539 * 11/2021
- KR 3011417650001 * 12/2021

(Continued)

Primary Examiner — Michelle E. Wilson
Assistant Examiner — Amanda J Berlinski
(74) *Attorney, Agent, or Firm* — ArentFox Schiff LLP

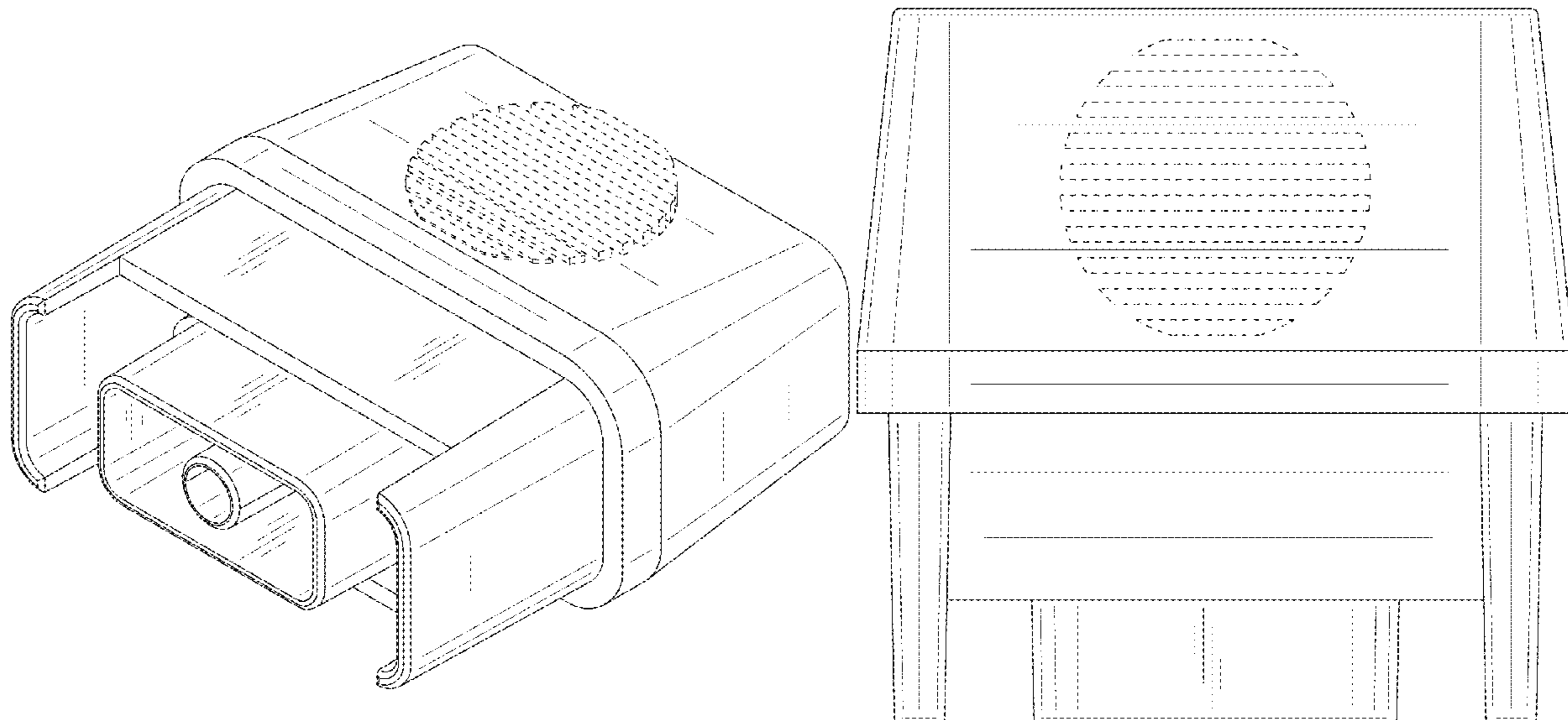
(57) **CLAIM**

The ornamental design for a fluid connector, as shown and described.

DESCRIPTION

FIG. 1 is a front right perspective view of a fluid connector showing our new design;
FIG. 2 is a front view of the design shown in FIG. 1;
FIG. 3 is a rear view of the design shown in FIG. 1;
FIG. 4 is a left side view of the design shown in FIG. 1;
FIG. 5 is a right side view of the design shown in FIG. 1;
FIG. 6 is a top view of the design shown in FIG. 1; and,
FIG. 7 is a bottom view of the design shown in FIG. 1.
The broken lines shown in the figures are included for the purpose of illustrating portions of the fluid connector that form no part of the claimed design.

1 Claim, 7 Drawing Sheets



(56)

References Cited

U.S. PATENT DOCUMENTS

D868,367 S * 11/2019 Franzone D27/167
D880,054 S * 3/2020 Barbaric A61M 5/3134
D27/162
D880,691 S * 4/2020 Wang A61M 5/3134
D24/129
D898,279 S * 10/2020 Pierce D27/162
D901,675 S * 11/2020 Ross A61M 39/105
D24/111
D903,192 S * 11/2020 Chang D27/162
D914,274 S * 3/2021 Vora D27/162
D928,712 S * 8/2021 Cheung F16L 37/088
D13/137.2
D932,614 S * 10/2021 Frondelius F16L 37/088
D24/112
2005/0184264 A1* 8/2005 Tesluk A61M 39/105
251/148
2019/0321554 A1* 10/2019 Guo A61M 5/3134

FOREIGN PATENT DOCUMENTS

KR 3011417650002 * 12/2021
KR 3011417650003 * 12/2021
KR 3011417650004 * 12/2021
KR 3011417660001 * 12/2021

* cited by examiner

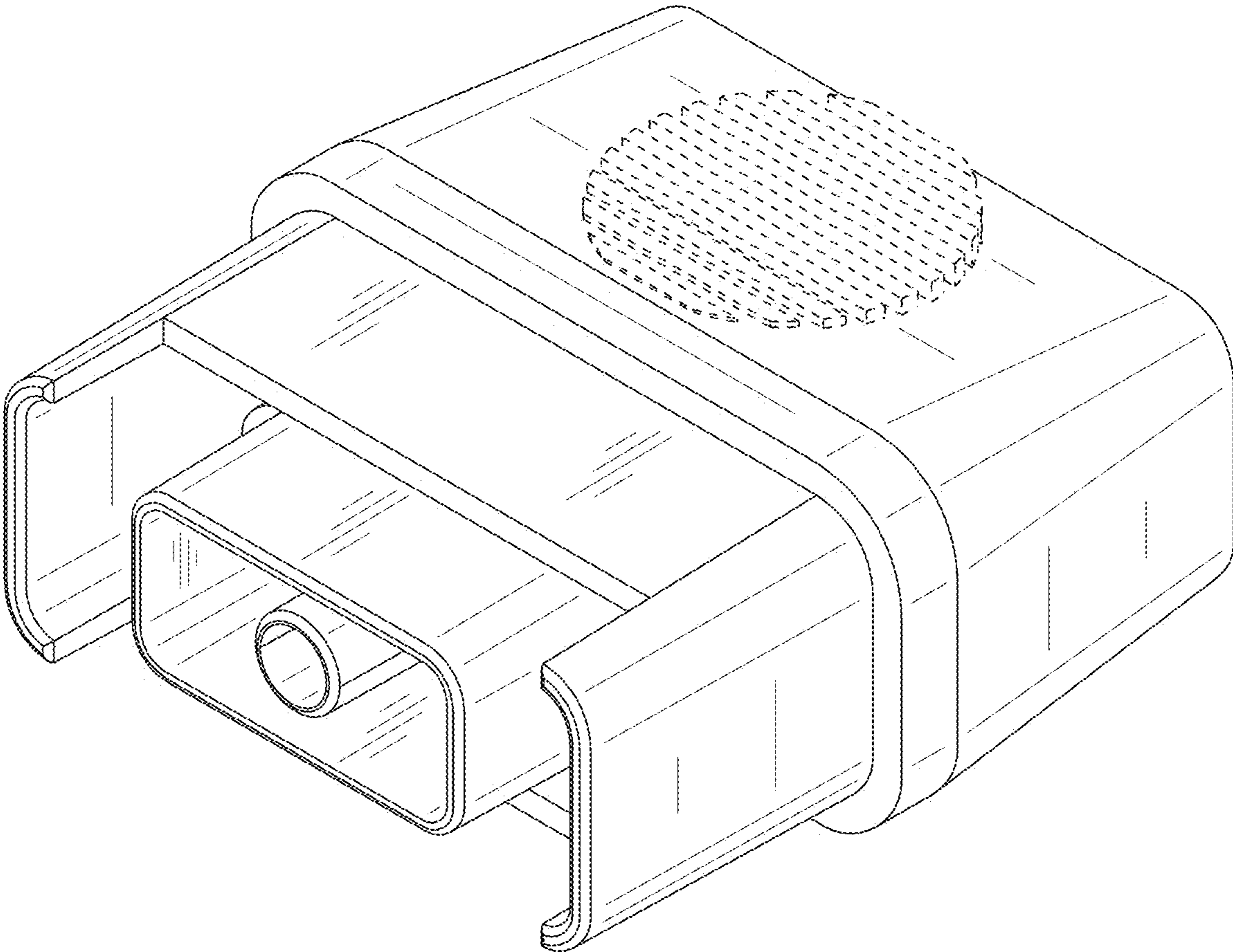


FIG. 1

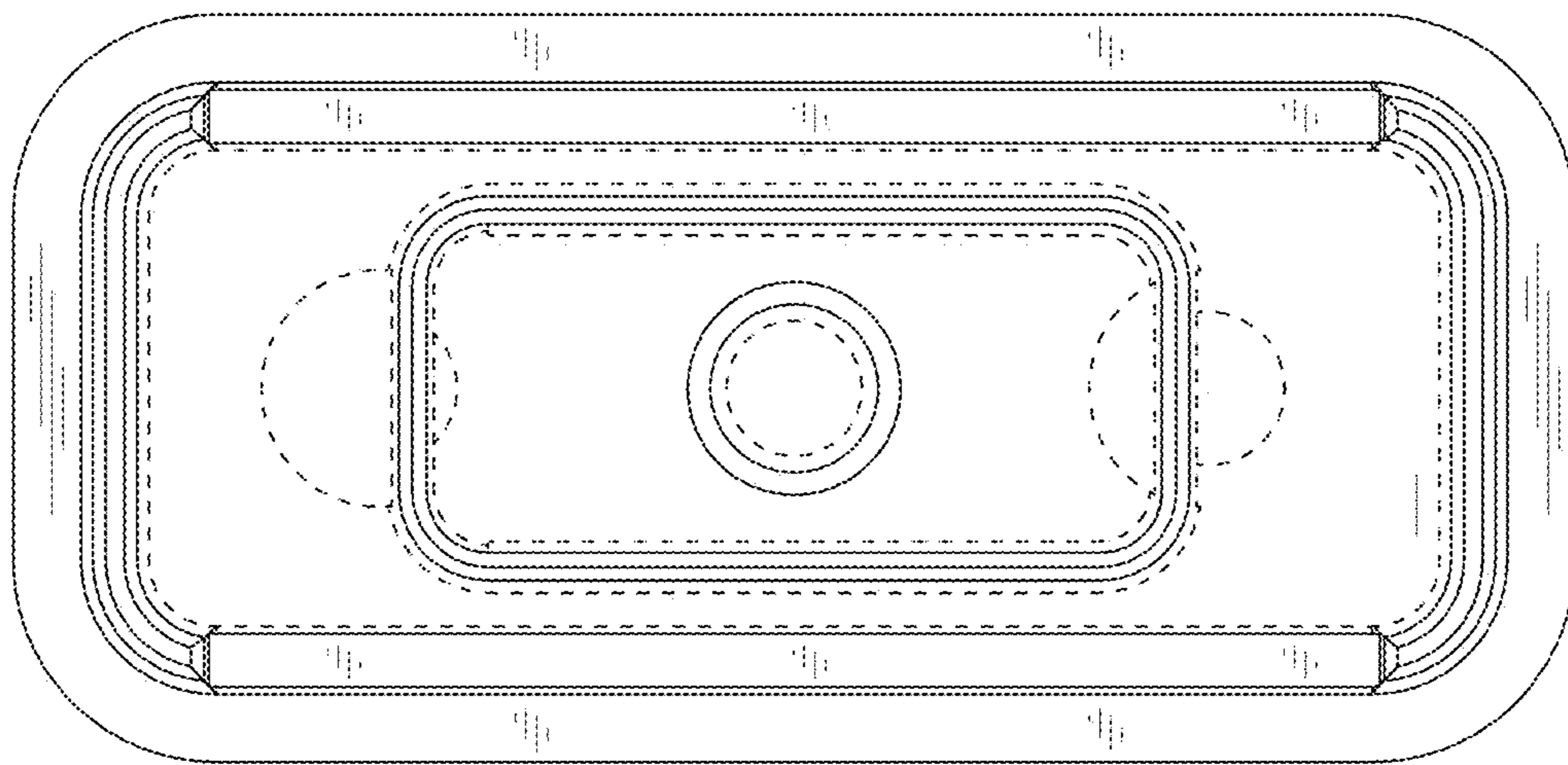


FIG. 2

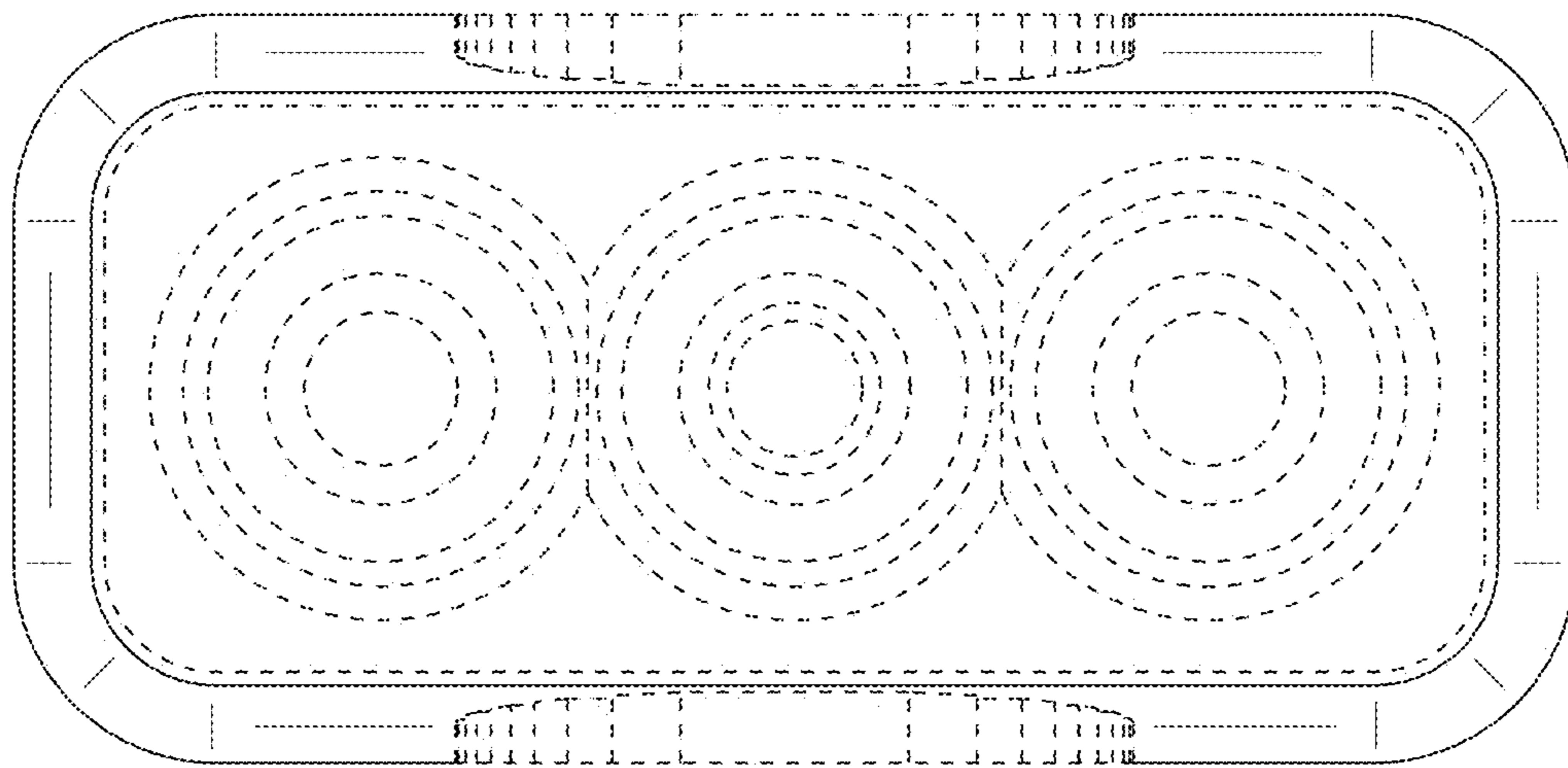


FIG. 3

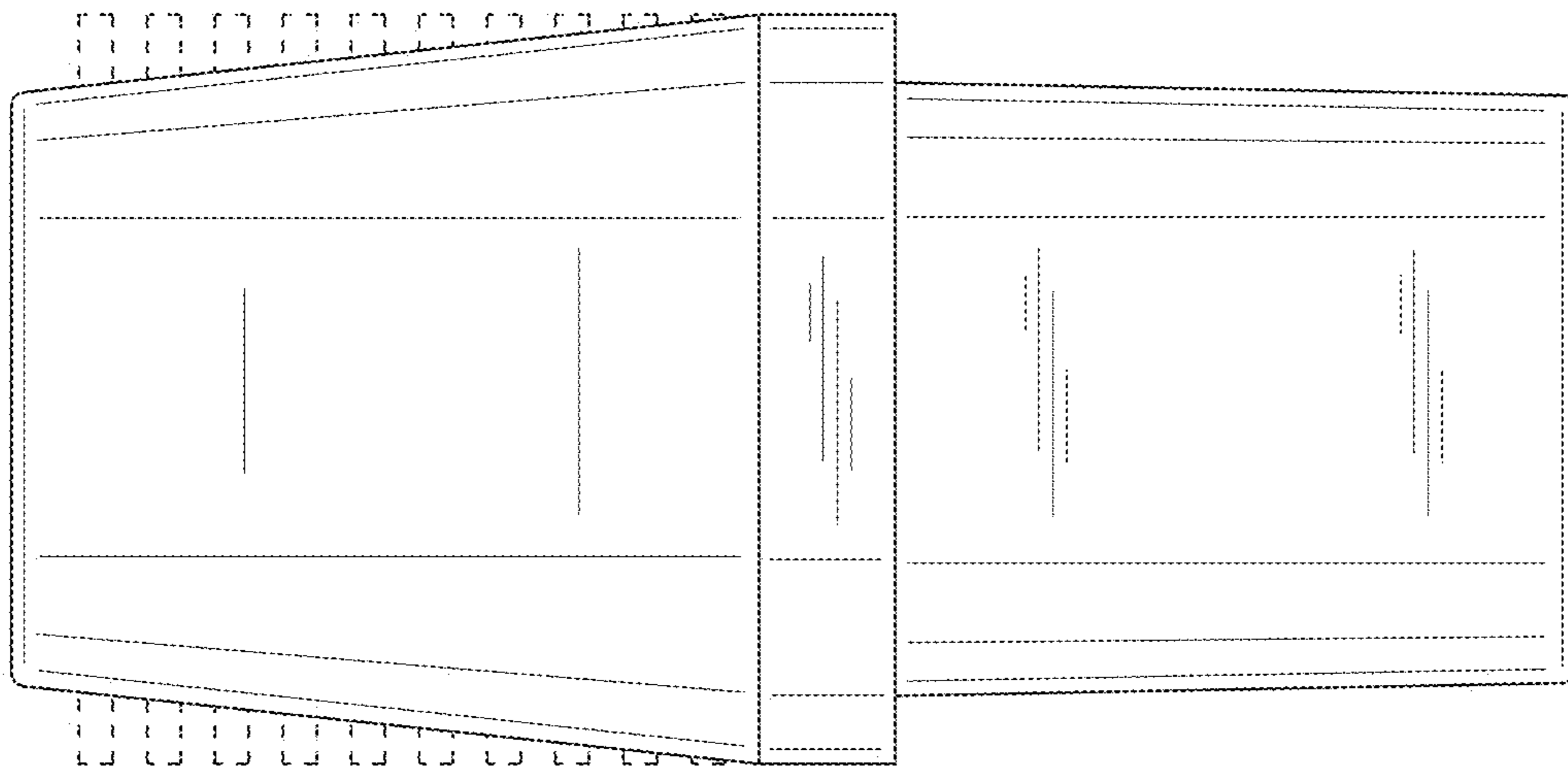


FIG. 4

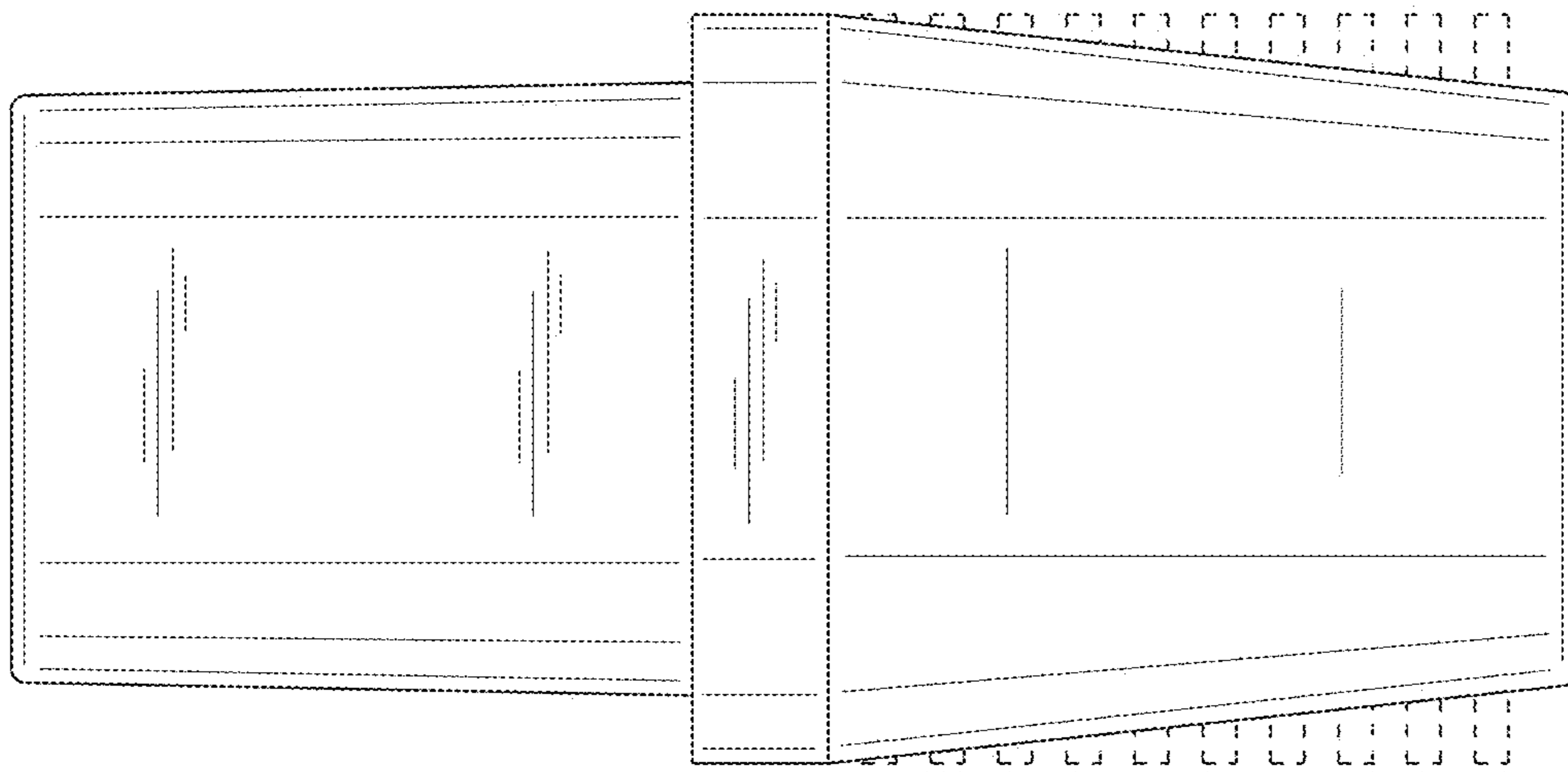


FIG. 5

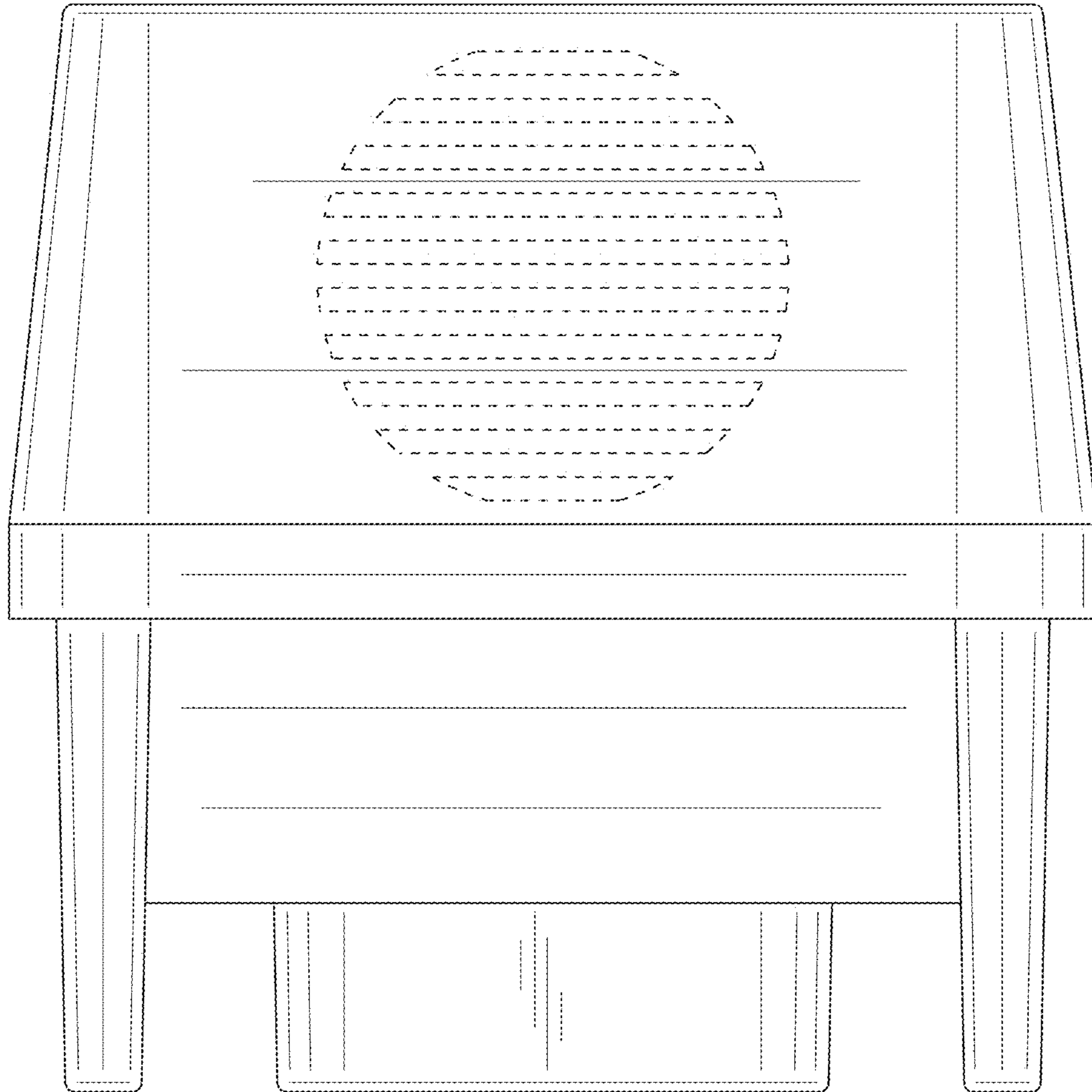


FIG. 6

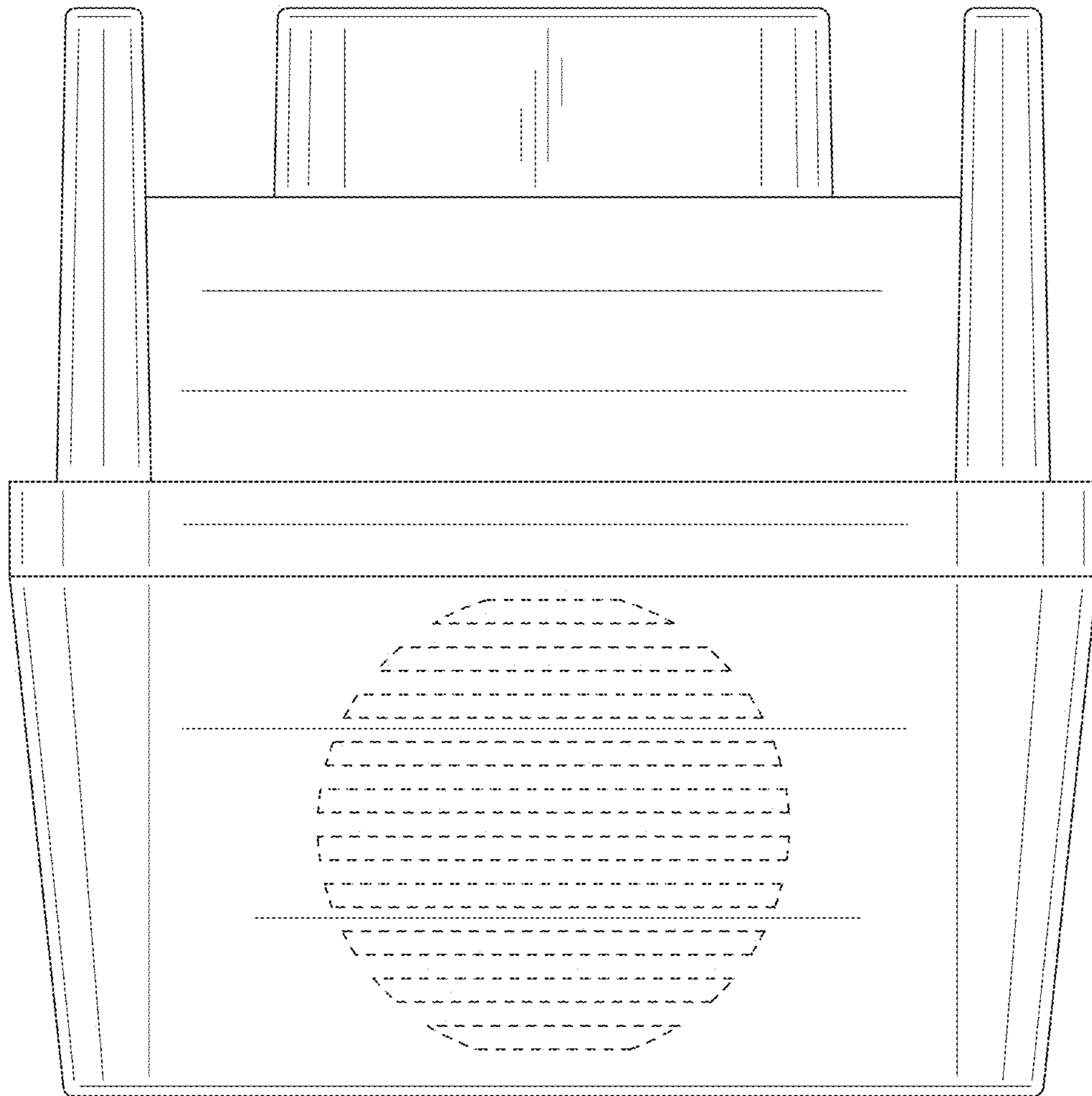


FIG. 7