



US00D963158S

(12) **United States Design Patent** (10) **Patent No.:** **US D963,158 S**
Gibson et al. (45) **Date of Patent:** **** Sep. 6, 2022**

(54) **INFUSION PUMP**

- (71) Applicant: **AMGEN INC.**, Thousand Oaks, CA (US)
- (72) Inventors: **Scott R. Gibson**, Granada Hills, CA (US); **Mehran Mojarrad**, Thousand Oaks, CA (US); **Paul Daniel Faucher**, San Marcos, CA (US)
- (73) Assignee: **AMGEN INC.**, Thousand Oaks, CA (US)

(**) Term: **15 Years**

(21) Appl. No.: **29/710,577**

(22) Filed: **Oct. 24, 2019**

(51) **LOC (13) Cl.** **24-02**

(52) **U.S. Cl.**
USPC **D24/111**

(58) **Field of Classification Search**
USPC D24/108, 110–115, 117, 121, 127, 162, D24/164, 185; D9/724, 529
CPC . A61B 5/14532; A61B 5/4818; A61B 5/4806; A61B 5/4815; A61M 5/142; A61M 5/1413; A61M 5/1428; A61M 5/14244; A61M 5/172; A61M 5/1723; A61M 2205/52; A61M 2205/50; A61M 2205/3569; A61M 2205/3584; A61M 2205/505; A61M 2205/502; A61M 2005/14208; A61M 2005/14268
See application file for complete search history.

(56) **References Cited**

U.S. PATENT DOCUMENTS

D687,541 S *	8/2013	Estes	D24/111
D689,523 S *	9/2013	Galbraith	D15/7
D691,258 S *	10/2013	Estes	D24/111
D691,259 S *	10/2013	Estes	D24/111
D752,736 S *	3/2016	Chandrasenan	D24/111
D797,275 S *	9/2017	Evans	D24/108

(Continued)

Primary Examiner — Sheryl Lane
Assistant Examiner — Aula Soroush
(74) *Attorney, Agent, or Firm* — Marshall, Gerstein & Borun LLP

(57) **CLAIM**

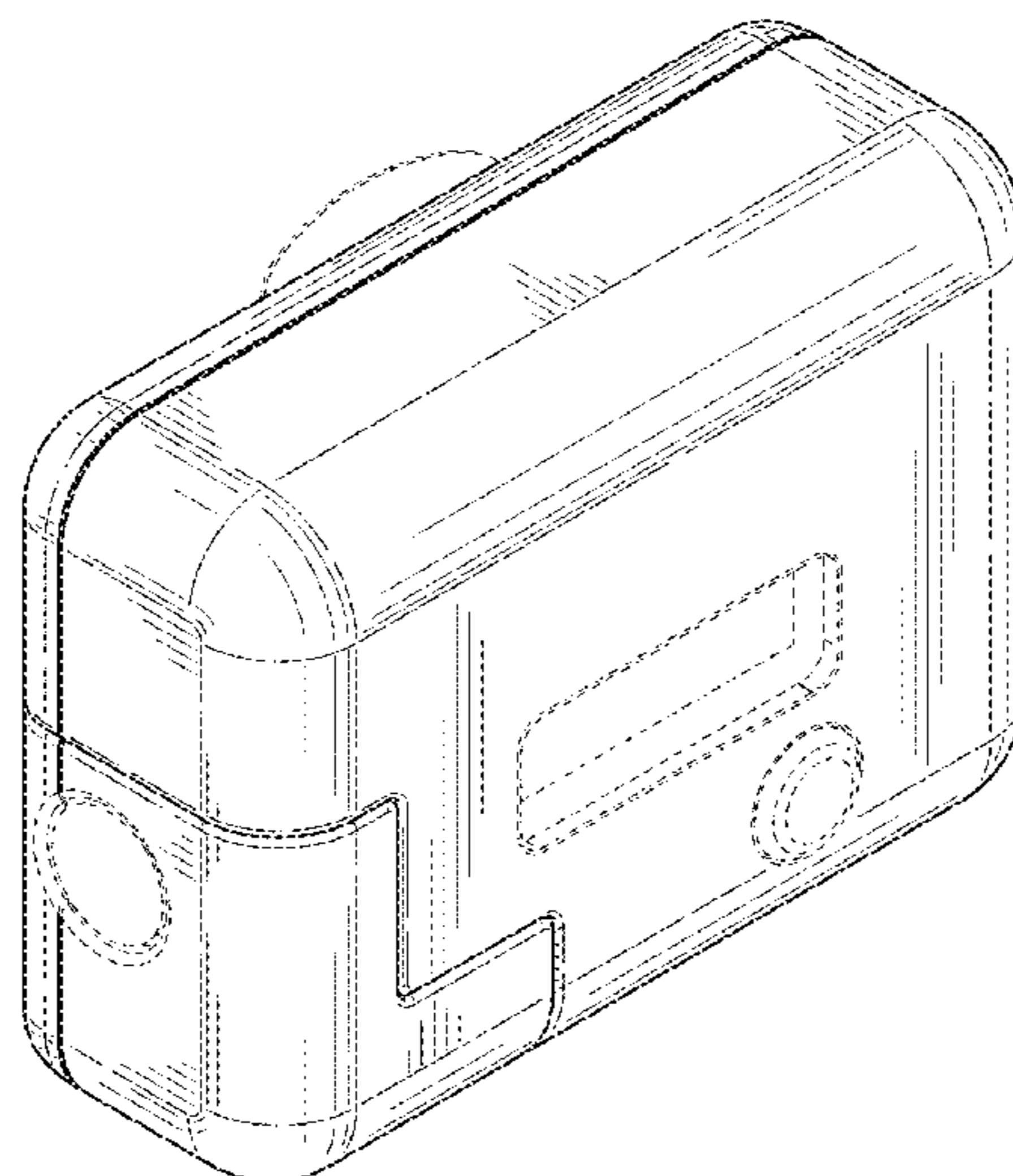
The ornamental design for an infusion pump, as shown and described.

DESCRIPTION

FIG. 1 is a perspective view showing a new design for an infusion pump;
 FIG. 2 is a front view of FIG. 1;
 FIG. 3 is a rear view of FIG. 1;
 FIG. 4 is a right-side view of FIG. 1;
 FIG. 5 is a left-side view of FIG. 1;
 FIG. 6 is a top view of FIG. 1;
 FIG. 7 is a bottom view of FIG. 1;
 FIG. 8 is a perspective view of the infusion pump of FIG. 1 with its head removed;
 FIG. 9 is a front view of FIG. 8;
 FIG. 10 is a rear view of FIG. 8;
 FIG. 11 is a right-side view of FIG. 8;
 FIG. 12 is a left-side view of FIG. 8;
 FIG. 13 is a top view of FIG. 8;
 FIG. 14 is a bottom view of FIG. 8;
 FIG. 15 is a perspective view of the infusion pump of FIG. 1 shown in the context of being connected to infusion lines;
 FIG. 16 is a front view of FIG. 15;
 FIG. 17 is a rear view of FIG. 15;
 FIG. 18 is a right-side view of FIG. 15;
 FIG. 19 is a left-side view of FIG. 15;
 FIG. 20 is a top view of FIG. 15; and,
 FIG. 21 is a bottom view of FIG. 15.

The broken line areas of the infusion pump are included for the purpose of illustrating environment and form no part of the claimed design.

1 Claim, 13 Drawing Sheets



(56)

References Cited

U.S. PATENT DOCUMENTS

D805,183 S	*	12/2017	Sabin	D24/108
D815,726 S	*	4/2018	Bjelovuk	D24/108
D823,456 S	*	7/2018	Lacy	D24/111
D840,021 S	*	2/2019	Lacy	D24/111
D866,749 S	*	11/2019	Ash	D24/111
D883,472 S	*	5/2020	Hogerwerf	D24/111
D916,275 S	*	4/2021	Kolenda	D24/111

* cited by examiner

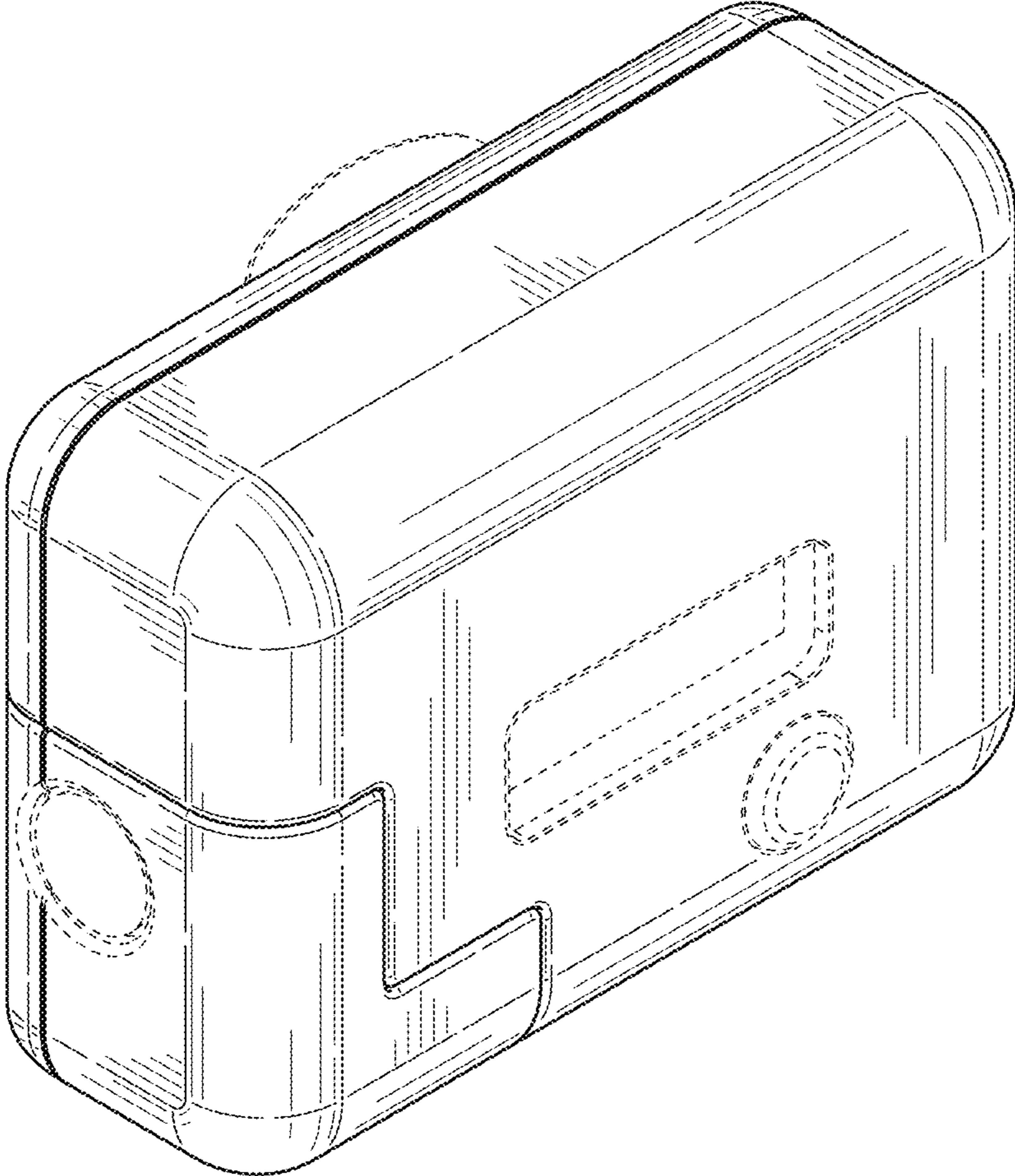


FIG. 1

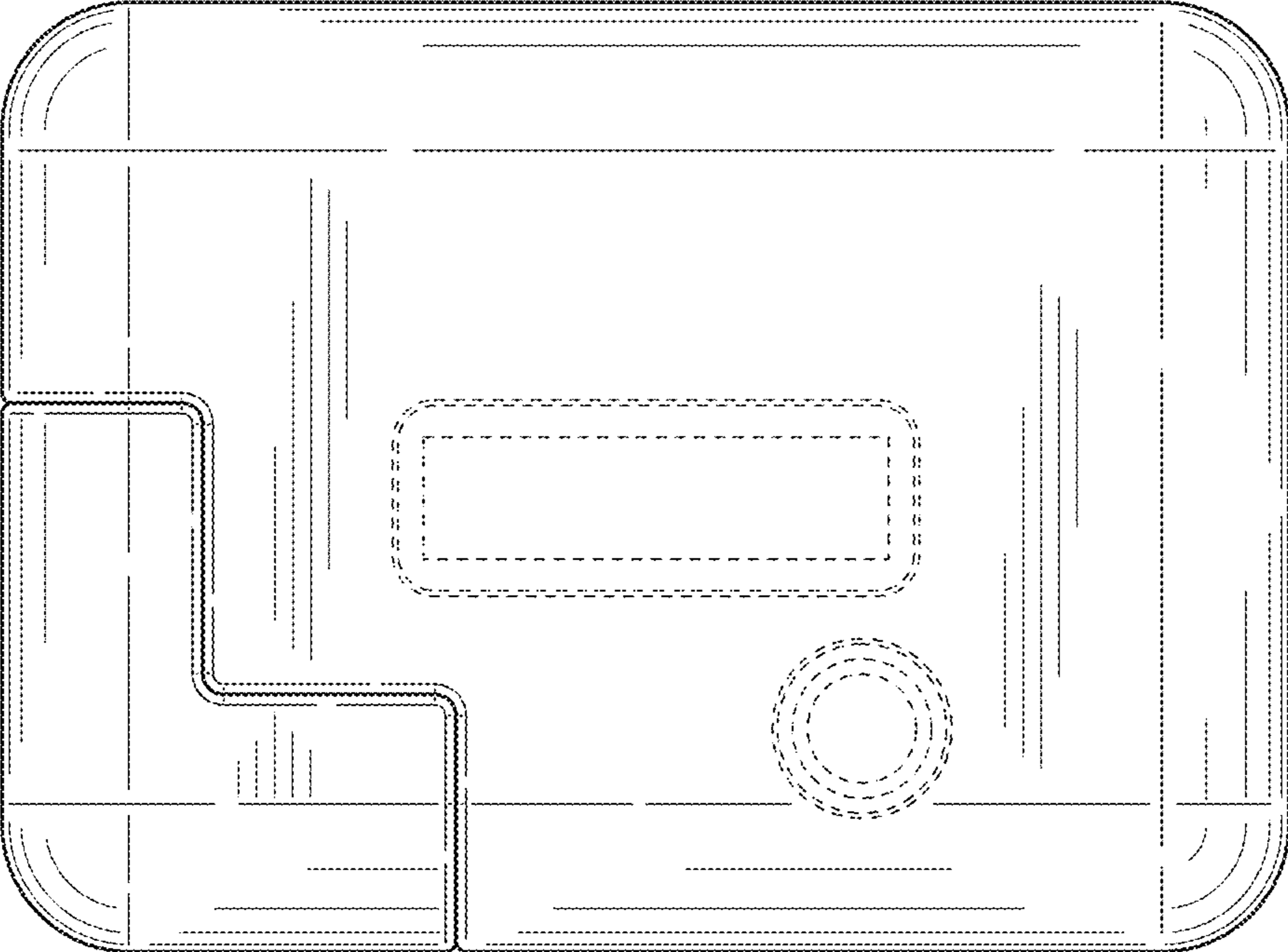


FIG. 2

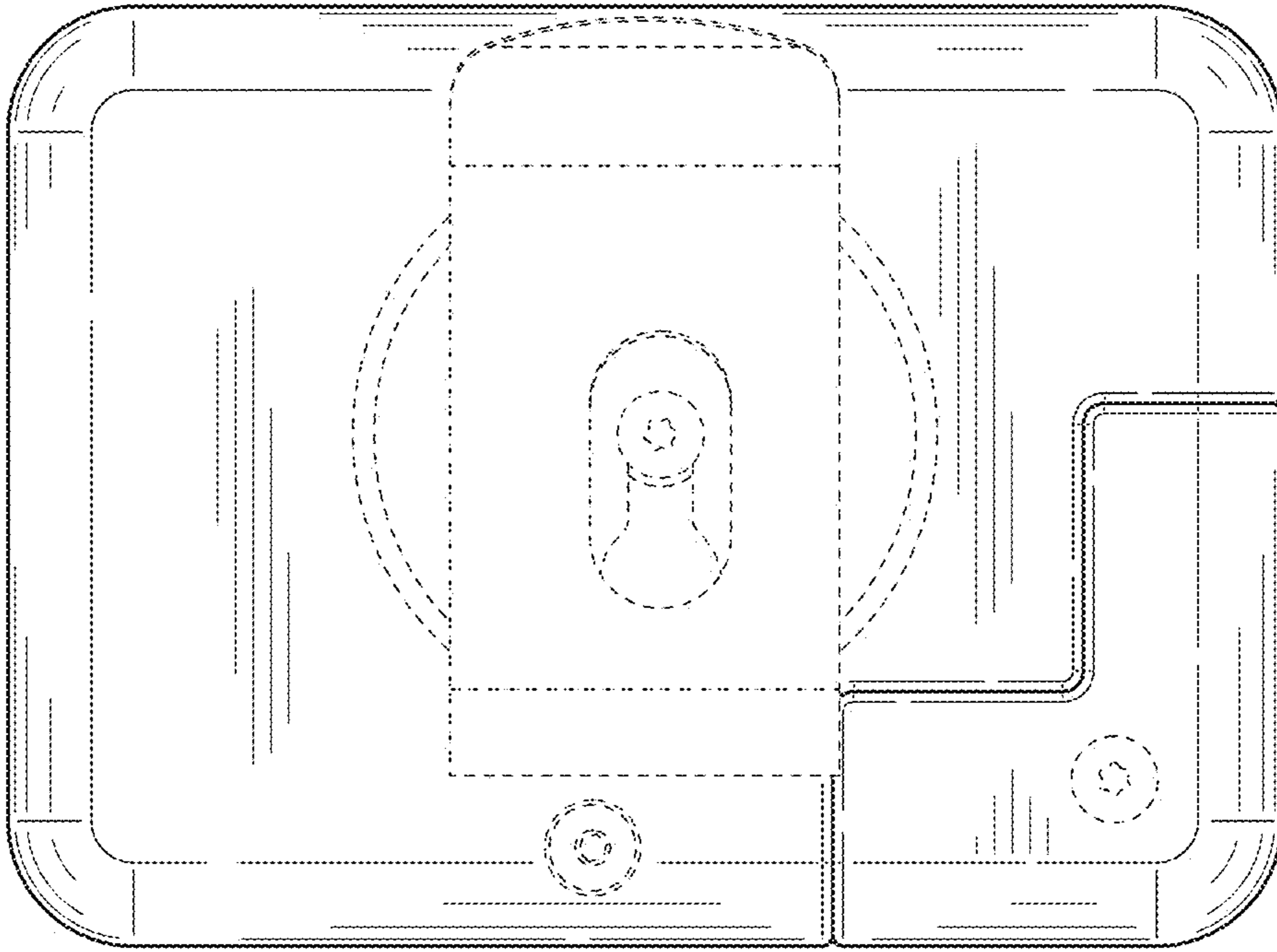


FIG. 3

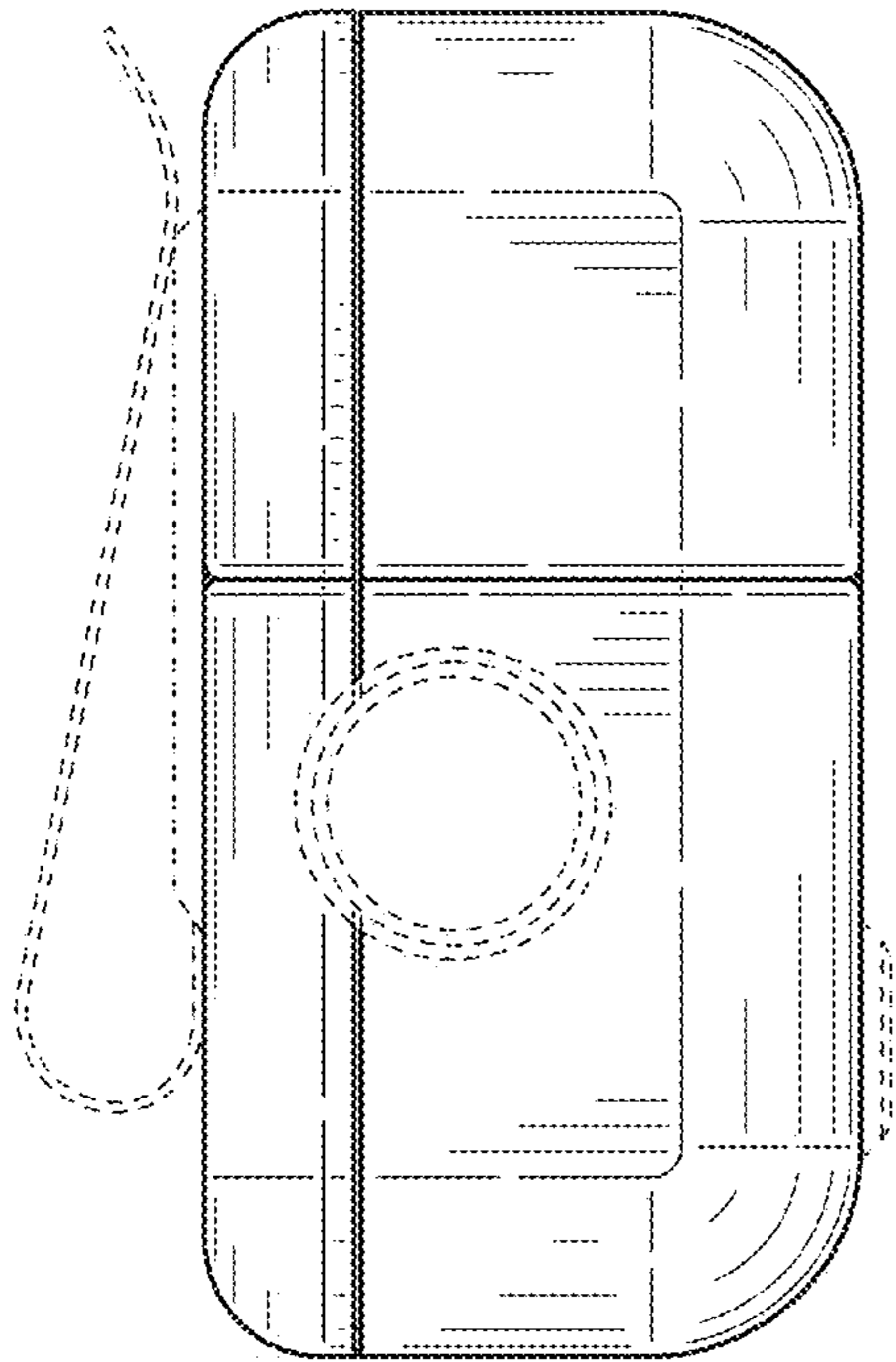


FIG. 4

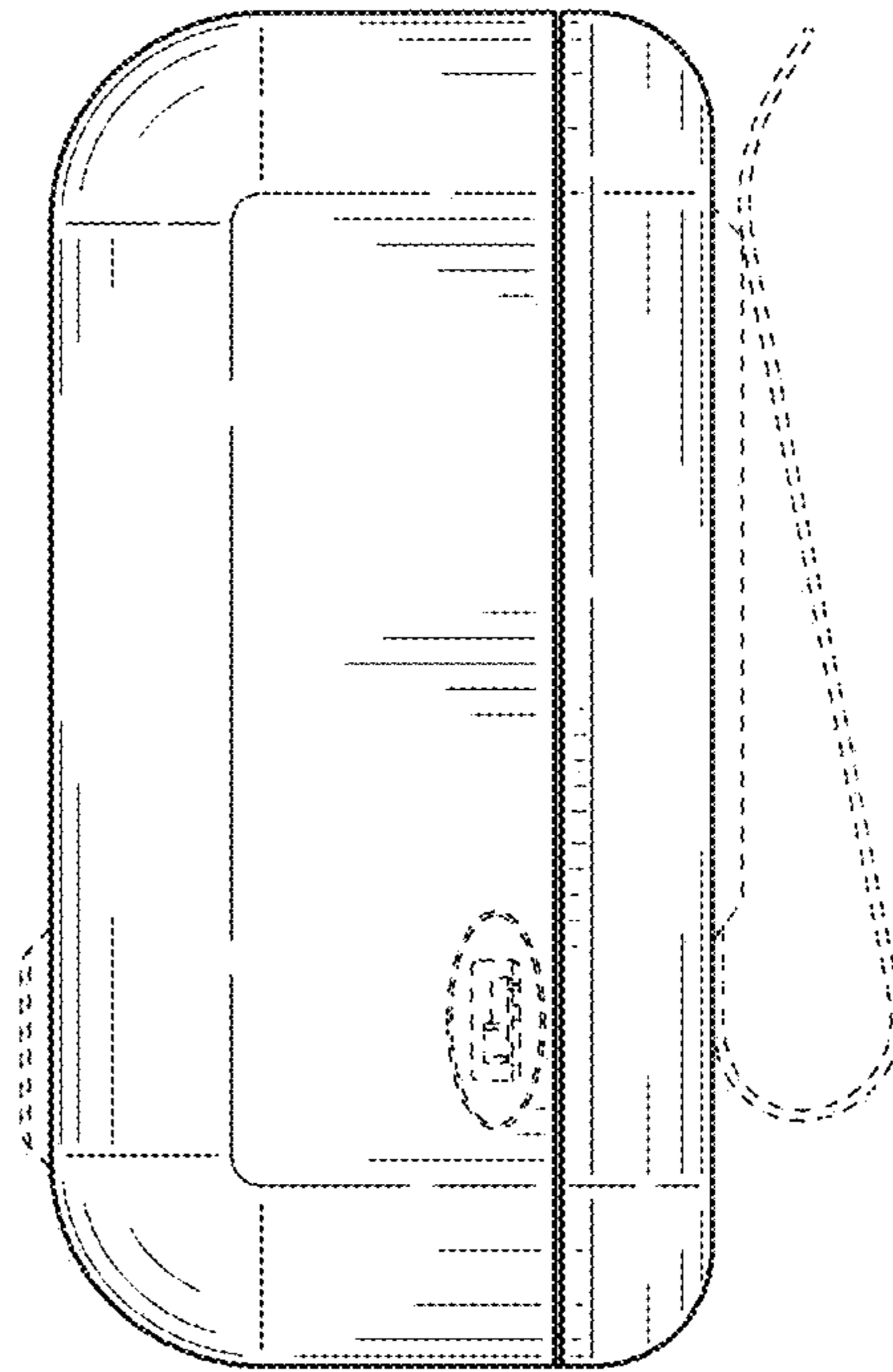


FIG. 5

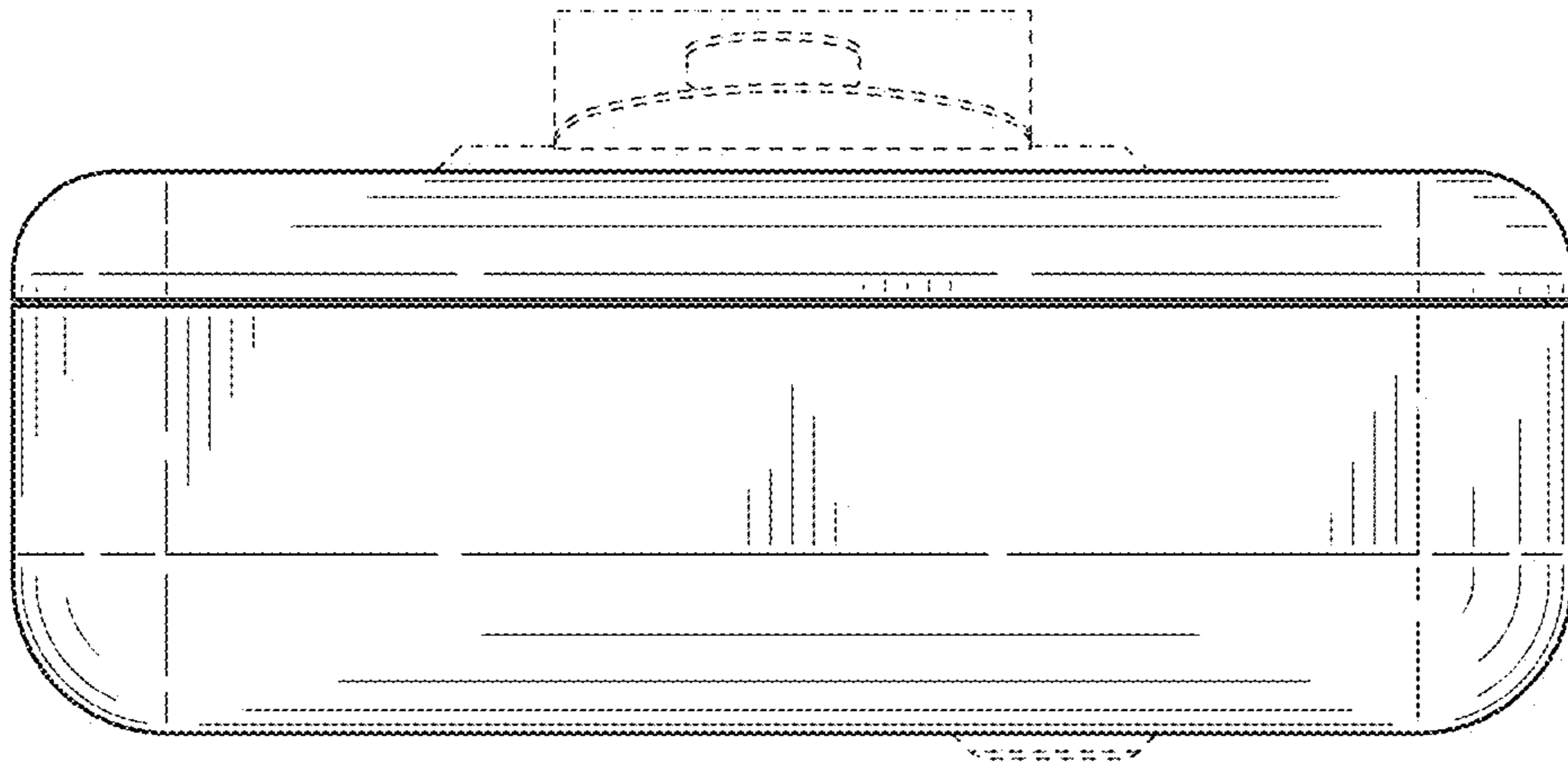


FIG. 6

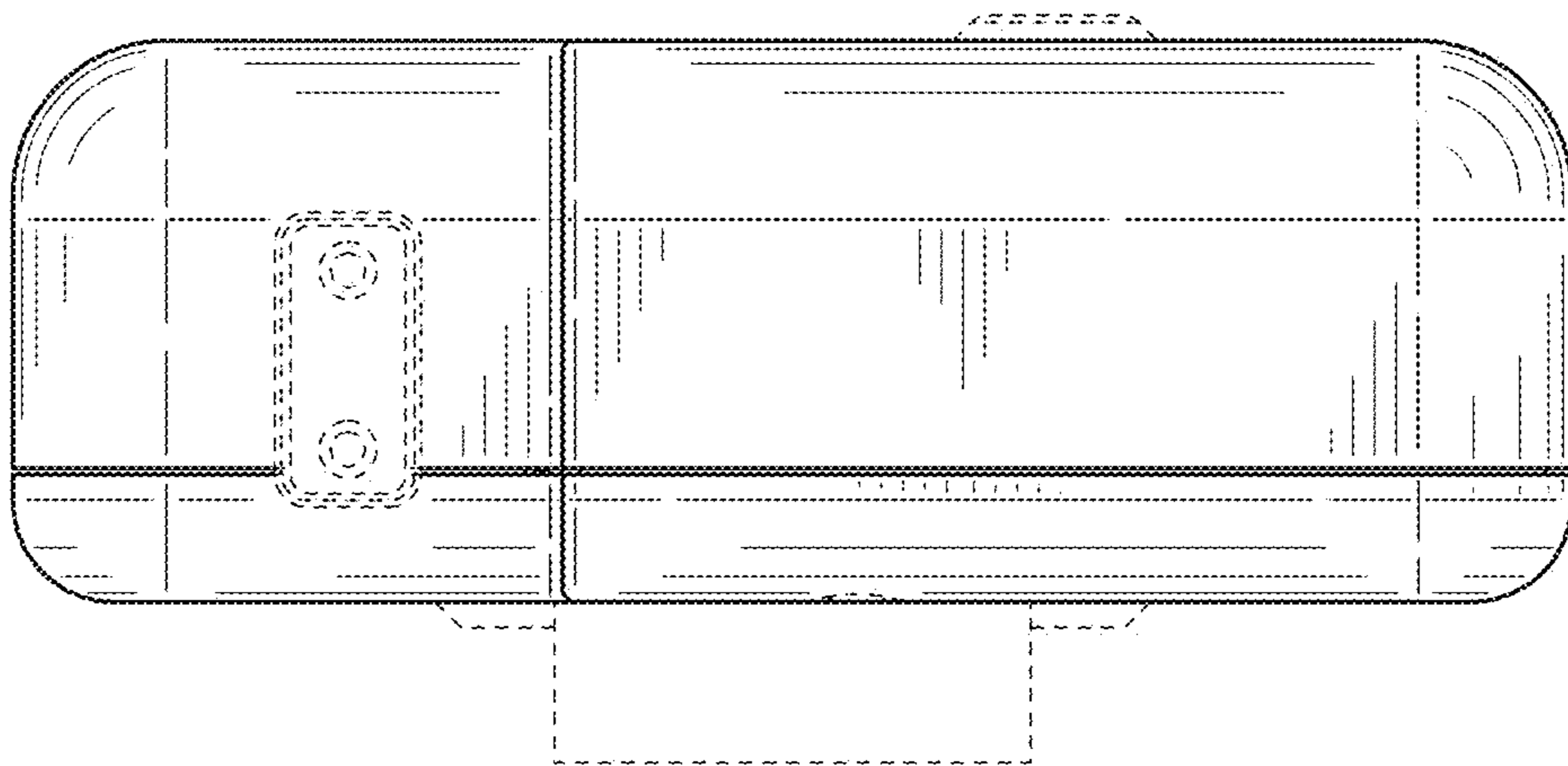


FIG. 7

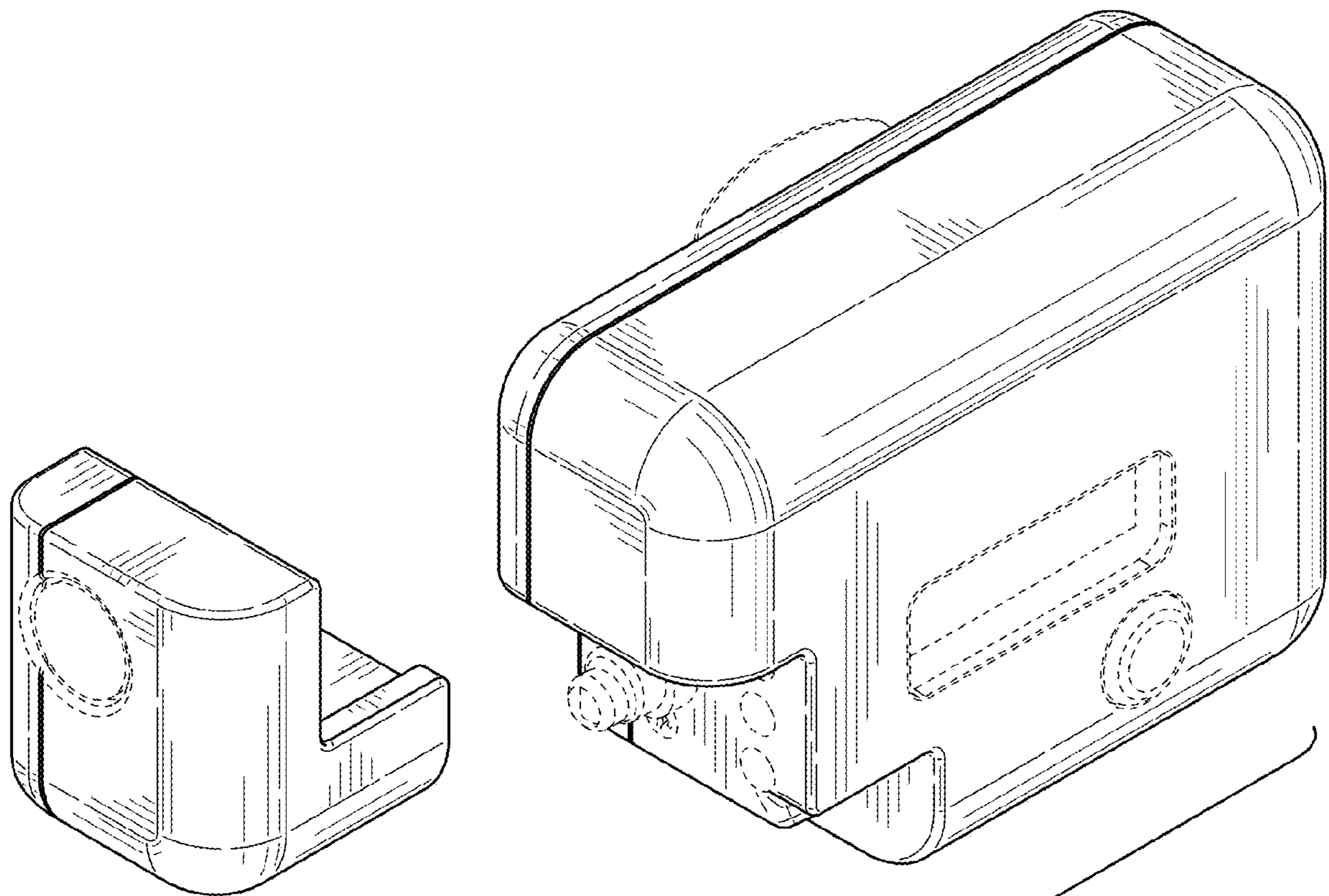


FIG. 8

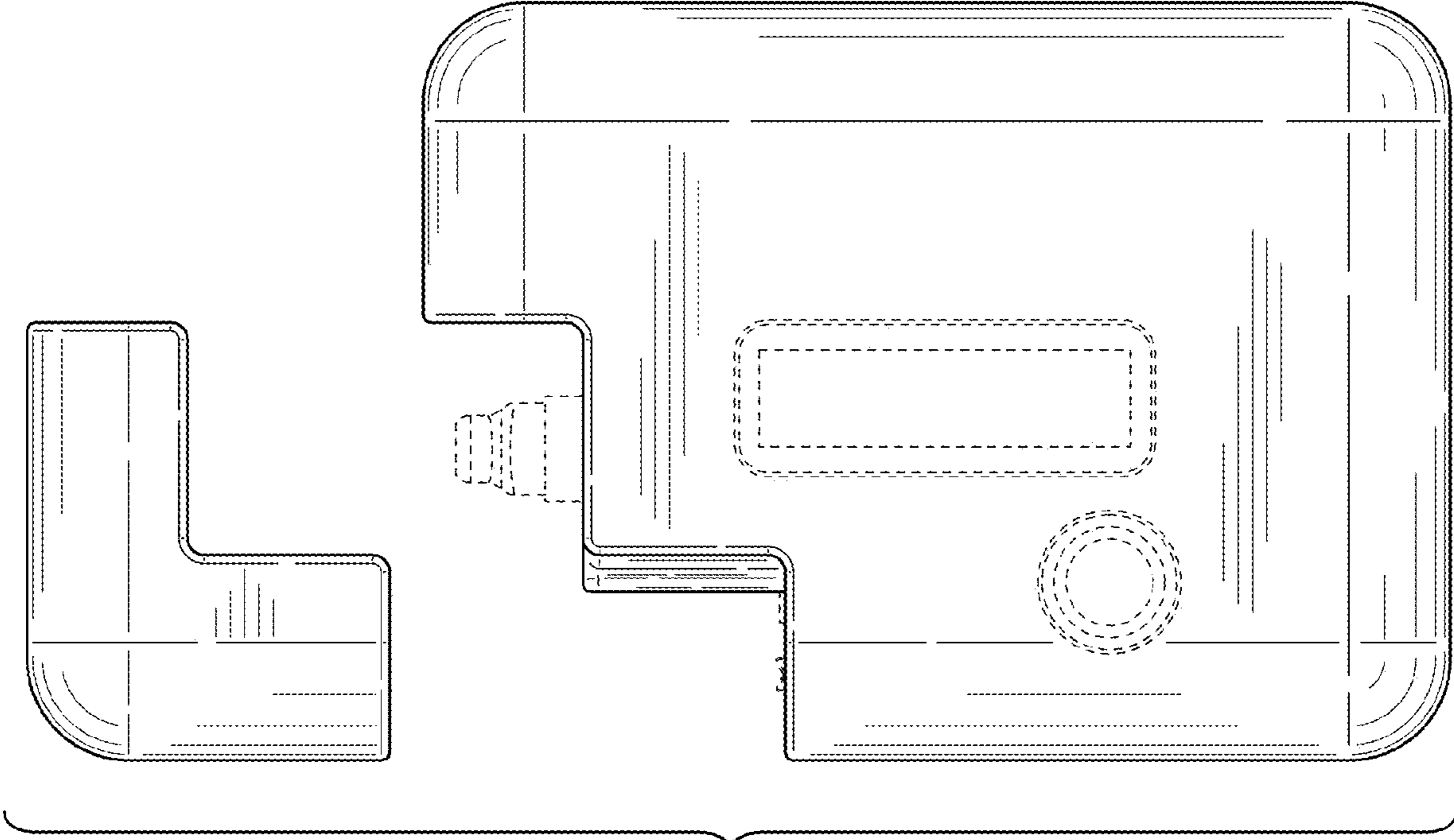


FIG. 9

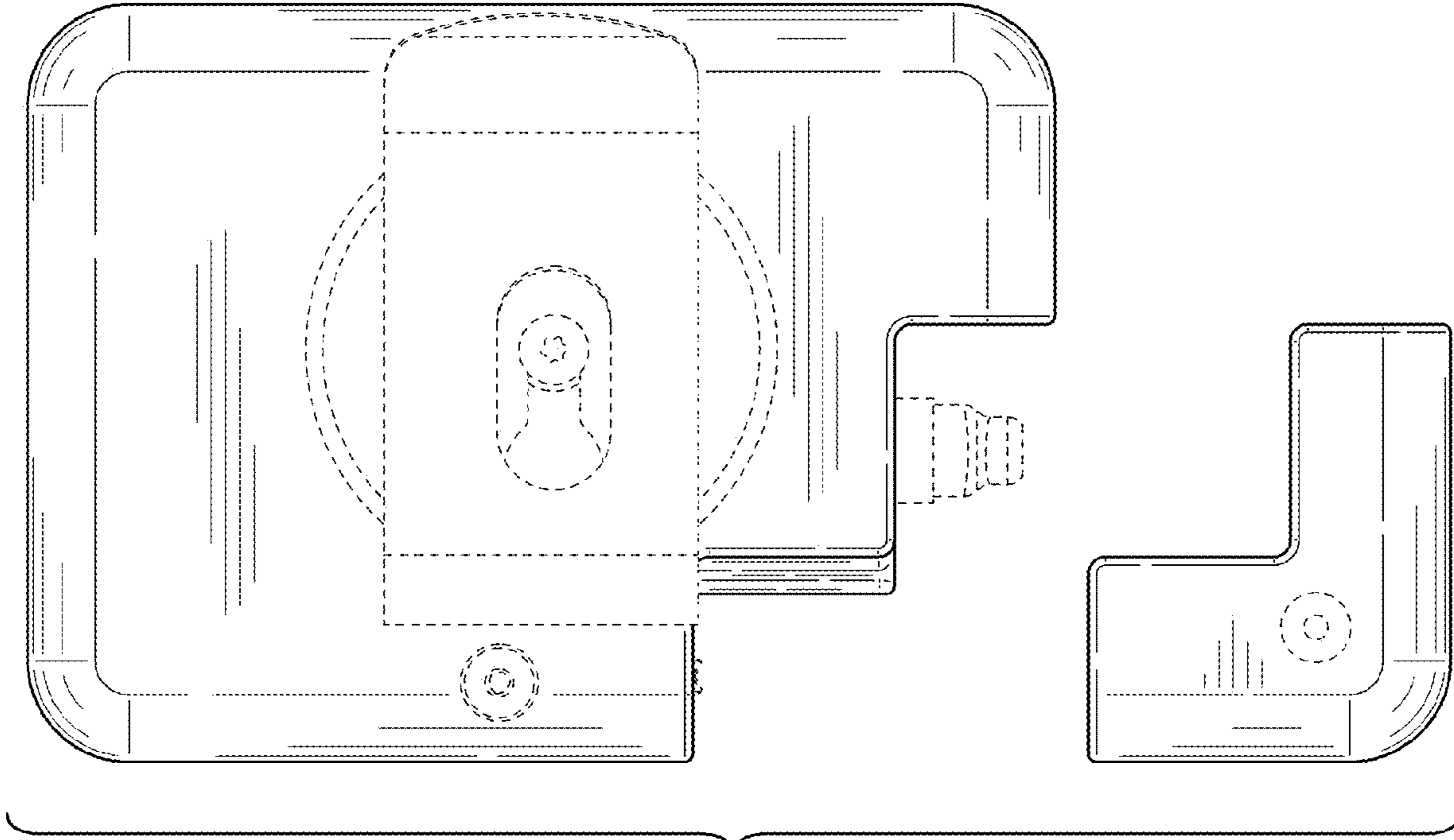


FIG. 10

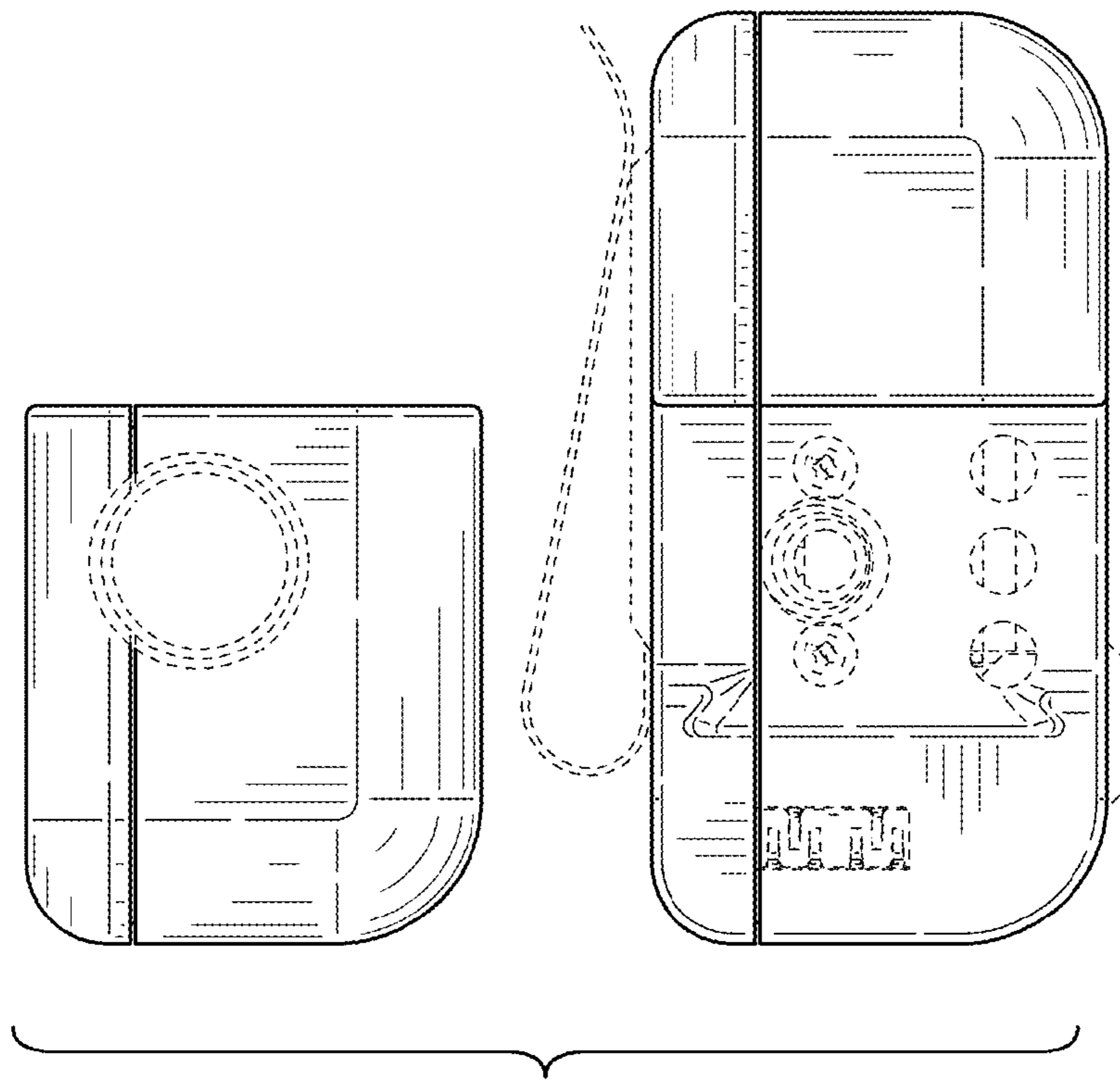


FIG. 11

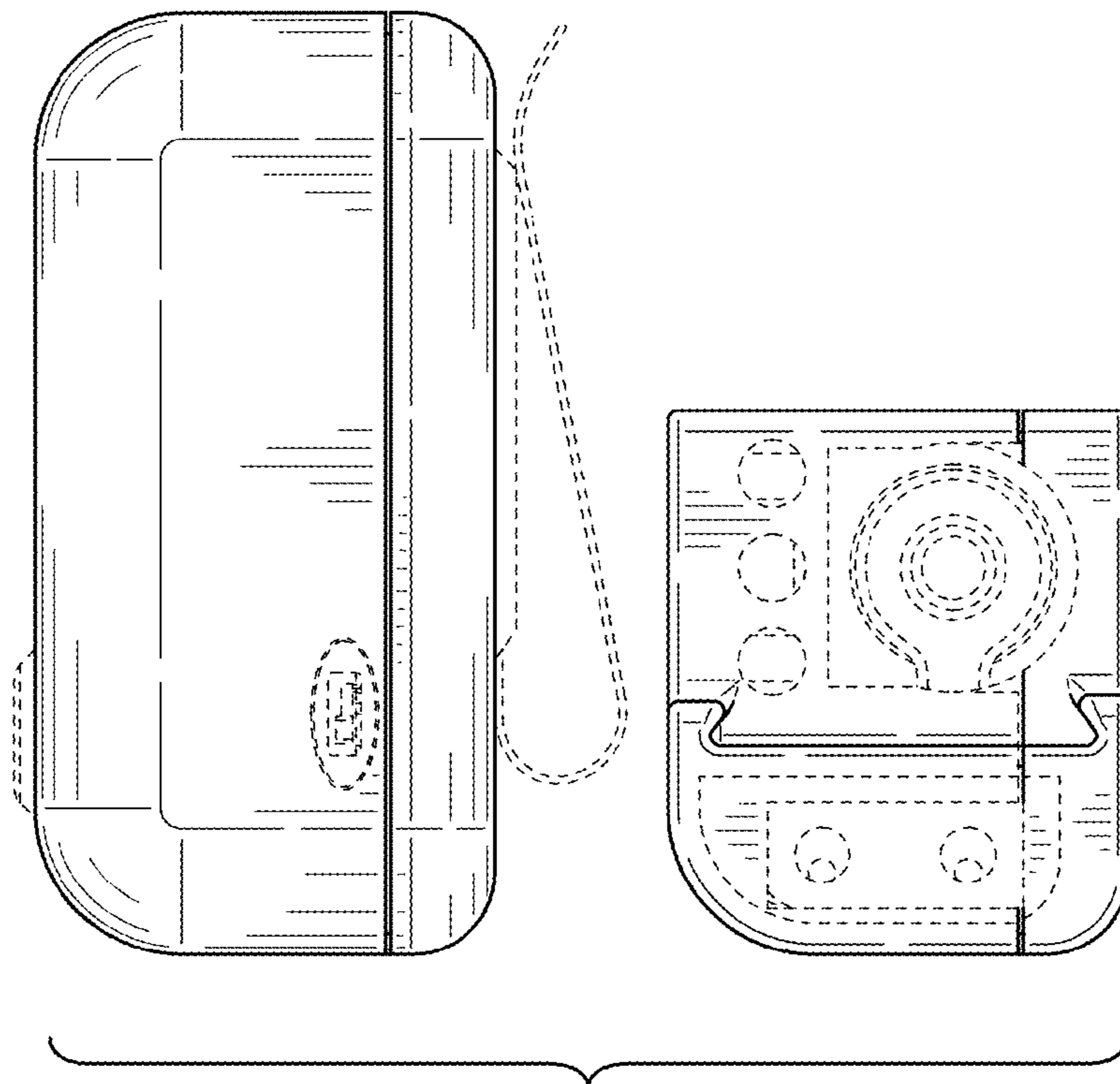


FIG. 12

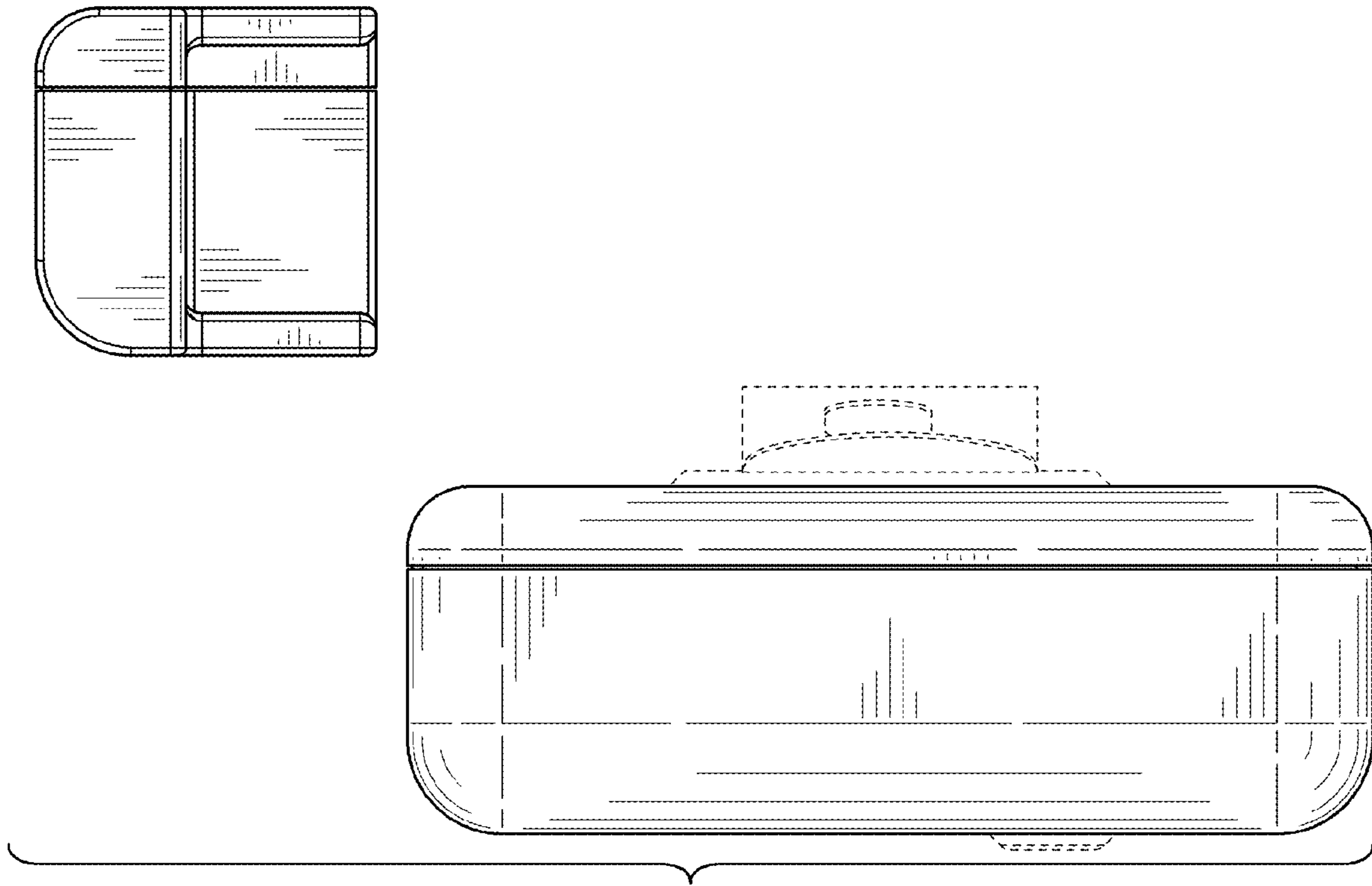


FIG. 13

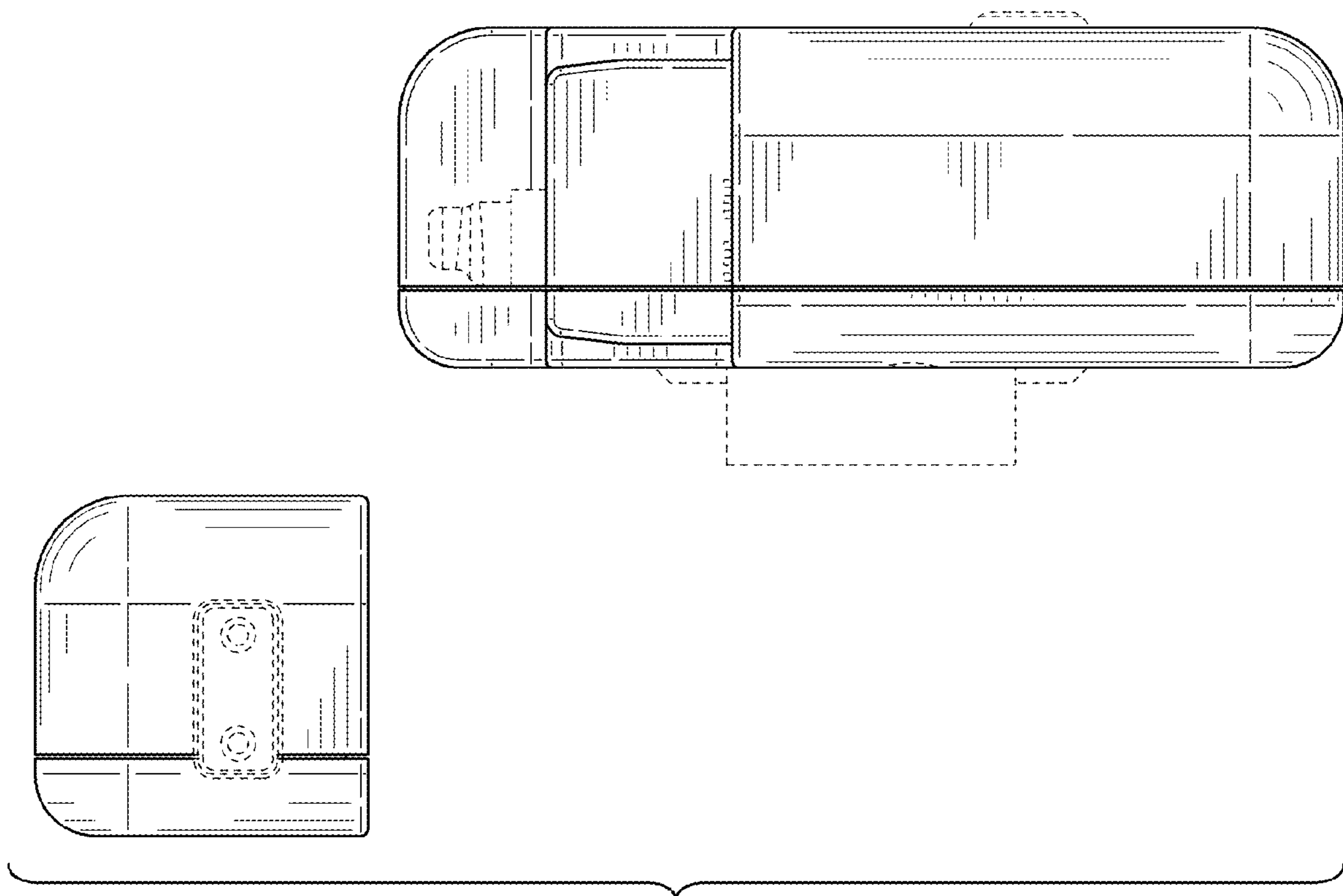


FIG. 14

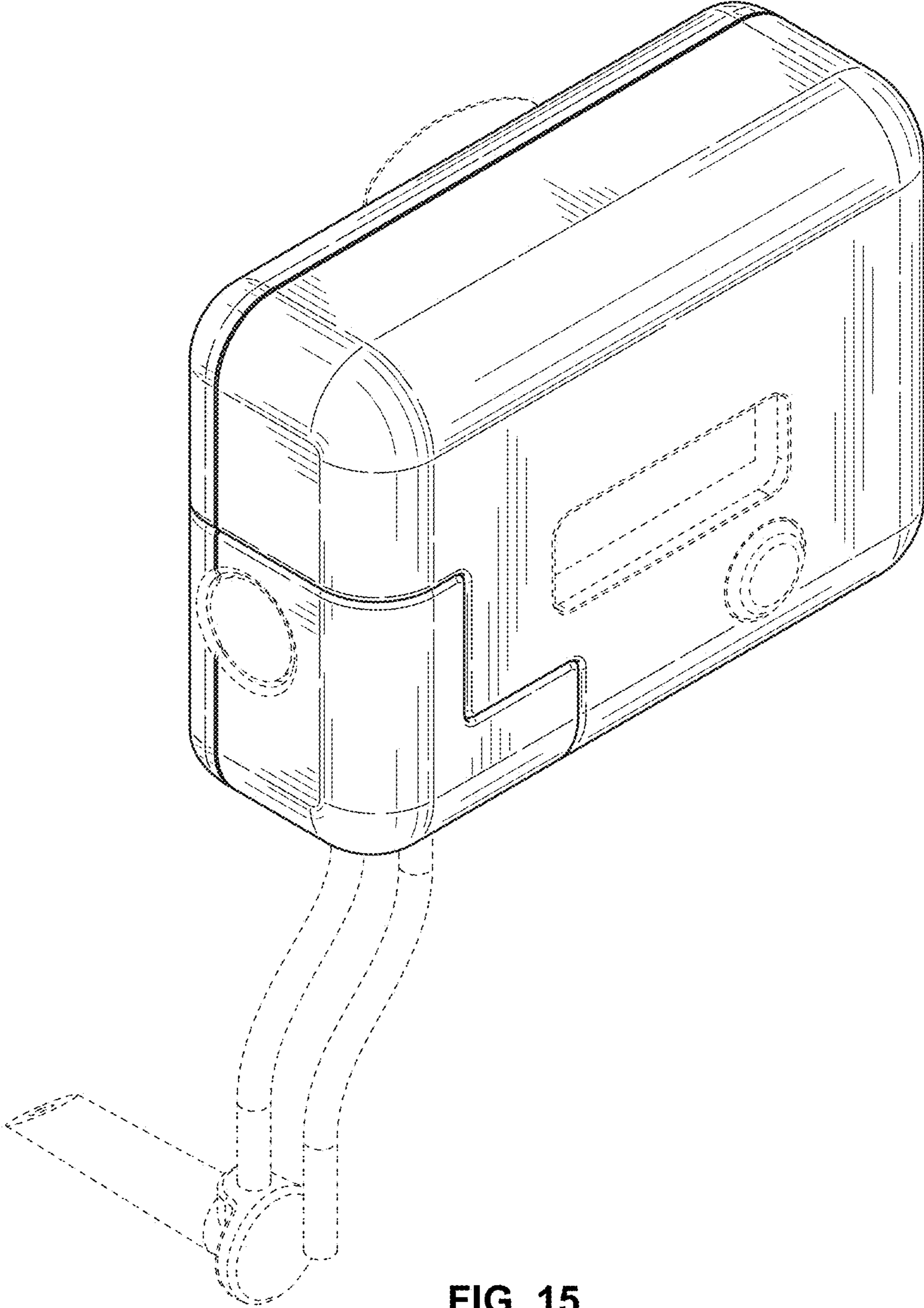


FIG. 15

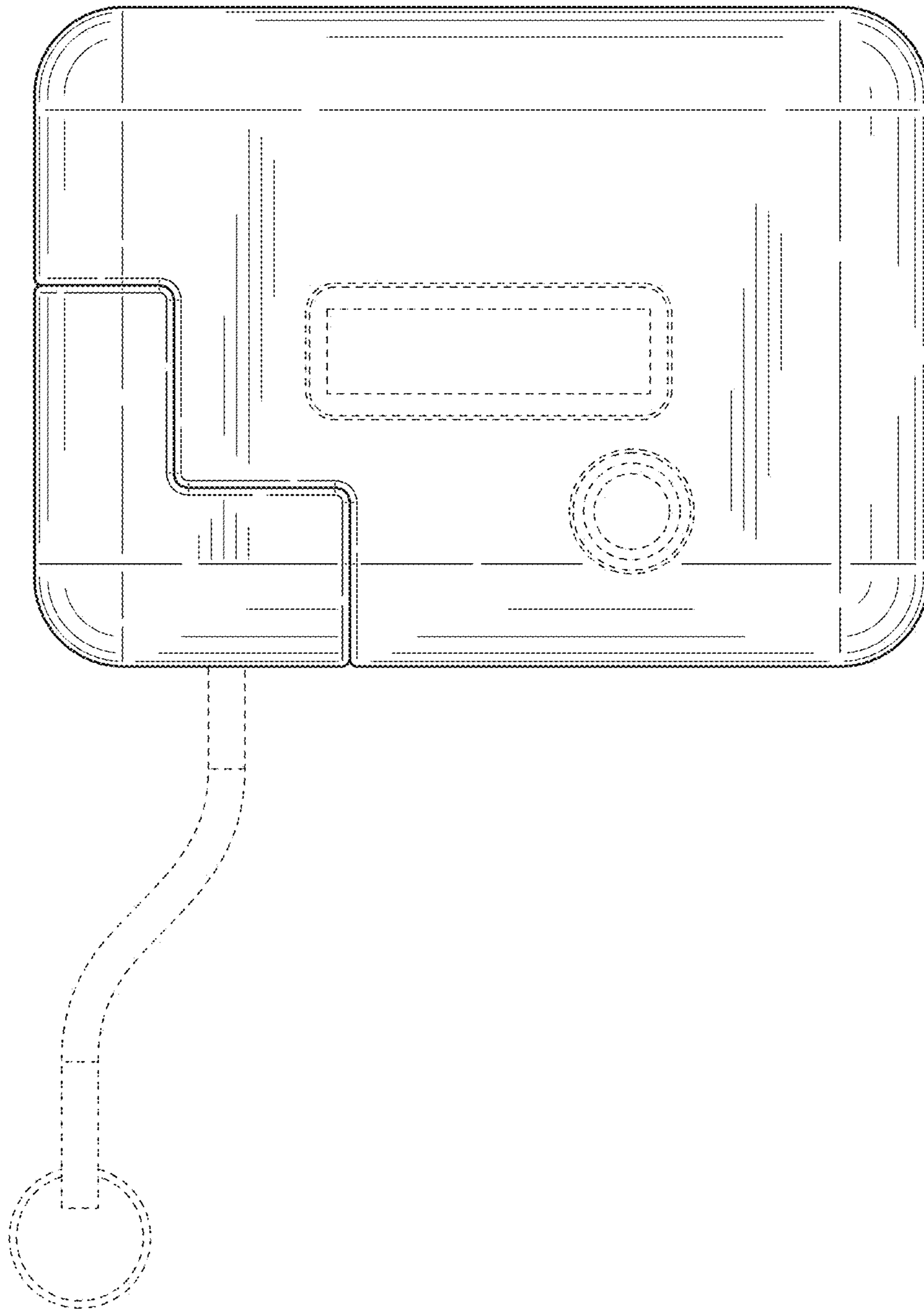


FIG. 16

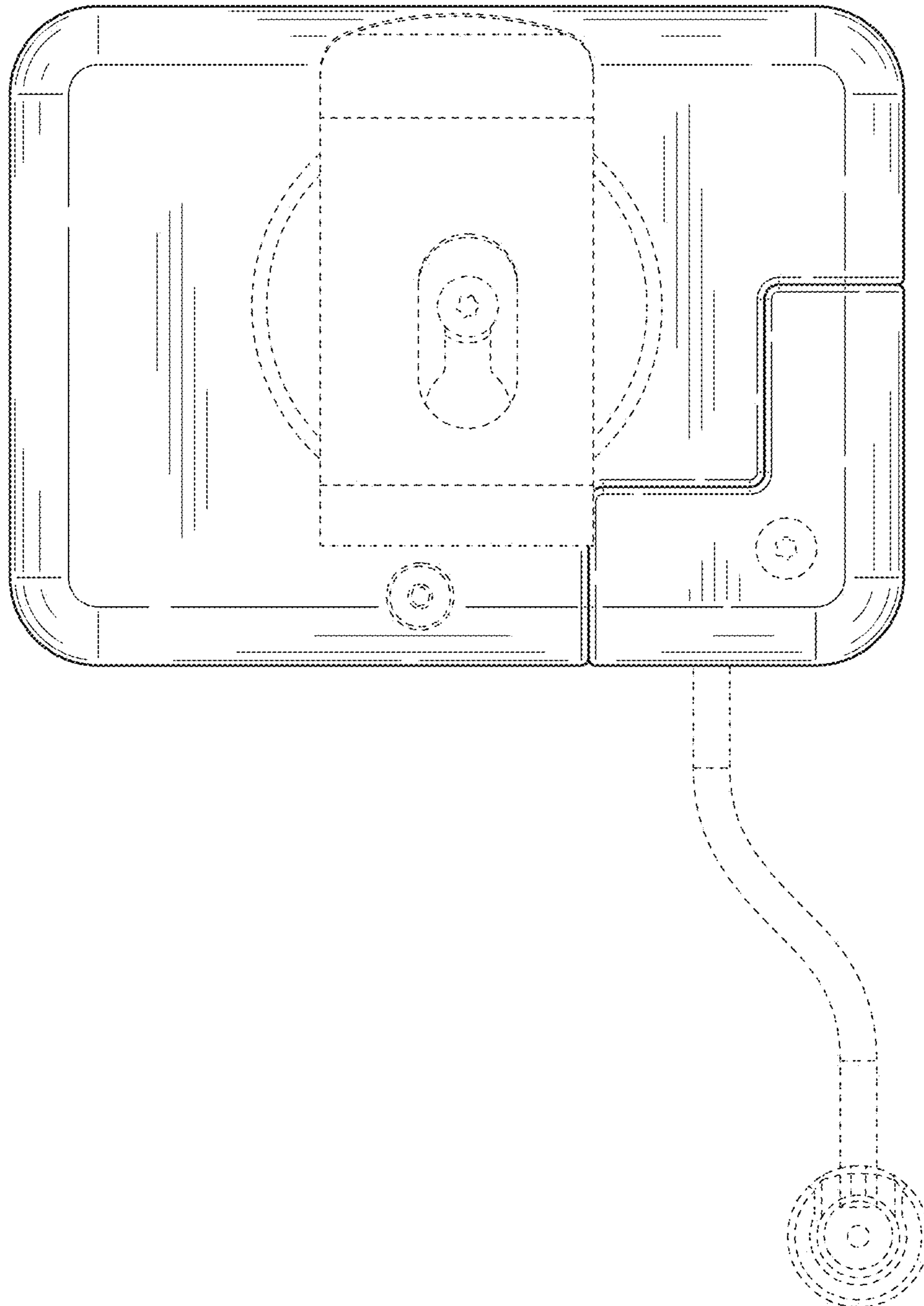


FIG. 17

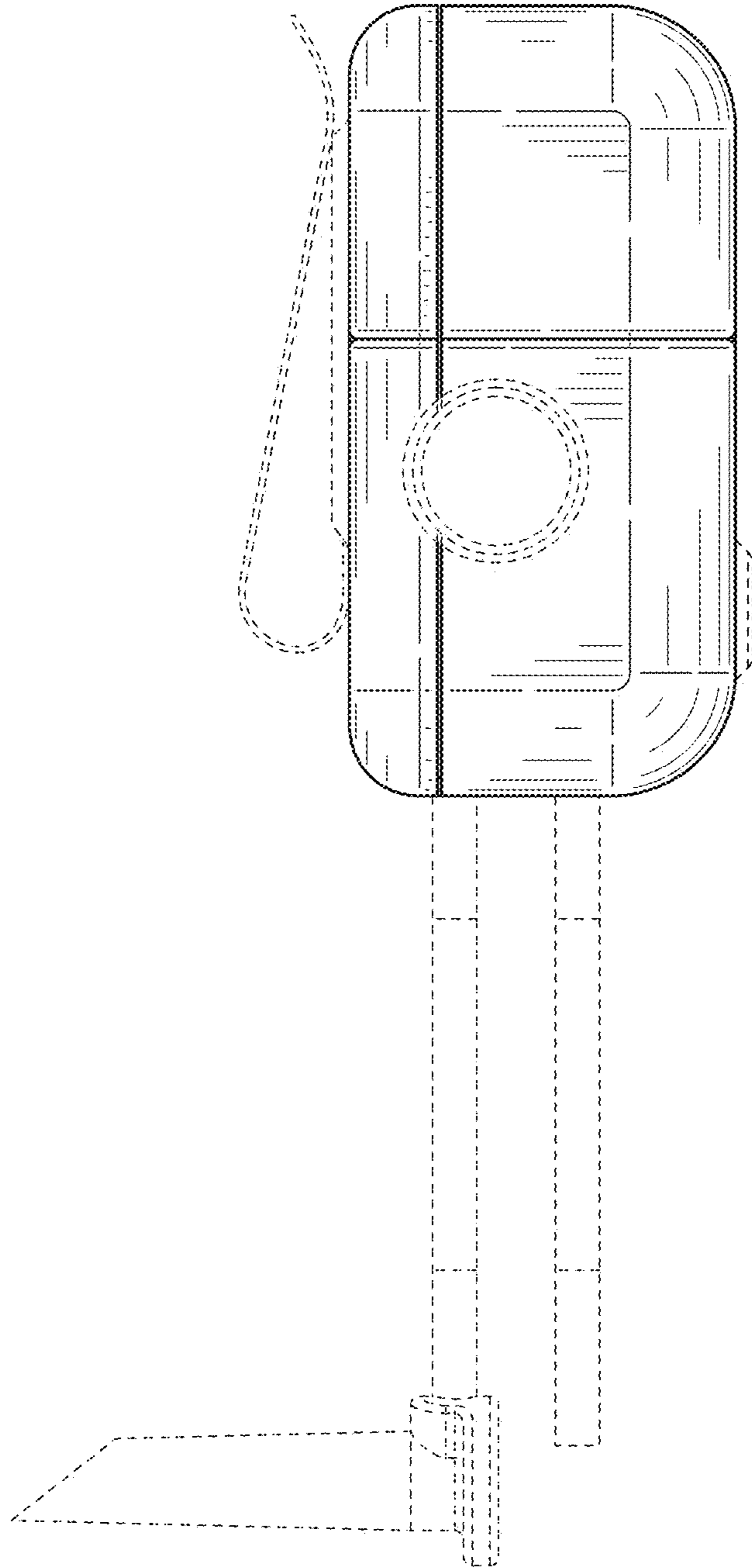


FIG. 18

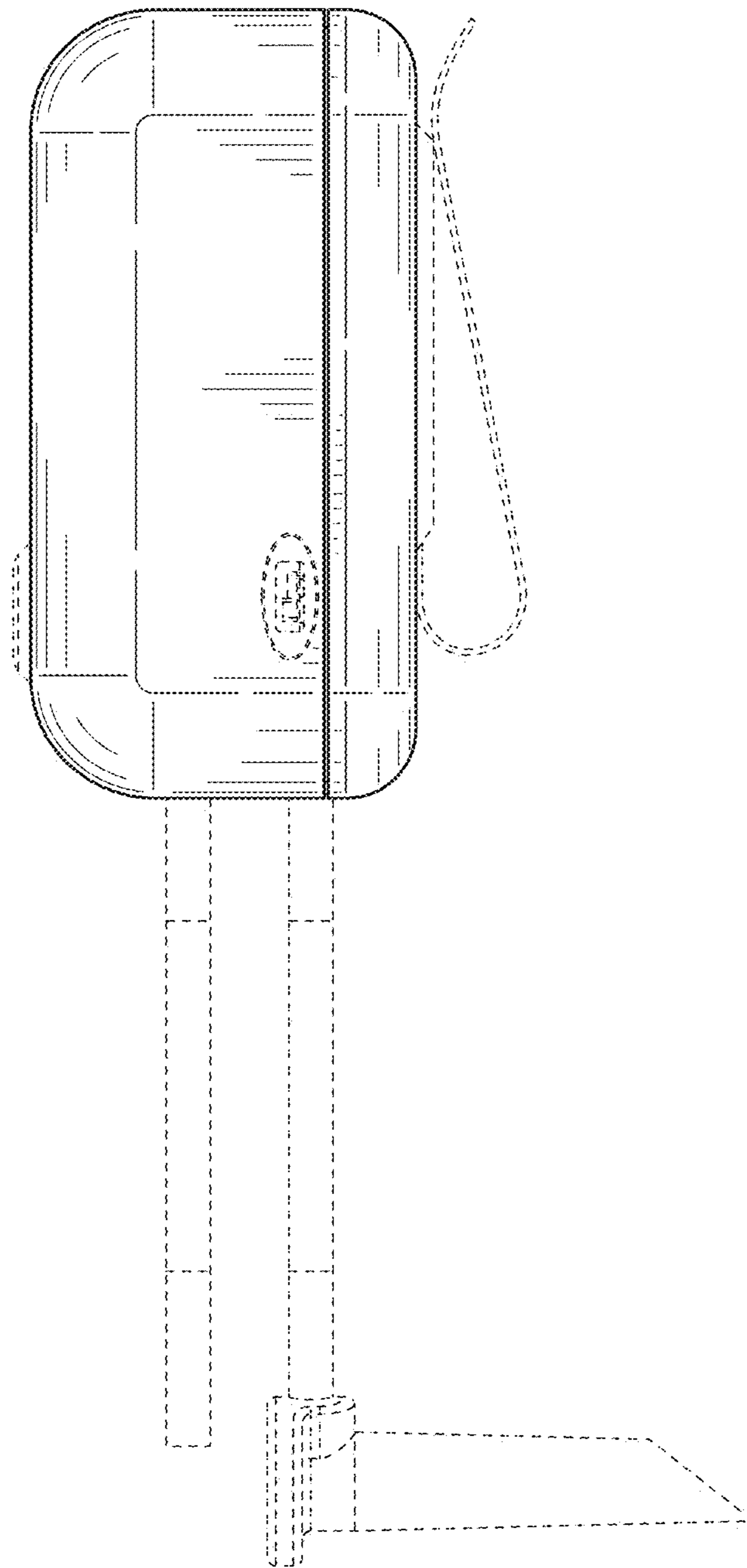


FIG. 19

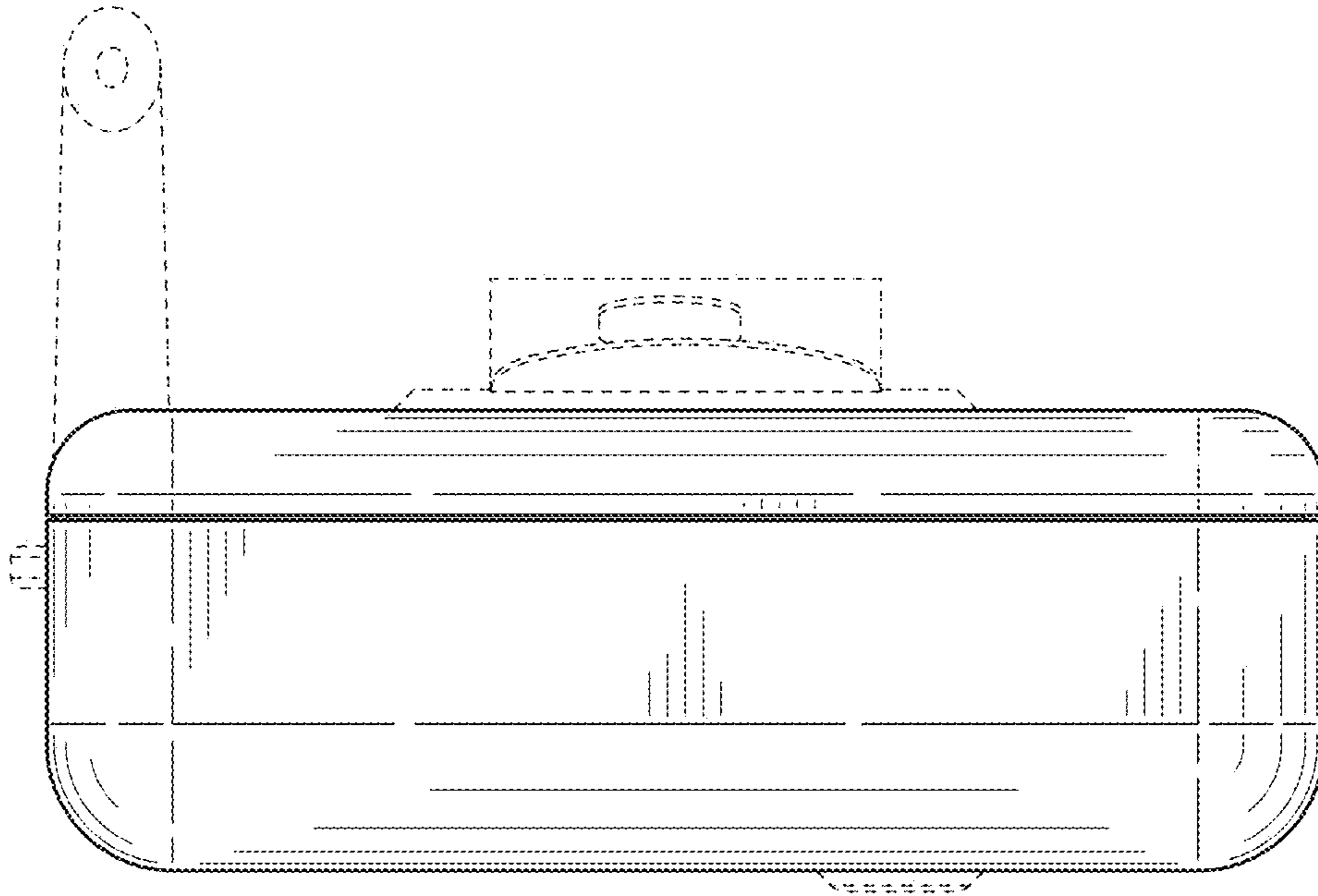


FIG. 20

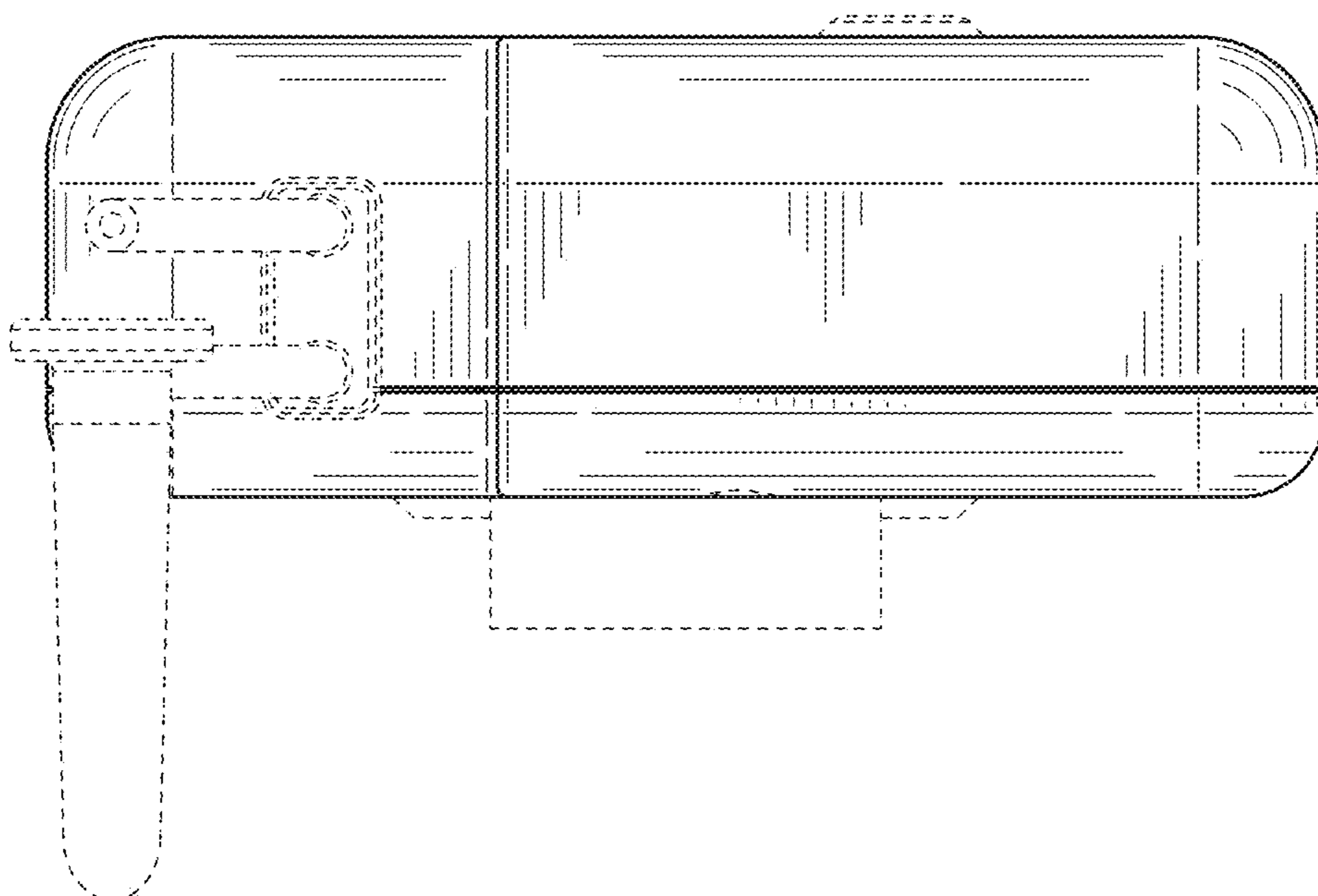


FIG. 21