

US00D963153S

(12) **United States Design Patent**
Horie et al.

(10) **Patent No.:** **US D963,153 S**
(45) **Date of Patent:** **** Sep. 6, 2022**

- (54) **CASING FOR BLOWER**
- (71) Applicant: **Mitsubishi Electric Corporation**,
Tokyo (JP)
- (72) Inventors: **Ryo Horie**, Tokyo (JP); **Takuya Teramoto**, Tokyo (JP); **Takahiro Iinuma**, Tokyo (JP)
- (73) Assignee: **Mitsubishi Electric Corporation**,
Tokyo (JP)
- (**) Term: **15 Years**
- (21) Appl. No.: **29/757,251**
- (22) Filed: **Nov. 4, 2020**
- (30) **Foreign Application Priority Data**
Jul. 31, 2020 (JP) 2020-015964 D
- (51) **LOC (13) Cl.** **23-03**
- (52) **U.S. Cl.**
USPC **D23/411; D23/383**
- (58) **Field of Classification Search**
USPC D23/370, 381, 382, 383, 386, 387, 393,
D23/411, 412; D32/15
CPC .. F04D 29/4226; F04D 29/281; F04D 29/441;
F04D 25/06; F04D 25/08; F04D 25/082
See application file for complete search history.

- (56) **References Cited**
U.S. PATENT DOCUMENTS
2,329,696 A * 9/1943 Chester F04D 29/282
416/232
2,661,894 A * 12/1953 Stevenson F04D 29/626
417/353
3,390,832 A * 7/1968 Mullings F04D 29/626
417/352
3,407,995 A * 10/1968 Kinsworthy F04D 29/441
415/206
3,627,442 A * 12/1971 Brandt F04D 29/424
415/206

- 3,809,504 A * 5/1974 Goossens F04D 25/084
415/206
 - D308,417 S * 6/1990 Belanger D23/383
 - D593,192 S * 5/2009 Spaggiari D23/370
 - D609,323 S * 2/2010 Spaggiari D23/370
 - D669,571 S * 10/2012 Penlesky D23/393
- (Continued)

FOREIGN PATENT DOCUMENTS

JP 1640690 S 9/2019

OTHER PUBLICATIONS

Ryo Horie et al., U.S. Appl. No. 29/694,038, filed Jun. 6, 2019, which corresponds to Japanese Design Registration No. 1640690.

Primary Examiner — Sharon S Oum
(74) *Attorney, Agent, or Firm* — Studebaker & Brackett PC

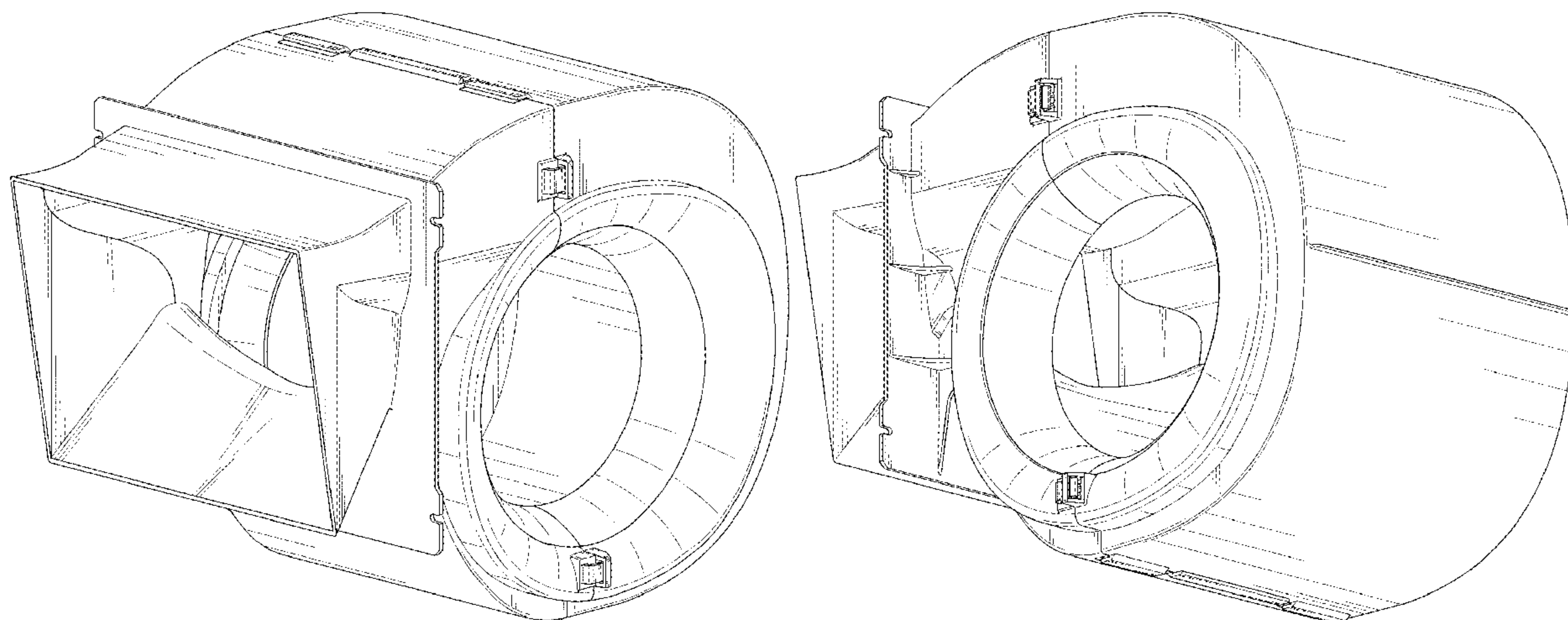
(57) **CLAIM**

The ornamental design for a casing for blower, as shown and described.

DESCRIPTION

FIG. 1. is a first perspective view of the front, left, and top sides of a casing for blower showing our new design;
FIG. 2. is a second perspective view of the front, right, and bottom sides thereof;
FIG. 3. is a front view thereof; a rear view being a mirror image thereof;
FIG. 4. is a left side view thereof;
FIG. 5. is a right side view thereof;
FIG. 6. is a top plan view thereof;
FIG. 7. is a bottom view thereof;
FIG. 8. is a cross-sectional view taken along line 8-8 of FIG. 3; and,
FIG. 9. is a cross-sectional view taken along line 9-9 of FIG. 4.

1 Claim, 9 Drawing Sheets



(56)

References Cited

U.S. PATENT DOCUMENTS

8,578,727 B2 * 11/2013 Tsutsumi F24F 11/30
62/223
9,160,209 B2 * 10/2015 Feld F24C 15/2042
D742,498 S * 11/2015 Zakula D23/386
D754,835 S * 4/2016 Uehara D23/371
D764,651 S * 8/2016 Zakula D23/386
D775,720 S * 1/2017 Liu D23/370
D831,817 S * 10/2018 Pirouzpanah D23/383
10,302,096 B2 * 5/2019 Kang F04D 29/281
10,323,853 B2 * 6/2019 Zakula F04D 29/4226
10,641,284 B2 * 5/2020 Pirouzpanah F04D 25/08
10,718,351 B2 * 7/2020 Kono F04D 29/4226
10,895,266 B2 * 1/2021 Pirouzpanah F04D 29/462
D938,570 S * 12/2021 Horie D23/370
D938,571 S * 12/2021 Michikami D23/370
D944,966 S * 3/2022 Horie D23/370
2012/0009059 A1 * 1/2012 Okamoto F04D 29/441
415/224
2017/0051749 A1 * 2/2017 Cho F04D 27/006
2019/0242612 A1 * 8/2019 Teramoto F24F 1/0033
2019/0376522 A1 * 12/2019 Liu F04D 29/422
2020/0318887 A1 * 10/2020 Tsutsumi F25D 21/14
2021/0033104 A1 * 2/2021 Teramoto F04D 29/4226
2021/0108828 A1 * 4/2021 Linares F04D 29/584
2021/0140445 A1 * 5/2021 Teramoto F04D 29/4226
2021/0388847 A1 * 12/2021 Hayashi F24F 7/007
2022/0106968 A1 * 4/2022 Teramoto F04D 29/4213

* cited by examiner

Fig.1

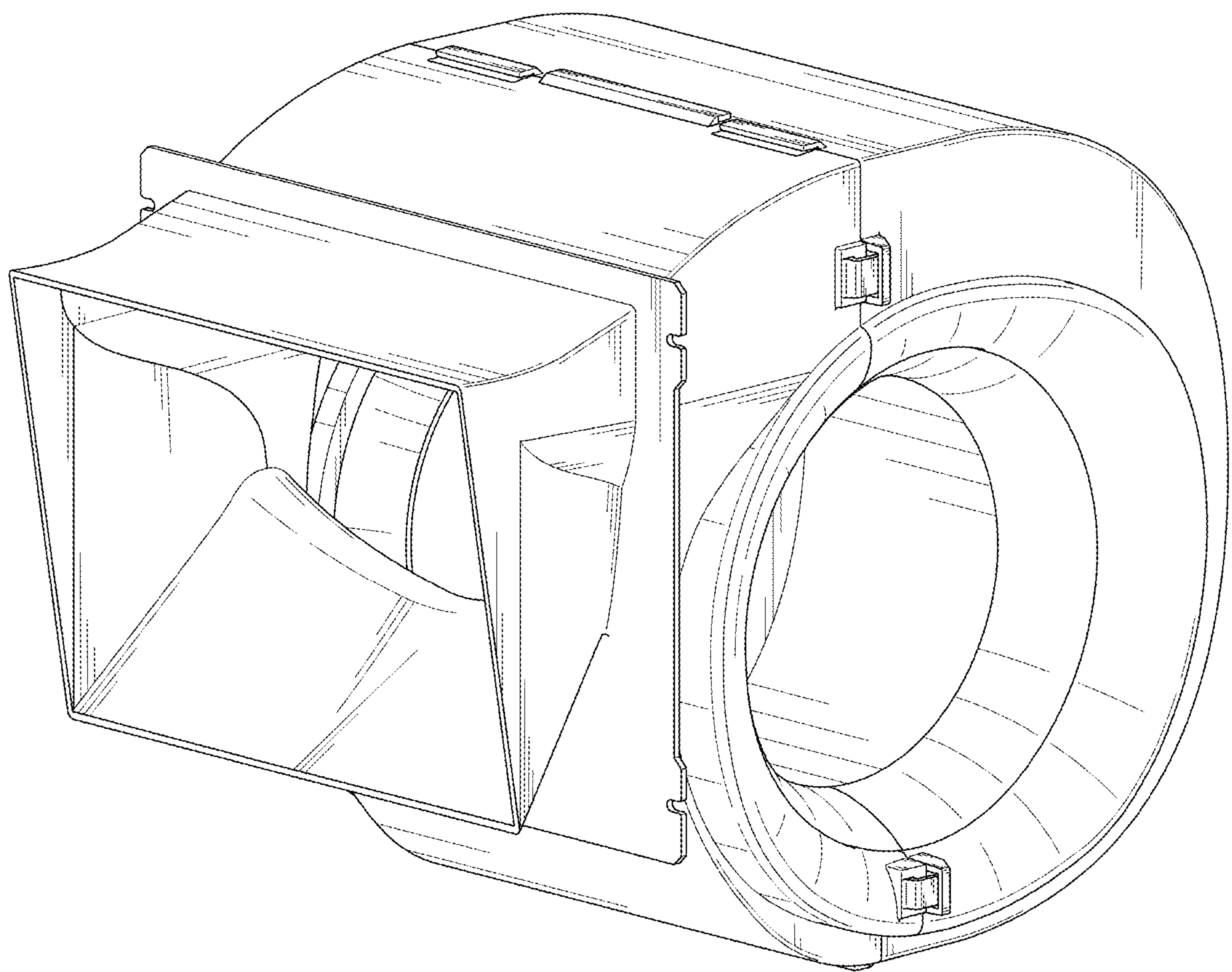


Fig.2

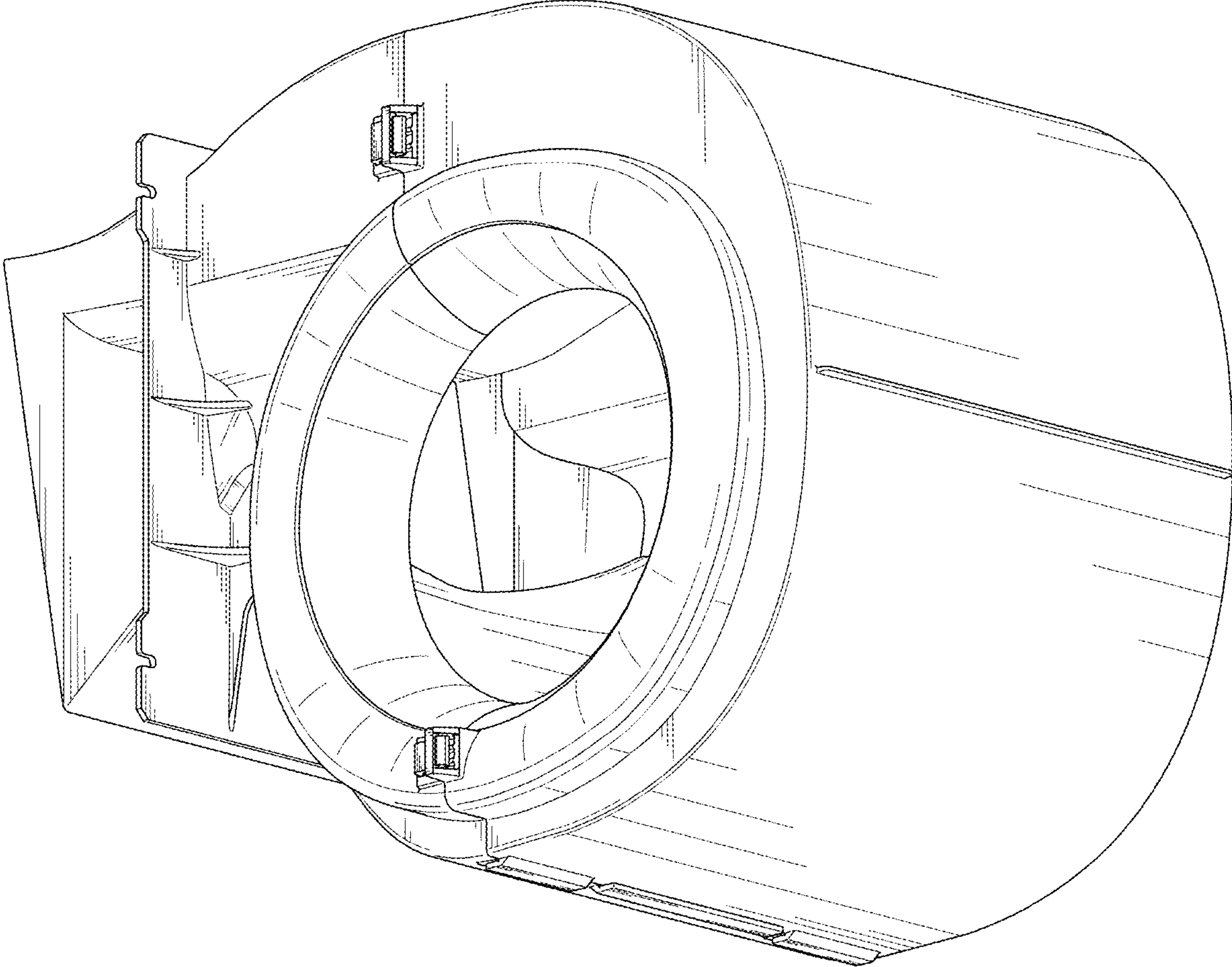


Fig.3

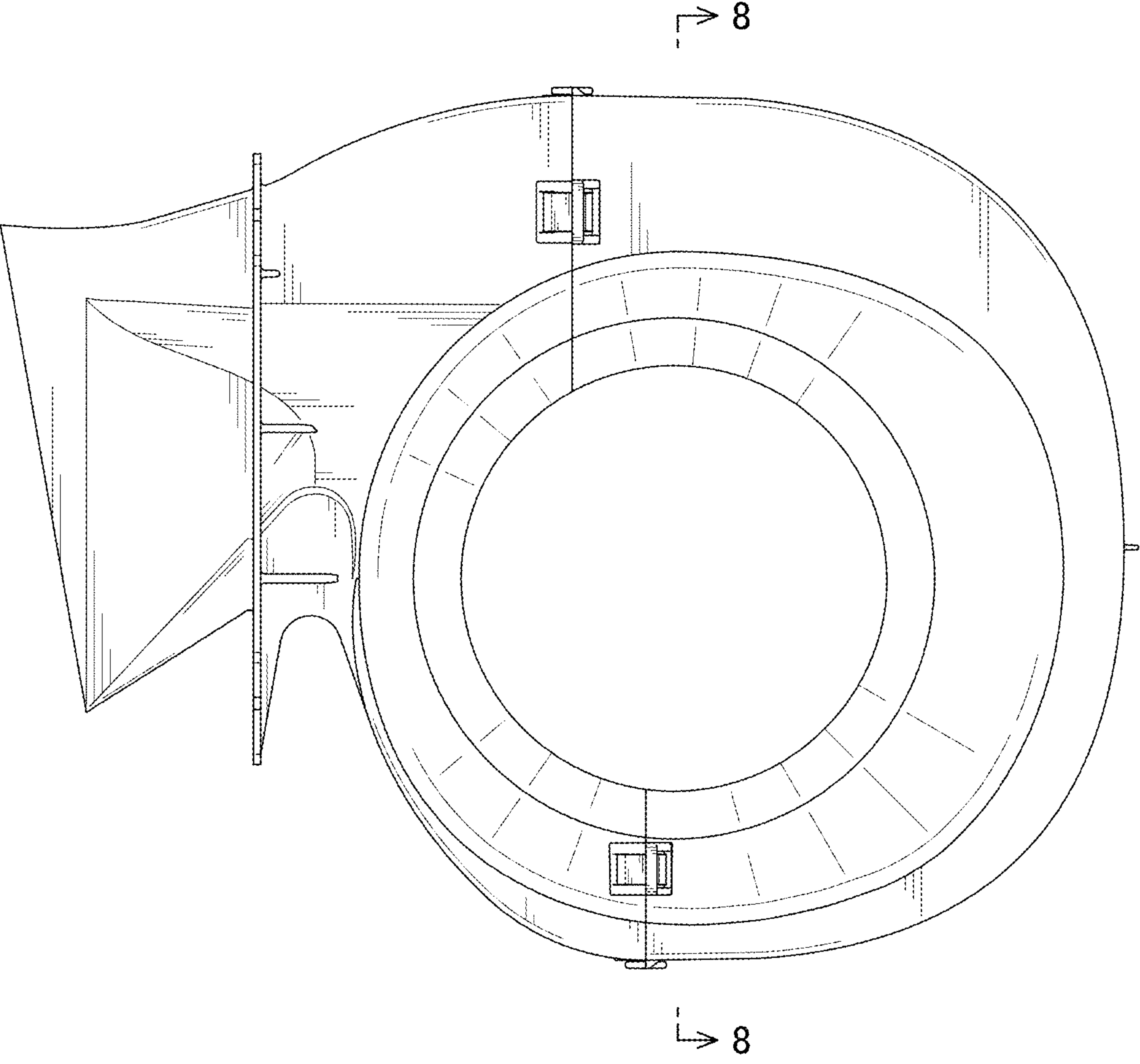


Fig.4

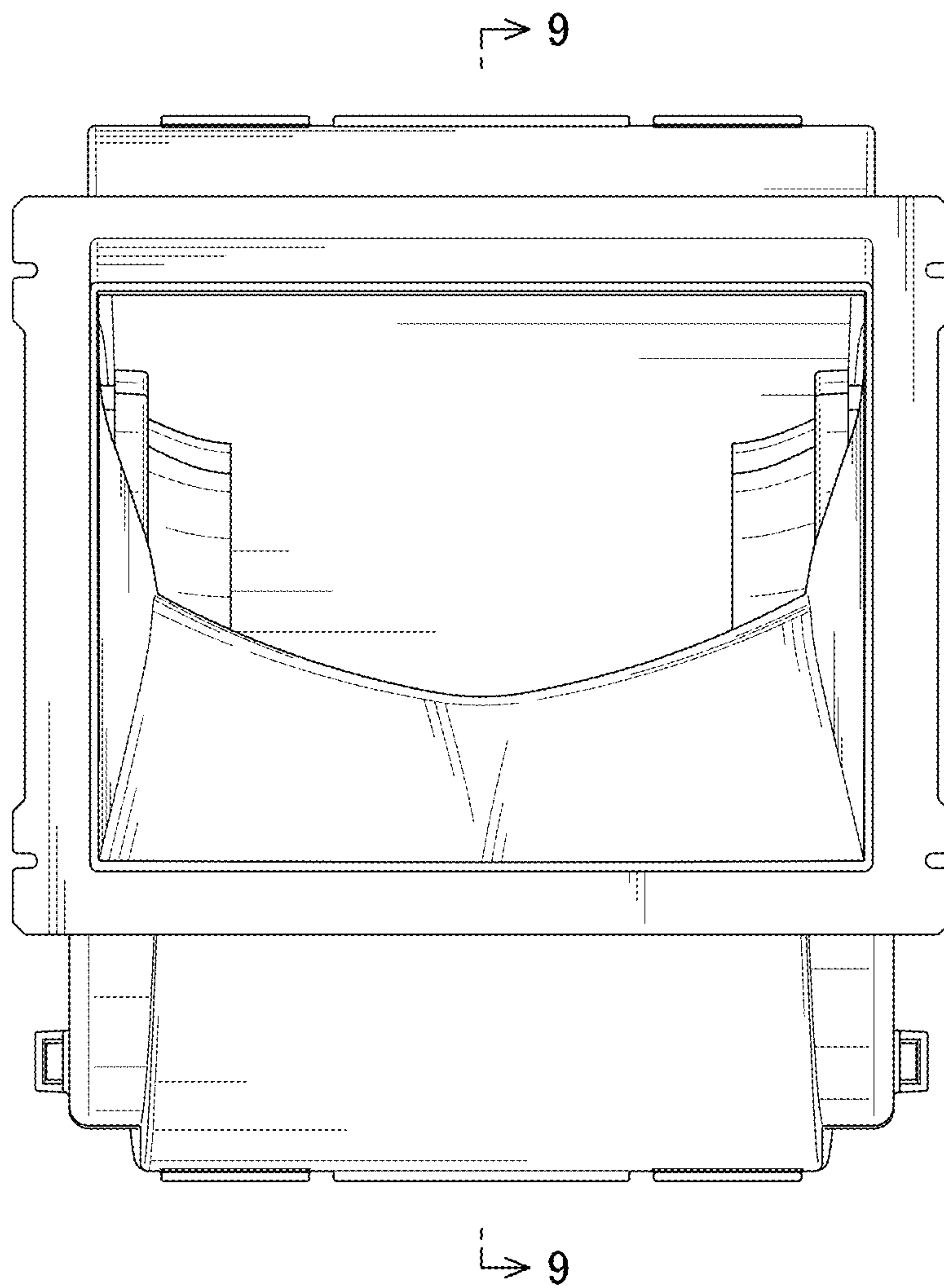


Fig.5

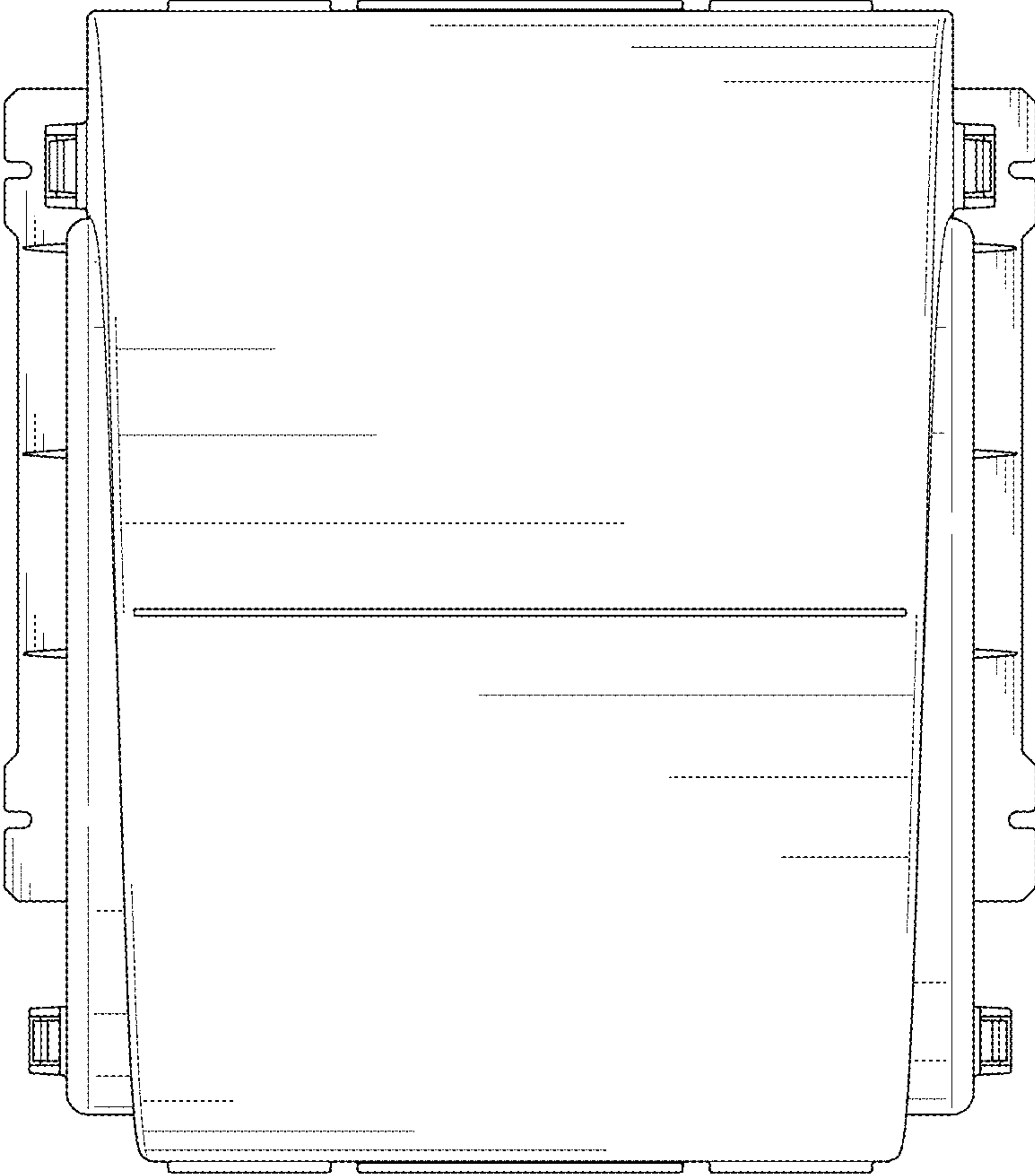


Fig.6

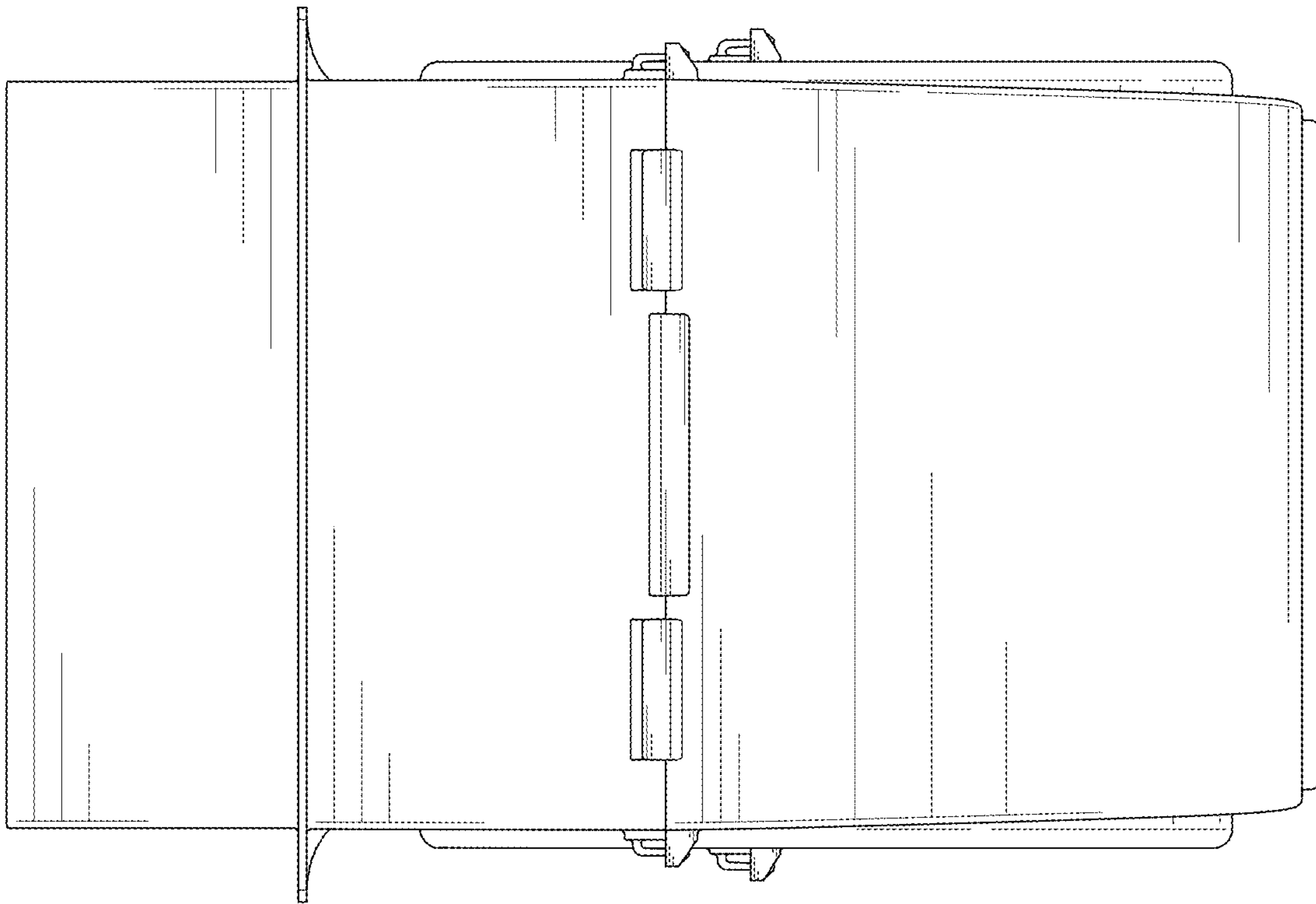


Fig.7

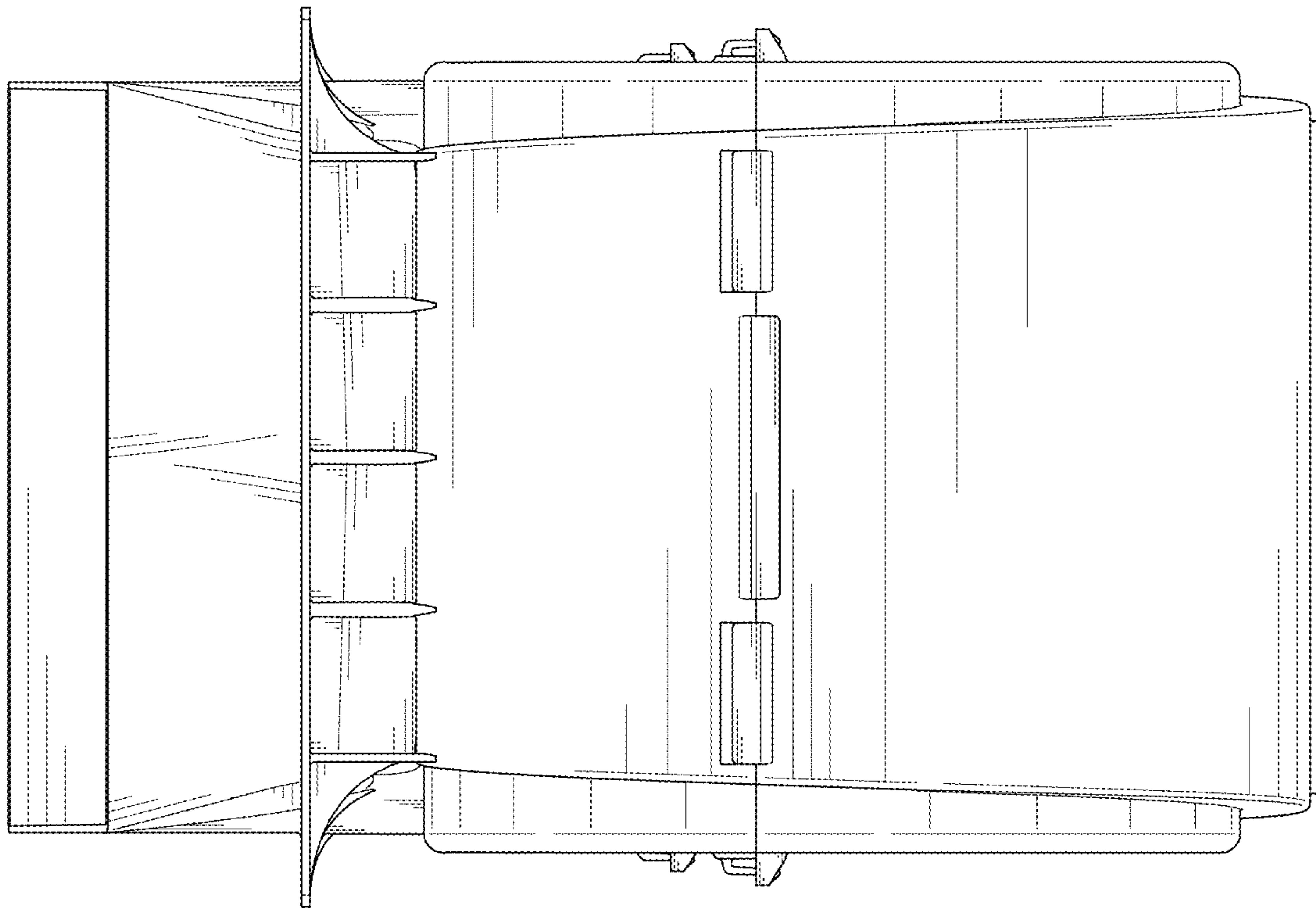


Fig.8

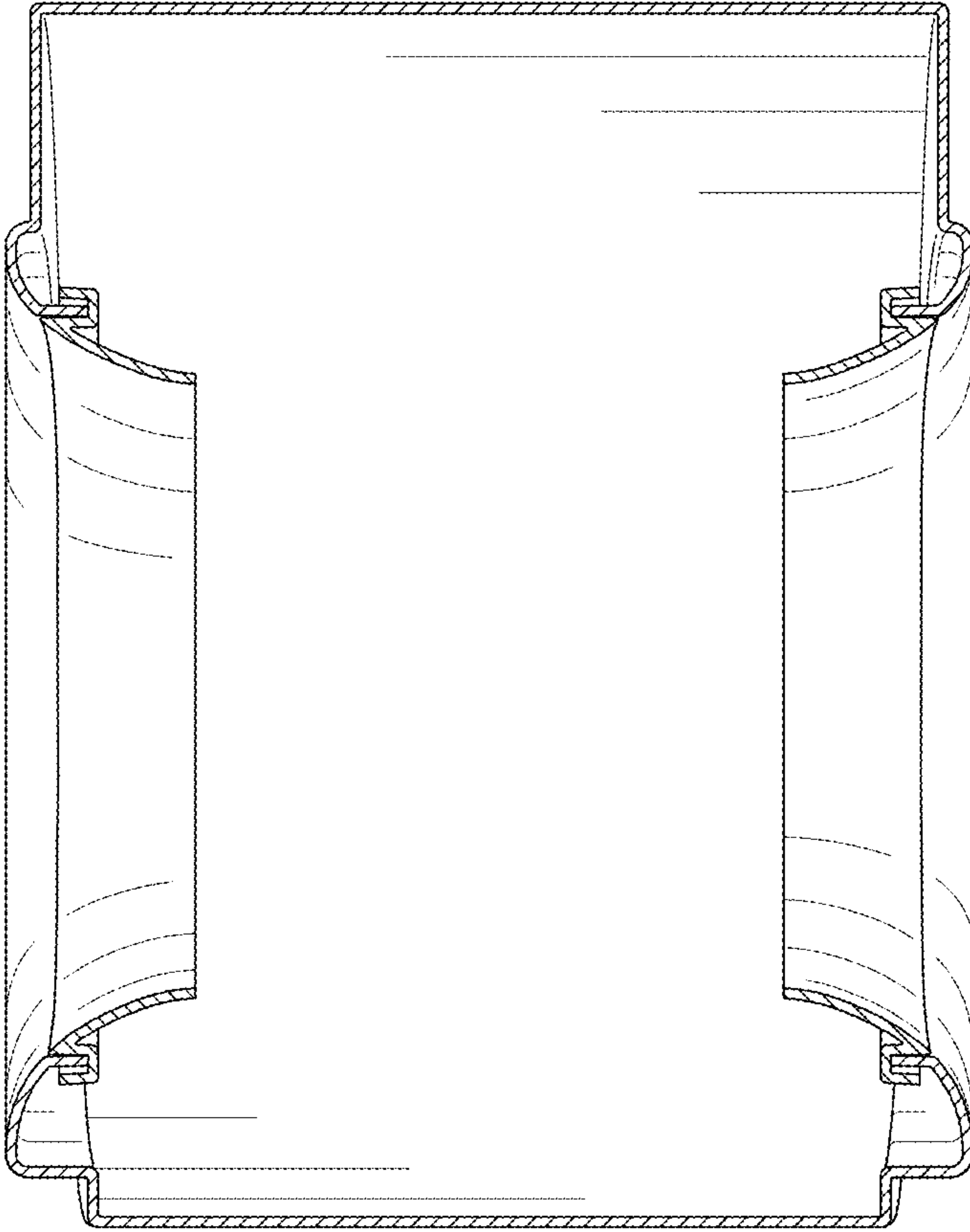


Fig.9

